

RevHD

Moves the Most Snow. Period.

SERIES 2

Fits 3/4 Ton to Class 5 Trucks

You **MUST** see your retailer or check online application guide for current truck application information

No other plow on the market does what the Series 2 Revolution™ HD snowplow can do. It moves the most snow due to its size, fully controllable wings, and our patented Down Pressure® Hydraulic System which increases snow removal efficiency by 30%.

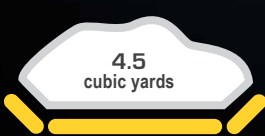


Reactive DownPressure® Hydraulics System

- Scrapes clean forward and back dragging
- Increases snow-moving efficiency 30%
- Follows terrain automatically

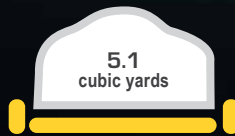


MAXIMUM SNOW MOVING CAPACITY



4.5 cubic yards

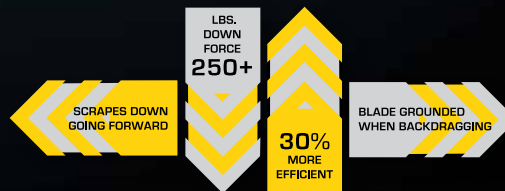
RevHD at 45° Angle



5.1 cubic yards

RevHD at 90° Angle

DOWNPRESSURE® STANDARD

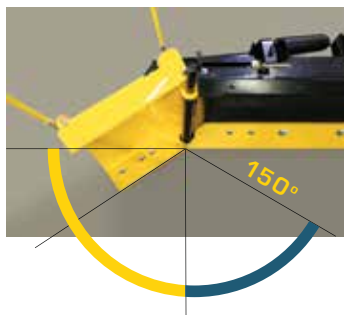


FEATURES

RevHD SERIES 2 SPECS



Moving snow has never been easier than with a RevHD Series 2 plow. Blade & wing configurations are at your control — positioning is limitless!



Patented double plow wings that pivot independently up to 150° allows plowers to turn their machines from a straight plow to a box plow (and everything in between). Most plowers see their plowing time cut in half!

■ Series 2 Package

- LED Thermosensitive heated Lights
- ProControl™ 2 Plus (controls plow & lights)
- Upgraded Hydraulics Package
- Outboard Mount Stand
- Complete Fleet 2-Plug Connection System
- ESS® — Energy Smart System

■ Patented Ground Hugger™ Blade Design

■ Pre-Drilled Top Blade Rail

- Allows for E-Z Installation of E-Z Fit Deflector

■ 150° Hydraulic Wing Rotation

- Infinite Snow Moving Adjustability
- Blade and wings stay parallel to the ground

** Option Up With Smart Sight® and Smart Flash® **

Blade Width	10'0"
30° Plowing Width	104"
Box Plow Width	105"
Blade Height	29"
Blade Thickness	12 Gauge
Cutting Edge (Proprietary Steel)	1/2" x 6"
Vertical Ribs	6
Trip Springs: Extension	2
Plow Shoes	Optional
LED Lights Thermosensitive Heated	Standard
Energy Smart System (ESS®) Technology	Standard
Drive-in Mount	Standard
Paint: Triple Coat Protection	Standard
Shock Killer™ System	Standard
FlexForce Frame	Standard
DownPressure® Hydraulic System	Standard
Wireless ProControl™ 2 Plus	Optional
Weight	865 lbs.*

* Plow weight does not include weight of vehicle mount



The wired or wireless ProControl™ 2 Plus allows for easy one-touch button control.

