

26R

A revolutionary plow for half-ton trucks

SERIES 2

Fits 1/2 Ton Trucks

You **MUST** see your retailer or check online application guide for current truck application information

With our patented independently controlled hydraulic wings, the 26R Series 2 converts your truck into a snow moving machine, by providing more snow moving capability and flexibility than any other plow in the industry.



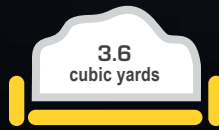
Independent Hydraulic Wings

- Up to 90° rotation
- From straight to angled in seconds

MAXIMUM SNOW MOVING CAPACITY

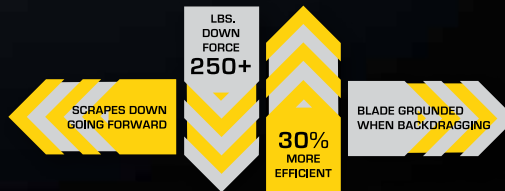


26R at 45° Angle



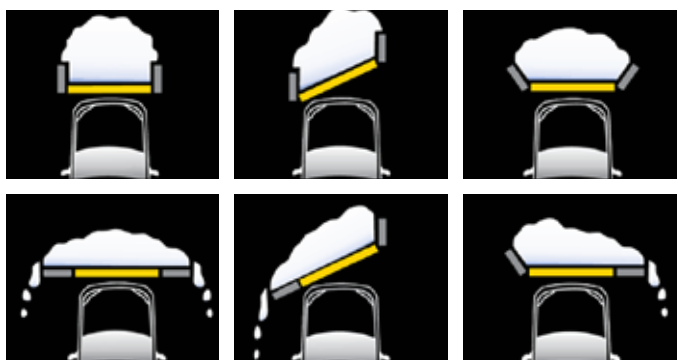
26R at 90° Angle

DOWNPRESSURE® STANDARD

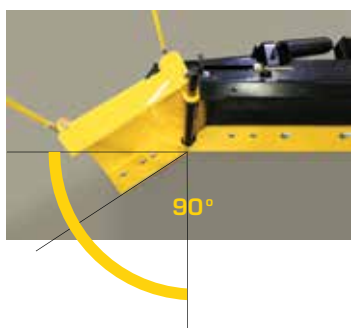


FEATURES

26R SERIES 2 SPECS



Moving snow has never been easier than with a 26R-Series 2 plow. Blade and wing configurations are at your control — positioning is virtually limitless!



Each wing can be moved from a straight out position into a 90° orientation to the main blade

Series 2 Package

- LED Thermosensitive heated Lights
- ProControl™ 2 Plus (controls plow & lights)
- Upgraded Hydraulics Package
- Outboard Mount Stand
- Complete Fleet 2-Plug Connection System
- ESS® — Energy Smart System

Patented Ground Hugger™ Blade Design

- Keeps plow on the ground

Pre-Drilled Top Blade Rail

- Allows for E-Z Installation of E-Z Fit Deflector

90° Hydraulic Wing Rotation

- Infinite Snow Moving Adjustability
- Blade and wings stay parallel to the ground

**** Option Up With Smart Sight® and Smart Flash® ****

Blade Width	8'0"
30° Angle Plowing Width	83"
Box Plow Width	84"
Blade Thickness	12 Gauge
Blade Height	26"
Cutting Edge Proprietary Steel3/8" x 6"
Vertical Ribs	5
Trip Springs: Extension	2
Plow Shoes	Optional
LED Lights Thermosensitive Heated	Standard
Energy Smart System (ESS®) Technology	Standard
Drive-in Mount System	Standard
Paint: Triple Coat Protection	Standard
Shock Killer™ System	Standard
FlexForce Frame	Standard
Down Pressure® Hydraulic System	Standard
Wireless ProControl™ 2 Plus	Optional
Weight	590 lbs.*

* Plow weight does not include weight of vehicle mount



The wired or wireless ProControl™ 2 Plus allows for easy one-touch button control.

