

# 29R

The Ultimate Snow Moving Machine

## SERIES 2

**3/4 Ton** F-250, Ram 2500, 2500 Sierra, 2500 Silverado

**1 Ton** F-350, Ram 3500, 3500 Sierra, 3500 Silverado

*You MUST see your retailer or check online application guide for current truck application information*

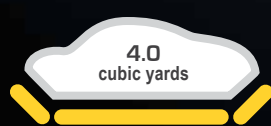
The 29R stands out from the crowd with the greatest possible snow moving flexibility and capacity for your plow truck. No more machine limitations!



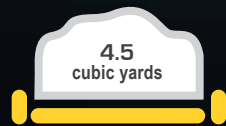
**Patented Shock Killer™  
Trip Return System**

- Reduces Return Shock to Truck and Driver

### MAXIMUM SNOW MOVING CAPACITY

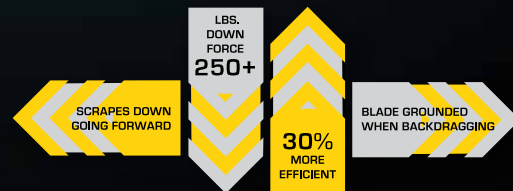


29R at 45° Angle

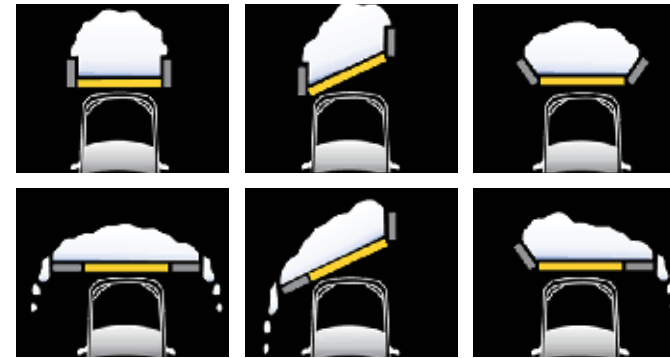


29R at 90° Angle

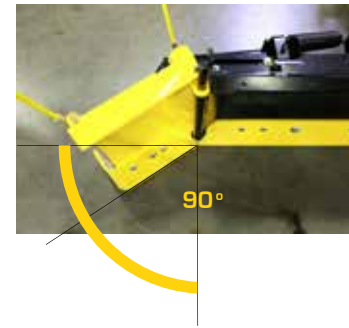
### DOWNPRESSURE® STANDARD



## FEATURES



Moving snow has never been easier than with a 29R-Series 2 plow. Blade and wing configurations are at your control — positioning is virtually limitless!



The 29R is designed with patented hydraulic end wings that can be controlled together or independently to move the snow where you want it at any time. Each wing can be moved from a straight out position into a 90° orientation to the main blade — effectively creating a box plow.

### Series 2 Package

- LED Thermosensitive heated Lights
- Pro Control 2 Plus (controls plow & lights)
- Upgraded Hydraulics Package
- Outboard Mount Stand
- Complete Fleet 2-Plug Connection System
- ESS™ — Energy Smart System

### Patented Ground Hugger™ Blade Design

### Pre-Drilled Top Blade Rail

- Allows for E-Z Installation of E-Z Fit Deflector

### 90° Hydraulic Wing Rotation

- Infinite Snow Moving Adjustability
- Blade and wings stay parallel to the ground



## 29R SERIES 2 SPECS

Blade Width	8'10"
30° Angle Plowing Width	92"
Box Plow Width	93"
Blade Thickness	12 Gauge
Blade Height	29"
Cutting Edge Proprietary Steel	.3/8" x 6"
Vertical Ribs	5
Trip Springs: Extension	2
Plow Shoes	Optional
LED Lights Thermosensitive Heated	Standard
Energy Smart System™ Technology	Standard
Drive-in Mount System	Standard
Paint: Triple Coat Protection	Standard
Shock Killer™ System	Standard
FlexForce Frame	Standard
Down Pressure® Hydraulic System	Standard
Wireless Pro-Control 2 Plus	Optional
Weight	705 lbs.*

\* Plow weight does not include weight of vehicle mount



The wired or wireless Pro Control 2 Plus allows for easy one-touch button control.