

SNO-WAY®

SNOW & ICE CONTROL EQUIPMENT

ASSEMBLY & INSTALLATION INSTRUCTIONS

**VEHICLE MOUNT KIT 99101382
FOR UTV SERIES PLOW**

TO FIT
2018 & Later - Kubota RTV XG850



©2019 Sno-Way® International

97102166A



1. THINK SAFETY, ALWAYS WEAR SAFETY GLASSES WHEN PERFORMING THE OPERATIONS PRESCRIBED IN THESE INSTRUCTIONS
2. READ ALL INSTRUCTIONS CAREFULLY BEFORE ATTEMPTING INSTALLATION
3. BEFORE BEGINNING WORK MAKE SURE TO SET PARKING BRAKE AND CHOCK WHEELS



ASSEMBLY TOOLS NEEDED

Impact Sockets	9/16", M10-M12
Wrenches	9/16"
Drill Bit	13/32"
Torque Wrench	
Center Punch	

INSTALLATION NOTES

1. Vehicle should be parked on a level surface with a normal vehicle load on the FRONT suspension.
2. On some vehicles it may be necessary to raise or stiffen the suspension to decrease the vehicles front suspension sag with the snow plow in place.
3. Unless otherwise specified, mount all Vehicle Mount Kit Components to vehicle before tightening any hardware.
4. It is recommended that LOCTITE®, or similar thread locking product, be used on ALL mounting hardware (i.e. Nuts, Cap Screws, Bolts, etc.).
5. Items in parentheses () refer to quantity required for this step. Items in parentheses with a pound sign (#) indicate the part number as found in the parts list on the last page of this document.
Example: (2) 1/2" Lock Washers (#9).

MOUNTING INSTRUCTIONS

1. Remove the four lower frame bolts to open gap between the Brush Guard and UTV frame. (See Figure 1.) Slide the Driver and Passenger Side Brush Guard Brackets (#2 & #3) between the Brush Guard and UTV Frame. (1 per side). Ensure the lower frame holes are aligned by threading the bolts back into place. Use the Driver and Passenger Side Brush Guard Brackets (#2 & #3) as template to mark the locations of the two top mount holes on each side. (See Figure 2.)

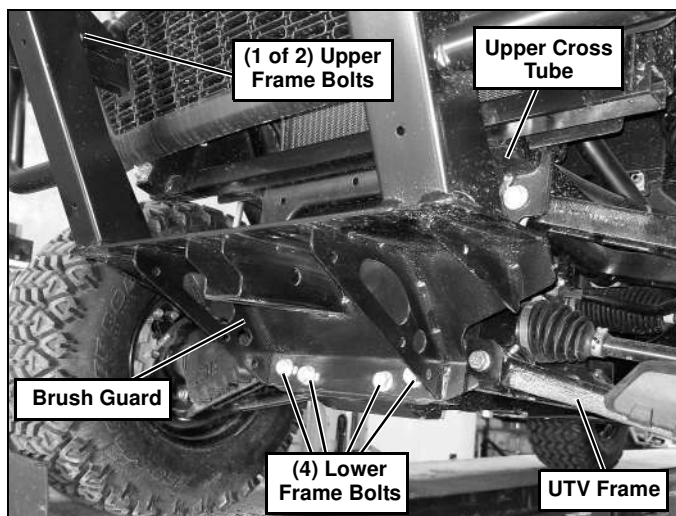


Figure 1

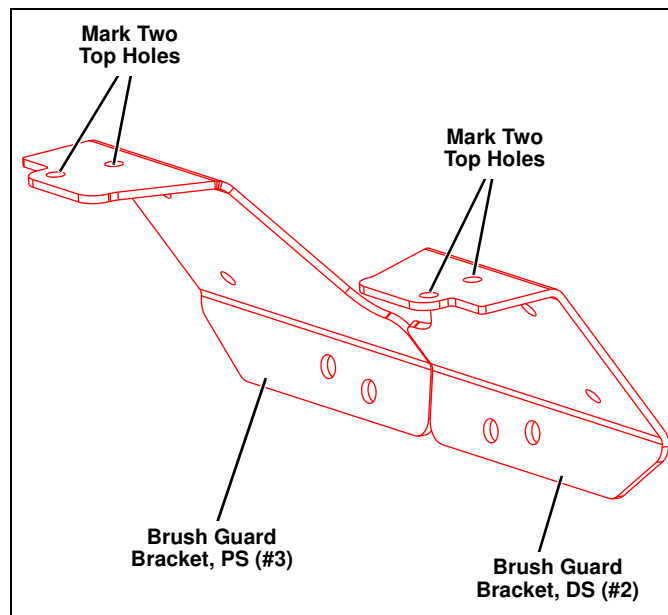


Figure 2

2. Remove the Brush Guard Brackets and Brush Guard by removing the four lower frame bolts and two upper frame bolts (1 per side). (See Figure 1.)
3. Center punch and drill a 13/32" hole in each of the four marked locations.

- A third hole will need to be drilled on the back driver side of the brush guard. Set the Driver Side Brush Guard Bracket (#2) onto the back of the brush guard. Align the two upper drilled holes and two lower frame bolt holes. Mark, center punch, and drill a 13/32" hole on the back side of the Brush Guard. (See Figure 3.)

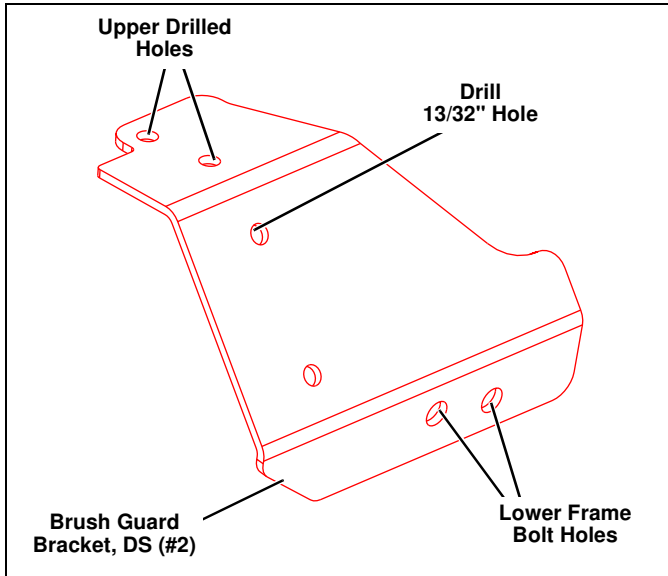


Figure 3

- Repeat step 4 to drill the last hole into the back Passenger Side of the Brush Guard. (See Figure 4.)

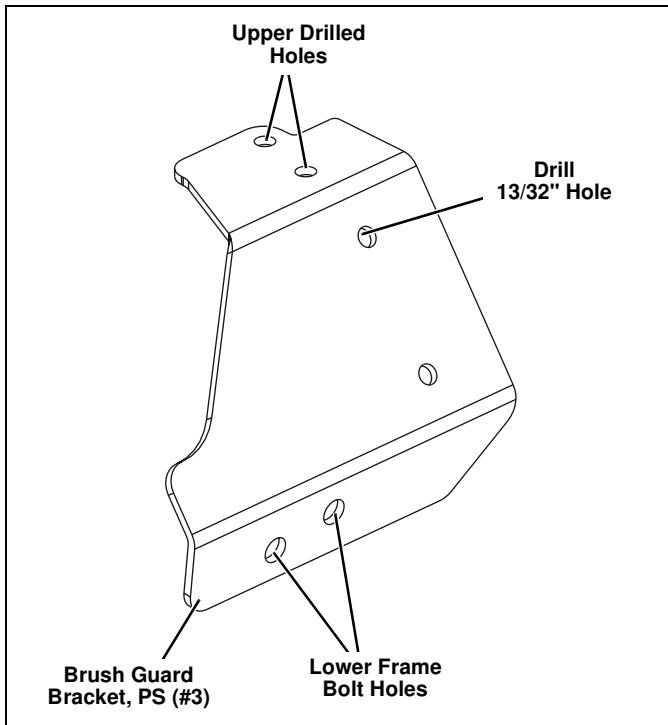


Figure 4

- Set the Brush Guard back onto the UTV and thread the two upper frame bolts back into place.
- Slide the Driver and Passenger Side Brush Guard Brackets (#2 & #3) between the Brush Guard and UTV Frame. Insert the four lower frame bolts through the Brush Guard, Driver and Passenger Side Brush Guard Brackets (#2 & #3), and back into the UTV frame.

- Set the Driver Side Support Weldment (#4) into place under the upper cross tube (see Figure 1) and aligned with the holes in the Brush Guard and Driver Side Brush Guard Bracket (#2). (See Figure 5.)

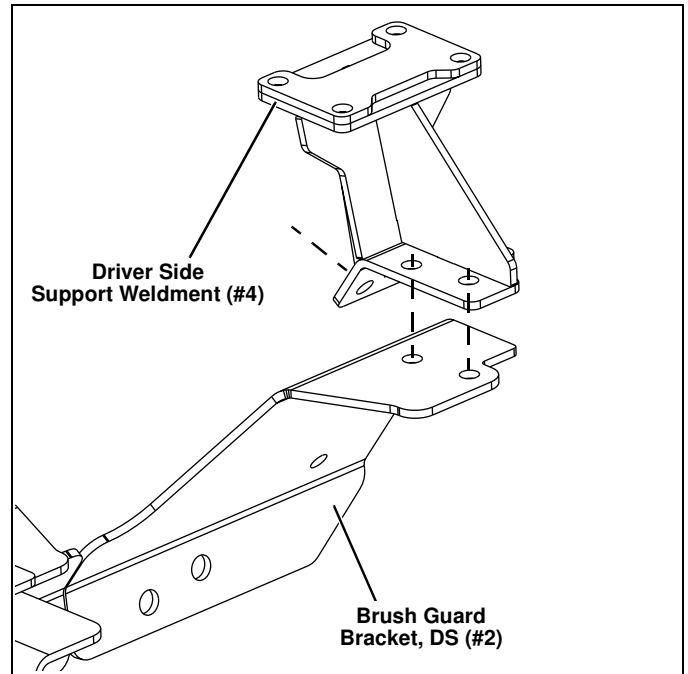


Figure 5

- Set the Driver Side Mount Weldment (#6) tight against the Brush Guard, with all the holes aligned. Insert the hardware as shown using (4) 3/8"-16 x 1-1/2" Cap Screws (#10), (4) 3/8"-16 Locknuts (#11), and (2) 3/8" Plain Washers (#13). Start with the furthest back cap screw and work your forward. (See Figure 6.)

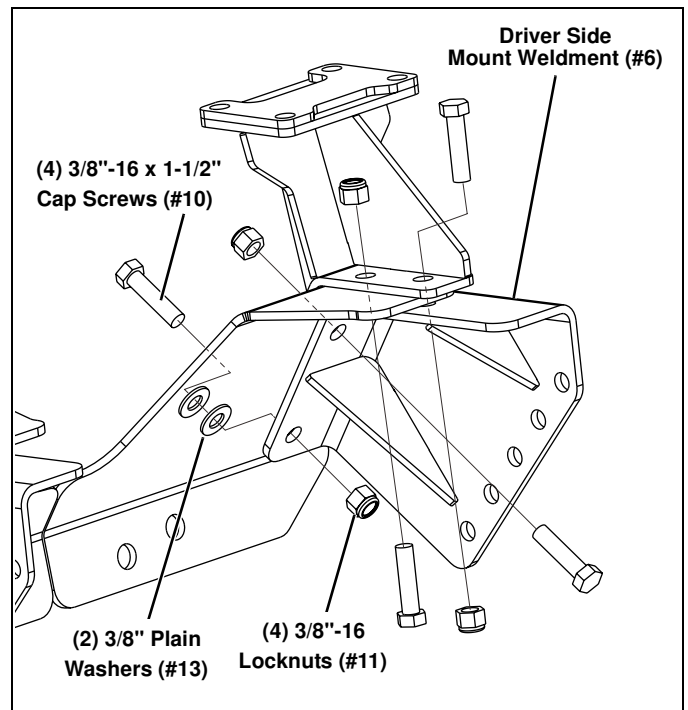


Figure 6

- Repeat steps 8-9 for installing the Passenger Side Support Weldment (#5) and Passenger Side Mount Weldment (#7).

11. Set (2) Offset Mount Plates (#8) above the upper cross tube, one above each of the Support Weldments (#4 & #5). Fasten together using (8) 3/8"-16 x 2-1/2" Cap Screws (#12) and (8) 3/8"-16 Locknuts (#11). (See Figure 7.)

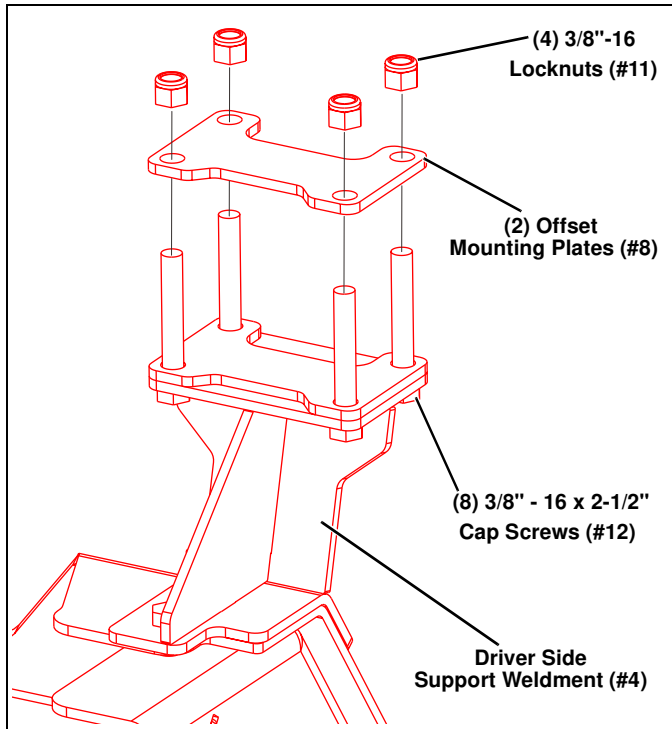


Figure 7 (Driver Side Support Weldment Shown)

12. Attach the UTV Mount (#1) to the Driver and Passenger Side Weldments (#6 and #7) with (6) 3/8"-16 x 1" Cap Screws (#9) and (6) 3/8"-16 Locknuts (#11) (three on each side). (See Figure 8.)

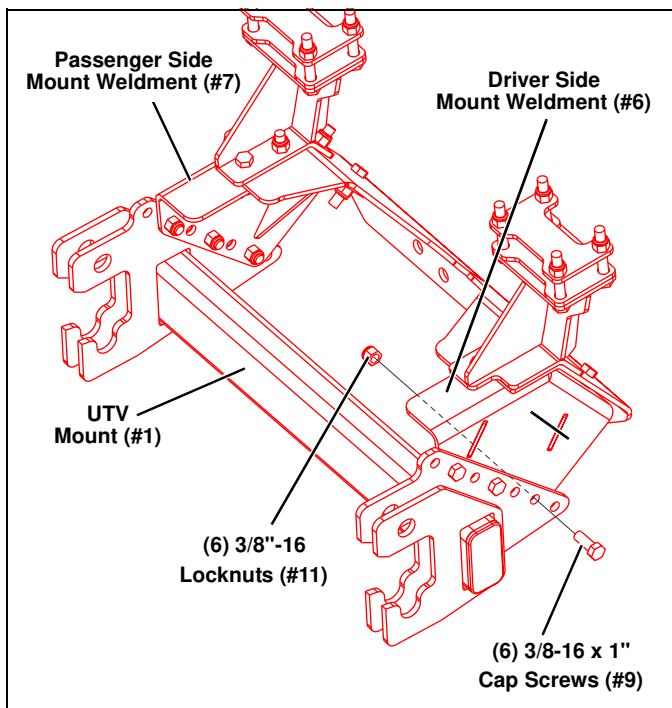


Figure 8

13. Adjust the UTV Mount (#1) so that the center of the bottom slot is 11-12" off the ground. (See Figure 9.)

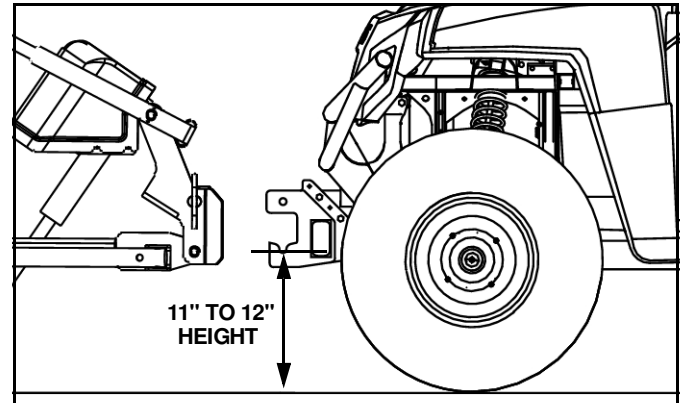


Figure 9

IMPORTANT: Height from the bottom of the lower pin slots on the UTV Mount to the ground should be between 11" and 12" to ensure proper operation.

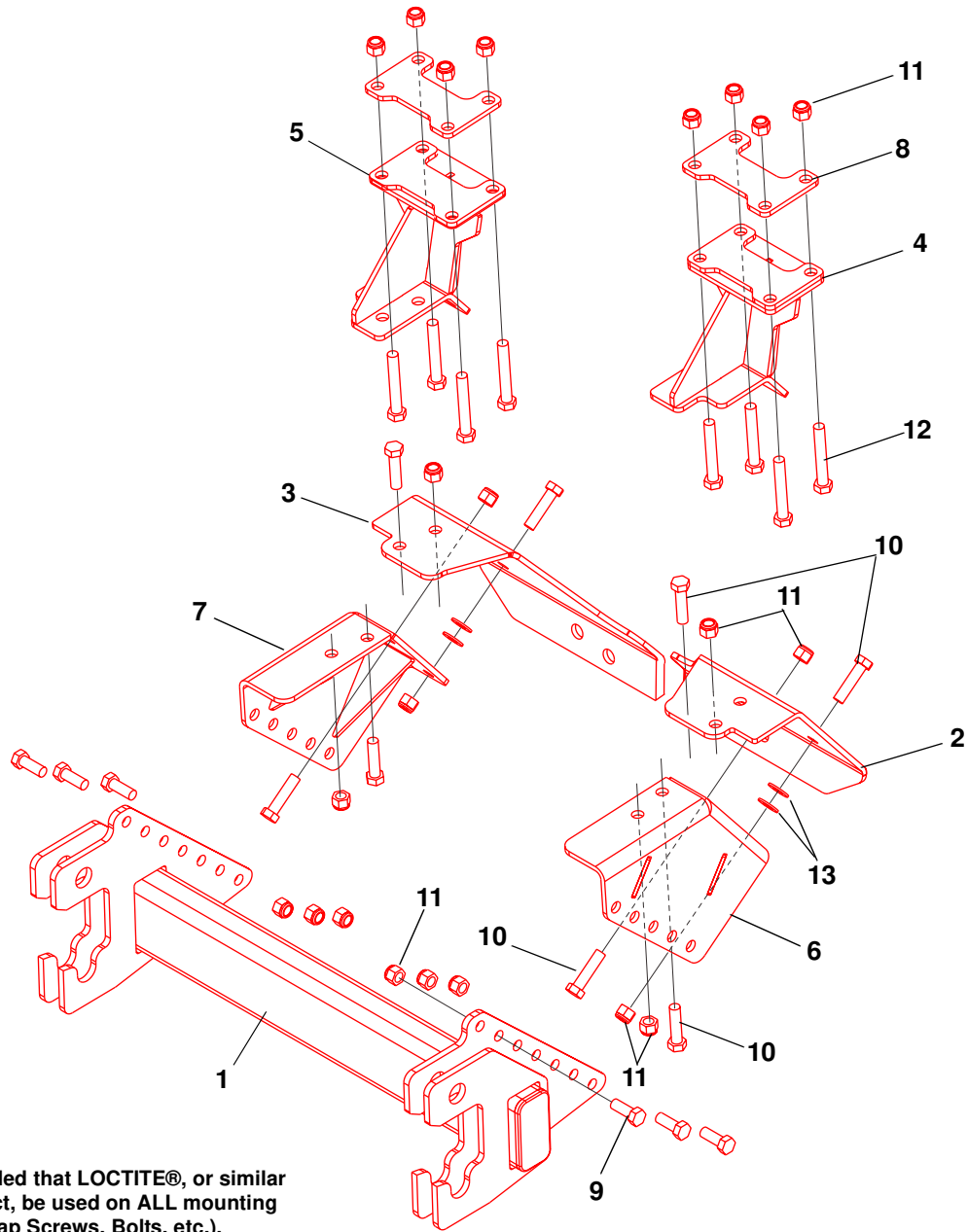
14. Tighten all hardware using the Torque Specification Chart below.

TORQUE SPECIFICATIONS FOR STANDARD MACHINE HARDWARE					
Bolt Size	GR.2 Dry	GR.5 Dry	GR.8 Dry	Metric Size	GR.8.8 Dry
1/4"	66*	9	12	M8	17
5/16"	11	17	25	M10	35
3/8"	20	30	45	M12	60
7/16"	32	50	70	M14	95
1/2"	50	75	110	M16	155
9/16"	70	110	150		
5/8"	100	150	220		
3/4"	175	260	380		
7/8"	170	430	600		
1"	250	640	900		

These torque values are to be used for all hardware. Unless otherwise specified, all torque values must meet this specification.
All torque values are in Ft.-Lbs unless otherwise stated
*In-Lbs

REMEMBER After 5 to 10 hours of snowplow usage, re-torque all hardware!

PARTS LIST



Note: It is recommended that LOCTITE®, or similar thread locking product, be used on ALL mounting hardware (i.e. Nuts, Cap Screws, Bolts, etc.).

ITEM	PART NO.	DESCRIPTION	QTY.
1		UTV Mount.....	1
2		Bracket, Brush Guard, DS.....	1
3		Bracket, Brush Guard, PS.....	1
4		Weldment, Support, DS	1
5		Weldment, Support, PS.....	1
6		Weldment, Mount, DS	1
7		Weldment, Mount, PS	1
8		Plate, Offset Mount	2
9		HHCS, 3/8-16 x 1".....	6
10		HHCS, 3/8-16 x 1-1/2"	8
11		LN, 3/8"-16	22
12		HHCS, 3/8-16 x 2-1/2"	8
13		PW, 3/8"	4
14	96117399	Kit, HDWE (Includes items 8-13) (Not Shown)	1

NOTES

NOTES

SNO-WAY® INTERNATIONAL, INC.



Hartford, WI 53027 USA
Website: www.snoway.com
©2019 Sno-Way® International