

SNO-WAY®

SNOW & ICE CONTROL EQUIPMENT

SERVICE PARTS MANUAL

**26SKD, 26RSKD SERIES SKID STEER
STRAIGHT BLADE SNOW PLOWS**

FOR PLOW SERIAL NUMBERS AFTER:
26SKD100000, 26RSKD100000

TABLE OF CONTENTS

	Page
PARTS LIST INTRODUCTION	2
FRAME - 26SKD	3
BLADES - 26SKD	5
FRAME - 26RSKD.....	7
BLADES - 26RSKD (FRONT).....	9
BLADES - 26RSKD (REAR).....	10
HYDRAULIC VALVE BLOCK ASSEMBLY - 26SKD.....	11
CONTROL SYSTEM WIRING - 26RSKD.....	12
HYDRAULIC SYSTEM - 26RSKD	13
CROSS OVER RELIEF- 26SKD	14
SKID STEER ADAPTERS	15
NUMERICAL INDEX	16

PARTS LIST INTRODUCTION

Our dealership network stands by to provide you with any assistance you may require, including genuine Sno-Way service parts. All parts should be obtained from or ordered through your dealer. Give complete information about the part as well as the Model Number and Serial Number of your machine.

Record the Serial Number in the space provided in your Owner's Manual for quick reference. The Serial Number for the unit is on a plate located on the left frame gusset of the Hopper Frame.

"Right" and "Left" are determined from a position sitting on the Operators Seat of the vehicle.

We reserve the right to make changes or improvements in the design or construction of any part without incurring the obligation to install such changes in any unit previously delivered.

USING THIS PARTS LIST

Below is parts listing with four columns. The first column is the "ITEM", the second is the "PART NUMBER", The third is the "DESCRIPTION" and the fourth is the "QUANTITY".

The "**ITEM**" is the number used in the corresponding illustration.

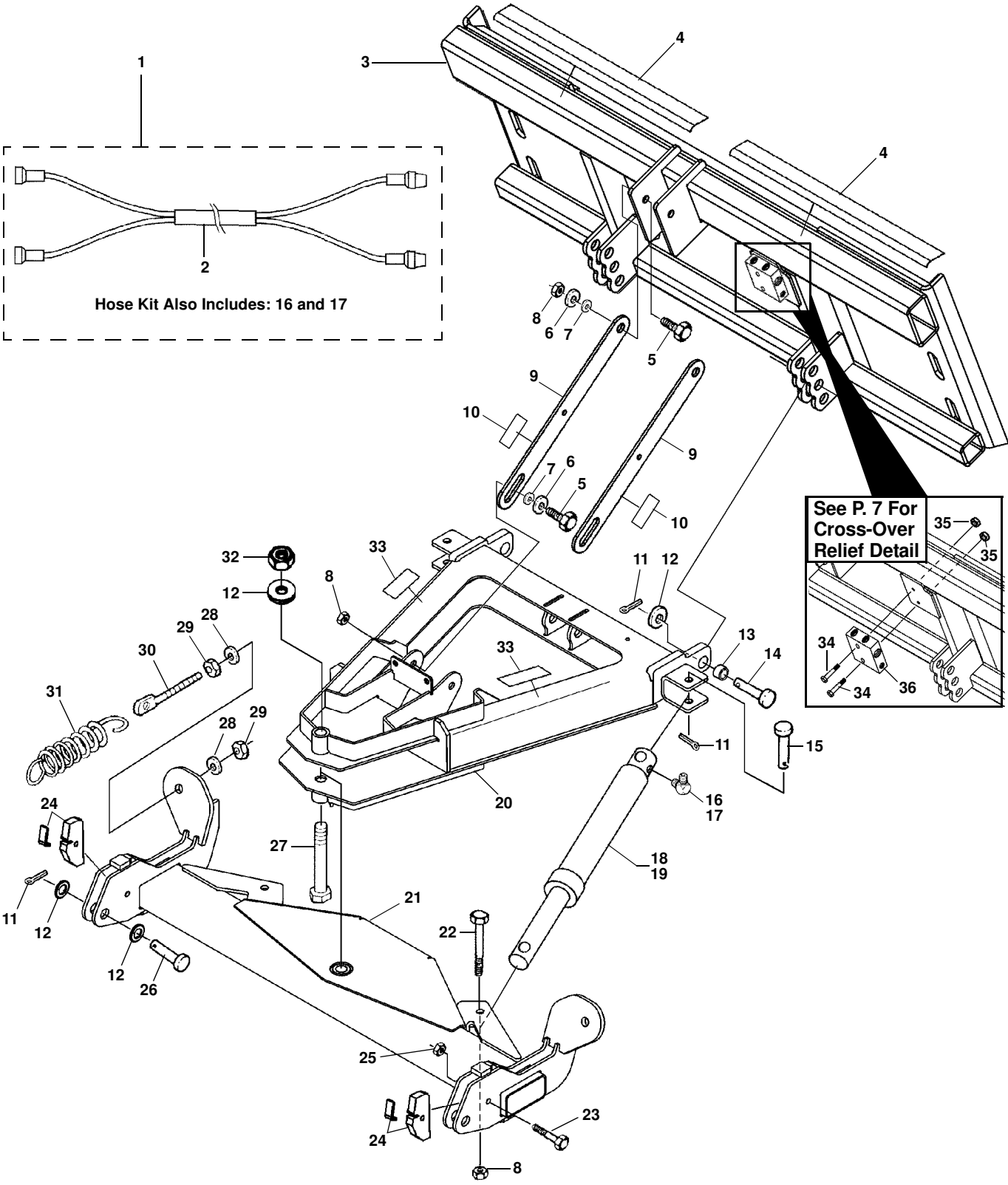
The "**PART NO.**" Is the number used to order replacement parts. If a number does not appear in the column the part is only available by ordering the complete assembly.

The "**DESCRIPTION**" is the name of the replacement part. At times the name may be indented, this means that the indented parts are part of the preceding assembly.

The "**QTY.**" Is the quantity needed to service the assembly illustrated, not the complete product.

ITEM	PART NO.	DESCRIPTION	QTY.
1	96100083	O-ring	1
2	96001529	Elbow	3
3	98100036	HHCS, 3/8"-16NC x 7/8"	9

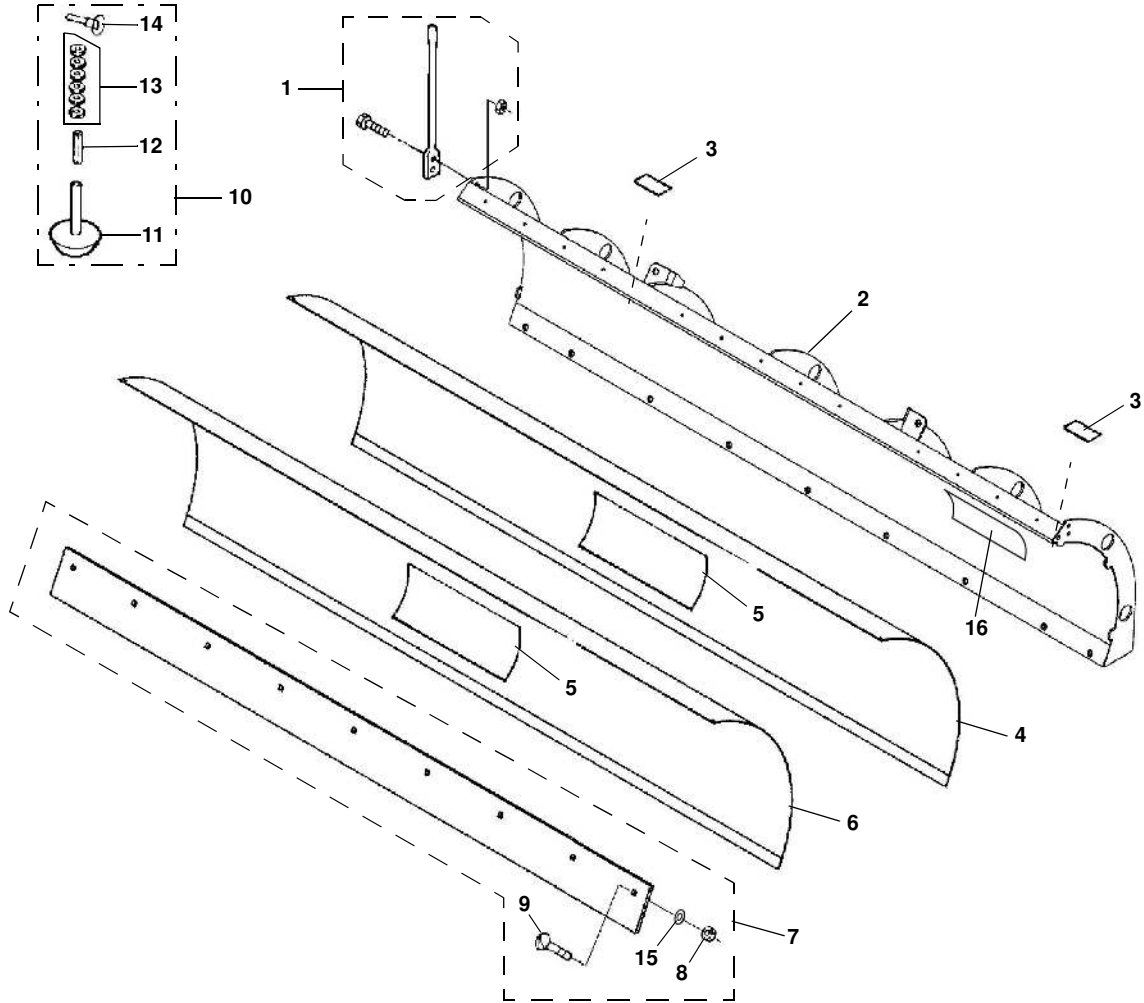
FRAME - 26SKD



FRAME - 26SKD

ITEM	PART NO.	DESCRIPTION	QTY
1	96106218	Kit, Hose	1
2	96106322	ASSY, Hose	1
3		Adapter, Skid Steer (see page 15 for applications).....	1
4	96106279	Roughing Strips, Anti-Slip.....	2
5	98009010	HHCS, 1/2"-13 x 1-1/2".....	4
6	98100176	PW, 1/2", Special Hardened	4
7	96100082	Spacer.....	4
8	98009013	LN, 1/2"-13.....	6
9	96106194	Link, Lift	2
10	97100914	Decal, Floating Link, Caution.....	2
11	98009085	COTP, 5/32" x 1-1/2".....	6
12	98009030	PW, 3/4".....	7
13	96108103	Spacer, Lug, 26SKD	2
14	98100165	CLP, 3/4" x 2-1/2".....	4
15	98100314	CLP, 1/2" x 2-7/8".....	2
16	96106221	Fitting, Orifice (used on left Angle Cylinder only).....	1
17	96100001	Fitting, Elbow (used on right Angle Cylinder only).....	1
18	96107455	Cylinder, Angle.....	2
19	96108100	ASSY, Manual Adjust (see page 49 for detail).....	2
20	96108243	A-Frame.....	1
21	96106148	Frame, Swing.....	1
22	98009036	HHCS, 1/2"-13 x 3-1/2".....	2
23	98009134	HHCS, 3/8"-16 x 2-1/2".....	2
24	96107395	Kit, Cushion/Stop, Blade Trip.....	2
25	98009009	LN, 3/8"-16.....	2
26	98100315	CLP, 3/4" x 2".....	2
27	98100325	HHCS, 3/4"-10 x 7".....	1
28	98009039	PW, 5/8".....	4
29	98009078	HN, 5/8"-11	4
30	98009037	Eyebolt, 5/8"-11 x 6"	2
31	96001392	Spring, Trip	2
32	98100323	HN, 3/4"-10	1
33	97100876	Decal, Warning, Pinch Point	2
34	98009067	HHCS, 1/4"-20 x 2-1/2".....	2
35	98100255	LN, 1/4"-20.....	2
36	96106275	ASSY, Cross Over Relief (see page 14 for detail).....	1

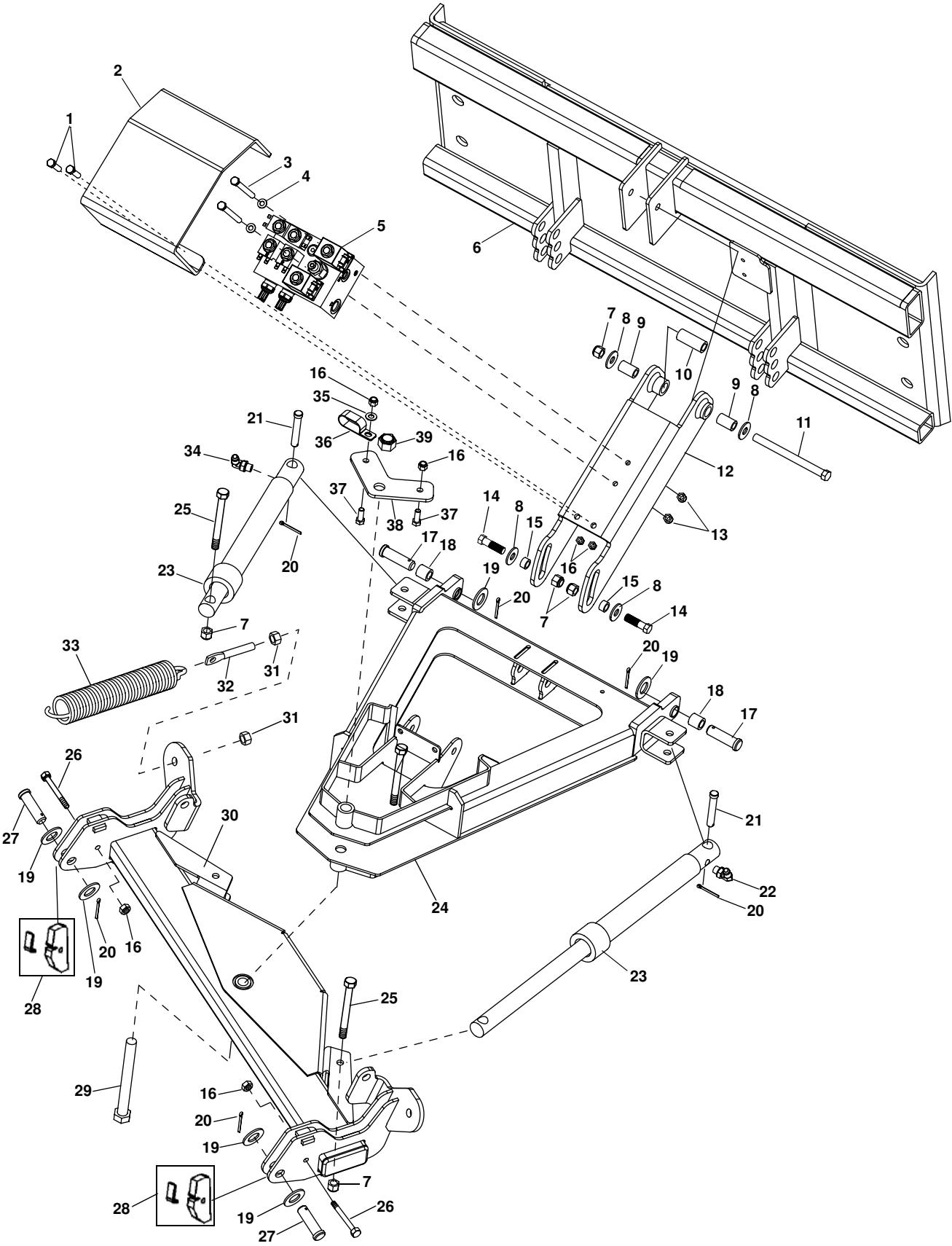
BLADES - 26SKD



BLADES - 26SKD

ITEM	PART NO.	DESCRIPTION	QTY
1	96112352	Kit, Guide, Blade (Includes 2 Guides and mounting hardware).....	1
2		Frame, 80".....	1
		Frame, 90"	1
3		Decal, Warning	2
4	96107647	Kit, Skin, Polycarbonate, 80" (Includes "Sno-Way" decal) (With S.N. Before 2680PCS100400).....	1
	96107648	Kit, Skin, Polycarbonate, 90" (Includes "Sno-Way" decal) (With S.N. Before 2690PCS103100).....	1
5	97100879	Decal, Sno-Way	1
6	96107555	Blade Skin, Steel, 80" (Includes "Sno-Way" decal) (With S.N. Before 2680MSS100200)	1
	96107557	Blade Skin, Steel, 90" (Includes "Sno-Way" decal) (With S.N. Before 2690MSS101200)	1
7	96107649	Kit, Wearstrip, Steel, 80".....	1
	96112726	Kit, Wearstrip, Steel, 90".....	1
8	98009013	LN, 1/2" - 13.....	9
9	98009171	CB, Gr. 5, 1/2"-13 x 1-1/2"	9
10	96102542	ASSY, Shoe	2
11		Shoe, Cast, 1" Shaft	1
12		Spacer, 1".....	1
13	98009005	PW, 1".....	13
14	98009169	Pin, Lynch, 1/4" x 1-9/16".....	1
15	98100176	PW, 1/2", Special Hardened (Used in 96112726 only).....	9
16	97101835	Decal, Sno-Way.....	1

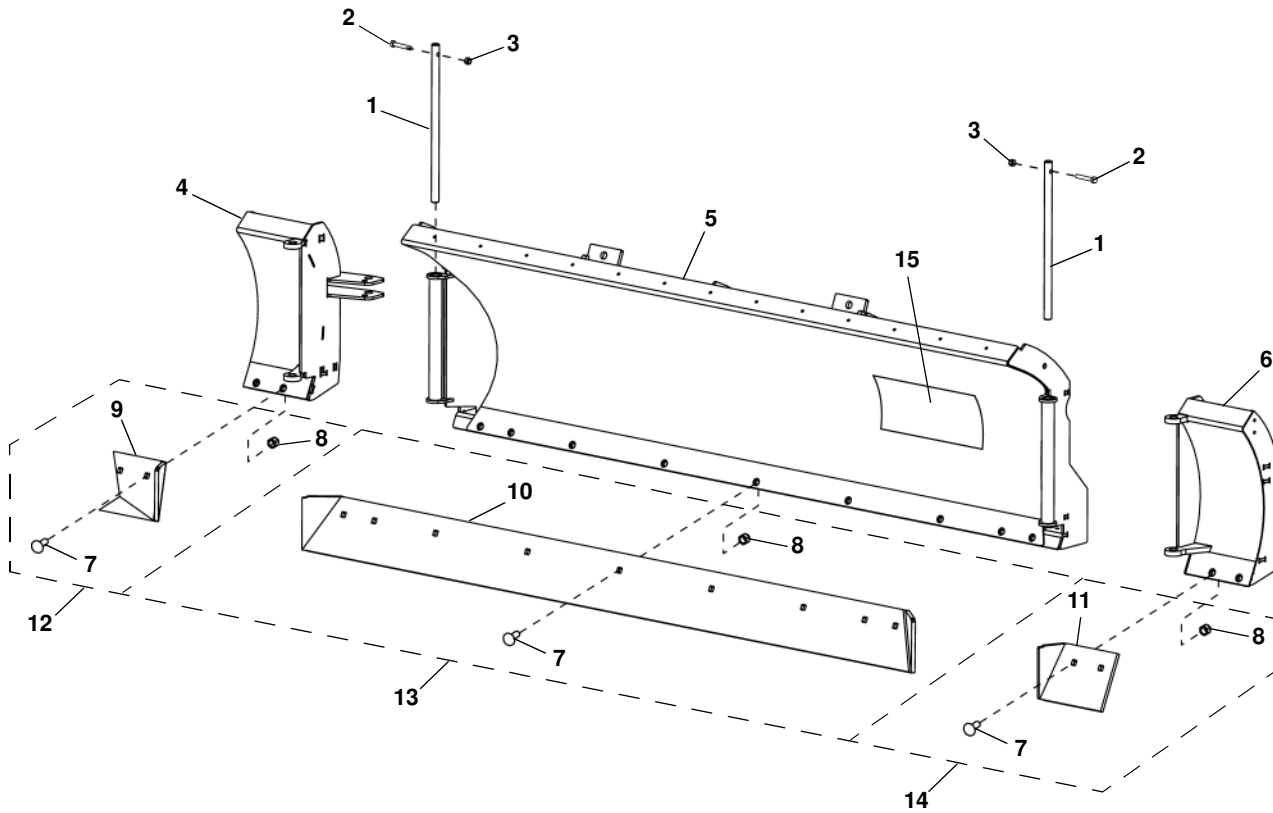
FRAME - 26RSKD



FRAME - 26RSKD

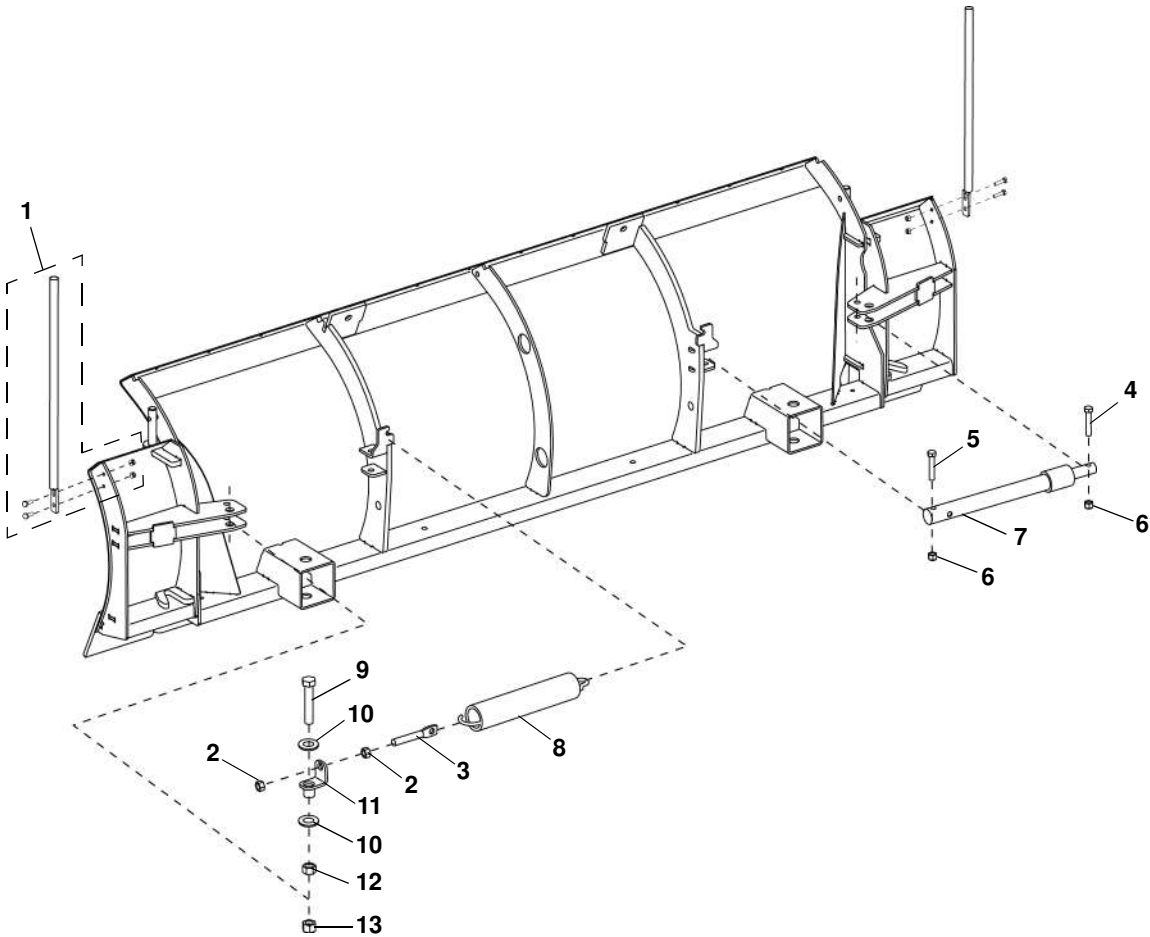
ITEM	PART NO.	DESCRIPTION	QTY
1	98009034	HHCS, 3/8"-16 x 1-1/4"	4
2	96116621	Cover Assembly, RSKD (Includes Grip Strip)	1
3	98100327	HHCS, 5/16"-18 x 4.0", GR 5.....	2
4	98009024	PW, 0.31"	2
5		Valve Block Assembly, 26RSKD	1
6		Adapter, Skid Steer (see page 15 for applications).....	1
7	98009013	LN, 1/2"-13.....	4
8	98100176	PW, 1/2", Special Hardened	4
9	96116107	Spacer.....	2
10	96115641	Spacer.....	1
11	98009040	HHCS, 0.50-13 x 7.00.....	2
12	96116101	Bracket Link, 26RSKD	1
13	98009150	LN, 5/16"-18, Nylon Insert, ZP/DT	2
14	98100390	HHCS, 1/2"-13 x 1-3/4"	2
15	96110365	Spacer.....	2
16	98009009	LN, 3/8"-16.....	2
17	98100165	CLP, 3/4" x 2-1/2".....	2
18	96108103	Spacer.....	2
19	98009030	PW, 3/4".....	2
20	98009085	COTP, 5/32" x 1-1/2".....	6
21	98100314	CLP, 1/2" x 2-7/8".....	4
22	96106221	Fitting, Orifice (used on left Angle Cylinder only).....	1
23	96106078	Cylinder, Angle.....	2
24	96105650	A-Frame.....	1
25	98009036	HHCS, 1/2"-13 x 3-1/2".....	2
26	98009134	HHCS, 3/8"-16 x 2-1/2".....	2
27	98100315	CLP, 3/4" x 2".....	2
28	96107395	Kit, Cushion/Stop, Blade Trip.....	2
29	98100325	HHCS, 3/4"-10 x 7"	1
30	96106148	Frame, Swing, 26RSKD.....	1
31	98009078	HN, 5/8"-11	4
32	98009037	Eyebolt, 5/8"-11 x 6"	2
33	96001392	Spring, Trip	2
34	96100001	Fitting, Elbow (used on right Angle Cylinder only)	1
35	98009032	PW, 3/8".....	1
36	96112500	Clamp	1
37	98009022	HHCS, 3/8"-16 x 1"	2
38	96116545	Plate.....	1
39	98100323	HN, 3/4"-10	1

BLADE - 26RSKD SERIES (FRONT)



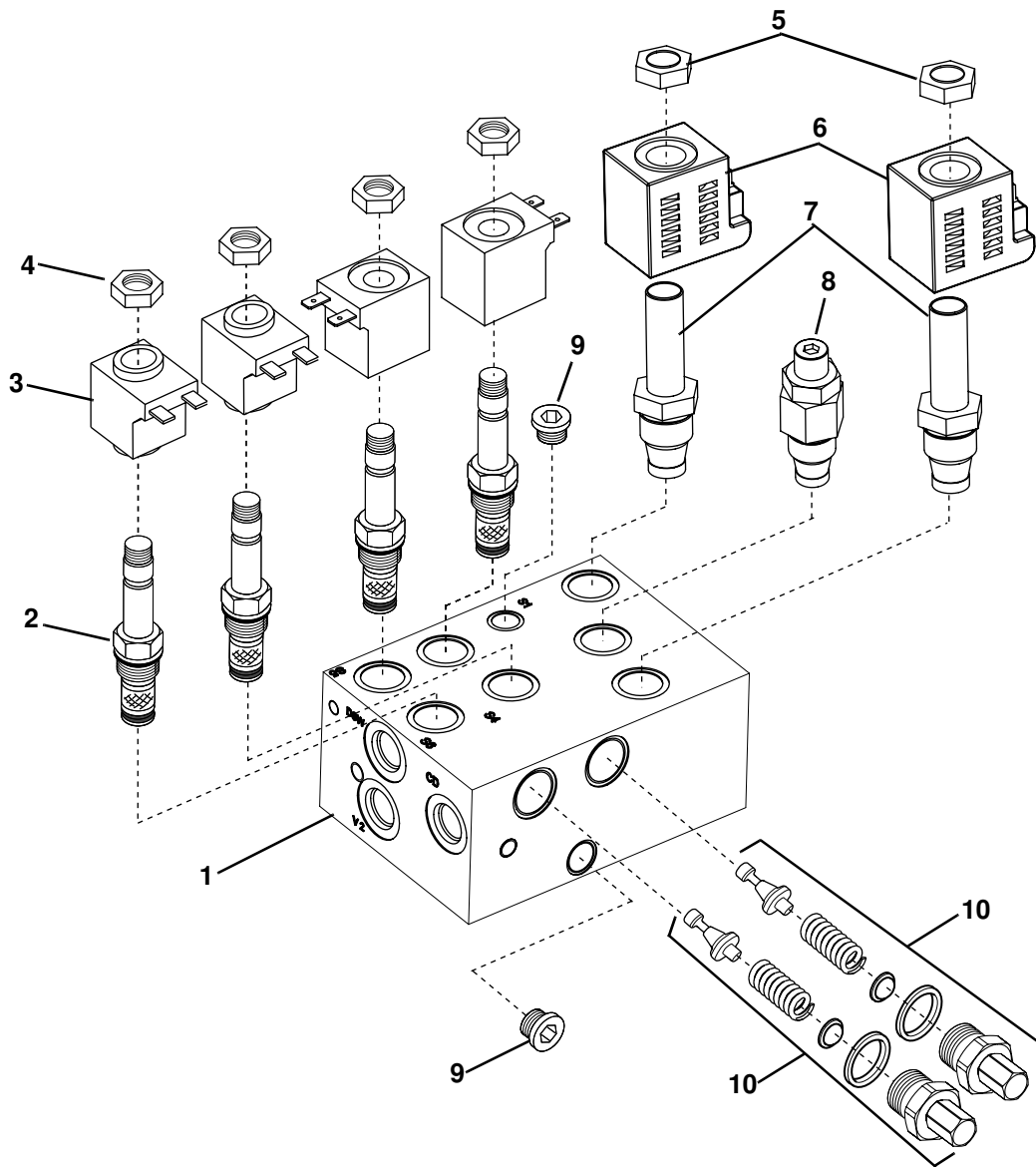
ITEM	PART NO.	DESCRIPTION	QTY
1	96113803	Hinge Pin, 26R	2
2	98100020	HHCS, 3/8"-16 X 1-3/4"	2
3	98009009	LN, 3/8"-16, Nylon Insert	2
4		Wing, 26R, PS	1
5		Main Blade, 26R	1
6		Wing, 26R, DS	1
7	98009171	CB, 1/2-13 X 1-1/2"	14
8	98009013	LN, 1/2-13, Nylon Insert	14
9		Wearstrip, 26R, PS	1
10		Wearstrip, Main Blade, 26R	1
11		Wearstrip, 26R, DS	1
12	96114406	Kit, Wearstrip, 26R, PS (Includes items #7, 8, 9)	1
13	96114407	Kit, Wearstrip, Main, 26R (Includes items #7, 8, 10)	1
14	96114405	Kit, Wearstrip, 26R, DS (Includes items #7, 8, 11)	1
15	97101835	Decal, Sno-Way	1

BLADE - 26RSKD SERIES (REAR) WING FOLD MECHANISM/GUIDES



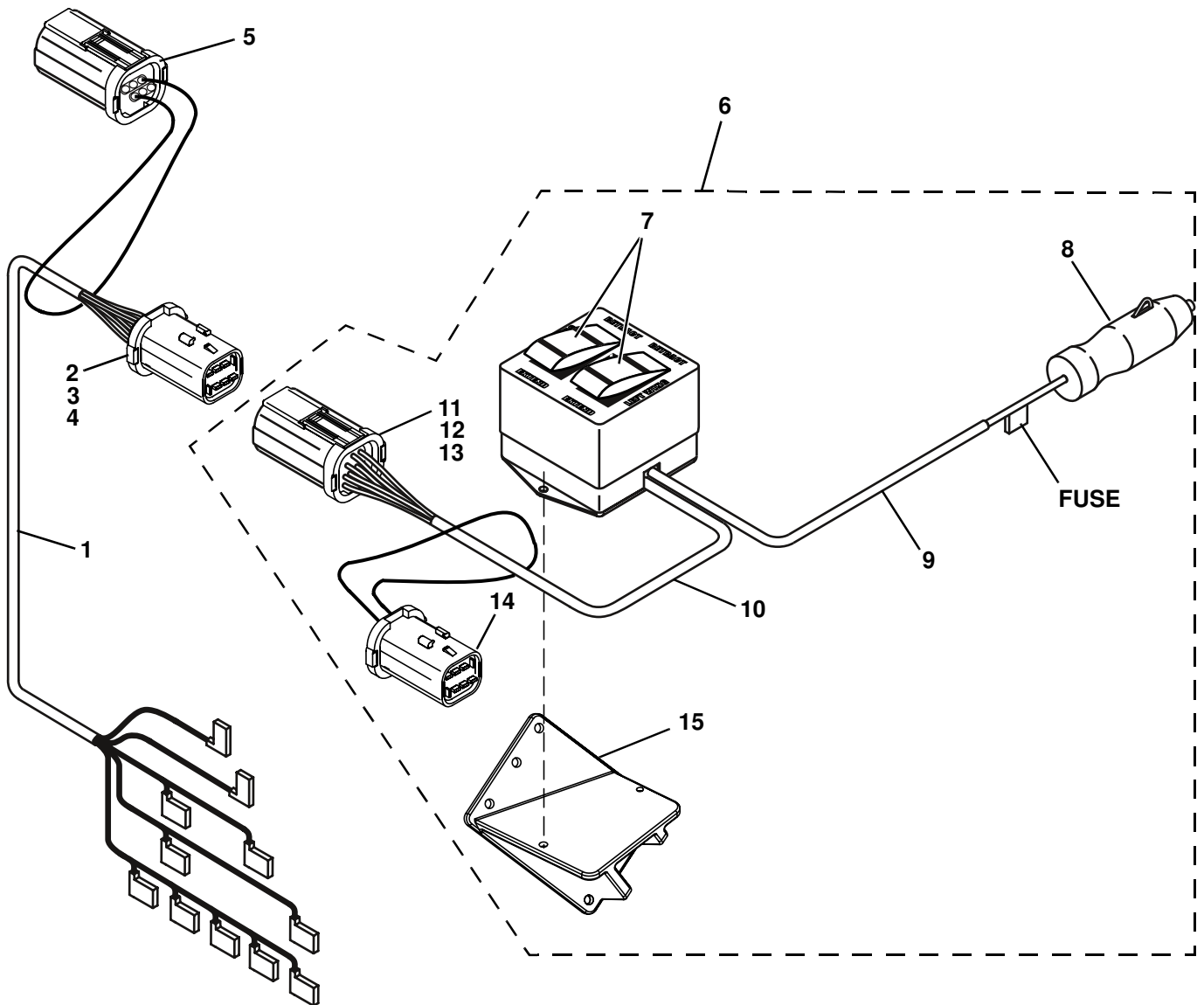
ITEM	PART NO.	DESCRIPTION	QTY
1	96112352	Kit, Blade Guide - Yellow (Includes 2 Guides and Hardware)	2
2	98009078	HN, 5/8"-11	4
3	96102781	Eyebolt, 5/8"-11 X 4.97"	2
4	98009015	HHCS, 1/2"-13 X 2-1/2"	2
5	98009017	HHCS, 1/2"-13 X 3"	2
6	98009013	LN, 1/2"-13, Nylon Insert	4
7	96116278	Cylinder, 26R/29R Wing	2
8	96113232	Spring, 26R	2
9	98100508	HHCS, 3/4"-10 X 4"	2
10	98009030	PW, 3/4"	4
11	96114190	Eyebolt, Mount, 26R.....	2
12	98009075	HN, 3/4"-10.....	2
13	98009003	LN, 3/4"-10, Nylon Insert	2

HYDRAULIC VALVE BLOCK ASSEMBLY - 26RSKD



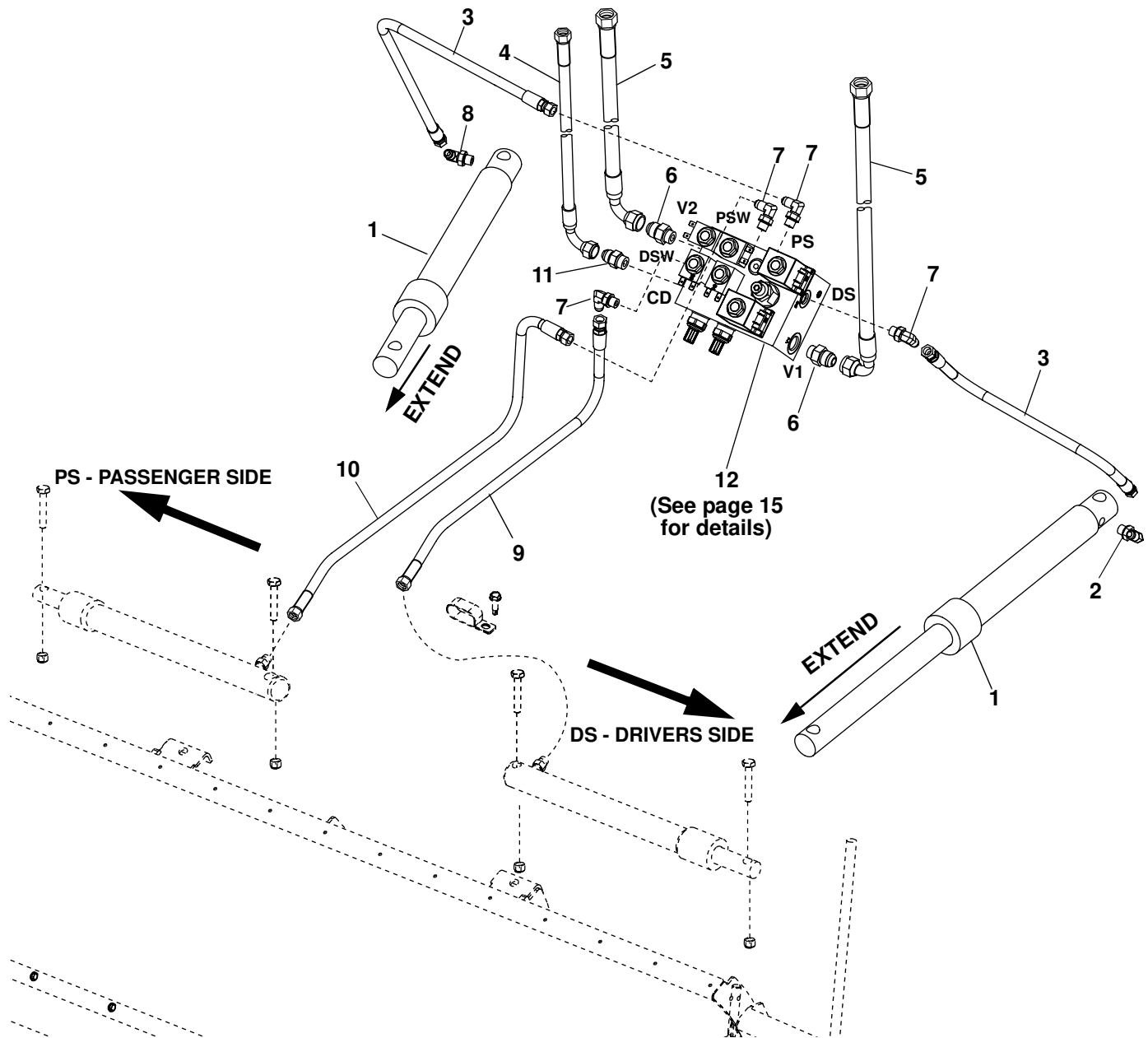
ITEM	PART NO.	DESCRIPTION	QTY
1		Valve Block Assembly, 26RSKD	1
2	96108325	Valve, Cartridge, 2W/2Pos, Normally Closed	4
3	96111171	Coil, Black.....	4
4	96105275	Nut, Coil, #8.....	4
5	96116620	Nut, Coil, #10.....	2
6	96116615	Coil, #10, 1/4" Male Tab.....	2
7	96116616	Valve, Cartridge, 2W/2P, #10 Normally Opened	2
8	96116619	Valve, Relief (26R), #10, 2000 PSI	1
9		Plug, O-Ring, 9/16"-18, Hex	2
10	96114409	Valve, Relief (26R), Wing, 1000 PSI.....	2

CONTROL SYSTEM WIRING - 26RSKD



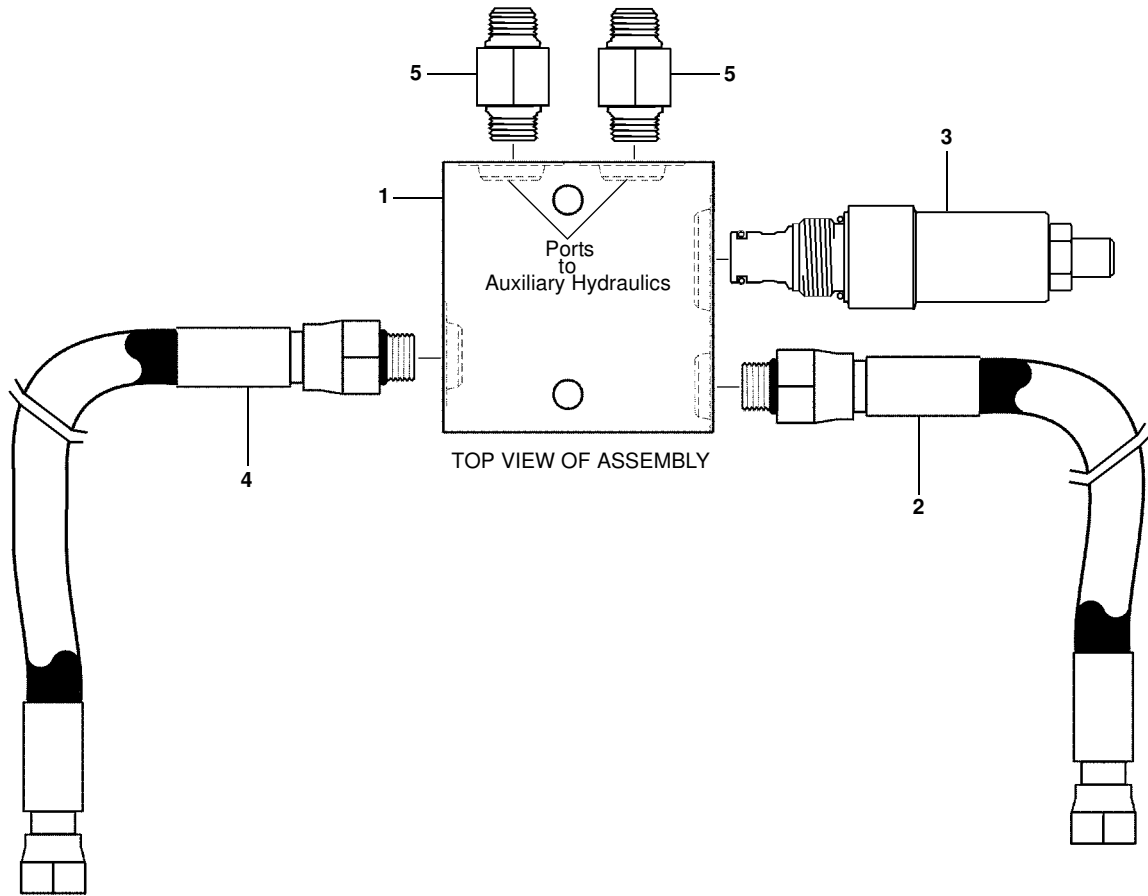
ITEM	PART NO.	DESCRIPTION	QTY
1	96116155	HARNESS, MAIN RSKD/VSKD.....	1
2	96116158	CONNECTOR, MALE.....	1
3	96108079	TERMINAL, MALE.....	5
4	96108142	PLUG, CAVITY.....	1
5	96116160	PROTECTIVE CAP, FEMALE.....	1
6	96116150	CONTROL BOX, ON/OFF.....	1
7	96107113	SWITCH, ON/OFF.....	2
8		CONNECTOR, AUX POWER.....	1
9		HARNESS, POWER CABLE.....	1
10		HARNESS, CONTROL.....	1
11	96116157	CONNECTOR, FEMALE.....	1
12	96108080	TERMINAL, FEMALE.....	5
13	96108142	PLUG, CAVITY.....	1
14	96116159	PROTECTIVE CAP, MALE.....	1
15	96116559	BRACKET, CONTROL.....	1

HYDRAULIC SYSTEM - 26RSKD



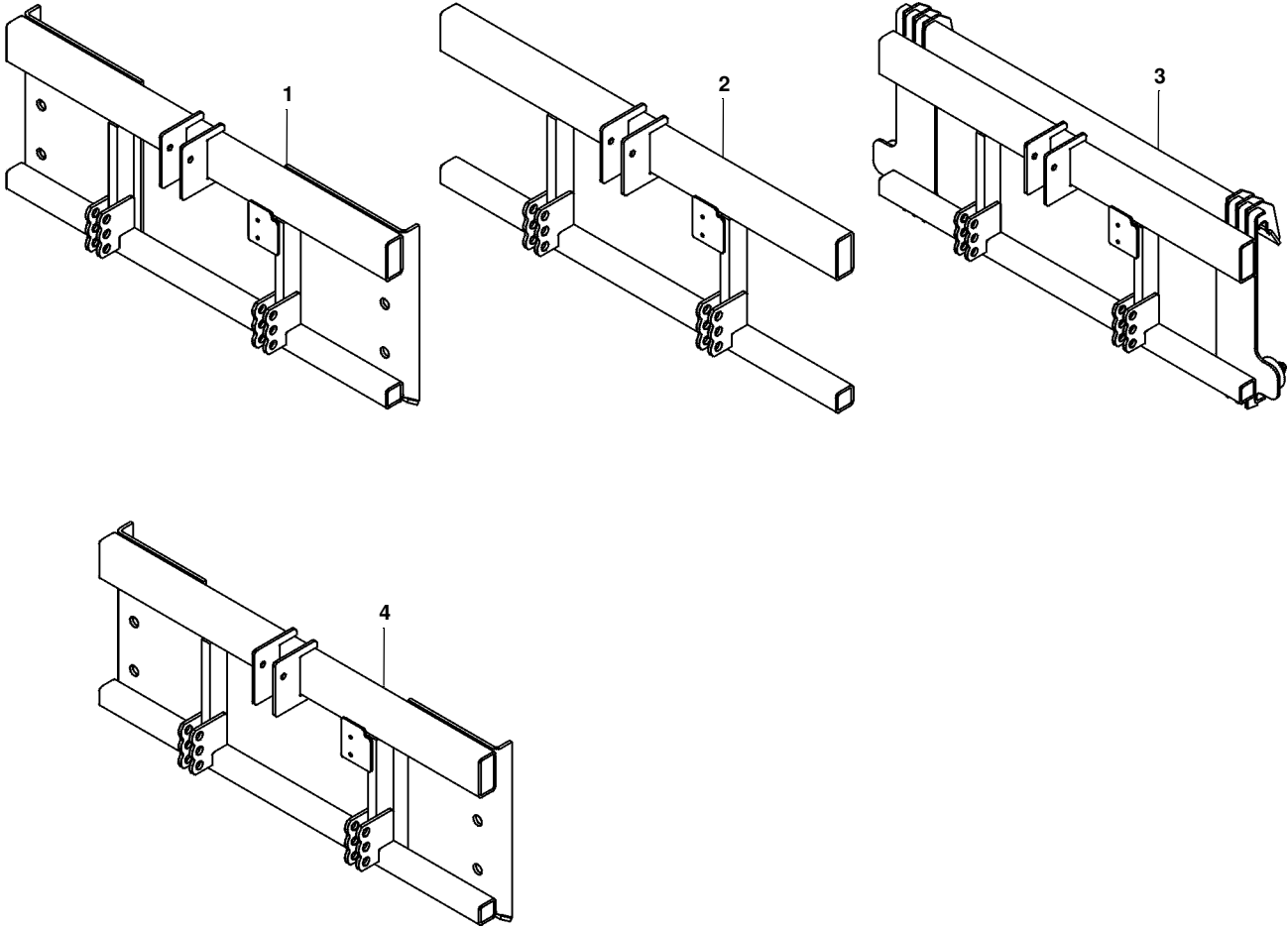
ITEM	PART NO.	DESCRIPTION	QTY
1	96106078	Cylinder, Angle	2
2	96106221	Fitting, Orifice (used on left Angle Cylinder only)	1
3	96113791	Hose, Hydraulic, 27-1/2"	2
4	96115593	Hose, Return	1
5	96115513	Hose, Main Block	2
6	96107721	Fitting, #8 SAE to #10 JIC	2
7	96100001	Fitting, Elbow	4
8	96100001	Fitting, Elbow (used on right Angle Cylinder only)	1
9	96112920	Hose, Hydraulic, 40"	1
10	96112917	Hose, Hydraulic, 62"	1
11	96115596	Fitting, #8 SAE to #8 JIC	1
12		ASSY, Valve Block, 29RSKD (See page 15 for components)	11

CROSS OVER RELIEF - 26SKD



ITEM	PART NO.	DESCRIPTION	QTY
1	96106275	ASSY, Cross Over Relief (includes Relief Valve, #3).....	1
2	96106276	Hose, RH Cylinder, 30 in.	1
3		Valve, Cross Over Relief (Order item #1 - 96106275)	1
4	96104953	Hose, LH Cylinder, 18 in.	1
5	96100000	Fitting, Straight Connector	2

SKID STEER ADAPTERS



ITEM	PART NO.	DESCRIPTION	QTY
1	96109850	Case Adapter Mount - Universal Adapter Mount (fits most Skid Steers).....	1
2	96106834	Universal Blank Structure "H-Bracket"	1
3	96107078	John Deere 400 Adapter Mount	1
4	96106835	Cat 902 Adapter Mount	1

NUMERICAL INDEX

PART NO.	PAGE	ITEM	PART NO.	PAGE	ITEM	PART NO.	PAGE	ITEM
96001392	4	31	96112500	8	36	98009030	4	12
	8	33	96112726	6	7		8	19
96100000	14	5	96112917	13	10		10	10
96100001	4	17	96112920	13	9	98009032	8	35
	8	34	96113232	10	8	98009034	8	1
	13	7	96113791	13	3	98009036	4	22
	13	8	96113803	9	1		8	25
96100082	4	7	96114190	10	11	98009037	4	30
96102542	6	10	96114405	9	14		8	32
96102781	10	3	96114406	9	12	98009039	4	28
96104953	14	4	96114407	9	13	98009040	8	11
96105275	11	4	96114409	11	10	98009067	4	34
96105650	8	24	96115513	13	5	98009075	10	12
96106078	8	23	96115593	13	4	98009078	4	29
	13	1	96115596	13	11		8	31
96106148	4	21	96115641	8	10		10	2
	8	30	96116101	8	12	98009085	4	11
96106194	4	9	96116107	8	9		8	20
96106218	4	1	96116150	12	6	98009134	4	23
96106221	4	16	96116155	12	1		8	26
	8	22	96116157	12	11	98009150	8	13
	13	2	96116158	12	2	98009169	6	14
96106275	4	36	96116159	12	14	98009171	6	9
	14	1	96116160	12	5		9	7
96106276	14	2	96116278	10	7	98100020	9	2
96106279	4	4	96116545	8	38	98100165	4	14
96106322	4	2	96116559	12	15		8	17
96106834	15	2	96116615	11	6	98100176	4	6
96106835	15	4	96116616	11	7		6	15
96107078	15	3	96116619	11	8		8	8
96107113	12	7	96116620	11	5	98100255	4	35
96107395	4	24	96116621	8	2	98100314	4	15
	8	28	97100876	4	33		8	21
96107455	4	18	97100879	6	5	98100315	4	26
96107555	6	6	97100914	4	10		8	27
96107557	6	6	97101835	6	16	98100323	4	32
96107647	6	4		9	15		8	39
96107648	6	4	98009003	10	13	98100325	4	27
96107649	6	7	98009005	6	13		8	29
96107721	13	6	98009009	4	25	98100327	8	3
96108079	12	3		8	16	98100390	8	14
96108080	12	12		9	3	98100508	10	9
96108100	4	19	98009010	4	5			
96108103	4	13	98009013	4	8			
	8	18		6	8			
96108142	12	4		8	7			
	12	13		9	8			
96108243	4	20		10	6			
96108325	11	2	98009015	10	4			
96109850	15	1	98009017	10	5			
96110365	8	15	98009022	8	37			
96111171	11	3	98009024	8	4			
96112352	6	1						
	10	1						

NOTES

NOTES

SNO-WAY® INTERNATIONAL, INC.

SNO-WAY®
SNOW & ICE CONTROL EQUIPMENT

Hartford, WI 53027 USA
Website: www.snoway.com
©2017 Sno-Way® International