

SNO-WAY®

SNOW & ICE CONTROL EQUIPMENT

SERVICE PARTS MANUAL

**22SKD SERIES SKID STEER
STRAIGHT BLADE SNOW PLOWS**

FOR PLOW SERIAL NUMBERS AFTER:
22SKD100000

TABLE OF CONTENTS

	Page
PARTS LIST INTRODUCTION	2
FRAME - 22SKD	3
BLADES - 22SKD	5
CROSS OVER RELIEF	7
SKID STEER ADAPTERS	8
NUMERICAL INDEX	9

PARTS LIST INTRODUCTION

Our dealership network stands by to provide you with any assistance you may require, including genuine Sno-Way service parts. All parts should be obtained from or ordered through your dealer. Give complete information about the part as well as the Model Number and Serial Number of your machine.

Record the Serial Number in the space provided in your Owner's Manual for quick reference. The Serial Number for the unit is on a plate located on the left frame gusset of the Hopper Frame.

"Right" and "Left" are determined from a position sitting on the Operators Seat of the vehicle.

We reserve the right to make changes or improvements in the design or construction of any part without incurring the obligation to install such changes in any unit previously delivered.

USING THIS PARTS LIST

Below is parts listing with four columns. The first column is the "ITEM", the second is the "PART NUMBER", The third is the "DESCRIPTION" and the fourth is the "QUANTITY".

The **"ITEM"** is the number used in the corresponding illustration.

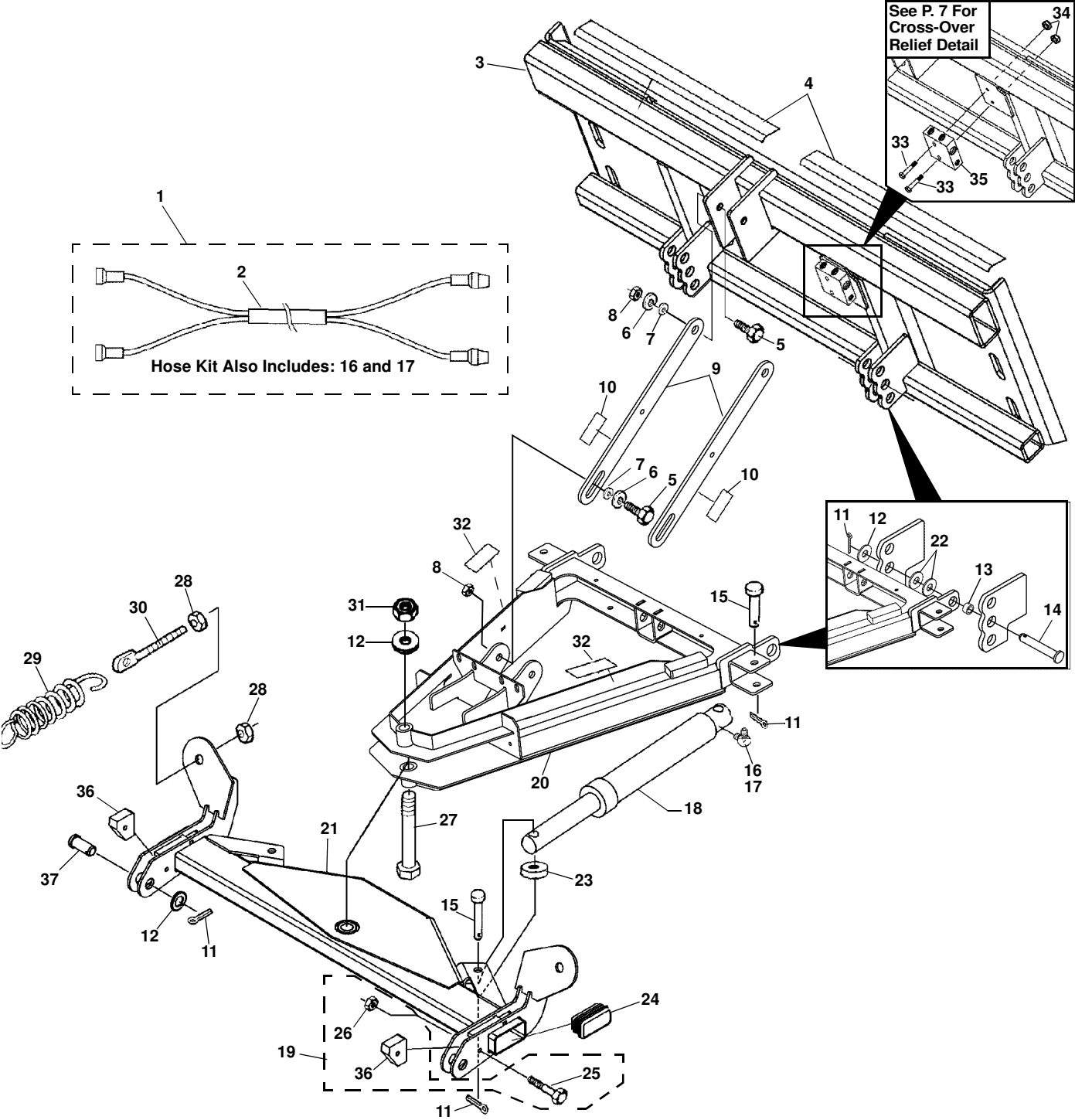
The **"PART NO."** Is the number used to order replacement parts. If a number does not appear in the column the part is only available by ordering the complete assembly.

The **"DESCRIPTION"** is the name of the replacement part. At times the name may be indented, this means that the indented parts are part of the preceding assembly.

The **"QTY."** Is the quantity needed to service the assembly illustrated, not the complete product.

ITEM	PART NO.	DESCRIPTION	QTY.
1	96100083	O-ring	1
2	96001529	Elbow	3
3	98100036	HHCS, 3/8"-16NC x 7/8"	9

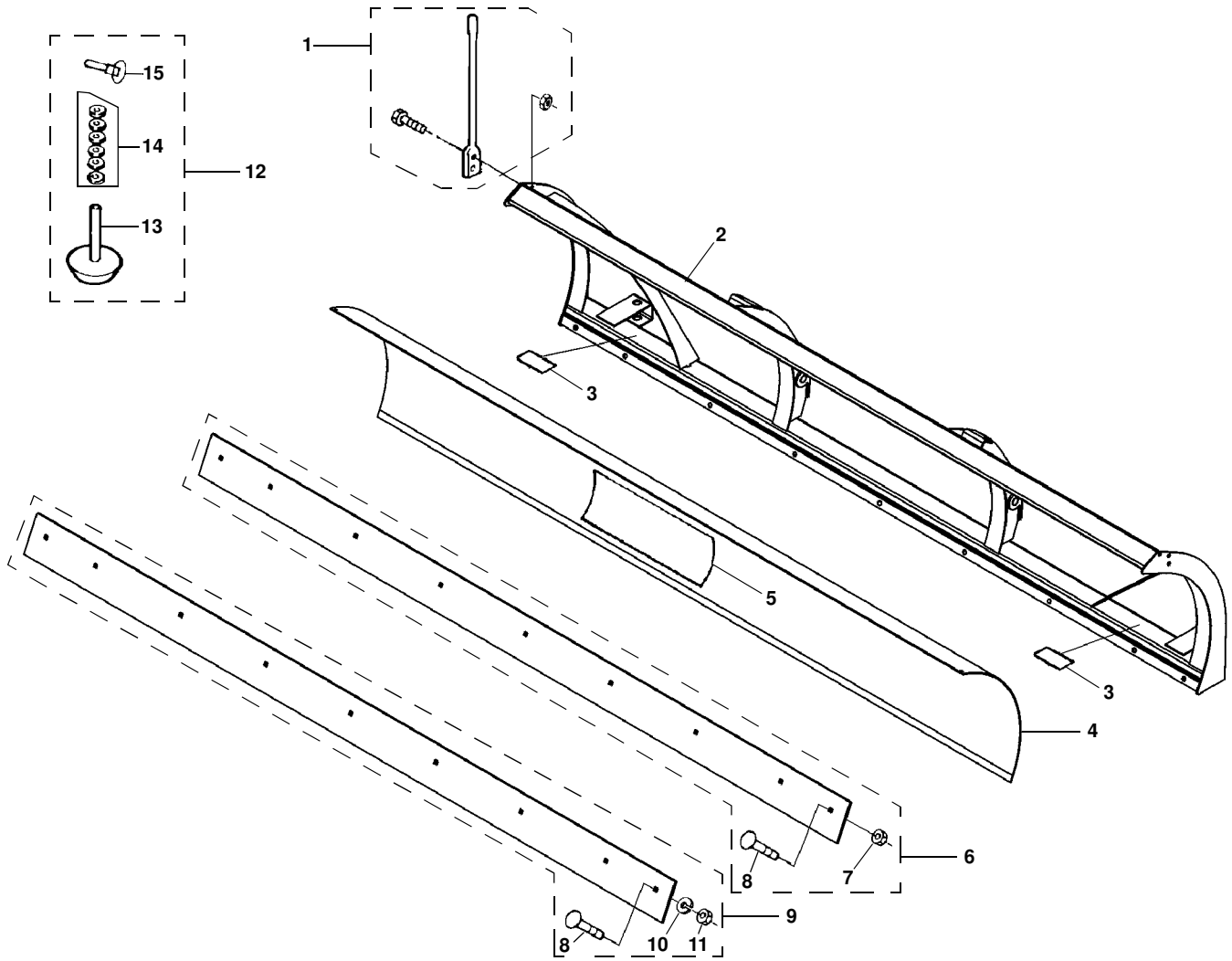
FRAME - 22SKD



FRAME - 22SKD

ITEM	PART NO.	DESCRIPTION	QTY
1	96113728	Kit, Hose.....	1
2	96106322	ASSY, Hose.....	1
3		Adapter, Skid Steer (see page 8 for applications)	1
4	96106279	Roughing Strips, Anti-Slip.....	2
5	98009010	HHCS, 1/2"-13 x 1-1/2".....	4
6	98100176	PW, 1/2", Special Hardened	4
7	96102271	Spacer	4
8	98009013	LN, 1/2"-13	6
9	96106194	Link, Lift.....	2
10	97100914	Decal, Floating Link, Caution	2
11	98009085	COTP, 5/32" x 1-1/2"	8
12	98009030	PW, 3/4".....	5
13	96108103	Spacer, Lug	2
14	98100165	CLP, 3/4" x 2-1/2"	4
15	98100322	CLP, 1/2" x 2-3/8"	4
16	96113764	Fitting, Orifice (used on left Angle Cylinder only)	1
17	96100001	Fitting, Elbow (used on right Angle Cylinder only).....	1
18	96110951	Cylinder, Angle	2
19	96108338	Kit, Stop, Blade Trip, 22 (Includes 25, 26 & 36.....	2
20	96113726	A-Frame	1
21	96106391	Frame, Swing	1
22	98009005	PW, 1".....	4
23	96107710	Spacer, Swing Cylinder 22	2
24		End Cap, 3 x 1-1/2"	2
25	98100340	HHCS, 1/4"-20 x 1-1/2".....	2
26	98100255	LN, 1/4" x 20.....	2
27	98100324	HHCS, 3/4"-10 x 6-1/2".....	1
28	98009078	HN, 5/8"-11	4
29	96106889	Spring, Trip	2
30	98100457	Eyebolt, 5/8"-11 x 6"	2
31	98100323	HN, 3/4"-10.....	1
32	97100876	Decal, Warning, Pinch Point.....	2
33	98009067	HHCS, 1/4"-20 x 2-1/2".....	2
34	98100255	LN, 1/4"-20	2
35	96106275	ASSY, Cross Over Relief (see page 7 for details)	1
36		Cushion/Stop, Blade Trip, 22 Series.....	2
37	98100320	CLP, 3/4" x 1-5/8"	2

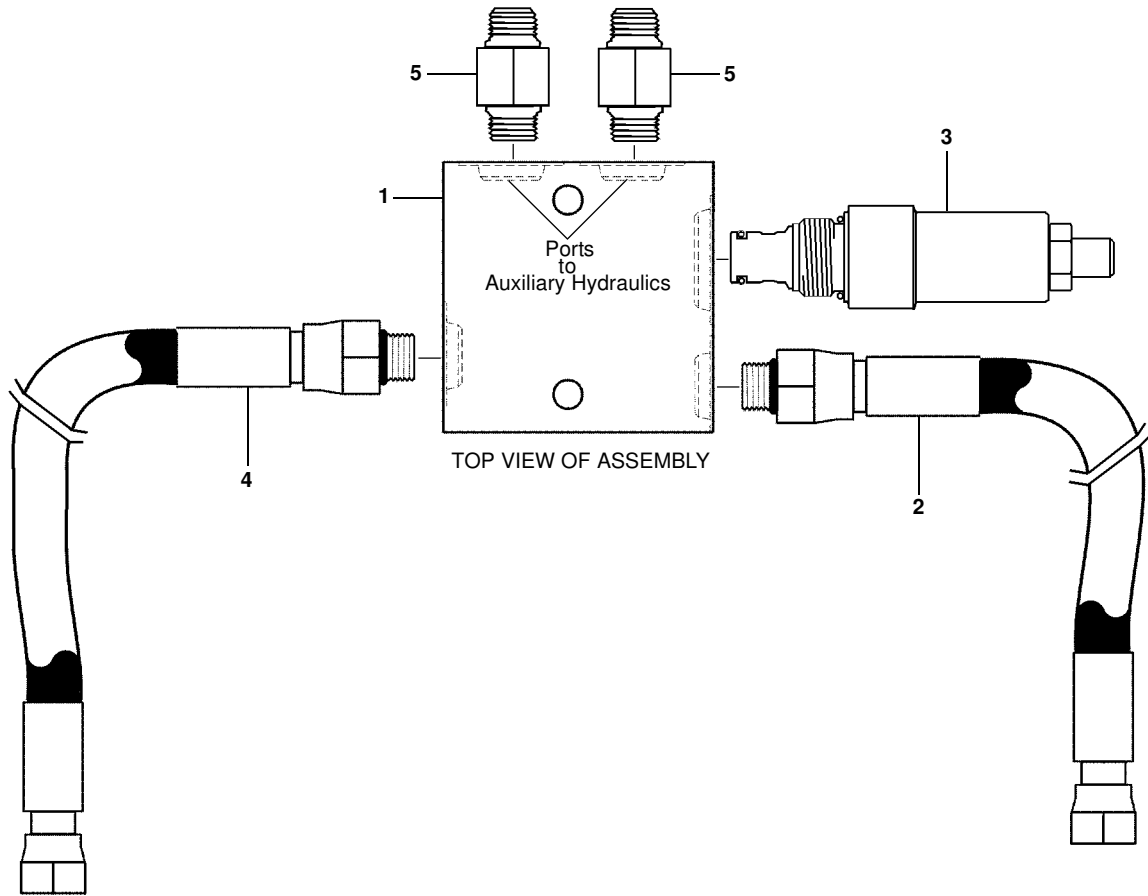
BLADES - 22SKD



BLADES - 22SKD

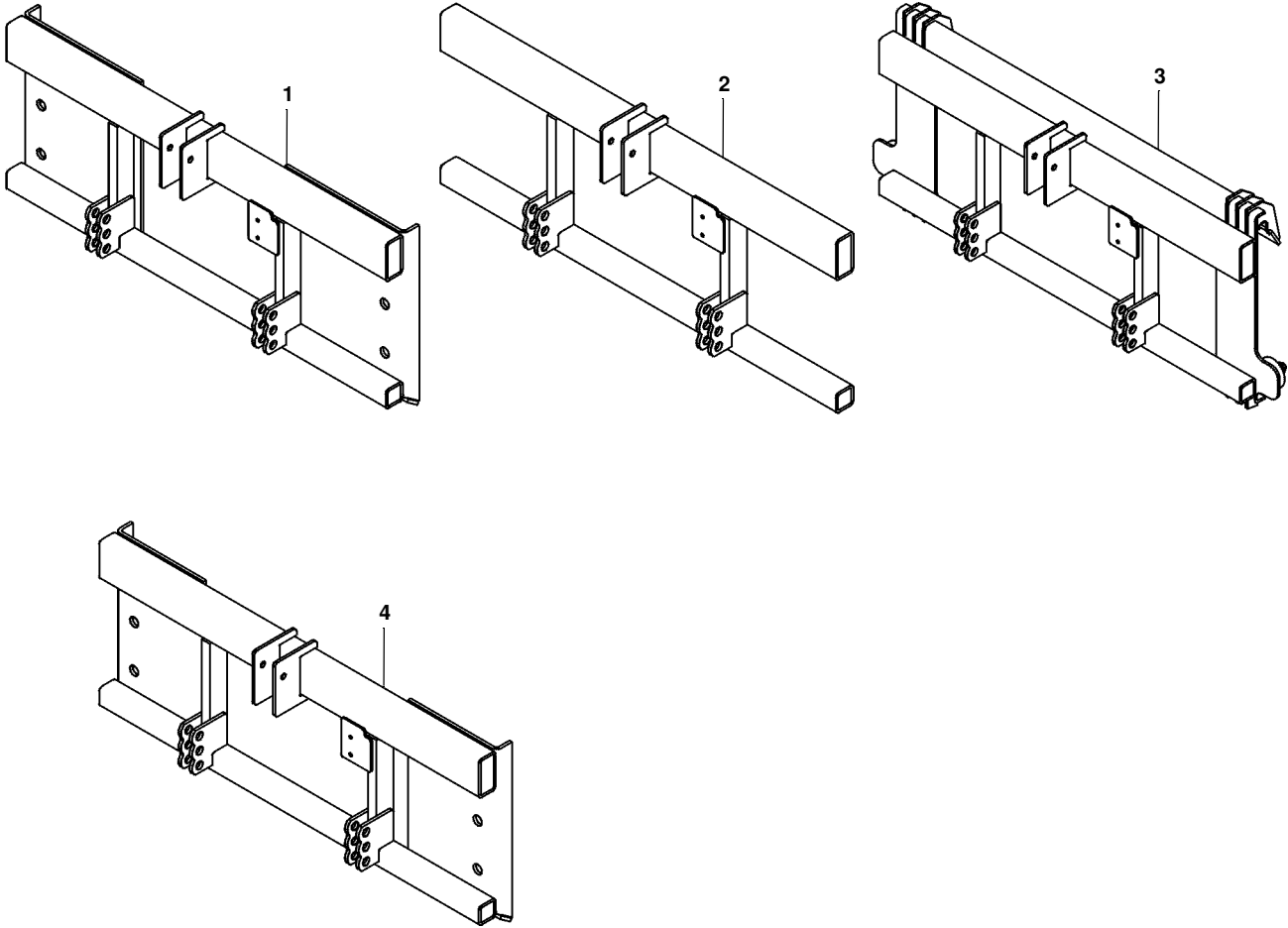
ITEM	PART NO.	DESCRIPTION	QTY
1	96112352	Kit, Guide, Blade (includes 2 Guides and Mounting Hardware)	1
2		Frame, 72"	1
		Frame, 80"	1
		Frame, 90"	1
3	97100018	Decal, Warning	2
4	96107793	Kit, Skin, Polycarbonate, 72" (includes "Sno-Way" Decal)	1
	96107794	Kit, Skin, Polycarbonate, 80" (includes "Sno-Way" Decal)	1
	96107795	Kit, Skin, Polycarbonate, 90" (includes "Sno-Way" Decal)	1
5	97100911	Decal, Sno-Way (used with Polycarbonate Blade)	1
6	96107796	Kit, Wearstrip, Steel, 72"	1
	96107797	Kit, Wearstrip, Steel, 80"	1
	96107798	Kit, Wearstrip, Steel, 90"	1
7	98009009	LN, 3/8"-16.....	9
8	98009061	CB, Gr. 5, 3/8"-16 x 1-1/2"	9
9	96108011	Kit, Wearstrip, Poly, 72"	1
	96108012	Kit, Wearstrip, Poly, 80"	1
	96108013	Kit, Wearstrip, Poly, 90"	1
10	98009008	LW, 3/8".....	9
11	98009077	HN, 3/8"-16	9
12	96001191	ASSY, Shoe	2
13		Shoe, Cast, 3/4" Shaft	1
14	98009127	PW, 7/8"	25
15	98009169	Pin, Lynch, 1/4" x 1-9/16".....	1
16	99100490	Kit, Deflector, Curled (all blades, includes Hardware)	1
17	96101257	Hardware Kit, Curled Deflector	1

CROSS OVER RELIEF



ITEM	PART NO.	DESCRIPTION	QTY
1	96106275	ASSY, Cross Over Relief (includes Relief Valve, #3).....	1
2	96106276	Hose, RH Cylinder, 30 in.	1
3		Valve, Cross Over Relief (Order item #1 - 96106275)	1
4	96104953	Hose, LH Cylinder, 18 in.	1
5	96100000	Fitting, Straight Connector	2

SKID STEER ADAPTERS



ITEM	PART NO.	DESCRIPTION	QTY
1	96109850	Case Adapter Mount - Universal Adapter Mount (fits most Skid Steers).....	1
2	96106834	Universal Blank Structure "H-Bracket"	1
3	96107078	John Deere 400 Adapter Mount	1
4	96106835	Cat 902 Adapter Mount	1

NUMERICAL INDEX

PART NO.	PAGE	ITEM
96001191	6	12
96100000	7	5
96100001	4	17
96101257	6	17
96102271	4	7
96104953	7	4
96106194	4	9
96106275	4	35
	7	1
96106276	7	2
96106279	4	4
96106322	4	2
96106391	4	21
96106834	8	2
96106835	8	4
96106889	4	29
96107078	8	3
96107710	4	23
96107793	6	4
96107794	6	4
96107795	6	4
96107796	6	6
96107797	6	6
96107798	6	6
96108011	6	9
96108012	6	9
96108013	6	9
96108103	4	13
96108338	4	19
96109850	8	1
96110951	4	18
96112352	6	1
96113726	4	20
96113728	4	1
96113764	4	16
97100018	6	3
97100876	4	32
97100911	6	5
97100914	4	10
98009005	4	22
98009008	6	10
98009009	6	7
98009010	4	5
98009013	4	8
98009030	4	12
98009061	6	8
98009067	4	33
98009077	6	11

PART NO.	PAGE	ITEM
98009078	4	28
98009085	4	11
98009127	6	14
98009169	6	15
98100165	4	14
98100176	4	6
98100255	4	26
	4	34
98100320	4	37
98100322	4	15
98100323	4	31
98100324	4	27
98100340	4	25
98100457	4	30
99100490	6	16

PART NO.	PAGE	ITEM
----------	------	------

NOTES

SNO-WAY[®] INTERNATIONAL, INC.

SNO-WAY[®]
SNOW & ICE CONTROL EQUIPMENT

Hartford, WI 53027 USA
Website: www.snoway.com
©2017 Sno-Way[®] International