

SNO-WAY®

SNOW & ICE CONTROL EQUIPMENT

INSTALLATION INSTRUCTIONS

UTV POWER HARNESS EXTENSION KIT

Sno-Way®; Down Pressure® and EIS® are registered trademarks of Sno-Way International, Inc. ProControl™, MegaBlade™, V-Wing™, E-Z Switch™, Revolution™, MaxAdjust™, SpeedLock™, and QuickJack™ are trademarks of Sno-Way International, Inc.

©2015 Sno-Way® International

97101944A



1. THINK SAFETY, ALWAYS WEAR SAFETY GLASSES WHEN PERFORMING THE OPERATIONS PRESCRIBED IN THESE INSTRUCTIONS
2. READ ALL INSTRUCTIONS CAREFULLY BEFORE ATTEMPTING INSTALLATION



The following instructions show how to add the UTV Power Harness Extension Kit to the existing harness.

UTV Power Harness Extension Installation

1. Remove negative battery cable from UTV.
2. Remove cover from fuse holder. If 6" power wire is installed, remove nut and discard 6" power wire.
3. Remove the red wire from extension kit parts bag. Place the small ring terminal end of the red wire over the fuse holder stud. Replace nut and cover. (See Figure 1.)

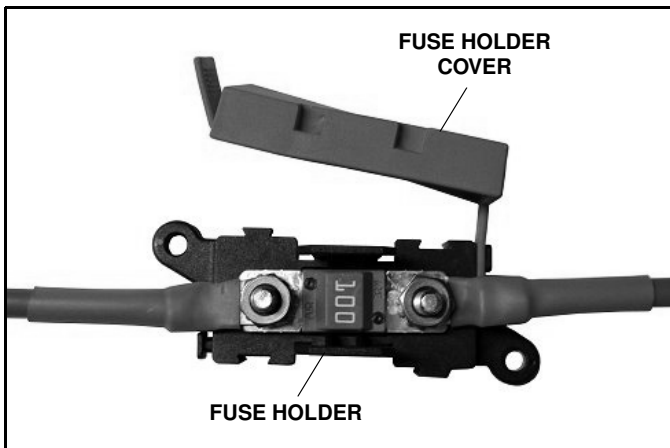


Figure 1

4. Connect the other end of the red wire to the positive battery terminal.

5. Remove the black wire from the parts bag. Slide the heat shrink tubing over one end until it is approximately 6 inches from the end. (See Figure 2.)

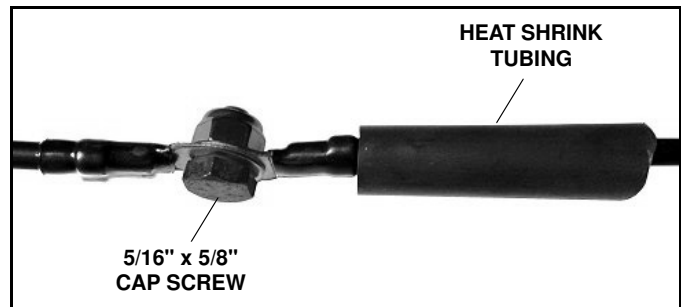


Figure 2

6. Align the ring terminal of the black extension wire with the ring terminal of the power harness black wire.
7. Insert the 5/16" X 5/8" cap screw thru both ring terminals and secure with a 5/16" lock nut.
8. Slide the heat shrink tubing over the connection. Use a heat gun to shrink the tubing over the connection.
9. Connect the other end of the black extension wire to the negative terminal of the battery and re-connect the negative battery cable.

SNO-WAY® INTERNATIONAL, INC.

SNO-WAY
SNOW & ICE CONTROL EQUIPMENT

Hartford, WI 53027 USA
Website: www.snoway.com
©2015 Sno-Way® International