

SNO-WAY[®]

SNOW & ICE CONTROL EQUIPMENT

SERVICE PARTS MANUAL

**SNO-WAY[®] SPREADERS
4 CUBIC FOOT
6 CUBIC FOOT
& 9 CUBIC FOOT**

TABLE OF CONTENTS

	Page
PARTS LIST INTRODUCTION	2
HOPPER FRAME - 4 CUBIC FOOT (For Serial Numbers Before 4S200000) .	3
HOPPER FRAME - 4 CUBIC FOOT (For Serial numbers After 4S200000)	5
HOPPER FRAME - 6 CUBIC FOOT	7
HOPPER FRAME - 9 CUBIC FOOT	9
DRIVE - 4 CUBIC FOOT (For Serial Numbers Before 4S200000)	11
DRIVE - 4 CUBIC FOOT (For Serial numbers After 4S200000)	13
DRIVE (6 CUBIC FOOT)	15
DRIVE (9 CUBIC FOOT)	17
ELECTRICAL MOTORS	19
NUMERICAL INDEX	20
NOTE: For CONTROLLER SYSTEM WIRING - See Manual 97101915 - Snow Plow and Spreader Controls for parts breakdowns and details.	

PARTS LIST INTRODUCTION

Our dealership network stands by to provide you with any assistance you may require, including genuine Sno-Way service parts. All parts should be obtained from or ordered through your dealer. Give complete information about the part as well as the Model Number and Serial Number of your machine.

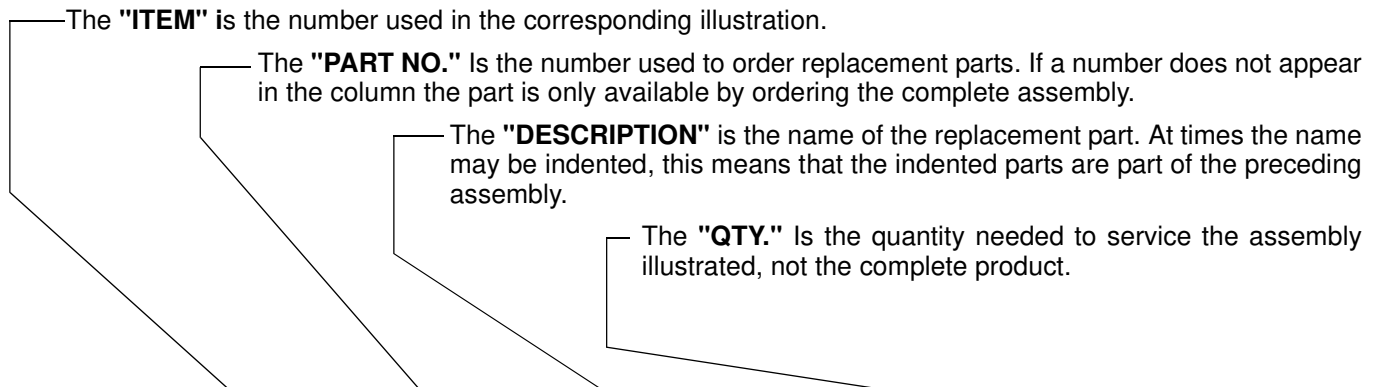
Record the Serial Number in the space provided in your Owner's Manual for quick reference. The Serial Number for the unit is on a plate located on the left frame gusset of the hopper frame.

"Right" and "Left" are determined from a position sitting on the operator's seat of the vehicle.

We reserve the right to make changes or improvements in the design or construction of any part without incurring the obligation to install such changes in any unit previously delivered.

USING THIS PARTS LIST

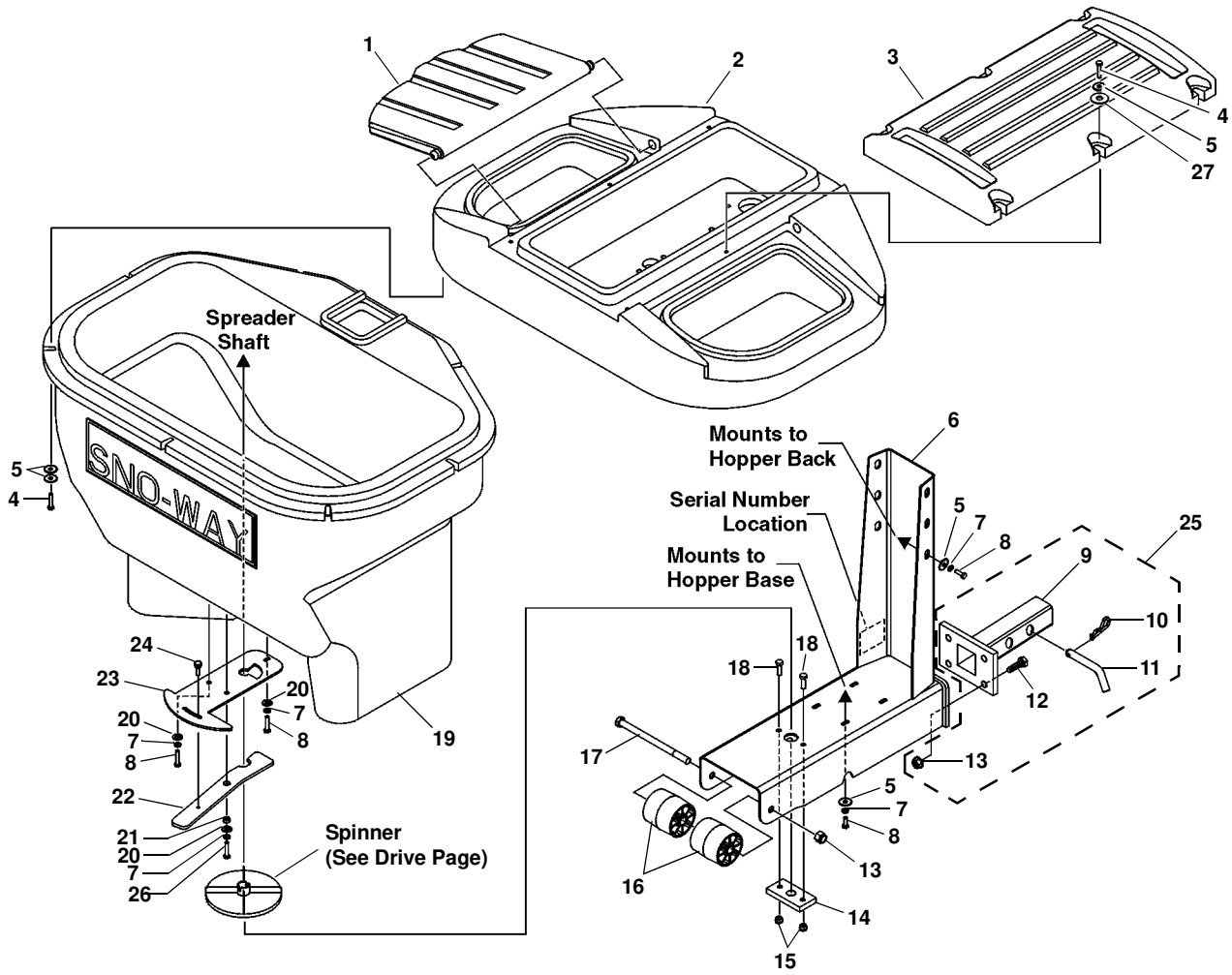
Below is parts listing with four columns. The first column is the "ITEM", the second is the "PART NUMBER", The third is the "DESCRIPTION" and the fourth is the "QUANTITY".



ITEM	PART NO.	DESCRIPTION	QTY.
1	96100083	O-ring	1
2	96001529	Elbow	3
3	98100036	Capscrew, Hex., 3/8"-16NC x 7/8"	9

HOPPER FRAME - 4 CUBIC FOOT

For Serial Numbers Before 4S200000



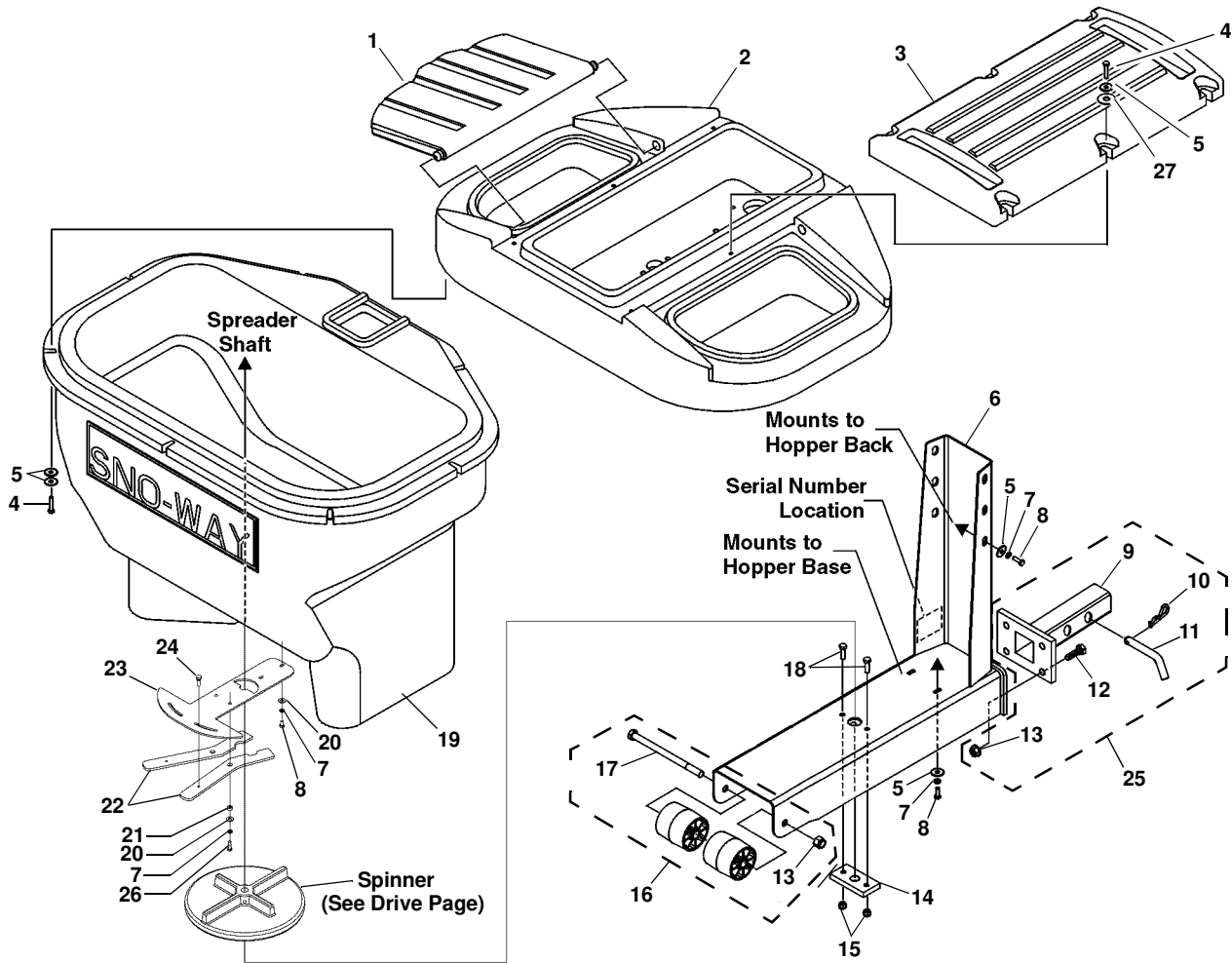
HOPPER FRAME - 4 CUBIC FOOT

For Serial Numbers Before 4S200000

ITEM	PART NO.	DESCRIPTION	QTY.
1	96107249	Lid, Flip	2
2	96116333	Platform, Motor	1
3	96107310	Cover, Motor	1
4	98100335	Capscrew, Hex Head, 1/4"-20 x 1-1/4", SS	13
5	98100333	Washer, Flat, 1" O.D. x 0.281 x 0.50, SS	30
6		Frame, Spreader.....	1
7	98009226	Washer, Lock, 1/4", SS.....	13
8	98100344	Cap Screw, Hex Head, 1/4"-20 x 1/2", SS.....	12
9	96105830	Hitch Tube Assembly.....	1
10	98009004	Pin, Spring	1
11	98100317	Pin, Bent Arm, 5/8" x 3" Hole.....	1
12	98100095	Bolt, 1/2"-13 x 1-3/4", Grade 8.....	4
13	98100349	Nut, Nylock, 1/2"- 13, SS.....	5
14	96108409	Bearing, Plastic.....	1
15	98100118	Nut, Nylock, 5/16"-18, SS.....	2
16	96107680	Roller, Plastic.....	2
17	98100348	Cap Screw, Hex Head, 1/2"-13 x 7-1/2", SS.....	1
18	98100131	Cap Screw, Hex Head, 5/16"-18 x 1", SS.....	2
19		Hopper	1
20	98100122	Washer, Flat, 1/4", SS	3
21	96107763	Spacer, Valve Plate.....	1
22	96107736	Plate, Flow Control	1
23	96107735	Plate, Flow Gate	1
24	96106458	Thumb Screw, Nylon, 1/4"-20 x 3/4".....	1
25	96105863	Assembly, Hitch Adaptor	1
26	98100343	Cap Screw, Hex Head, 1/4"-20 x 7/8", SS	1
27	98100347	Washer, Flat, 1-1/4" O.D. x 0.531 x 0.062, SS	6

HOPPER FRAME - 4 CUBIC FOOT

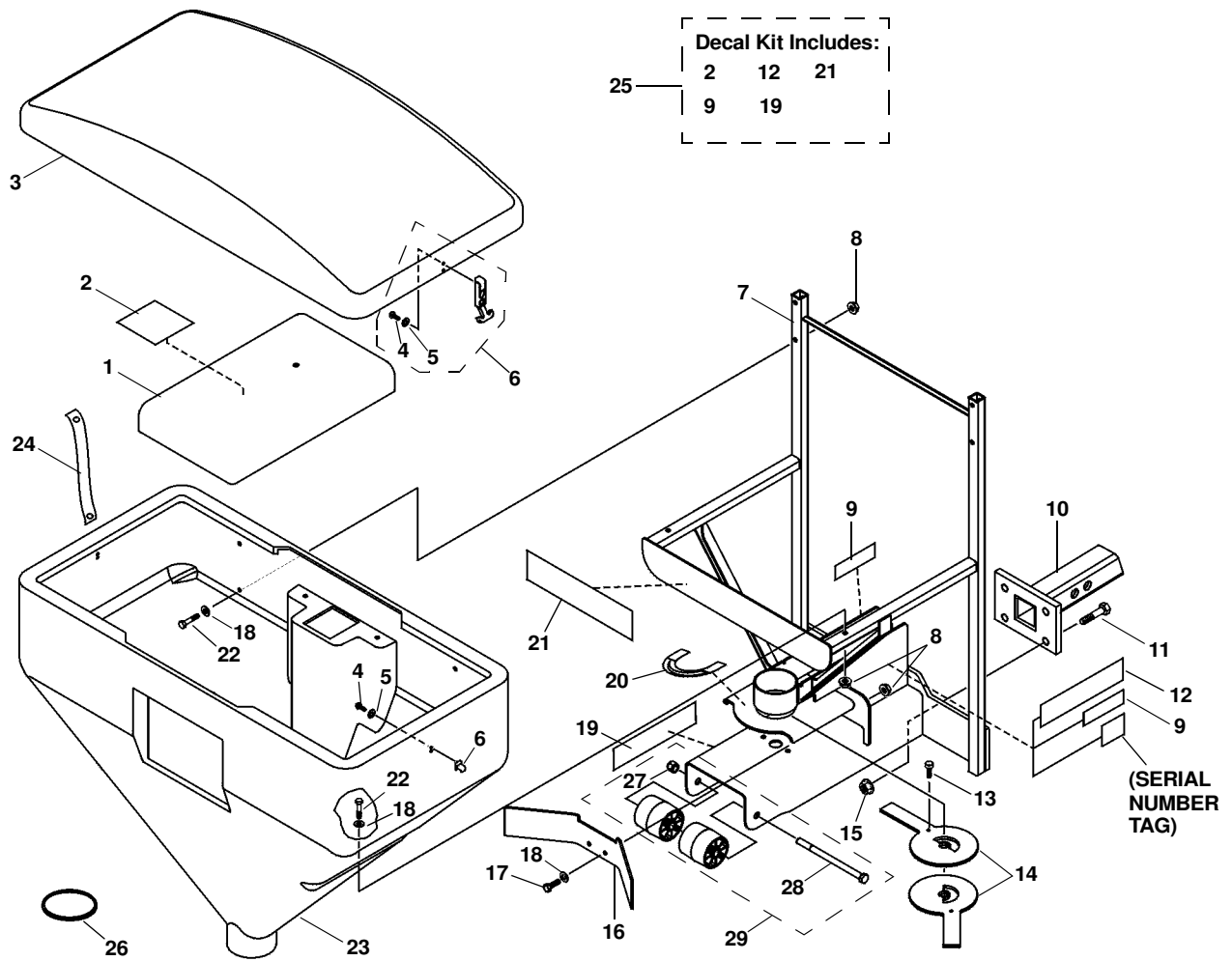
For Serial Numbers After 4S200000



HOPPER FRAME - 4 CUBIC FOOT For Serial Numbers After 4S200000

ITEM	PART NO.	DESCRIPTION	QTY.
1	96107249	Lid, Flip	2
2	96116333	Platform, Motor	1
3	96107310	Cover, Motor	1
4	98100335	Capscrew, Hex Head, 1/4"-20 x 1-1/4", SS	13
5	98100333	Washer, Flat, 1" O.D. x 0.281 x 0.50, SS	28
6		Frame, Spreader.....	1
7	98009226	Washer, Lock, 1/4", SS.....	12
8	98100344	Cap Screw, Hex Head, 1/4"-20 x 1/2", SS.....	10
9	96105830	Hitch Tube Assembly.....	1
10	98009004	Pin, Spring	1
11	98100317	Pin, Bent Arm, 5/8" x 3" Hole.....	1
12	98100095	Bolt, 1/2"-13 x 1-3/4", Grade 8.....	4
13	98100349	Nut, Nylock, 1/2"- 13, SS.....	5
14	96108409	Bearing, Plastic.....	1
15	98100118	Nut, Nylock, 5/16"-18, SS.....	2
16	96114699	Kit, Roller (Includes 13, 16, 17)	1
17	98100348	Cap Screw, Hex Head, 1/2"-13 x 7-1/2", SS.....	1
18	98100111	Cap Screw, Hex Head, 5/16"-18 x 1-1/4", SS.....	2
19		Hopper	1
20	98100122	Washer, Flat, 1/4", SS	3
21	96107763	Spacer, Valve Plate.....	1
22	96113268	Plate, Flow Control	2
23	96113267	Plate, Flow Gate	1
24	96106458	Thumb Screw, Nylon, 1/4"-20 x 3/4".....	2
25	96105863	Assembly, Hitch Adaptor	1
26	98100343	Cap Screw, Hex Head, 1/4"-20 x 7/8", SS	1
27	98100347	Washer, Flat, 1-1/4" O.D. x 0.531 x 0.062, SS	6

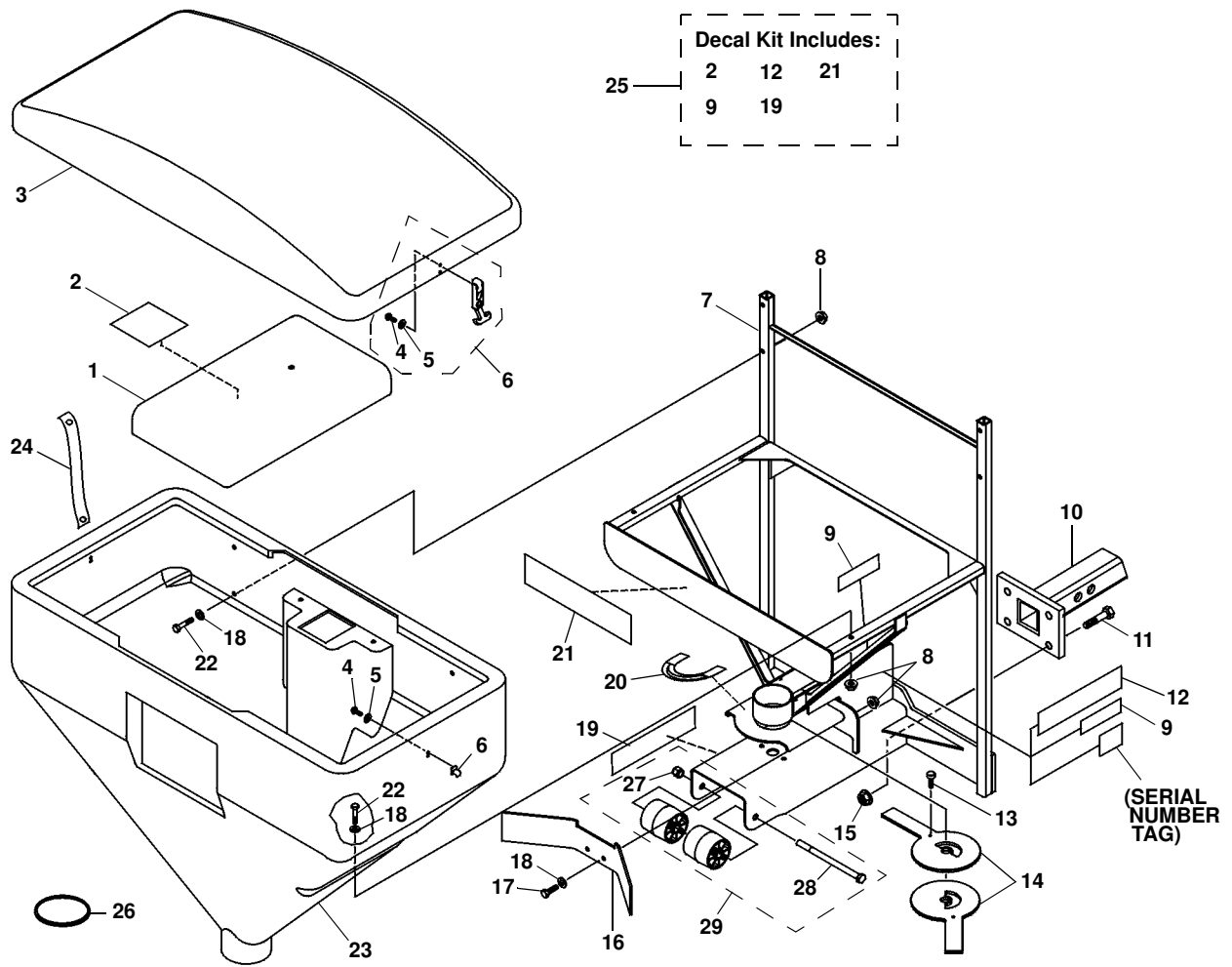
HOPPER FRAME (6 CUBIC FOOT)



HOPPER FRAME (6 CUBIC FOOT)

ITEM	PART NO.	DESCRIPTION	QTY.
1	96104701	Center Cover, 6 cu. ft. Spreader.....	1
2		Decal, Warning.....	1
3	96105442	Outer Cover, Spreader	1
4		Screw, Pan Head #10-24 x 3/4" SS	6
5		Washer, Flat #10 SS	6
6	96114700	Kit, Latch Spreader (Includes 4, 5, 6).....	2
7		Frame, Hitch Mount (SN 5S101001 & later)	1
		Frame, Hitch Mount (SN 5S100000 - 5S101000)	1
8	98100118	Nut, Nylock 5/16"-18 SS.....	8
9		Decal, Warning, GVWR, GAWR, GTW	2
10	96105830	Hitch Adapter Assembly.....	1
11	98100095	Bolt, 1/2"-13 x 1-3/4" Grade 8	4
12	97100550	Decal, Warning.....	2
13	96106458	Thumbscrew, 1/4-20 x 3/4", Black Nylon (SN 5S00000 To 6S199999)	1
	96112895	Knob, Valve Spreader (SN 6S120500 & later)	1
14	96107273	Plate, Flow Gate (Two paddle system 5-3/4") (SN 6S100000 - 6S199999).....	2
	96105659	Plate, Flow Gate (One paddle system 3-1/2") (SN 5S100000 - 5S101000).....	1
	96112896	Plate, Gate, Slotted (SN 6S200000 & later).....	2
15	98009013	Nut, Nylock 1/2"-13	4
16	96112071	Deflector, Plate (SN 5S101001 & later).....	1
17	98100131	Cap Screw, Hex Head 5/16"-18 x 1" SS	2
18	98100123	Washer, Flat 5/16" SS	8
19		Decal, Warning.....	2
20	97100794	Decal, ON/OFF Flow Control (SN 5S100000 - 5S101000).....	1
21		Decal, Sno-Way	1
22	98100115	Cap Screw, Hex Head 5/16"-18 x 1-3/4"	6
23		Hopper	1
24	96107220	Strap, Lid.....	1
25	96105794	Kit, Decal (Includes items 2, 9, 12, 19, 21)	1
26	96107831	Ring, Support, 6 Cu. Ft.	1
27		Nut, Nylock, 1/2"-13, SS.....	1
28		Bolt, 1/2"-13 x 7-1/2", SS	1
29	96114699	Kit, Wheel Spreader (Includes 27, 28, 29)	2

HOPPER FRAME (9 CUBIC FOOT)



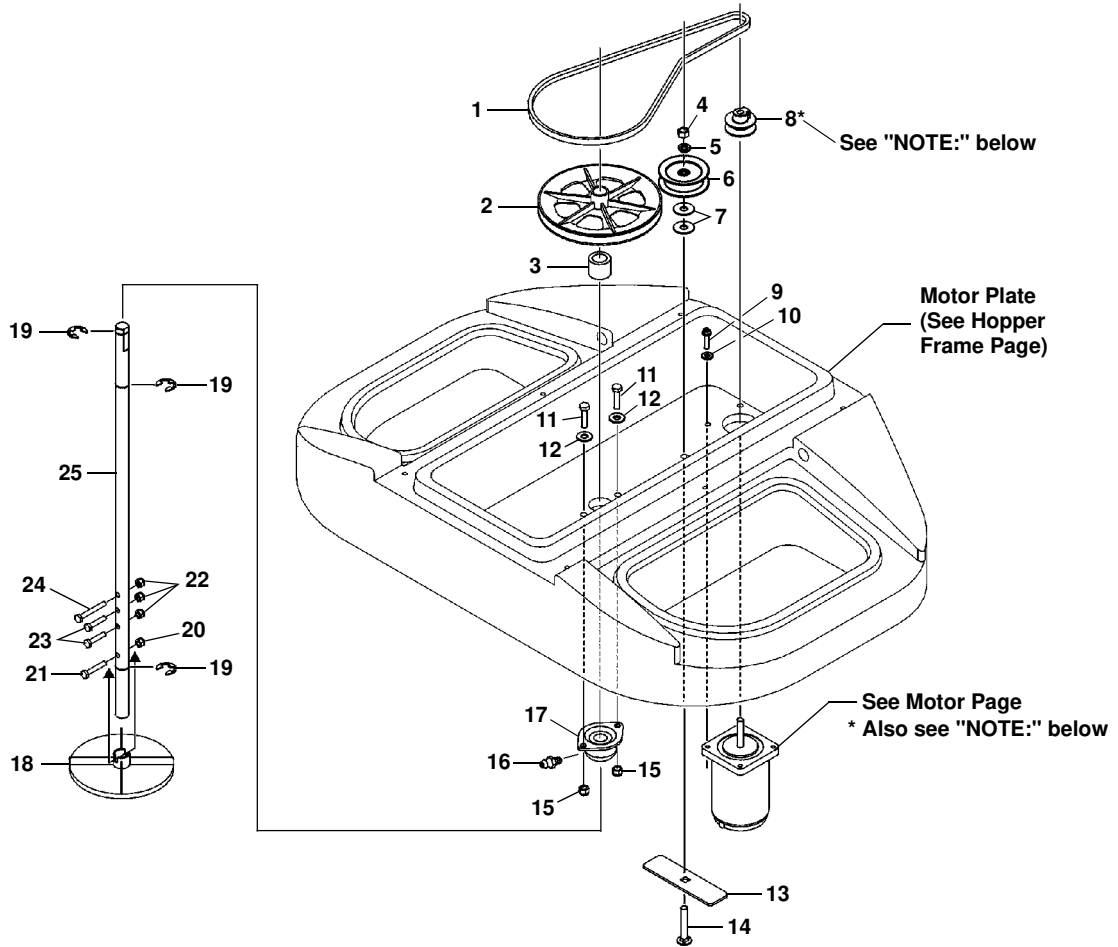
Decal Kit Includes:

2	12	21
9	19	

HOPPER FRAME (9 CUBIC FOOT)

ITEM	PART NO.	DESCRIPTION	QTY.
1	96114702	Center Cover, 9 cu.ft.Spreader.....	1
2		Decal, Warning.....	1
3	96106128	Outer Cover, Spreader	1
4		Screw, Pan Head #10-24 x 3/4" SS.....	6
5		Washer, Flat #10 SS.....	6
6	96114700	Kit, Latch Spreader (Includes 4, 5, 6).....	2
7		Frame, Hitch Mount (SN 9S100501 & later).....	1
		Frame, Hitch Mount (SN 9S100000 - 9S100500)	1
8	98100118	Nut, Nylock 5/16"-18 SS.....	8
9		Decal, Warning, GVWR, GAWR, GTW.....	2
10	96105830	Hitch Adapter Assembly	1
11	98100095	Bolt, 1/2"-13 x 1-3/4" Grade 8	4
12		Decal, Warning	2
13	96106458	Thumbscrew, 1/4-20 x 3/4", Black Nylon.....	1
	96112895	Knob, Valve Spreaders (SN 9S120500 & later).....	1
14	96107273	Plate, Flow Gate (Two paddle system 5-3/4") (SN 9S100000 - 9S199999).....	2
	96106134	Plate, Flow Gate (One paddle system 4-3/4") (SN 9S100000 - 9S100500).....	1
	96112896	Plate, Gate, Slotted (SN 9S200000 & later).....	2
15	98009013	Nut, Nylock 1/2"-13.....	4
16	96112071	Deflector, Plate.....	1
17	98100131	Capscrew, Hex head 5/16"-18 x 1" SS.....	2
18	98100123	Washer, Flat 5/16" SS	8
19		Decal, Warning	2
20		Decal, ON/OFF Flow Control (SN 9S100000 - 9S100500).....	1
21		Decal, Sno-Way	1
22	98100115	Capscrew, Hex Head 5/16"-18 x 1-3/4".....	6
23		Hopper (SN 9S100501 & later)	1
		Hopper (SN 9S100000 - 9S100500)	1
24	96107220	Strap, Lid	1
25	96105794	Kit, Decal (Includes items 2, 9, 12, 19, 21).....	1
26	96107830	Ring, Support, 9 Cu. Ft.....	1
27		Nut, Nylock, 1/2"-13, SS.....	1
28		Bolt, 1/2"-13 x 7-1/2", SS.....	1
29	96114699	Kit, Wheel Spreader (Includes 27, 28, 29).....	2

DRIVE - 4 CUBIC FOOT For Serial Numbers Before 4S200000



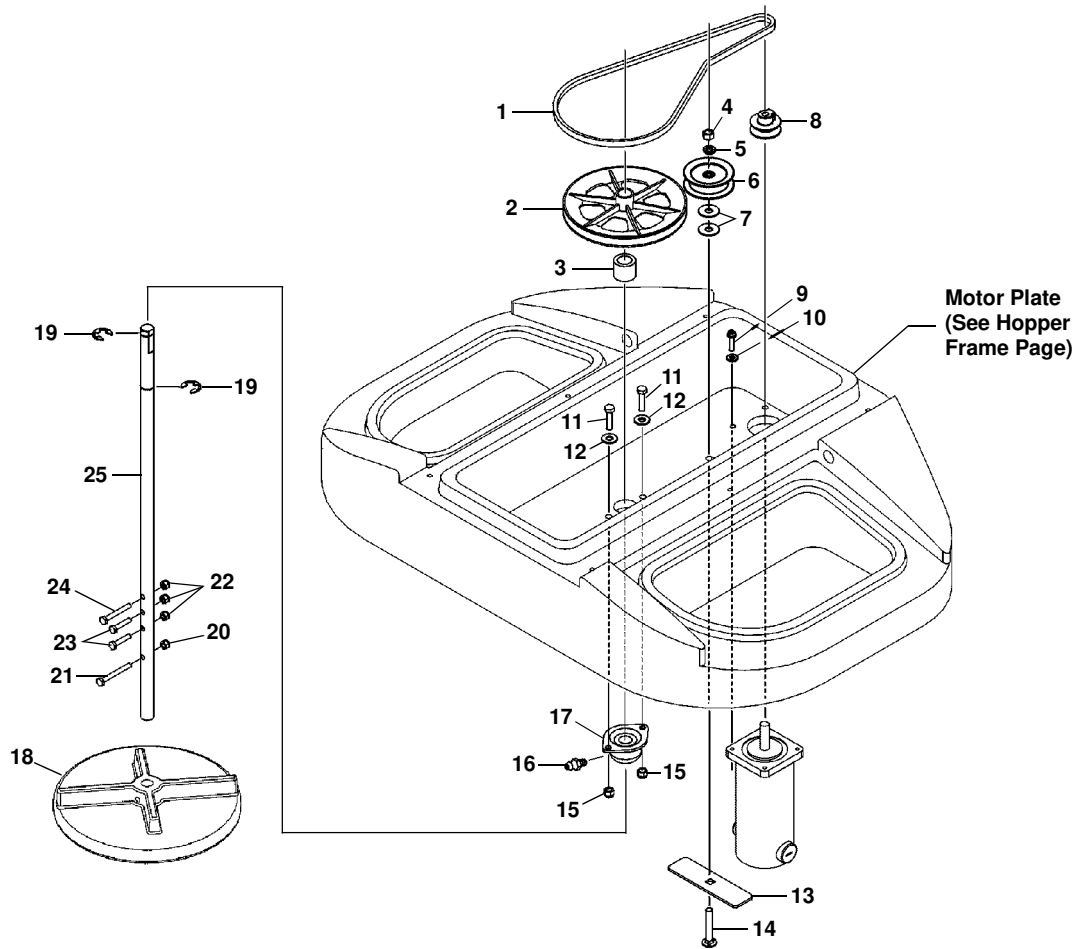
*NOTE: If you order a new motor be certain to also order a new sheave (Key #8).

DRIVE - 4 CUBIC FOOT

For Serial Numbers Before 4S200000

ITEM	PART NO.	DESCRIPTION	QTY.
1	96107237	V-Belt, 37" O.C.	1
2	96107072	Sheave, V-Belt, 7" O.D.	1
3	96107183	Spacer, Spreader Shaft.....	1
4	98100120	Nut, Hex, 3/8"-16, SS	1
5	98100125	Washer, Lock, 3/8", SS.....	1
6	96108572	Pulley, 4" Idler.....	1
7	98100350	Washer, Flat, 3/8", 13/32" I.D., 1-1/2" O.D. ZD.....	2
8	96107363	Sheave, V-Belt, 1-3/4" O.D.....	1
9	98100139	Cap Screw, 1/4"-20 x 1", Type F.....	4
10	98009029	Washer, Flat, 1/4", Type A, Narrow	4
11	98100111	Cap Screw, Hex Head, 5/16"-18 x 1-1/4", SS.....	2
12	98100123	Washer, Flat, 5/16", SS	2
13	96107362	Plate, Tensioner Support	1
14	98100128	Bolt, Carriage, 3/8"-16 x 2-1/4", SS.....	1
15	98100118	Nut, Nylock, 5/16"-18, SS.....	2
16	96108360	Kit, Zerk (2 Zerks in kit)	1
17	96107287	Bearing, Flange Mount	1
18	96107079	Spinner, 6 Inch.....	1
19	98100312	E-Ring, 3/4"	3
20	98100336	Nut, Nylock, 1/4"-20, SS	1
21	98100127	Cap Screw, Hex Head, 1/4"-20 x 1-1/2", SS.....	1
22	98100255	Nut, Nylock, 1/4"-20.....	3
23	98100253	Cap Screw, Hex Head, 1/4"-20 x 1-1/4"	2
24	98100299	Cap Screw, Hex Head, 1/4"-20 x 2".....	1
25	96107071	Shaft, Spreader (no hardware)	1

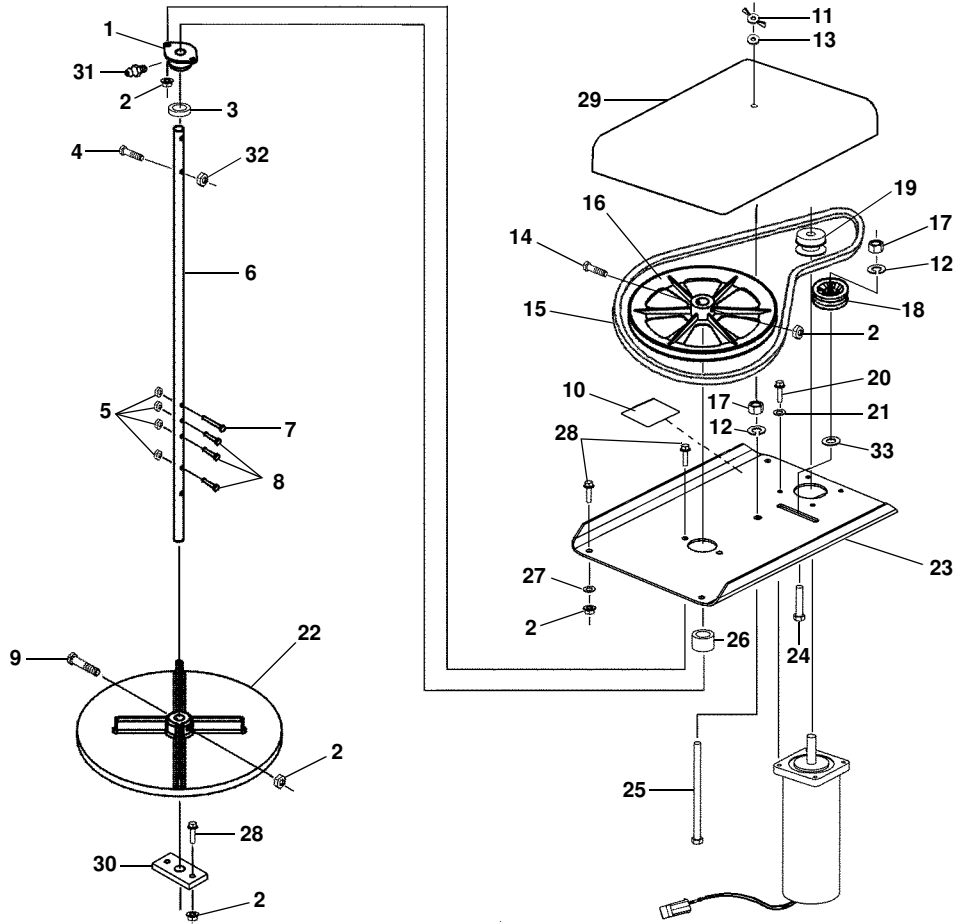
DRIVE - 4 CUBIC FOOT For Serial Numbers After 4S200000



DRIVE - 4 CUBIC FOOT For Serial Numbers After 4S200000

ITEM	PART NO.	DESCRIPTION	QTY.
1	96107237	V-Belt, 37" O.C.	1
2	96107072	Sheave, V-Belt, 7" O.D.	1
3	96107183	Spacer, Spreader Shaft.....	1
4	98100120	Nut, Hex, 3/8"-16, SS	1
5	98100125	Washer, Lock, 3/8", SS.....	1
6	96108572	Pulley, 4" Idler.....	1
7	98100350	Washer, Flat, 3/8", 13/32" I.D., 1-1/2" O.D. ZD.....	2
8	96107363	Sheave, V-Belt, 1-3/4" O.D.....	1
9	98100139	Cap Screw, 1/4"-20 x 1", Type F.....	4
10	98009029	Washer, Flat, 1/4", Type A, Narrow	4
11	98100111	Cap Screw, Hex Head, 5/16"-18 x 1-1/4", SS.....	2
12	98100123	Washer, Flat, 5/16", SS	2
13	96107362	Plate, Tensioner Support	1
14	98100128	Bolt, Carriage, 3/8"-16 x 2-1/4", SS.....	1
15	98100118	Nut, Nylock, 5/16"-18, SS.....	2
16	96108360	Kit, Zerk (2 Zerks in kit)	1
17	96107287	Bearing, Flange Mount	1
18	96105395	Spinner, 12 Inch.....	1
19	98100312	E-Ring, 3/4"	2
20	98100118	Nut, Nylock, 5/16"-18, SS.....	1
21	98100281	Cap Screw, Hex Head, 5/16"-18 x 2-1/2", SS.....	1
22	98100255	Nut, Nylock, 1/4"-20.....	3
23	98100253	Cap Screw, Hex Head, 1/4"-20 x 1-1/4"	2
24	98100299	Cap Screw, Hex Head, 1/4"-20 x 2".....	1
25	96113270	Shaft, Spreader (no hardware)	1

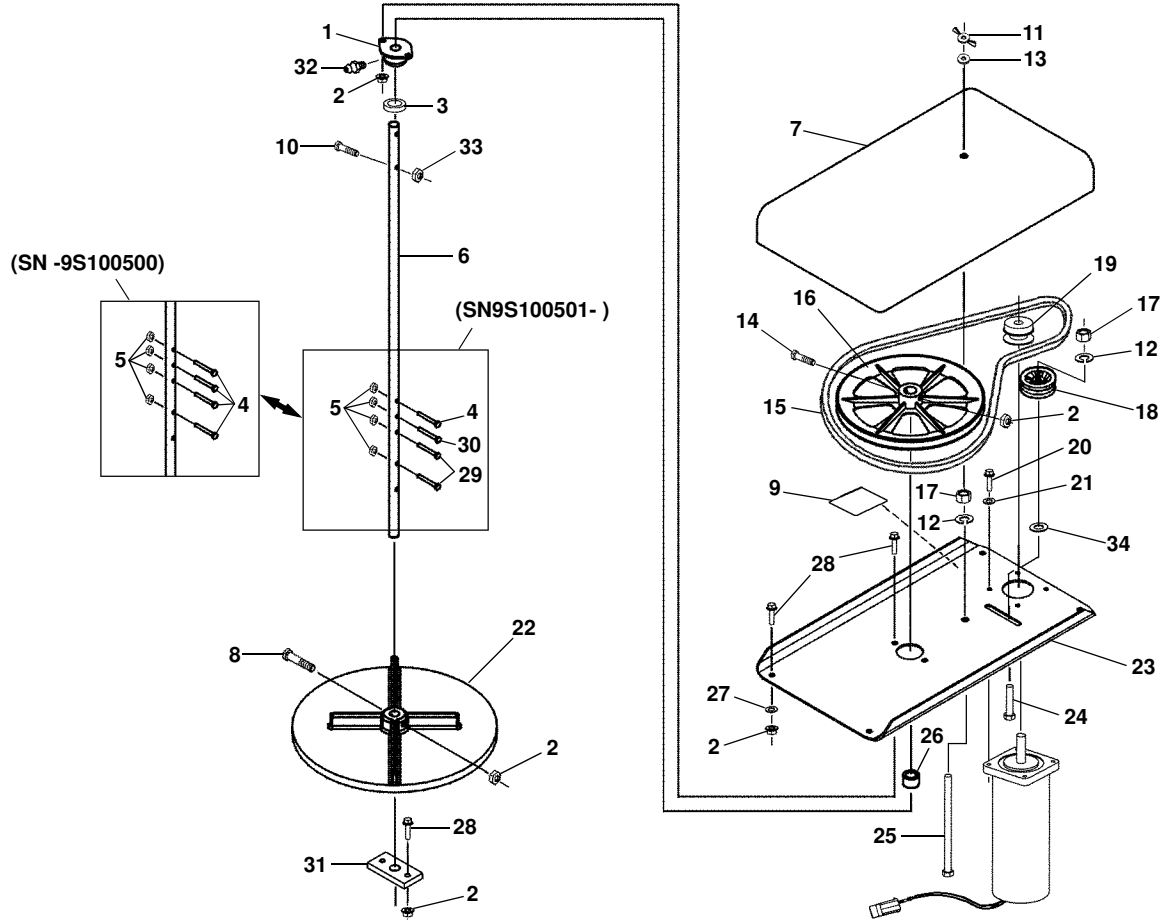
DRIVE (6 CUBIC FOOT)



DRIVE (6 CUBIC FOOT)

ITEM	PART NO.	DESCRIPTION	QTY.
1	96107287	Bearing, Flange Mount.....	1
2	98100118	Nut, Nylock, 5/16"-18 SS.....	10
3	98009030	Washer, 3/4" ZP	1
4	98100335	HHCS, .25-20 X 1-1/4, 18-8 SS	1
5	98100255	Nut, Nylock, 1/4"-20	4
6	96107305	Shaft, Spreader (no hardware) (SN 5S101001 & later).....	1
	96105378	Shaft, Spreader (no hardware) (SN 5S100000 - 5S101000)	1
7	98100337	Capscrew, Hex Head, 1/4-20 x 1-3/4"	1
8	98100253	Capscrew, Hex Head, 1/4-20 x 1-1/4"	3
9	98100281	Bolt, 5/16"-18 x 2-1/2" SS	1
10		Decal, Warning	1
11	98100284	Nut, Wing, 3/8"-16.....	1
12	98100125	Washer, Lock, 3/8" SS	2
13	98100124	Washer, Flat, 3/8" SS	2
14	98100131	HHCS, .31-18 X 1.25 SS.....	1
15	96105791	V-Belt, 39" (SN 5S100000 - 6S199999).....	1
	96112900	Belt, AX33 (1/2 X 35") (SN 6S200000 & later)	1
16	96102026	Sheave, 9" (SN 5S100000 - 6S199999)	1
	96107072	Sheave, 7.00 OD, 0.75 ID (SN 6S200000 & later)	1
17	98100120	Nut, Hex, 3/8"-16 SS.....	2
18	96102034	Pulley, Idler, 2".....	1
19	96102016	Sheave, V-Belt, 1-1/2"	1
20	98100139	Screw, Self-Tapping, 1/4"-20 x 1"	4
21	98009226	Washer, Lock, 1/4" SS	4
22	96105395	Spinner, 12"	1
23	96116330	Plate, Motor.....	1
24	98100128	Bolt, Carriage, 3/8"-16 x 2-1/4", SS.....	1
25	98100283	Capscrew, 3/8"-16 x 4", Full Thread.....	1
26	96102025	Spacer	1
27	98100123	Washer, Flat, 5/16" SS	4
28	98100111	Cap Screw, Hex Head, 5/16"-18 x 1-1/4", SS	8
29	96114701	Cover, Center, 6 cu. ft.	1
30	96108409	Bearing, Plastic	1
31	96108360	Kit, Zerk (2 Zerks in Kit)	1
32	98100336	LN, 1/4-20, Nylon Insert, 18-8 SS	1
33	98100347	Washer, Flat, 1/2" SS	1

DRIVE (9 CUBIC FOOT)



DRIVE (9 CUBIC FOOT)

ITEM	PART NO.	DESCRIPTION	QTY.
1	96107287	Bearing, Flange Mount.....	1
2	98100118	Nut, Nylock, 5/16"-18 SS.....	10
3	98009030	Washer, 3/4", ZP	1
4	98100299	Capscrew, Hex Head, 1/4"-20 x 2" (SN 9S100501 & later).....	1
	98100299	Capscrew, Hex Head, 1/4"-20 x 2" (SN 9S100000 - 9S100500).....	4
5	98100255	Nut, Nylock, 1/4"-20	4
6	96107306	Shaft, Spreader (no hardware) (SN 9S100501 & later)	1
	96106129	Shaft, Spreader (no hardware) (SN 9S100000 - 9S100500)	1
7	96114702	Cover, Center, 9 cu. ft.....	1
8	98100281	Bolt, 5/16"-18 x 2-1/2" SS.....	1
9	97100700	Decal, Warning	2
10	98100335	HHCS, .25-20 X 1-1/4, 18-8 SS	1
11	98100284	Nut, Wing, 3/8"-16	1
12	98100125	Washer, Lock, 3/8" SS.....	2
13	98100127	Washer, Flat, 3/8" SS	2
14	98100131	HHCS, 0.31-18 X 1.25 SS.....	1
15	96105791	V-Belt, 39" (SN 9S100000 - 9S199999)	1
	96112900	Belt, AX33 (1/2 X 35") (SN 9S20000 & later)	1
16	96102026	Sheave, 9" (SN 9S100000 - 9S199999)	1
	96107072	Sheave, 7.00 OD, 0.75 ID, WSSC, No Keyway (SN 9S200000 & later)	1
17	98100120	Nut, Hex, 3/8"-16 SS	2
18	96102034	Pulley, Idler, 2"	1
19	96102016	Sheave, V-Belt, 1-1/2"	1
20	98100139	Screw, Self-Tapping, 1/4"-20 x 1"	4
21	98009226	Washer, Lock, 1/4" SS.....	4
22	96105395	Spinner, 12" (SN 9S100501 & later).....	1
	96106135	Spinner, 16" (SN 9S100000 - 9S100500).....	1
23	96106327	Plate, Motor.....	1
24	98100128	Bolt, Carriage, 3/8"-16 x 2-1/4" SS.....	1
25	98100283	Capscrew, 3/8"-16 x 4", Full Thread.....	1
26	96102025	Spacer	1
27	98100123	Washer, Flat, 5/16" SS	4
28	98100111	Capscrew, Hex Head, 5/16"-18 x -1/41" SS.....	8
29	98100253	Capscrew, Hex Head, 1/4-20 x 1-1/4" (SN 9S100501 & later).....	2
30	98100337	Capscrew, Hex Head, 1/4-20 x 1-3/4" (SN 9S100501 & later).....	1
31	96108409	Bearing, Plastic	1
32	96108360	Kit, Zerk (2 Zerks in Kit).....	1
33	98100336	LN, 1/4-20, Nylon Insert, 18-8 SS	1
34	98100347	Washer, Flat, 3/8" SS	1

ELECTRICAL MOTOR

Motor - Type A



1, 2

Motor - Type B



1, 3

Motor - Type C



1, 4

ITEM	PART NO.	DESCRIPTION	QTY
1	96113295	Motor - Type A, B or C.....	1
2	96105922	Brush Card Kit - Motor Type A	1
3	96113372	Brush Kit - Motor Type B	1
4	96114609	Brush Kit - Motor Type C	1

NOTE: For serial numbers before 4S200000 on 4 cubic foot spreaders, order motor sheave #96107363.

NUMERICAL INDEX

PART NO.	PAGE	ITEM	PART NO.	PAGE	ITEM	PART NO.	PAGE	ITEM
96102016	16	19	96107237	12	1	96113268	6	22
	18	19		14	1	96113270	14	25
96102025	16	26	96107249	4	1	96113295	19	1
	18	26		6	1	96113372	19	3
96102026	16	16	96107273	8	14	96114609	19	4
	18	16		10	14	96114699	6	16
96102034	16	18	96107287	12	17		8	29
	18	18		14	17		10	29
96104701	8	1		16	1			
96105378	16	6		18	1	96114700	8	6
96105395	14	18	96107305	16	6		10	6
	16	22	96107306	18	6	96114701	16	29
	18	22	96107310	4	3	96114702	10	1
96105442	8	3		6	3		18	7
96105659	8	14	96107362	12	13	96116327	18	23
96105791	16	15		14	13	96116330	16	23
	18	15	96107363	12	8	96116333	4	2
96105794	8	25		14	8		6	2
	10	25	96107680	4	16	97100550	8	12
96105830	4	9	96107735	4	23	97100700	18	9
	6	9	96107736	4	22	97100794	8	20
	8	10	96107763	4	21	98009004	4	10
	10	10		6	21		6	10
96105863	4	25	96107830	10	26	98009013	8	15
	6	25	96107831	8	26		10	15
96105922	19	2	96108360	12	16	98009029	12	10
96106128	10	3		14	16		14	10
96106129	18	6		16	31	98009030	16	3
96106134	10	14		18	32		18	3
96106135	18	22	96108409	4	14	98009226	4	7
96106458	4	24		6	14		6	7
	6	24		16	30		16	21
	8	13		18	31		18	21
	10	13	96108572	12	6	98100095	4	12
96107071	12	25		14	6		6	12
96107072	12	2	96112071	8	16		8	11
	14	2		10	16		10	11
	16	16	96112895	8	13			
	18	16		10	13	98100111	6	18
96107079	12	18	96112896	8	14		12	11
96107183	12	3		10	14		14	11
	14	3					16	28
96107220	8	24	96112900	16	15		18	28
	10	24		18	15	98100115	8	22
			96113267	6	23		10	22

NUMERICAL INDEX

PART NO.	PAGE	ITEM	PART NO.	PAGE	ITEM	PART NO.	PAGE	ITEM
98100118	4	15		16	5			
	6	15		18	5			
	8	8	98100281	14	21			
	10	8		16	9			
	12	15		18	8			
	14	15	98100283	16	25			
	14	20		18	25			
	16	2	98100284	16	11			
18	2	18		11				
98100120	12	4	98100299	12	24			
	14	4		14	24			
	16	17		18	4			
	18	17						
98100122	4	20	98100312	12	19			
	6	20		14	19			
98100123	8	18	98100317	4	11			
	10	18		6	11			
	12	12	98100333	4	5			
	14	12		6	5			
	16	27		98100335	4	4		
18	27	6	4					
98100124	16	13		16	4			
98100125	12	5	98100336	18	10			
	14	5		12	20			
	16	12		16	32			
	18	12		18	33			
98100127	12	21	98100337	16	7			
	18	13		18	30			
98100128	12	14	98100343	4	26			
	14	14		6	26			
	16	24	98100344	4	8			
	18	24		6	8			
98100131	4	18	98100347	4	27			
	8	17		6	27			
	10	17		16	33			
	16	14		18	34			
	18	14						
98100139	12	9	98100348	4	17			
	14	9		6	17			
	16	20	98100349	4	13			
	18	20		6	13			
98100253	12	23	98100350	12	7			
	14	23		14	7			
	16	8						
	18	29						
98100255	12	22						
	14	22						

NOTES

SNO-WAY® INTERNATIONAL, INC.

SNO-WAY
SNOW & ICE CONTROL EQUIPMENT

Hartford, WI 53027 USA
Website: www.snoway.com
©2017 Sno-Way® International