

SNO-WAY®

SNOW & ICE CONTROL EQUIPMENT

ASSEMBLY & INSTALLATION INSTRUCTIONS

**VEHICLE MOUNT KIT 99101186
FOR UTV SERIES PLOW**

TO FIT
2011 & Later - Kioti Mecron 2200



©2014 Sno-Way® International

97101914A



1. THINK SAFETY, ALWAYS WEAR SAFETY GLASSES WHEN PERFORMING THE OPERATIONS PRESCRIBED IN THESE INSTRUCTIONS
2. READ ALL INSTRUCTIONS CAREFULLY BEFORE ATTEMPTING INSTALLATION
3. BEFORE BEGINNING WORK MAKE SURE TO SET PARKING BRAKE AND CHOCK WHEELS



ASSEMBLY TOOLS NEEDED

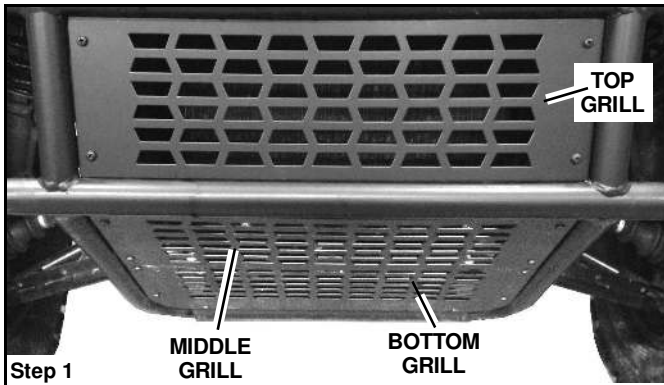
Impact Sockets	SAE & Metric
Wrenches	SAE & Metric
Drill	
Drill Bit	13/32"
Torque Wrench	
Rat Tail Pry Bar	
Center Punch and Hammer	
C-Clamp	
Screwdrivers	

INSTALLATION NOTES

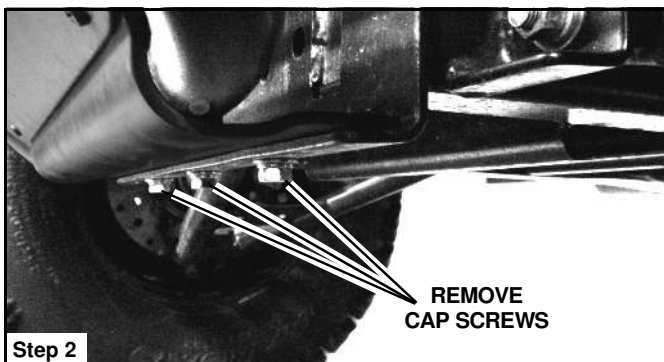
1. Vehicle should be parked on a level surface with a normal vehicle load on the FRONT suspension.
2. On some vehicles it may be necessary to raise or stiffen the suspension to decrease the vehicles front suspension sag with the snow plow in place.
3. Unless otherwise specified, mount all Vehicle Mount Kit Components to vehicle before tightening any hardware.
4. It is recommended that LOCTITE®, or similar thread locking product, be used on ALL mounting hardware (i.e. Nuts, Cap Screws, Bolts, etc.).
5. Items in parentheses () refer to quantity required for this step. Items in parentheses with a pound sign (#) indicate the part number as found in the parts list on the last page of this document.
Example: (2) 1/2" Lock Washers (#9).

MOUNTING INSTRUCTIONS

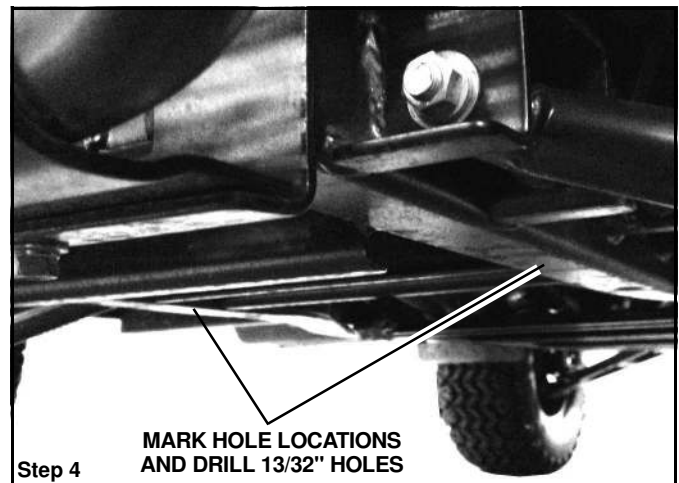
1. The Kioti 2200 has three grill sections. Remove the top section and the bottom section. Leave the middle section in place.



2. Remove the 3 bottom hex head cap screws that hold the bumper/brush guard to the frame.

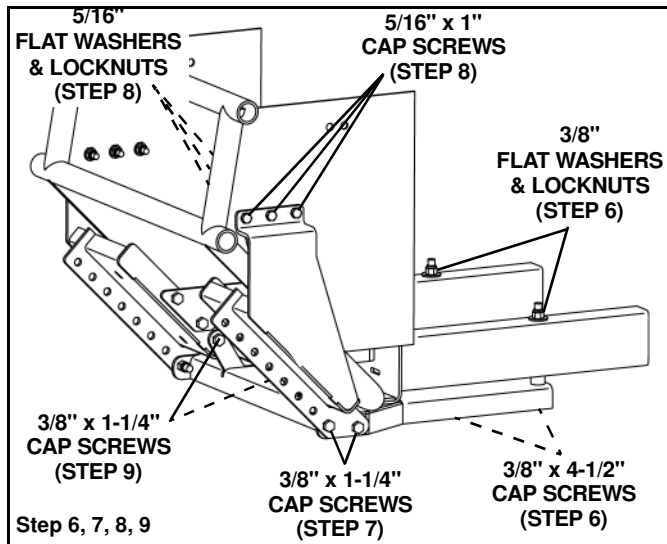


3. Align the front 3 holes of the Bottom Bracket (#3) with the holes in the bottom of the bumper/brush guard and frame. Insert 3 M8 X 30 Hex Head Cap Screws (#8) and M8 Lock Washers (#9). Tighten hardware.
4. Mark the location of the rear holes in the Bottom Bracket (#3) on the frame. Remove the Bottom Bracket (#3) and drill (2) 13/32" dia holes in the frame. The hole should pass all the way thru the bottom and top wall of the tube.



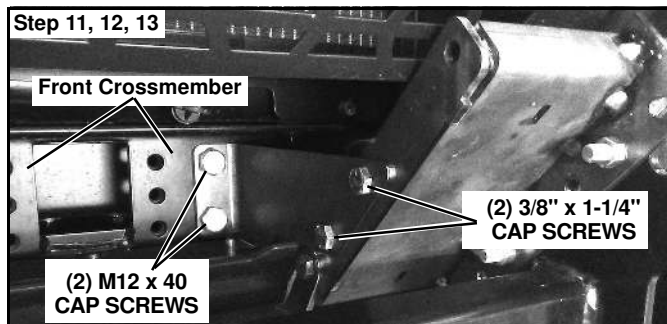
5. Align the front three holes in the Bottom Bracket (#3) with the existing holes in the frame. Place (3) M8 X 30 Hex Head Cap Screws (#8) and M8 Lock Washers (#9) in the front 3 holes.

- Insert (2) 3/8" X 4-1/2 Hex Head Cap Screws (#13) from the bottom into the Rear Bracket holes and through the new holes drilled in the frame. Place (2) 3/8" Wide Flat Washers (#14) over the cap screws resting on top of the frame tube. Secure with (2) 3/8" Lock Nuts (#15). Do not tighten hardware at this time.



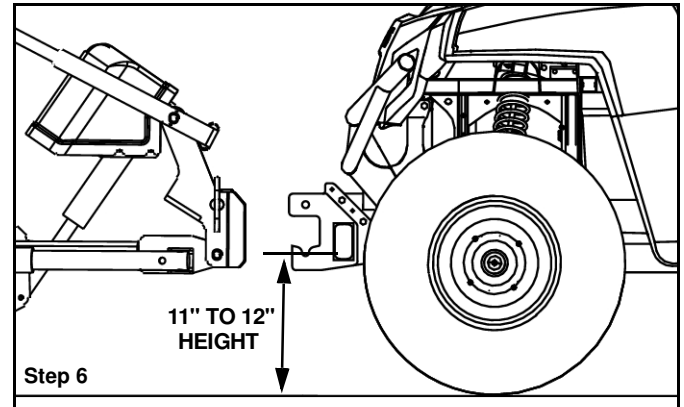
- Align the 2 bottom outside holes of the Drivers Side Bracket (#1) with the bottom side holes of the Bottom Bracket (#3). Insert (2) 3/8" x 1-1/4" (#16) Hex Head Cap Screws. Secure with (2) 3/8" Lock Nuts (#15). Do not tighten.
- Insert (3) 5/16" x 1 Hex Head Cap Screws (#11) thru the 3 top holes of the Drivers Side Bracket (#1) and into the square side holes of the bumper/brush guard assembly. Secure with (3) 5/16" Flat Washers (#10) and (3) 5/16" Lock Nuts (#12). Do not tighten.
- Insert (1) 3/8" X 1-1/4" (#16) Hex Head Cap Screw into bottom inside hole of Drivers Side Bracket thru the mating hole in the Bottom Bracket (#3). Secure with (1) 3/8" Lock Nut (#15). Do not tighten.
- Repeat steps 7-9 with the Passengers Side Bracket (#2).
- Align the holes in the Drivers Side Rear Bracket (#4) with the inside (2) holes of the Drivers Side Bracket (#1) and the (2) holes in the front cross-member of the frame.

Install (2) M12 X 40 Hex Head Cap Screws (#6) and (2) M12 Lock Washers (#7) to attach the Drivers Side Rear Bracket (#4) to the frame cross-member.



- Attach the Drivers Side Rear Bracket (#4) to the Drivers Side Bracket (#1) with (2) 3/8" X 1-1/4" Hex Head Cap Screws (#16) and (2) 3/8" Lock Nuts (#15).

- Tighten the M12 Cap Screws (#6 - Step 11) and the (3) 3/8" Cap Screws (#16 - Steps 9 and 12) to secure the Drivers Side Rear Bracket (#4) to the machine.
- Repeat steps 11 -13 to install the with the Passengers Side Rear Bracket (#5).
- Position the UTV Mount (#17) on the machine. Align the Mount holes with the Brackets (# 1 & 2) to provide an 11" to 12" height between the lower pin slots and the ground.



IMPORTANT: Height from the bottom of the lower pin slots on the UTV Mount to the ground should be between 11" and 12" to ensure proper operation.

NOTE: You may need to remove and re-install the front 3/8" X 1-1/4" (#16) Cap Screw between the Bottom Bracket (#3) and the Passenger and Driver Side Brackets(#1 and #2 - installed in Step 7) to properly set the UTV mount height.

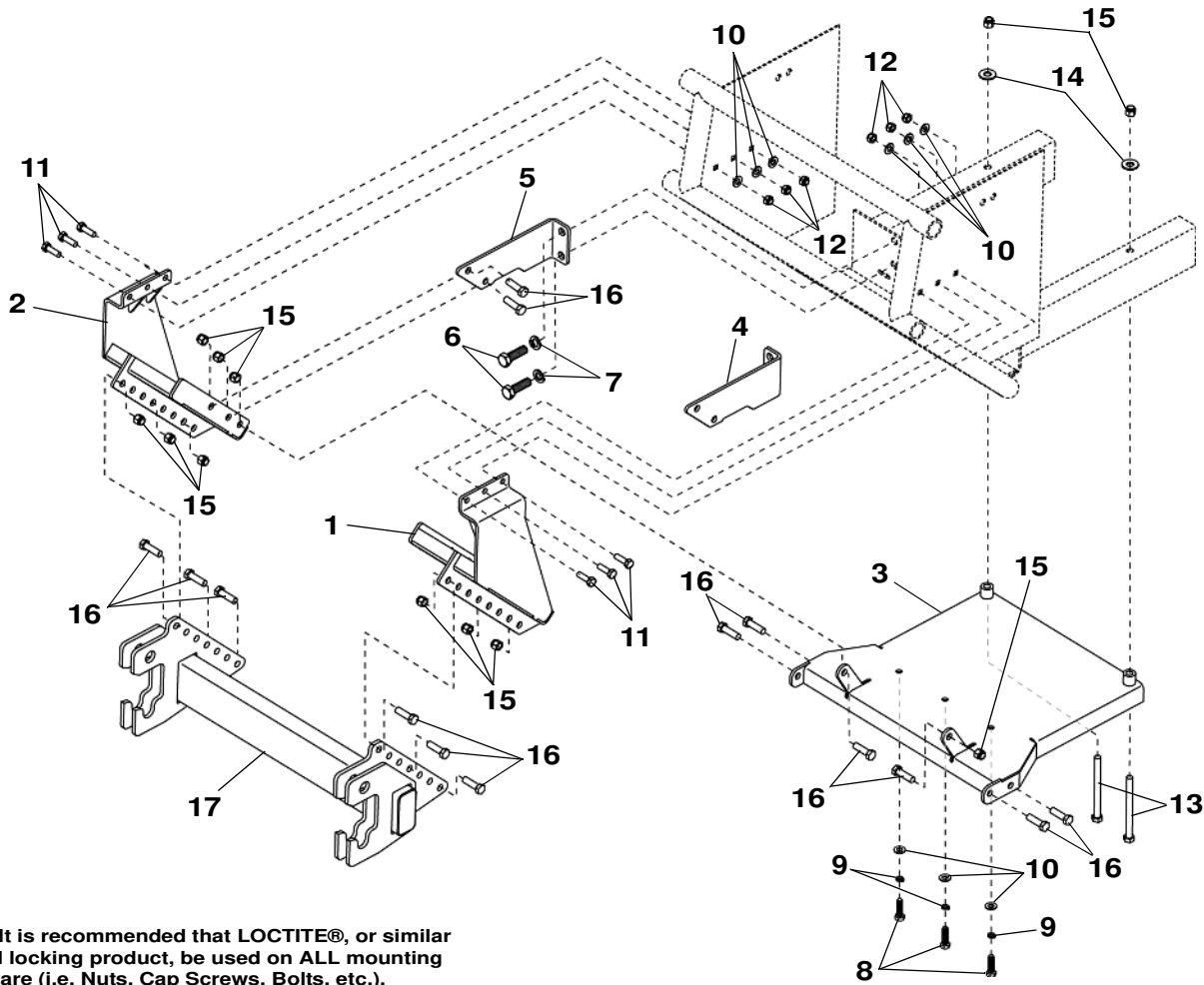
- Secure the UTV mount (#17) with (6) 3/8" x 1-1/4" Hex Head Cap Screws (#16) and (6) 3/8" Lock Nuts (#15).
- Tighten all remaining hardware.
- Replace upper grille. Save the lower grill to re-install if snow plow mount is removed from the machine.
- Torque all hardware using the Torque Specification Chart below:

TORQUE SPECIFICATIONS FOR STANDARD MACHINE HARDWARE					
Bolt Size	GR.2 Dry	GR.5 Dry	GR.8 Dry	Metric Size	GR.8.8 Dry
1/4"	66*	9	12	M8	17
5/16"	11	17	25	M10	35
3/8"	20	30	45	M12	60
7/16"	32	50	70	M14	95
1/2"	50	75	110	M16	155
9/16"	70	110	150		
5/8"	100	150	220		
3/4"	175	260	380		
7/8"	170	430	600		
1"	250	640	900		

These torque values are to be used for all hardware. Unless otherwise specified, all torque values must meet this specification.
All torque values are in Ft.-Lbs unless otherwise stated
*In-Lbs

REMEMBER After 5 to 10 hours of snowplow usage, re-torque all hardware!

PARTS LIST



Note: It is recommended that LOCTITE®, or similar thread locking product, be used on ALL mounting hardware (i.e. Nuts, Cap Screws, Bolts, etc.).

ITEM	PART NO.	DESCRIPTION	QTY.
1		DS Bracket, Kioti 2200	1
2		PS Bracket, Kioti 2200	1
3		Bottom Bracket, Kioti 2200	1
4		Rear Bracket, DS, Kioti 2200	1
5		Rear Bracket, PS, Kioti 2200	1
6		HHCS, M12-1.25 x 40 mm	4
7		LW, M12	4
8		HHCS, M8-1.25 x 30 mm	3
9		LW, 5/16"	3
10		PW, 5/16"	9
11		HHCS, 5/16"-18 x 1	6
12		LN, 5/16"-18	6
13		HHCS, 3/8"-16 x 4.5"	2
14		PW, 3/8"	2
15		LN, 3/8"-16	18
16		HHCS, 3/8"-16 x 1.25	16
17		UTV Mount	1
18	96115555	Kit, HDWE (Not Shown) (Includes Items 6-16)	1

SNO-WAY® INTERNATIONAL, INC.



Hartford, WI 53027 USA
 Website: www.snoway.com
 ©2014 Sno-Way® International