

# **SNO-WAY**®

**SNOW & ICE CONTROL EQUIPMENT**

## **SERVICE PARTS MANUAL**

### **UTV SERIES SNOW PLOWS**

FOR GRAVITY HYDRAULICS  
WITH SERIAL NUMBERS AFTER UTVG100000

Sno-Way®, Down Pressure® and EIS® are registered trademarks of Sno-Way International, Inc.  
ProControl™, MegaBlade™, V-Wing™, E-Z Switch™, Revolution™, MaxAdjust™, SpeedLock™, and QuickJack™  
are trademarks of Sno-Way International, Inc.

©2015 Sno-Way® International

97101870D

# TABLE OF CONTENTS

	Page
PARTS LIST INTRODUCTION.....	2
BLADE - FRONT.....	3
BLADE - REAR.....	5
POWER PACK FRAME.....	7
HYDRAULIC SYSTEM - GRAVITY DOWN.....	9
HYDRAULIC POWER UNIT - GRAVITY DOWN.....	11
POWER PACK WIRING .....	13
NUMERICAL INDEX .....	14

**NOTE: For CONTROLLER SYSTEM WIRING - See Manual 97101915 - Snow Plow and Spreader Controls for parts breakdown and details.**

# PARTS LIST INTRODUCTION

Our dealership network stands by to provide you with any assistance you may require, including genuine Sno-Way service parts. All parts should be obtained from or ordered through your dealer. Give complete information about the part as well as the Model Number and Serial Number of your machine.

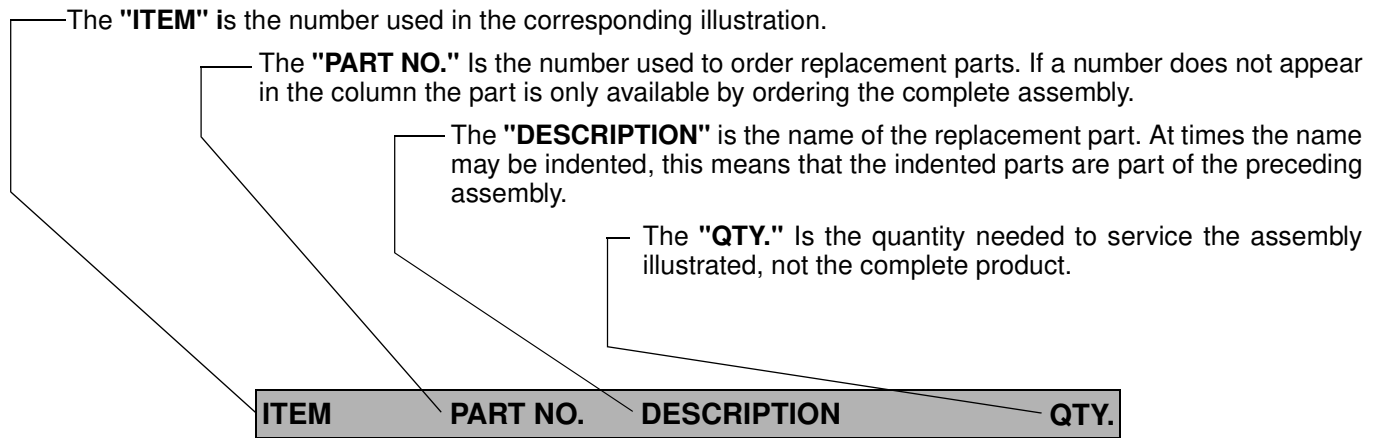
Record the Serial Number in the space provided in your Owner's Manual for quick reference. The Serial Number for the unit is on a plate located on the A-frame.

"Right" and "Left" are determined from a position sitting on the Operators Seat of the vehicle.

We reserve the right to make changes or improvements in the design or construction of any part without incurring the obligation to install such changes in any unit previously delivered.

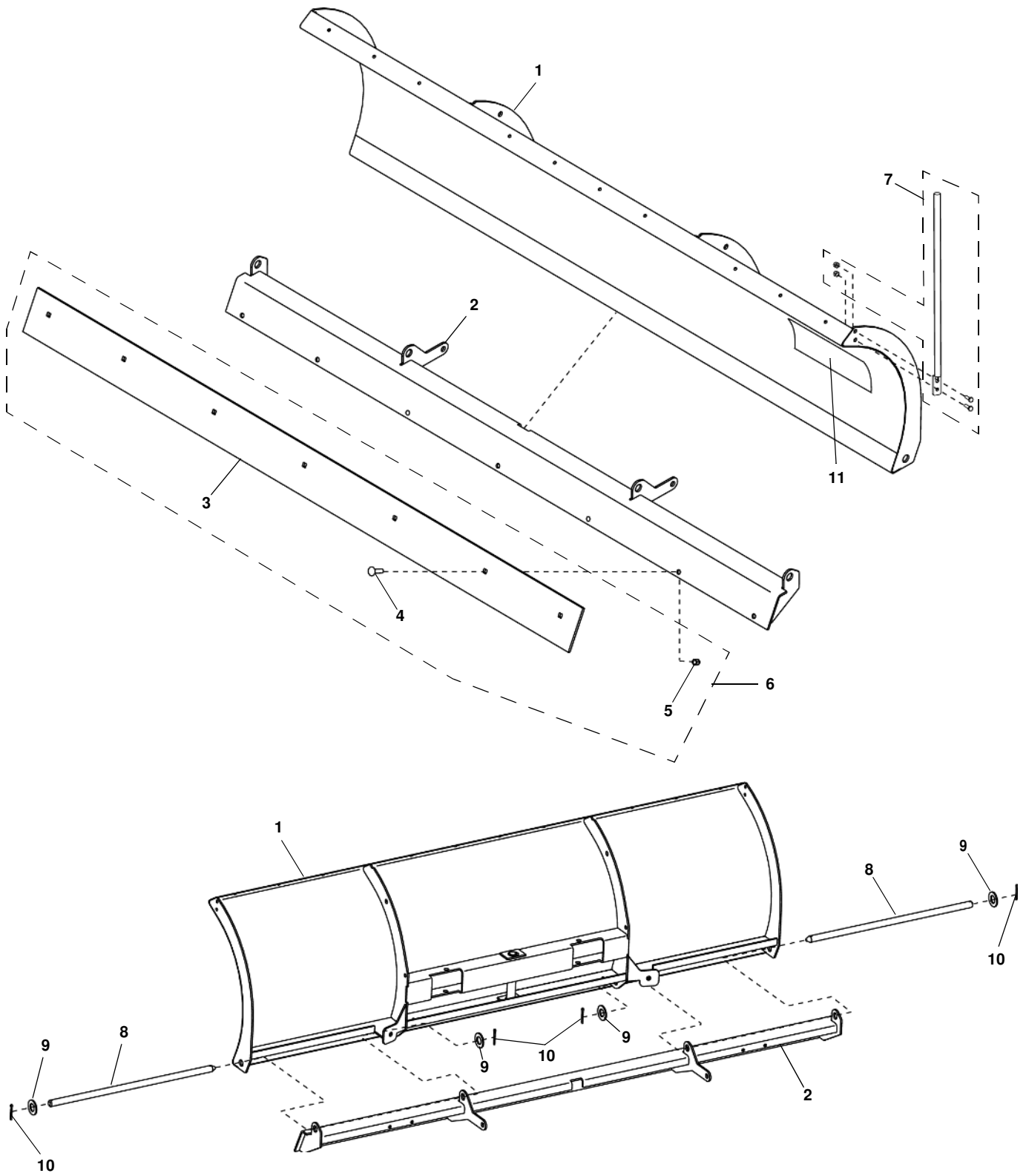
## USING THIS PARTS LIST

Below is parts listing with four columns. The first column is the "ITEM", the second is the "PART NUMBER", The third is the "DESCRIPTION" and the fourth is the "QUANTITY".



ITEM	PART NO.	DESCRIPTION	QTY.
1	96100083	O-ring	1
2	96001529	Elbow	3
3	98100036	Capscrew, Hex.,3/8"-16NC x 7/8"	9

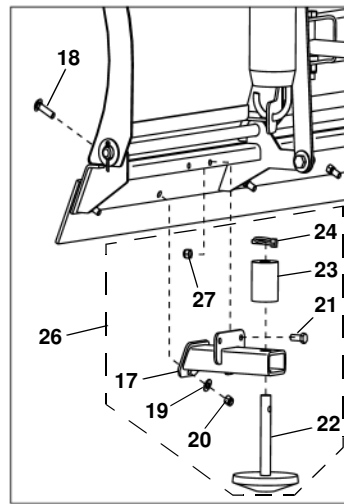
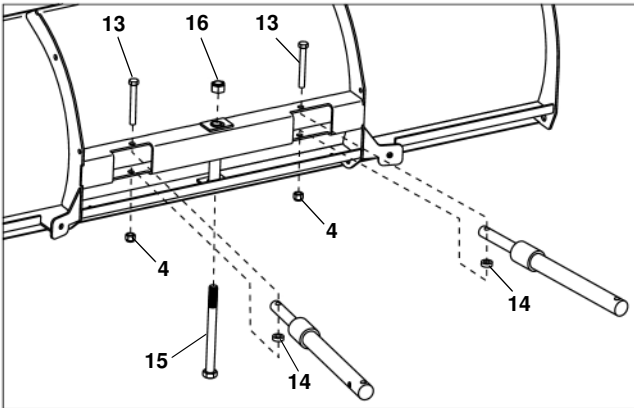
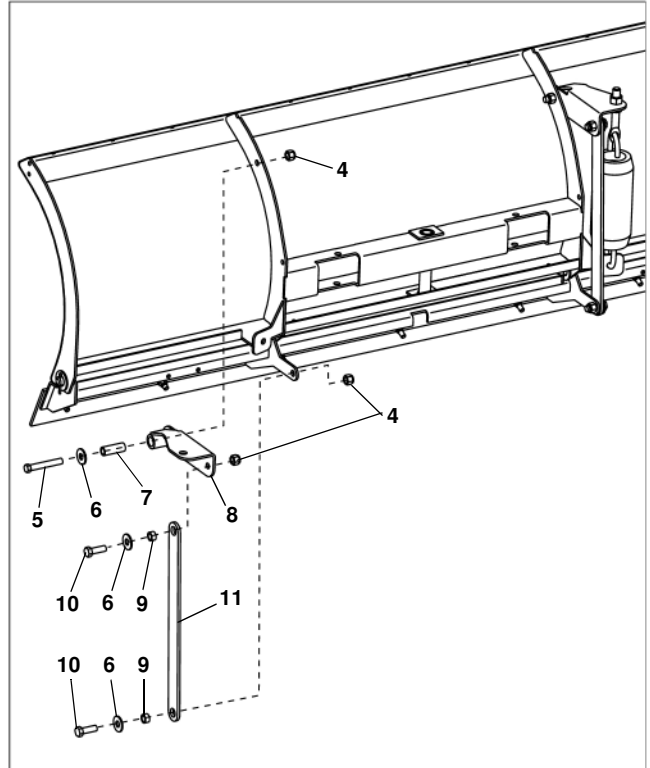
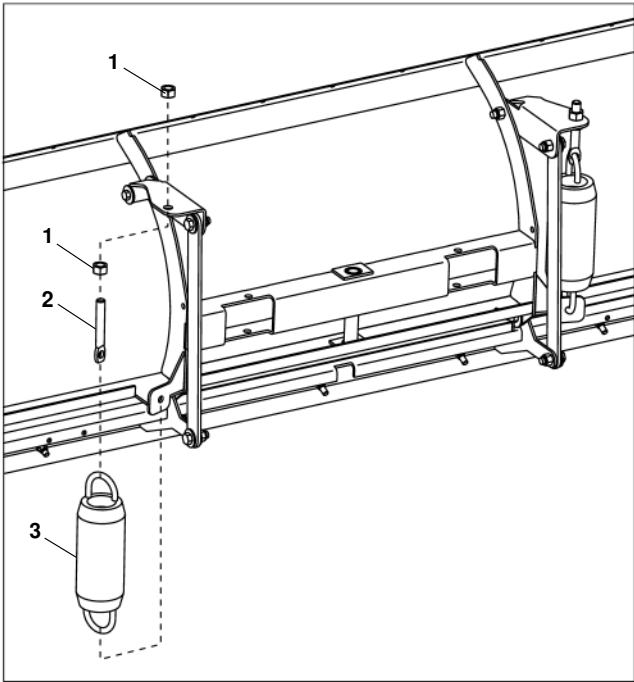
# BLADE - FRONT



# BLADE - FRONT

ITEM	PART NO.	DESCRIPTION	QTY
1		Blade Frame, Upper, 72", UTV .....	1
2	96114530	Blade Frame, Lower, 72", UTV .....	1
3		Wearstrip, Steel, 72" .....	1
4	98009061	Carriage Bolt, 3/8"-16 X 1-1/2" .....	7
5	98009009	Lock Nut, 3/8"-16 .....	7
6	96107796	Kit, Wearstrip, Steel, 72" Includes Items 3, 4, 5 .....	1
7	96112352	Kit, Guide, Blade (Optional) Includes 2 Guides And Mounting Hardware .....	1
8	96114709	Pin, Trip .....	2
9	98009030	Flat Washer, 3/4" .....	4
10	98009085	Cotter Pin, 5/32" x 1-1/2" .....	4
11	97101835	Decal, Snoway .....	1

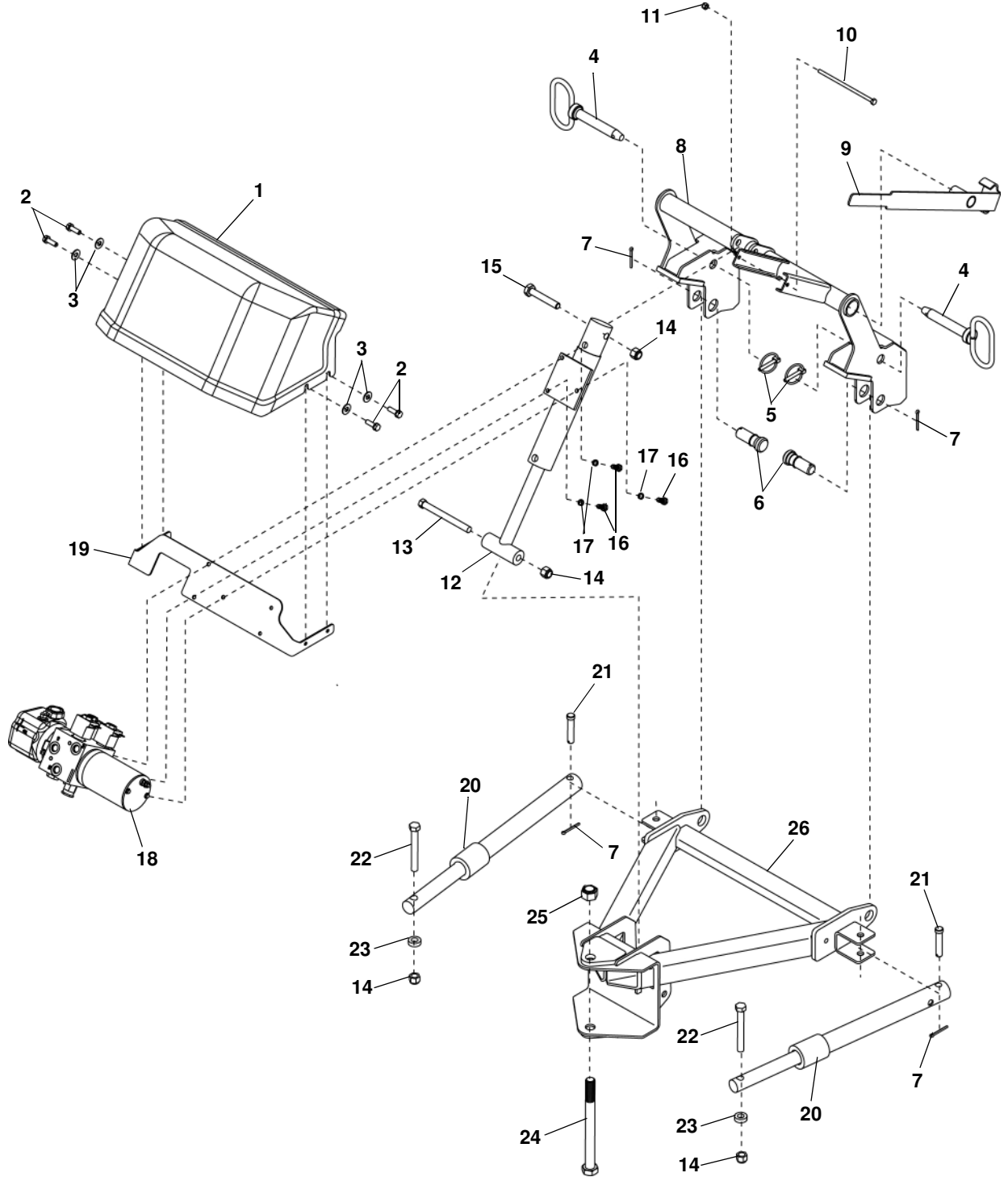
# BLADE - REAR



# BLADE - REAR

ITEM	PART NO.	DESCRIPTION	QTY
1	98009078	Nut, Hex, 5/8"-11 .....	4
2	96102781	Bolt, Spade, 5/8"-11 X 4.97" .....	2
3	96106889	Spring, Trip, 22 .....	2
4	98009013	Lock Nut, 1/2"-13.....	8
5	98009036	Cap Screw, Hex, 1/2"-13 X 3-1/2" .....	2
6	98100176	Flat Washer, 1/2", Hardened .....	6
7		Spacer, Spring Mount (Order Item #12 - Part Number 96115384) .....	2
8	96114536	Spring Mount, Drivers Side .....	1
	96114537	Spring Mount, Passenger Side.....	1
9		Spacer, Bellcrank (Order Item #12 - Part Number 96115384) .....	4
10	98009010	Cap Screw, Hex, 1/2"-13 X 1-1/2" .....	4
11	96114532	Plate, Spring Mount.....	2
12	96115384	Kit, Spacer Service, UTV (Includes Item 4 (6), Item 5 (2), Item 6 (6), Item 7 (2), Item 9 (4) & Item 10 (4)) .....	1
13	98009195	Cap Screw, Hex, 1/2"-13 X 4" .....	2
14	96107710	Spacer, Swing Cylinder .....	2
15	98100537	Cap Screw, Hex, 3/4"-10 X 8-1/2" .....	1
16	98100323	Lock Nut, 3/4"-10.....	1
17	96114880	Bracket, Shoe, UTV (Optional) .....	2
18	98009061	Carriage Bolt, 3/8"-16 X 1-1/2" .....	2
19	98009032	Flat Washer, 3/8" (Optional) .....	2
20	98009009	Lock Nut, 3/8"-16 (Optional) .....	2
21	98009149	Cap Screw, Hex, 5/16"-18 X 1 (Optional) .....	4
22		Shoe, Cast, 3/4" Shaft (Optional) .....	1
23	98009127	Flat Washer, 7/8" (Optional) .....	25
24	98100538	Pin, Lynch, 5/16" X 1-5/8" (Optional).....	1
25	96001191	Assembly, Shoe (Includes Items 22, 23 & 24).....	2
26	99101136	Kit, Shoe And Bracket, UTV (Includes Items 17, 19, 20, 21, 25 & 27) .....	1
27	98009150	Lock Nut, 5/16"-18 (Optional) .....	4

# POWER PACK FRAME

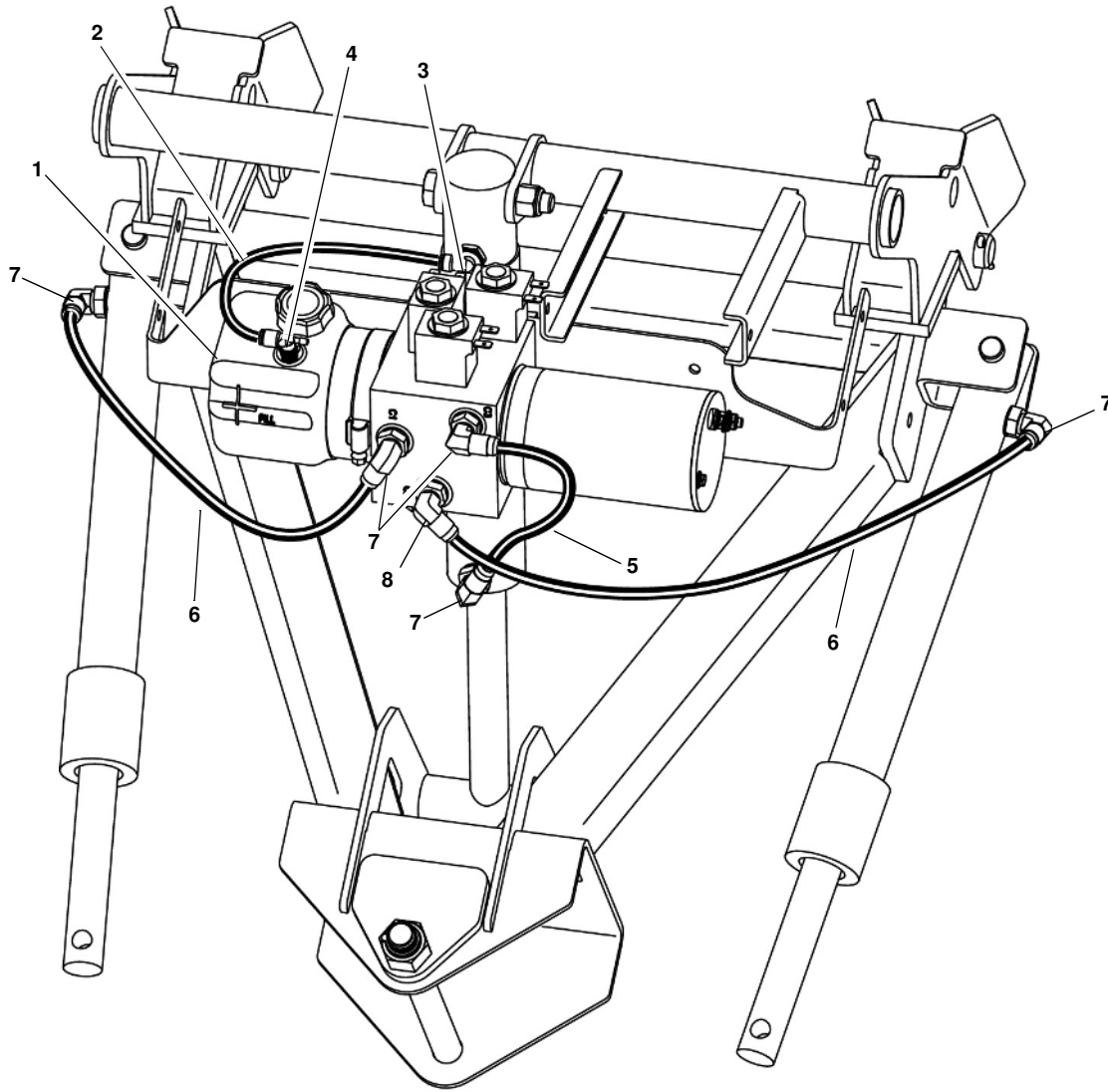




# POWER PACK FRAME

ITEM	PART NO.	DESCRIPTION	QTY
1	96115382	Pump Cover, UTV .....	1
2	98019176	Screw, Flange Head, Self Tapping, 5/16" .....	4
3	98019230	Flat Washer, 5/16" .....	4
4	96105046	Pin, Hitch .....	2
5	98009169	Pin, Lynch, 1/4" X 1.75" .....	2
6	96109928	Pin, Hitch, Lower, 22 .....	2
7	98009085	Cotter Pin, 5/32" X 1-1/2" .....	4
8	96114595	Lift Bar, UTV .....	1
9	96114915	Handle, UTV .....	1
10	98100266	Cap Screw, Hex, 1/4"-20 X 6" .....	1
11	98100255	Lock Nut, 1/4"-20 .....	3
12	96114777	Cylinder, Lift, UTV .....	1
13	98009043	Cap Screw, Hex, 1/2"-13 X 5" .....	1
14	98009013	Lock Nut, 1/2"-13 .....	4
15	98009017	Cap Screw, Hex, 1/2"-13 X 3" .....	1
16	98100263	Cap Screw, Hex, 5/16"-18 X 3/4" .....	3
17	98009025	Lockwasher, 5/16" .....	3
18		Power Unit, UTV, Gravity (See pages 11-12 for Parts Breakdown) .....	1
19	96114893	Bracket, Pump Cover .....	1
20	96114778	Cylinder, Swing, UTV .....	2
21	98100322	Clevis Pin, 1/2" X 2-3/8" .....	2
22	98009195	Cap Screw, Hex, 1/2"-13 X 4" .....	2
23	96107710	Spacer, Swing Cylinder .....	2
24	98100537	Cap Screw, Hex, 3/4"-10 X 8-1/2" .....	1
25	98100323	Lock Nut, 3/4"-10 .....	1
26	96115381	A-Frame, UTV .....	1

# HYDRAULIC SYSTEM GRAVITY DOWN



# HYDRAULIC SYSTEM GRAVITY DOWN

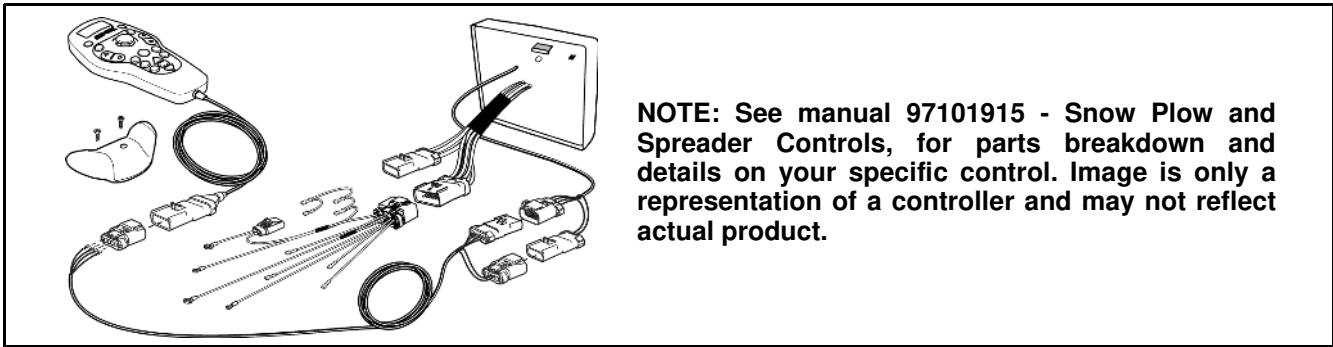
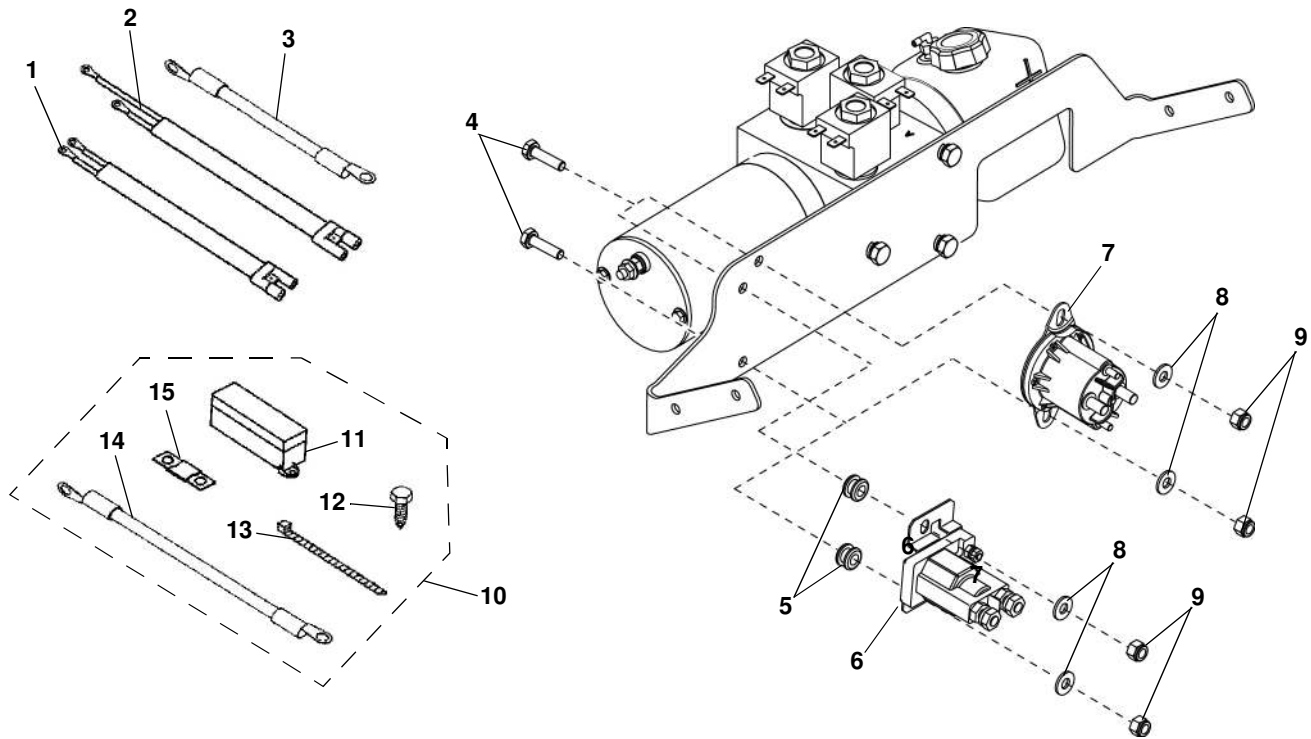
ITEM	PART NO.	DESCRIPTION	QTY
1		Power Unit, UTV, Gravity (See Pages 11-12 for Parts Breakdown) .....	1
2	96114896	Tube, ID 0.180 X OD 1/4", Tank To Lift Cyl - Base End .....	1
3	96114894	Fitting, Elbow, 90° .....	1
4	96114895	Fitting, Elbow, 90° .....	1
5	96114900	Hose, Hydraulic, 20.0", C3 To Lift Cyl - Rod End.....	1
6	96114899	Hose, Hydraulic, 23.0", C1 & C2 To Swing Cylinders .....	2
7	96100001	Fitting, Elbow, 90° .....	5
8	96113764	Fitting, Elbow, 90°, with Orifice .....	1



# HYDRAULIC POWER UNIT GRAVITY DOWN SYSTEM

ITEM	PART NO.	DESCRIPTION	QTY
1	96115391	Kit, Valve, 4-Way, 10VDC .....	1
2	96105275	Nut, Coil Retaining .....	3
3	96111171	Coil, 10V DC .....	3
4	96115390	Cartridge, 4-Way .....	1
5	96112583	Kit, Valve, 2-Way 10VDC.....	1
6	96108325	Cartridge, 2 WAY.....	1
7	96112584	Kit, Valve, 3-Way, 10VDC .....	1
8	96108324	Cartridge, 3-Way .....	1
9	96105254	Motor, 12V DC.....	1
10	96115387	Shaft, Intermediate, Pump, UTV .....	1
11	96105317	Seal, Shaft.....	1
12		Valve Block / Base, UTV.....	1
13	96115397	Kit, Valve, Check, With Orifice.....	1
14	96115398	Valve, Check, Cartridge.....	1
15	96105731	Valve, Relief, Crossover (1750 psi) .....	1
16	96105313	Kit, System Relief Valve .....	1
17	96115386	Pin, Dowel .....	2
18	96115396	Bearing, Pump Shaft, UTV.....	2
19	96115395	Kit, O-Ring, Pump .....	1
20	96115394	O-Ring, Tank .....	1
21	96115385	Pump Assembly .....	1
22		Screw, Socket Head Cap .....	4
23	96115388	Tube, Suction.....	1
24	96105245	Filter .....	1
25	96115392	Clamp.....	1
26	96115393	Reservoir.....	1
27	96105244	Filler Cap.....	1

# POWER PACK WIRING



ITEM	PART NO.	DESCRIPTION	QTY
1	96114892	Harness, Battery Power .....	1
2	96114889	Harness, Plow Power .....	1
3	96114898	Harness, Solenoid .....	1
4	98009027	Capscrew, Hex, 1/4"-20 x 1" .....	2
5	96105282	Grommet, 3/8" ID (Used with item 6 only) .....	2
6	96002086	Switch, Solenoid (Early model) .....	1
7	96115722	Switch, Solenoid (Late model) .....	1
8	98100254	Washer, Flat, 1/4" .....	2
9	98100255	Nut, Hex Head Nylock, 1/4"-20 .....	2
10	96115709	Bag, Power Hraness Parts .....	1
11	96115667	Fuse Holder .....	1
12	98100037	Screw, Self-Tapping, #10-16 x 1" .....	2
13	96001227	Strap. Tie, Plastic .....	2
14	96115706	Cable, Power .....	1
15	96115666	Fuse, 100 Amp .....	1
16	96115710	Kit, Power Cable Extension (Not shown) .....	1

# NUMERICAL INDEX

PART NO.	PAGE	ITEM	PART NO.	PAGE	ITEM	PART NO.	PAGE	ITEM
96001191	6	25	96114915	8	9	98009169	8	5
96001227	13	13	96115381	8	26	98009195	6	13
96002086	13	6	96115382	8	1		8	22
96100001	10	7	96115384	6	12	98019176	8	2
96102781	6	2	96115385	12	21	98019230	8	3
96105046	8	4	96115386	12	17	98100037	13	12
96105244	12	27	96115387	12	10	98100176	6	6
96105245	12	24	96115388	12	23	98100254	13	8
96105254	12	9	96115390	12	4	98100255	8	11
96105275	12	2	96115391	12	1		13	9
96105282	13	5	96115392	12	25	98100263	8	16
96105313	12	16	96115393	12	26	98100266	8	10
96105317	12	11	96115394	12	20	98100322	8	21
96105731	12	15	96115395	12	19	98100323	6	16
96106889	6	3	96115396	12	18		8	25
96107710	6	14	96115397	12	13	98100537	6	15
	8	23	96115398	12	14		8	24
96107796	4	6	96115666	13	15	98100538	6	24
96108324	12	8	96115667	13	11	99101136	6	26
96108325	12	6	96115706	13	14			
96109928	8	6	96115709	13	10			
96111171	12	3	96115710	13	16			
96112352	4	7	96115722	13	7			
96112583	12	5	97101835	4	11			
96112584	12	7	98009009	4	5			
96113764	10	8		6	20			
96114530	4	2	98009010	6	10			
96114532	6	11	98009013	6	4			
96114536	6	8		8	14			
96114537	6	8	98009017	8	15			
96114595	8	8	98009025	8	17			
96114709	4	8	98009027	13	4			
96114777	8	12	98009030	4	9			
96114778	8	20	98009032	6	19			
96114880	6	17	98009036	6	5			
96114889	13	2	98009043	8	13			
96114892	13	1	98009061	4	4			
96114893	8	19		6	18			
96114894	10	3	98009078	6	1			
96114895	10	4	98009085	4	10			
96114896	10	2		8	7			
96114898	13	3	98009127	6	23			
96114899	10	6	98009149	6	21			
96114900	10	5	98009150	6	27			

---

**SNO-WAY® INTERNATIONAL, INC.**

**SNO-WAY**  
**SNOW & ICE CONTROL EQUIPMENT**

Hartford, WI 53027 USA  
Website: [www.snoway.com](http://www.snoway.com)  
©2015 Sno-Way® International