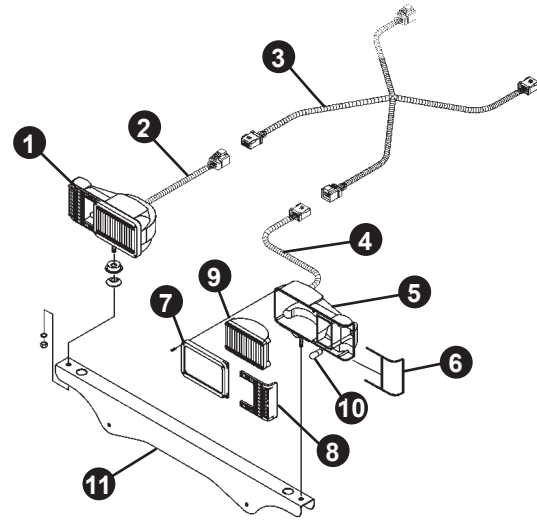


PLOW LIGHTING

REF. NO.	DESCRIPTION	PART NO.
1	Light Assy, PS, EIS	96107984
2	Harness, Plow Light	
3	Harness, Main Light	96107984
4	Harness, Plow Light	
5	Light Assy, DS, EIS	96107983
6	Gasket, Turn Signal	
7	Light Assy, Front Frame	
8	Lense, Turn Signal	
9	Lamp, Sealed Beam	96100514
10	Lamp, Park and Turn	96003060
11	Assy, Light Bar	96108030



POWER PACK UNITS

REF. NO.	DESCRIPTION	PART NO.
GRAVITY		
1	Kit, Valve, 3-Way, 10VDC (Black)	96112584
2	Kit, Valve, 3-Way, 10VDC (Blue)	96102583
3	Fitting, Oriface, 0.0468	96105422
	Kit, Oriface (To Adjust Drop Rate)	96108627
4	Spring, Retaining	96105251
5	Screen, Inline	96105250
6	Kit, Check Valve (Includes 2 valves, Piston Assembly & 2 Springs)	96112948
7	Valve, Relief, Cross Over	96105243

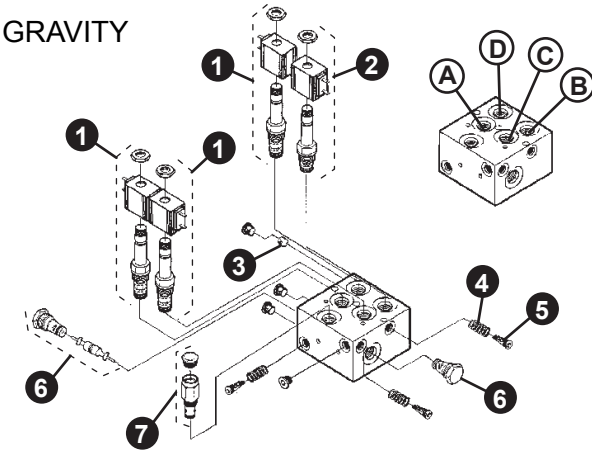
DOWN PRESSURE SN 22D201092 & Before

1	Kit, Valve, 3-Way, 10VDC (Black)	96112584
2	Kit, Valve, 3-Way, 10VDC (Blue)	96102583
3	Valve, Check	96105238
4	Valve, Relief, DP (460-500 psi)	96105253
5	Fitting, Oriface, 0.0468	96105422
	Kit, Oriface (To Adjust Drop Rate)	96108627
6	Switch, Pressure (325 psi)	96101976
7	Kit, Check Valve (Includes 2 valves, Piston Assembly & 2 Springs)	96112948
8	Screen, Inline	96105250
9	Spring, Retaining	96105251
10	Valve, Relief, Cross Over	96105243

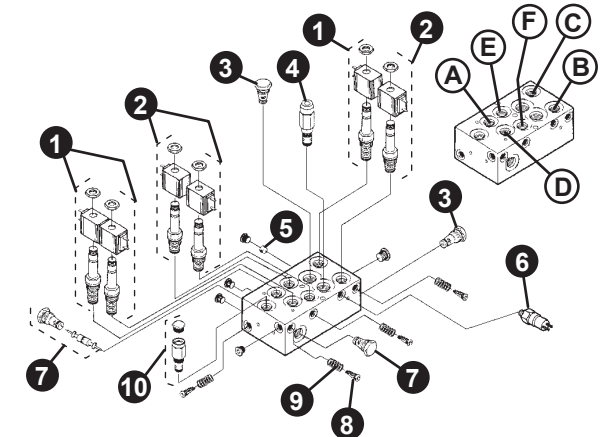
DOWN PRESSURE SN 22D201093 & After

1	Poppet, Check (Float Circuit)	96114438
2	Kit, Poppet Check and Spring	96114413
3	Valve, Relief Cartridge (2000psi)	96105243
4	Kit, Check Valve (Includes 2 valves, Piston Assembly & 2 Springs)	96112948
5	Plug, Oriface, 0.0468	96105422
	Kit, Oriface (To Adjust Drop Rate)	96108627
6	Kit, Valve, 3-Way, 10VDC (Black)	96112584
7	Kit, Valve, 3-Way, 10VDC (Blue)	96102583
8	Spring, Retaining	96105251
9	Screen, Inline	96105250
10	Switch, Pressure (325 psi)	96101976
11	Valve, Relief, DP (460-500 psi)	96114446

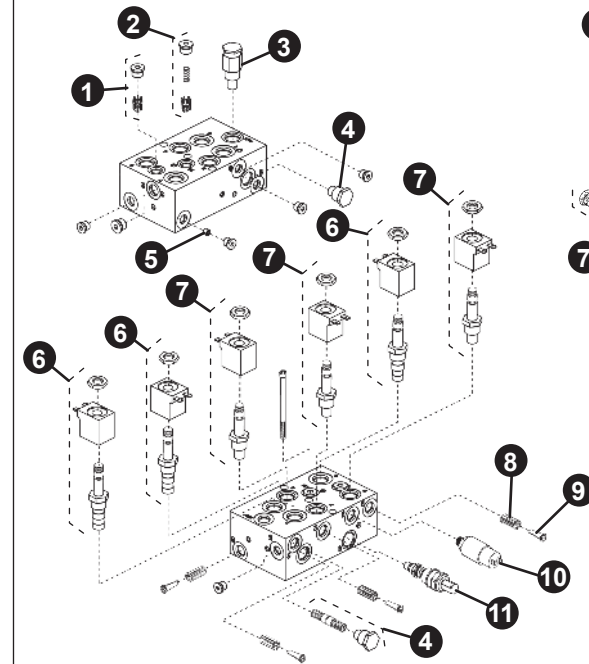
GRAVITY



DOWN PRESSURE SN 22D201092 & Before

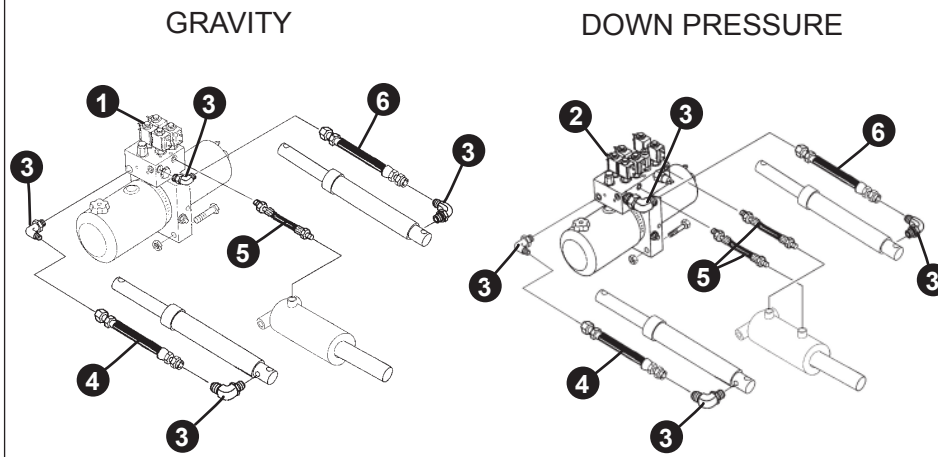


DOWN PRESSURE SN 22D201093 & After



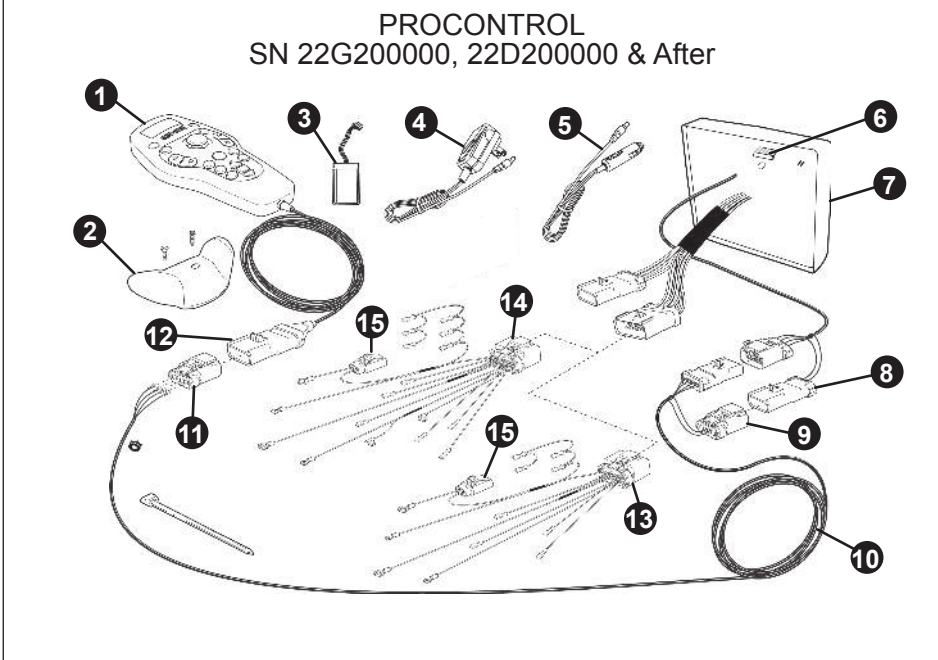
HYDRAULICS

REF. NO.	DESCRIPTION	PART NO.
1	Power Unit, Gravity	
2	Power Unit, Down Pressure	
3	Fitting, Elbow, 90°	96100001
4	Hose, Hyd. 27-1/2", PS	
	*S/N 22G00075 & Before	96106070
	S/N 22G00076 & After	96113791
	*S/N 22D2201091 & Before	96106071
	S/N 22D2201092 & After	96103791
5	Hose, Hyd. 18-3/4"	96106069
6	Hose, Hyd. 32", DS	96106071
	*Includes One #3	



ELECTRICAL

REF. NO.	DESCRIPTION	PART NO.
1	Transmitter, Wired	96112246
	Transmitter, Wireless	96112244
2	Clip, Dash Mount	96112259
3	Battery, Wireless	96112258
4	Charger, ProControl, 120VAC	96113316
5	Charger, ProControl, 12VDC	96112376
6	Cap, Silicone	96112985
7	Module, Receiver, Wired	96112998
	Module, Receiver, Wireless	96112260
8	Cap, Storage, Male	96112872
9	Cap, Storage, Female	96112871
10	Harness, Vehicle	96112913
11	Connector, Female 4-Way	96112300
12	Connector, Male, 4-Way	96112301
13	Harness, Down Pressure	96112193
14	Harness, Gravity Down	96112955
15	Fuse, 10A (In Holder)	96112496



HYDRAULIC PUMP ASSEMBLY

REF. NO.	DESCRIPTION	PART NO.	
		GRAVITY	DP
1	Plug, Breather	96105244	96105244
2	Reservoir, Plastic	96105241	96105241
3	Clamp	96105231	96105231
4	Pump Assembly	96105735	96105735
5	O-Ring, 3/8" x 3-7/8" x 1/8"	96105315	96105315
6	O-Ring, 1/2" x 5/8" x 1/16"	96105316	96105316
7	Base Assembly	Not Available Separately	
8	O-Ring, 5/8" x 3/4" x 1/16"	96105314	96105314
9	Seal, Shaft	96105317	96105317
10	Motor, 12VDC	96106802	96106802
11	Kit, Relief Valve	96105313	96105313
12	Tube Assembly, Return	See Plow Parts Manuals	
13	Filter, Return	See Plow Parts Manuals	
14	Filter, Suction	96105245	96105245
15	Tube, Suction	96105246	96105246

