



- 1. THINK SAFETY, ALWAYS WEAR SAFETY GLASSES WHEN PERFORMING THE OPERATIONS PRESCRIBED IN THESE INSTRUCTIONS**
- 2. READ ALL INSTRUCTIONS CAREFULLY BEFORE ATTEMPTING INSTALLATION**



NOTE: You must use the REVOLUTION HD LIFT LINK P/N 96113957 and REVOLUTION HD BELLCRANK P/N 96114030 when installing this kit.

TIP: To make the installation easier, disassemble everything in the instructions before you start to reassemble.

1. Attach plow to the truck or block rear of A-frame so that the plow is no longer resting on the Jack Stand.
2. Remove and discard the cotter pin, flat washer and clevis pin that holds the lift link to the Lower Light Lift Bar (LLLb). Use care if the plow is not connected to the truck as the LLLb will be free to rotate after the clevis pin is removed.
3. Remove and discard the hardware securing the Bell Crank assembly to the A-Frame.
4. Remove and discard the hardware securing the Lift Cylinder to the Bell Crank assembly.
5. Remove and discard the hardware securing the Lift Link and Jack Stand assembly to the Bell Crank, except for the Stand Spacer (item #8), which will be used in step 6b.

NOTE: All original hardware is to be replaced when installing this kit. Washers in this kit are hardened and MUST be used. If standard washers would be used, severe spacer and Bell Crank wear will occur. Apply Nev-ersieze to all spacers when installing to extend their life and reduce wear.

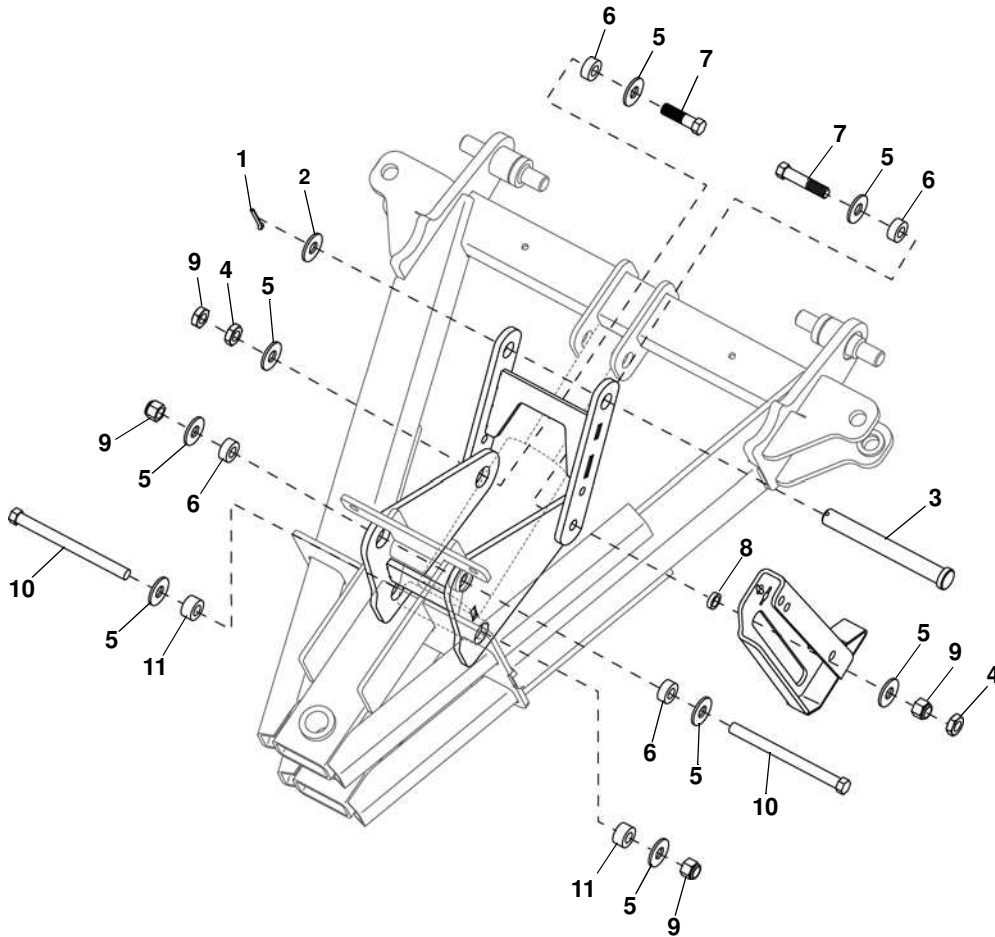
6. Place two new Spacers (item #6) in the holes of the Bell Crank that connect to the Lift Link. Position the Lift Link in the Bell Crank and secure as follows:
 - a. Install a 1/2" x 2-1/4" Cap Screw (Item #7) and 1/2" hardened Flat Washer (item #5) through the Spacer in the PS of the Bell Crank and Lift Link and secure using one 1/2" hardened Flat Washer (item #5), 1/2" Locknut (item #9) and 1/2" Jam Nut (item #4).

- b. Install a 1/2" x 2-1/4" Cap Screw (item #7) and 1/2" hardened Flat Washer (item #5) through the bushing in the DS of the Bell Crank and Lift Link. Install one Stand Spacer (item #8) on the Cap Screw.

NOTE: Item #8 can be re-used. However, in the case of the Stand Spacer being lost or broken, order 96102168 from your local dealer.

- c. Position the Jack Stand assembly on the Stand Spacer on the DS of the Bell Crank assembly and secure using one 1/2" hardened Flat Washer (item #5), 1/2" Locknut (item #9) and 1/2" Jam Nut (item #4).
7. Place two new Bell Crank spacers (item #11) in the holes of the Bell Crank that connect to the Lift Cylinder. Attach the Lift Cylinder. Insert a 1/2"-13 x 6-1/8" Cap Screw (item #10) through a 1/2" hardened Flat Washer (item #5), then through the Spacers and Bellcrank. Secure with a 1/2" hardened Flat Washer (item #5) and 1/2" Locknut (item #9).
 8. Place two new Spacers (item #6) in the holes of the Bell Crank that connect to the A-frame. Attach the Bell Crank to the A-Frame using a 1/2"-13 x 6-1/8" Cap Screw (item #10) through a 1/2" hardened Flat Washer (item #5), then through the Spacers and A-Frame. Secure with a 1/2" hardened Flat Washer (item #5) and 1/2" Locknut (item #9).
 9. Connect the Lift Link to the Lower Light Lift Bar (LLLb) using the 3/4" x 6-1/2" Clevis Pin (item #3), 3/4" Flat Washer (item #2) and 5/32" x 1-1/2" Cotter Pin (item #1).

SPACER SERVICE KIT (96114404) PARTS LIST



ITEM	PART NO.	DESCRIPTION	QTY
1		Cotter Pin, 5/32" X 1-1/2"	1
2		Flat Washer, 3/4"	1
3		Clevis Pin, 3/4" X 6.5"	1
4		Jam Nut, 1/2"-13	2
5		Flat Washer, 1/2"	8
6		Spacer	4
7		Cap Screw, 1/2"-13 X 2-1/4"	2
8	96102168	Spacer, Stand (Not included with kit)	1
9		Locknut, 1/2"-13, Nylon Insert	4
10		Cap Screw, 1/2"-13 X 6-1/8"	2
11		Spacer, Bell Crank	2

97101740B

SNO-WAY® INTERNATIONAL, INC.



Hartford, WI 53027 USA
Website: www.snoway.com
©2014 Sno-Way® International