

# SNO-WAY E-Z FIT SKIN INSERT INSTALLATION INSTRUCTIONS FOR MBC, MBR, 32C, 29HD, 29R, 26 & 26R SERIES PLOWS



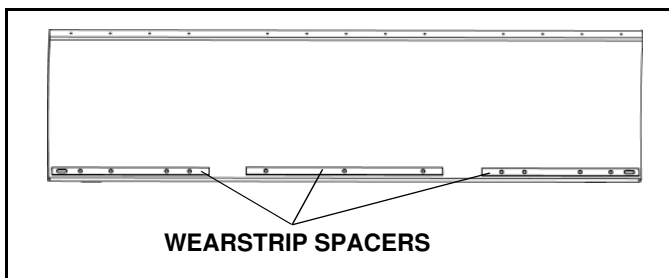
1. THINK SAFETY, ALWAYS WEAR SAFETY GLASSES WHEN PERFORMING THE OPERATIONS PRESCRIBED IN THESE INSTRUCTIONS
2. READ ALL INSTRUCTIONS CAREFULLY BEFORE ATTEMPTING INSTALLATION



1. Lower the plow to a smooth level surface. Disconnect the power and back the vehicle away from the plow.

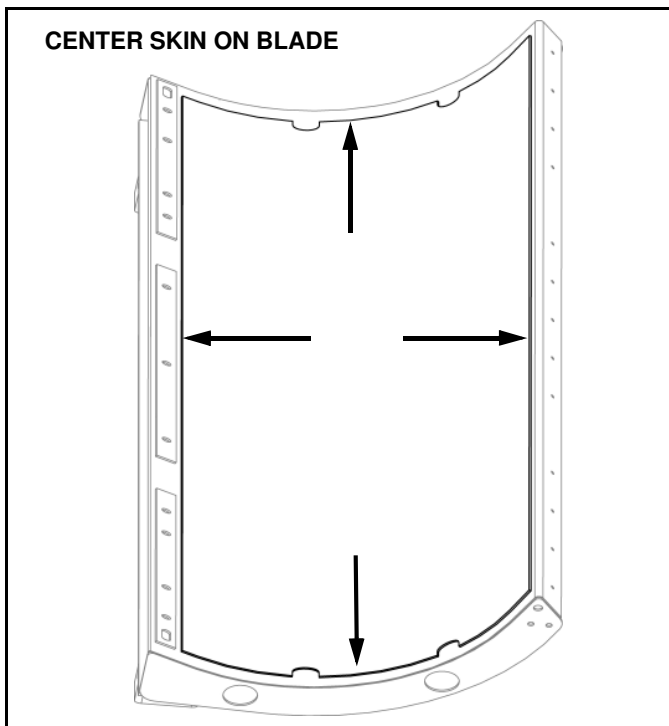
2. Remove the blade from the plow swing frame and position it horizontally skin side up. Remove the wearstrip hardware and wearstrip from the blade.

3. Position the center (#4) and outer (#3) wearstrip spacers on the blade and temporarily secure each with two wearstrip capscrews. (See Figure 1).



**Figure 1**

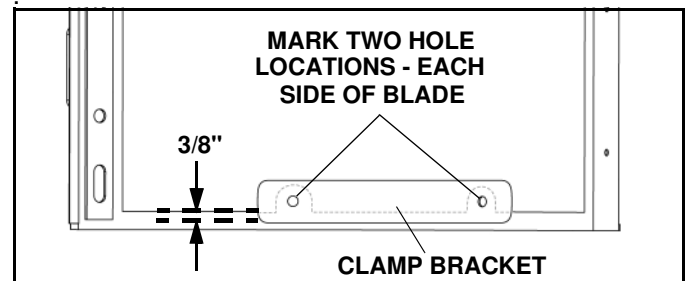
4. With an assistant, place the plastic skin (#1) on the blade. Push the skin tightly against the blade, center it side-to-side and between the wearstrip spacers and top of the blade, then clamp it in position. (See Figure 2).



**Figure 2**

5. Evenly space each clamp bracket (#6) 3/8" off the edges of the skin, center them vertically over the side slots in the skin and mark the four bracket holes in the blade. (See Figure 3).

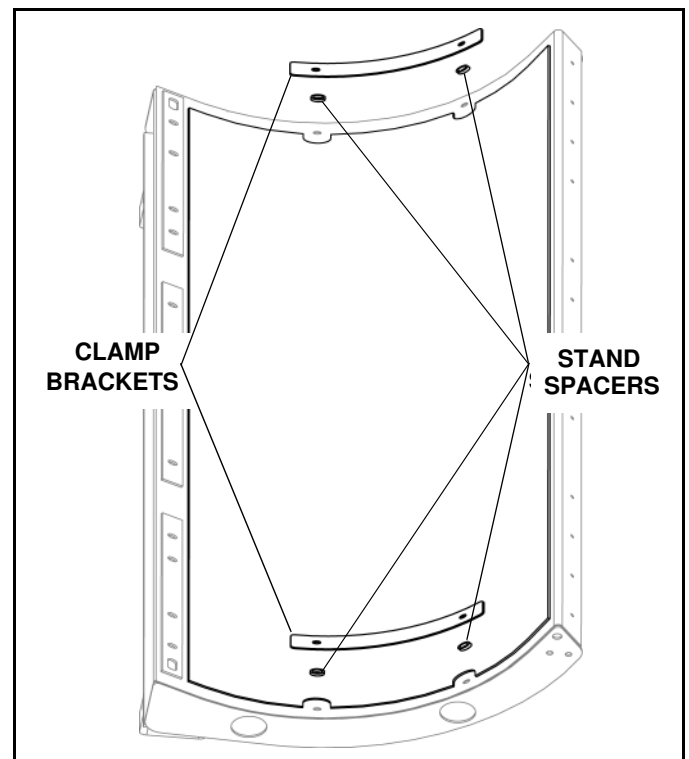
**IMPORTANT: Mark and drill holes exactly as shown, or pinching and buckling of the skin may occur.**



**Figure 3**

6. Remove the clamp brackets and skin from the blade. Drill four 13/32" holes through the marked locations.

7. Place the skin in position on the blade. Secure each side of the skin to the blade using two 3/8"-16 capscrews (#5), one clamp bracket (#6), two stand spacers (#7) and locknuts (#8). (See Figure 4).



**Figure 4**

8. Remove the wearstrip hardware temporarily installed earlier. Position the wearstrip over the three spacers (#3 & 4) and blade and secure with the original hardware. (See Figure 5).

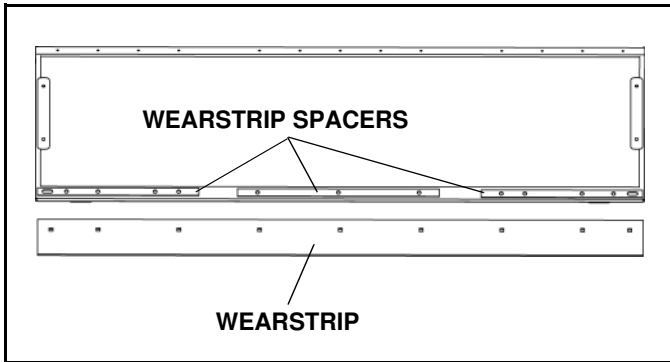


Figure 5

9. Position the top retainer brackets (#12, 13) along the top of the blade. Adjust each bracket to provide a minimum gap of 1/16" between the front edge of the bracket and the skin. (See Figure 6).

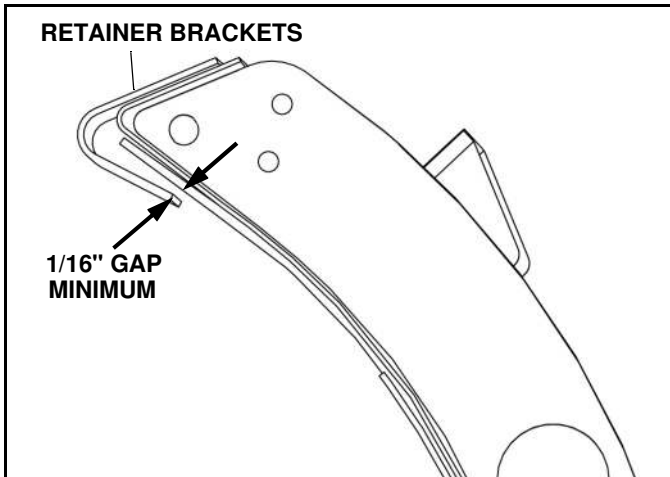


Figure 6

10. Secure each bracket in position using a 1/4"-20 capscREW (#9), two flat washers (#10) and locknut (#11) in each bracket hole. (See Figure 7).

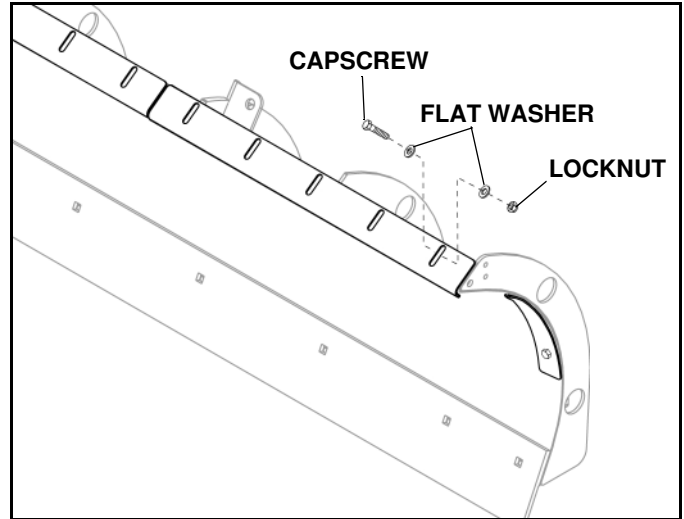
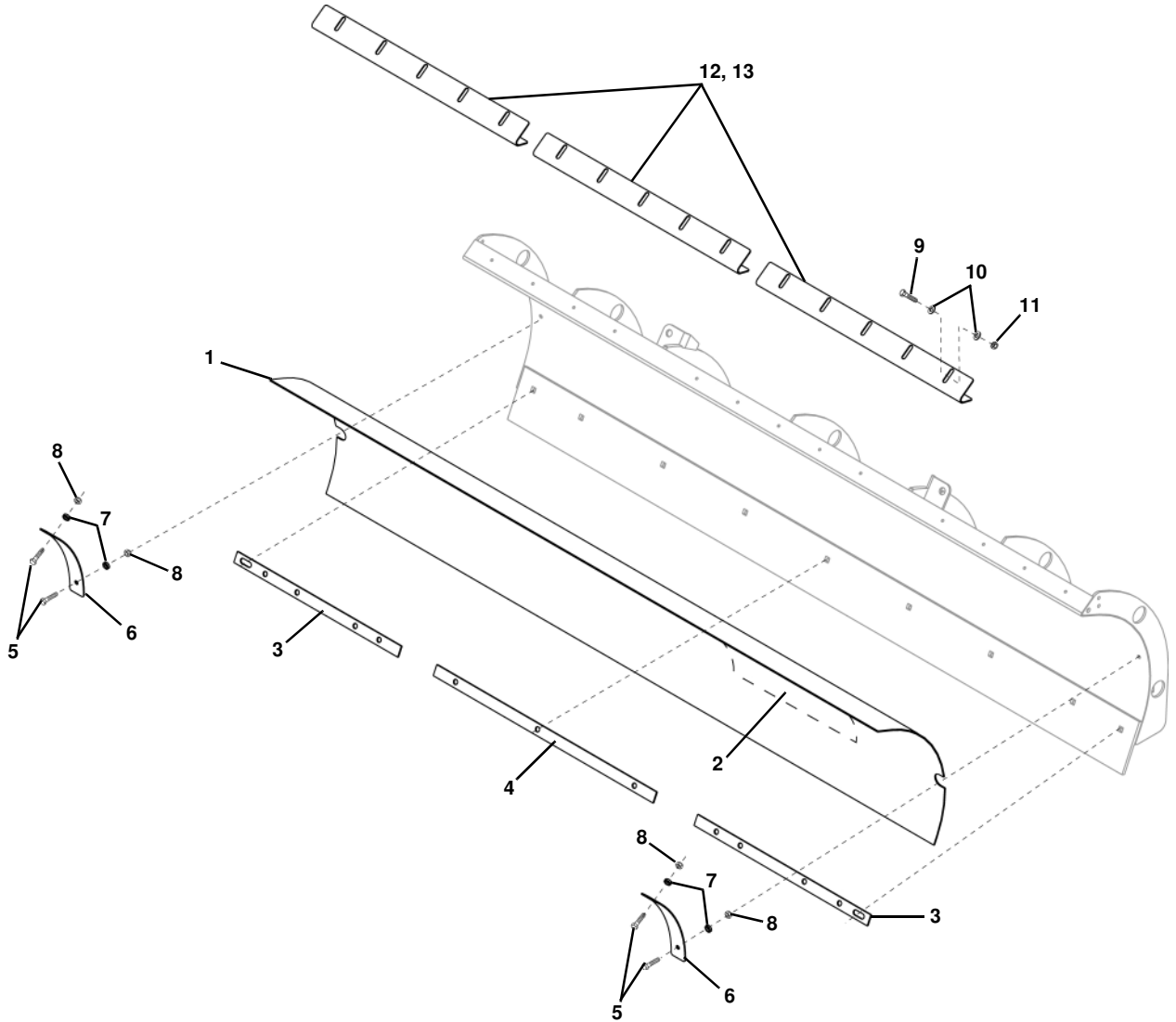


Figure 7

11. Install the blade on the plow swing frame using the original hardware.

# PARTS LIST



**NOTE:**

- 1) 26 Series Plow Shown Above.
- 2) The Quantity Of Items #4 & #9-13 Will Vary Depending On The Actual Kit Supplied.  
Refer To The Part Listings That Follow For Specific Quantity Information Per Model.

ITEM	PART NO.	DESCRIPTION	QTY
	<b>99101043</b>	<b>MBC SKIN PACKAGE</b>	
1		SKIN, PLASTIC, MBC .....	1
2		DECAL, SNO-WAY, PLASTIC .....	1
3		SPACER, END, 102" .....	2
4		SPACER, CENTER .....	2
5		CAPSCREW, 3/8"-16 X 1-1/4" GR 5 .....	4
6		BRACKET, CLAMP, 29 .....	2
7		SPACER, STAND .....	4
8		LOCKNUT, 3/8-16, NYLON INSERT .....	4
9		CAPSCREW, 1/4"-20 X 1.0 GR 5 .....	17
10		FLAT WASHER 1/4" X 1-1/2" .....	34
11		LOCKNUT, 1/4-20, NYLON INSERT .....	17
12		BRACKET, SKIN RETAINER.....	3
	<b>99101044</b>	<b>MBR &amp; REVOLUTION HD SKIN PACKAGE</b>	
1		SKIN, PLASTIC, MBR .....	1
2		DECAL, SNO-WAY, PLASTIC .....	1
3		SPACER, END, 102" .....	2
4		SPACER, CENTER .....	1
5		CAPSCREW, 3/8"-16 X 1-1/4" GR 5 .....	4
6		BRACKET, CLAMP, 29 .....	2
7		SPACER, STAND .....	4
8		LOCKNUT, 3/8-16, NYLON INSERT .....	4
9		CAPSCREW, 1/4"-20 X 1.0" GR 5 .....	14
10		FLAT WASHER 1/4" X 1-1/2" .....	28
11		LOCKNUT, 1/4"-20, NYLON INSERT.....	14
12		BRACKET, SKIN RETAINER.....	1
13		BRACKET, RETAINER 42", MBV .....	1
	<b>99101205</b>	<b>32C - 102" SKIN PACKAGE</b>	
1		SKIN, PLASTIC, 32C, 102" .....	1
2		DECAL, SNO-WAY, PLASTIC .....	1
3		SPACER, END, 102" .....	2
4		SPACER, CENTER .....	2
5		CAPSCREW, 3/8"-16 X 1-1/4" GR 5 .....	4
6		BRACKET, CLAMP, 32C .....	2
7		SPACER, STAND .....	4
8		LOCKNUT, 3/8-16, NYLON INSERT .....	4
9		CAPSCREW, 1/4"-20 X 1.0" GR 5 .....	17
10		FLAT WASHER 1/4" X 1-1/2" .....	34
11		LOCKNUT, 1/4"-20, NYLON INSERT.....	17
12		BRACKET, SKIN RETAINER.....	2
13		BRACKET, RETAINER 42", MBV .....	1
	<b>99101206</b>	<b>32C - 108" SKIN PACKAGE</b>	
1		SKIN, PLASTIC, 32C, 108" .....	1
2		DECAL, SNO-WAY, PLASTIC .....	1
3		SPACER, END, 96" .....	2
4		SPACER, CENTER, 32C.....	2
5		CAPSCREW, 3/8"-16 X 1-1/4" GR 5 .....	4
6		BRACKET, CLAMP, 32C .....	2
7		SPACER, STAND .....	4
8		LOCKNUT, 3/8-16, NYLON INSERT .....	4
9		CAPSCREW, 1/4"-20 X 1.0" GR 5 .....	17
10		FLAT WASHER 1/4" X 1-1/2" .....	34
11		LOCKNUT, 1/4"-20, NYLON INSERT.....	17
12		BRACKET, SKIN RETAINER.....	2
13		BRACKET, RETAINER 42", MBV .....	1

ITEM	PART NO.	DESCRIPTION	QTY
	<b><u>99101207</u></b>	<b><u>32C - 120" SKIN PACKAGE</u></b>	
1		SKIN, PLASTIC, 32C, 120".....	1
2		DECAL, SNO-WAY, PLASTIC.....	1
3		SPACER, END, 96".....	2
4		SPACER, CENTER.....	1
		SPACER, CENTER, 32C.....	1
5		CAPSCREW, 3/8"-16 X 1-1/4" GR 5.....	4
6		BRACKET, CLAMP, 32.....	2
7		SPACER, STAND.....	4
8		LOCKNUT, 3/8-16, NYLON INSERT.....	4
9		CAPSCREW, 1/4"-20 X 1.0" GR 5.....	20
10		FLAT WASHER 1/4" X 1-1/2".....	40
11		LOCKNUT, 1/4"-20, NYLON INSERT.....	20
12		BRACKET, SKIN RETAINER.....	4
	<b><u>99101046</u></b>	<b><u>29HD - 90" SKIN PACKAGE</u></b>	
1		SKIN, PLASTIC, 29, 90".....	1
2		DECAL, SNO-WAY, PLASTIC.....	1
3		SPACER, END.....	2
4		SPACER, CENTER.....	1
5		CAPSCREW, 3/8"-16 X 1-1/4" GR 5.....	4
6		BRACKET, CLAMP, 29.....	2
7		SPACER, STAND.....	4
8		LOCKNUT, 3/8"-16, NYLON INSERT.....	4
9		CAPSCREW, 1/4"-20 X 1.0 GR 5.....	17
10		FLAT WASHER 1/4" X 1-1/2".....	34
11		LOCKNUT, 1/4"-20, NYLON INSERT.....	17
12		BRACKET, SKIN RETAINER.....	3
	<b><u>99101047</u></b>	<b><u>29HD - 96" SKIN PACKAGE</u></b>	
1		SKIN, PLASTIC, 29, 96.....	1
2		DECAL, SNO-WAY, PLASTIC.....	1
3		SPACER, END, 96".....	2
4		SPACER, CENTER.....	1
5		CAPSCREW, 3/8"-16 X 1-1/4" GR 5.....	4
6		BRACKET, CLAMP, 29.....	2
7		SPACER, STAND.....	4
8		LOCKNUT, 3/8"-16, NYLON INSERT.....	4
9		CAPSCREW, 1/4"-20 X 1.0" GR 5.....	17
10		FLAT WASHER 1/4" X 1-1/2".....	34
11		LOCKNUT, 1/4"-20, NYLON INSERT.....	17
12		BRACKET, SKIN RETAINER.....	3
	<b><u>99101048</u></b>	<b><u>29R SKIN PACKAGE</u></b>	
1		SKIN, PLASTIC, 29R.....	1
2		DECAL, SNO-WAY, PLASTIC.....	1
3		SPACER, END.....	2
4		SPACER, CENTER.....	1
5		CAPSCREW, 3/8"-16 X 1-1/4" GR 5.....	4
6		BRACKET, CLAMP, 29.....	2
7		SPACER, STAND.....	4
8		LOCKNUT, 3/8-16, NYLON INSERT.....	4
9		CAPSCREW, 1/4"-20 X 1.0" GR 5.....	14
10		FLAT WASHER 1/4" X 1-1/2".....	28
11		LOCKNUT, 1/4-20, NYLON INSERT.....	14
12		BRACKET, SKIN RETAINER.....	1
13		BRACKET, RETAINER 42" MBV.....	1

ITEM	PART NO.	DESCRIPTION	QTY
	<b><u>99101083</u></b>	<b><u>26 - 80" SKIN PACKAGE</u></b>	
1		SKIN, PLASTIC, 26, 80" .....	1
2		DECAL, SNO-WAY, PLASTIC .....	1
3		SPACER, END.....	2
4		SPACER, CENTER, 80" .....	1
5		CAPSCREW, .3/8"-16 X 1-1/4" GR 5 .....	4
6		BRACKET, CLAMP, 26 .....	2
7		SPACER, STAND .....	4
8		LOCKNUT, 3/8"-16, NYLON INSERT.....	4
9		CAPSCREW, 1/4"-20 X 1.0".....	14
10		FLAT WASHER 1/4" X 1-1/2" .....	28
11		LOCKWASHER, 1/4"-20, NYLON INSERT .....	14
12		BRACKET, SKIN RETAINER.....	1
13		BRACKET, RETAINER 42", MBV .....	1
	<b><u>99101084</u></b>	<b><u>26 - 90" SKIN PACKAGE</u></b>	
1		SKIN, PLASTIC, 26, 90" .....	1
2		DECAL, SNO-WAY, PLASTIC .....	1
3		SPACER, END, 90" .....	2
4		SPACER, CENTER .....	1
5		CAPSCREW, 3/8"-16 X 1-1/4" GR 5 .....	4
6		BRACKET, CLAMP, 26 .....	2
7		SPACER, STAND .....	4
8		LOCKNUT, 3/8"-16, NYLON INSERT.....	4
9		CAPSCREW, 1/4"-20 X 1.0" GR 5 .....	17
10		FLAT WASHER 1/4" X 1-1/2" .....	34
11		LOCKNUT, 1/4"-20, NYLON INSERT.....	17
12		BRACKET, SKIN RETAINER.....	3
	<b><u>99101095</u></b>	<b><u>26R SKIN PACKAGE</u></b>	
1		SKIN, PLASTIC, 26R.....	1
2		DECAL, SNO-WAY, PLASTIC .....	1
3		SPACER, CENTER, 80 .....	2
4		SPACER, CENTER .....	1
5		CAPSCREW, 3/8"-16 X 1-1/4" GR 5 .....	4
6		BRACKET, CLAMP, 26 .....	2
7		SPACER, STAND .....	4
8		LOCKNUT, 3/8-16, NYLON INSERT .....	4
9		CAPSCREW, 1/4"-20 X 1.0" GR 5 .....	14
10		FLAT WASHER 1/4" X 1-1/2" .....	28
11		LOCKNUT, 1/4-20, NYLON INSERT .....	14
12		BRACKET, SKIN RETAINER.....	1
13		BRACKET, RETAINER 42" MBV .....	1

SNO-WAY® INTERNATIONAL, INC.



Hartford, WI 53027 USA  
Website: [www.snoway.com](http://www.snoway.com)  
©2014 Sno-Way® International