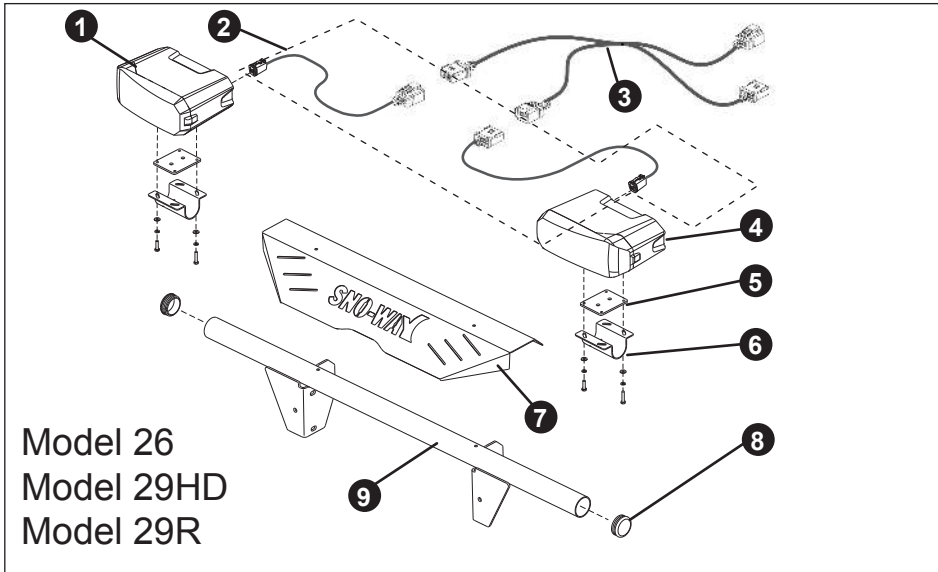




Sno-Way International, Inc.
Hartford, Wisconsin 53207
www.snoway.com

PLOW LIGHTING

REF. NO.	DESCRIPTION	PART NO.
1	Light Assy, PS,EIS	96113768
2	Kit, Harness,Plow Light	96110260
3	Harness, Main Light	96107894
4	Light Assy, DS, EIS	96113767
5	Isolator, Rubber	96113649
6	Bracket, Light Assy	96113583
7	Plate, Front	96113645
8	End Cap 2"	96108873
9	Bar, Upper Light	96113690

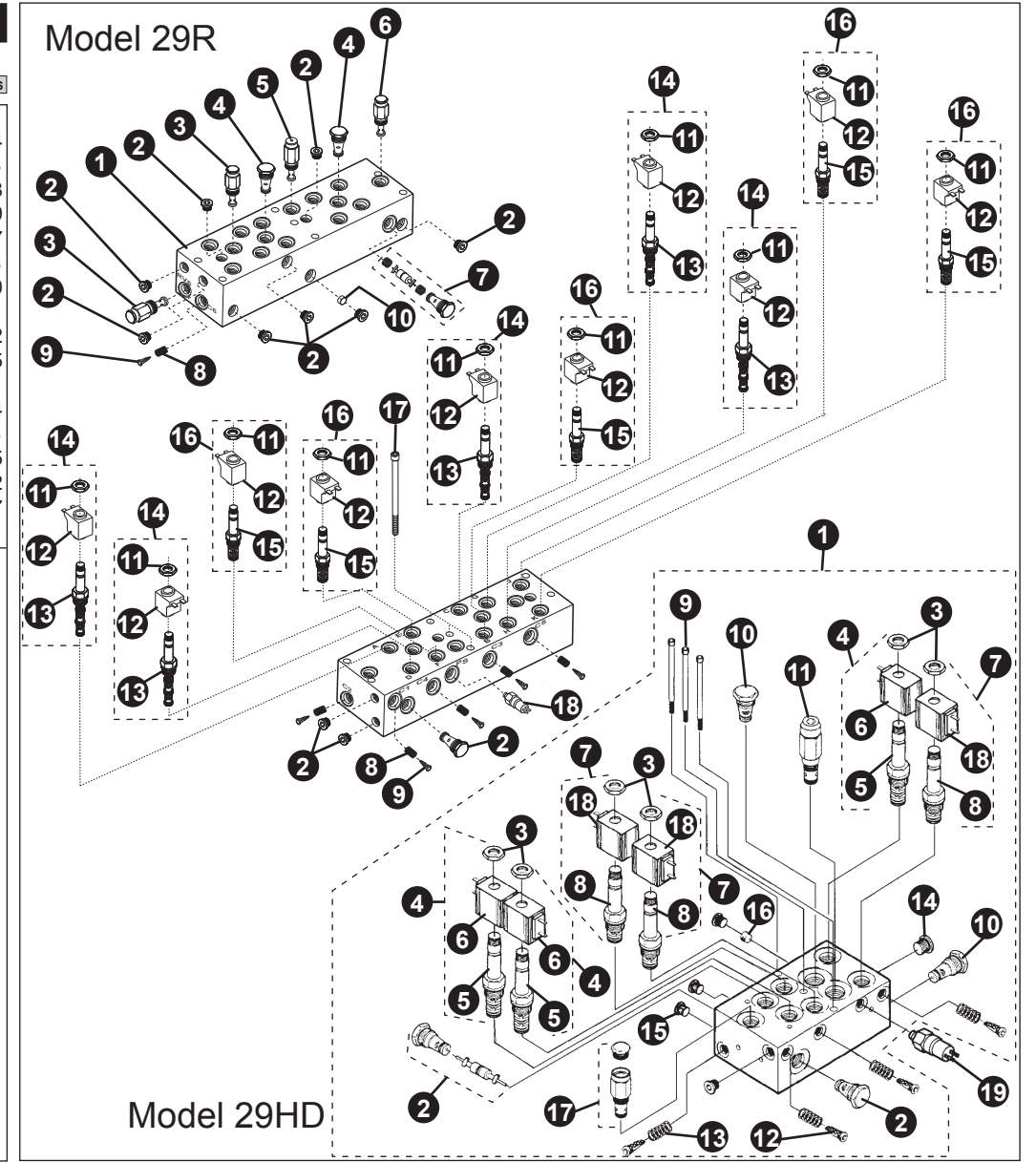


POWER PACK UNITS

REF. NO.	DESCRIPTION	PART NO.	
		29HD SERIES	29R SERIES
1	Housing, Valve		96105234
2	Fitting, Plug		96113408
3	Valve, Relief Cart, Size 8		96105238
4	Valve, Ck, Cart, Size 8		96105239
5	Valve, Relief Cart		96106417
7	Kit, Check Valve		96112948
8	Filter, Inline		96105250
9	Spring, Retainer		96105251
10	Plug,Oriface		96106102
11	Nut, Coil, Parker		96105275
12	Coil, 10 VDC, #8 Blue		96111171
13	Valve, Cart, 3W/2P #8, Hi-Flow		96108324
14	Kit, Valve Cartridge		96112584
15	Valve, Cartridge 2W/2P		96108325
16	Kit, Valve Cartridge		96108342
17	Screw, Socket Head 1/4" - 20 x 3"		96105237
18	Switch, Pressure 525 PSI		96100311

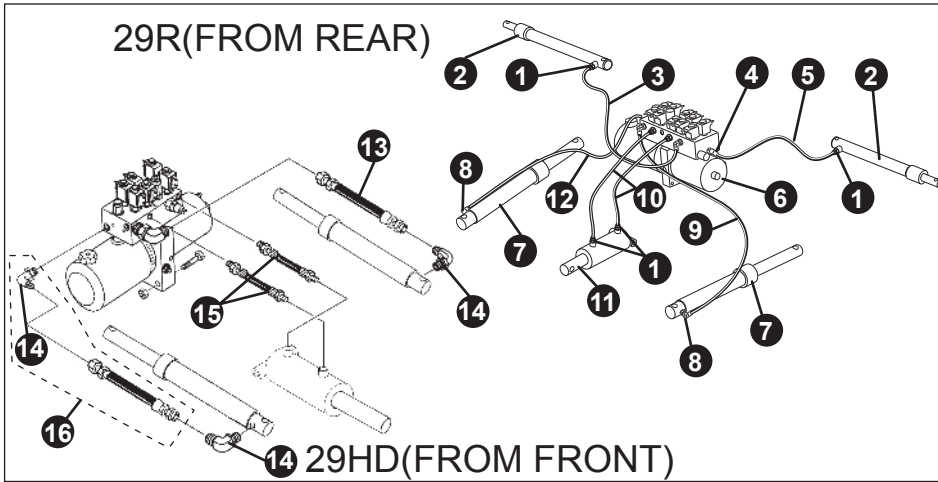
1	Valve Assembly		96106273
2	Valve, Check		96105275
3	Nut, Coil Retaining		96108341
4	Valve, 10V DC, Red Coil - Use		96108341
5	Valve, 10V DC, Black Coil		96108341
6	Cartridge, Red Coil - Use		96108341
7	Cartridge, Black Coil		96108324
8	Coil, 10V DC, Red		96105274
9	Coil, 10V DC, Black		96108323
10	Valve, 10V DC, Red Coil - Use		96108342
11	Valve, 2-Way, 10V DC, Blue Coil		96108342
12	Cartridge, Red Coil - Use		96108242
13	Cartridge, 2-Way, Blue Coil		96108325
14	Screw		96105237
15	Valve, Check		96105238
16	Valve, Relief, Down Pressure		96105239
17	Screen,Inline		96105250
18	Spring,Retaining		96105251
19	Fitting, Plug		96105240
20	Fitting, Plug		96105234
21	Fitting, Oriface		96105255
22	Kit, Oriface		96108627
23	Valve, Relief, Crossover		96106417
24	Coil, 10V DC - Blue		96111171
25	Switch, Pressure 525 PSI		96100311

Model 29R



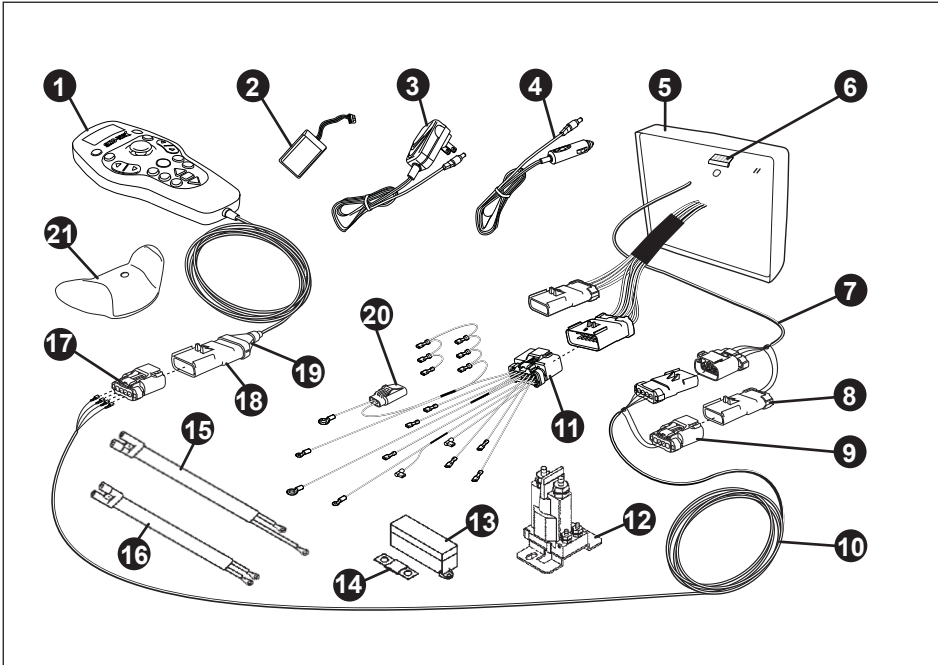
HYDRAULICS

REF. NO.	DESCRIPTION	PART NO.
1	Fitting,Straight Connector	96100000
2	Cylinder, Wing	96110951
3	Hose, Hyd. 48",DS	96107894
4	Fitting, Elbow 90	96112893
5	Hose, Hyd. 32",PS	96106071
6	Power Unit	
7	Cylinder, Swing	96110953
8	Fitting, Elbow 90	96100001
9	Hose, Hyd. 32"	96106071
10	Hose, Hyd. 18-3/4"	96106069
11	Cylinder, Lift	96106077
12	Hose, Hyd. 27-1/2"	96106070
13	Hose, Hyd. 32"	96106071
14	Fitting, Elbow 90	96100001
15	Hose, Hyd. 18-3/4"	96106069
16	Kit, Hose, Hyd. 27-1/2"	96106070



ELECTRICAL

REF. NO.	DESCRIPTION	PART NO.
1	Transmitter, Wired	96112246
2	Transmitter, Wireless	96112244
3	Battery, Wireless	96112258
4	Charger,ProControl,120VAC	96113316
5	Charger, ProControl,12VDC	96112376
6	Module,Receiver,Wired	96112998
7	Cap, Silicone	96112985
8	Kit, Module Harness Repair	96112931
9	Cap, Storage, Male	96112872
10	Cap, Storage, Female	96112871
11	Harness, Vehicle	96112913
12	Harness,Down Pressure	96112193
13	Harness,Gravity Down	96112955
14	Switch, Solenoid	96002086
15	Fuse Holder	96109143
16	Fuse, 250 Amp	96109142
17	Harness, Plow Power	96104230
18	Harness, Battery Power	96104221
19	Connector,Female,4 Way	96112300
20	Connector,Male,4 Way	96112301
21	Relief, Strain	96112840
22	Fuse,10Amp(Not Shown)	96112496
23	Clip, Dash Mount	96112259



HYDRAULIC PUMP ASSEMBLIES

REF. NO.	DESCRIPTION	PART NO.	
		29HD SERIES	29R SERIES
1	Plug, Breather	96105244	96105244
2	Reservoir, Plastic		96112556
3	Reservoir, Plastic		96105231
4	Clamp	96105231	96105231
5	Pump Assembly	96105735	96105735
6	O-Ring, 3/8" x 3-7/8" x 1/8"	96105315	96105315
7	O-Ring, 1/2" x 5/8" x 1/16"	96105316	96105316
8	Base Assembly		
9	O-Ring, 5/8" x 3/4" x 1/16"	96105314	96105314
10	Seal, Shaft	96105317	96105317
11	Motor, 12 VDC 4.5"	96105233	96105233
12	Kit, Relief Valve	96105313	96105313
13	Tube Assembly, Return		96112558
14	Tube Assembly, Return	96105249	96105249
15	Filter, Return		96105245
16	Filter, Return	96105245	96105245
17	Filter	96112489	
18	Tube, Suction		96105737
19	Tube, Suction	96105246	

