

# **SNO-WAY**®

**SNOW & ICE CONTROL EQUIPMENT**

## **ASSEMBLY & INSTALLATION INSTRUCTIONS**

**MEGABLADE™ VEHICLE MOUNT KIT  
99101052**

TO FIT  
2011 & Later GM Silverado/Sierra (4X4)  
2500 AND 3500

Sno-Way®, Down Pressure® and EIS® are registered trademarks of Sno-Way International, Inc.  
ProControl™, MegaBlade™, V-Wing™, E-Z Switch™, Revolution™, MaxAdjust™, SpeedLock™, and QuickJack™  
are trademarks of Sno-Way International, Inc.

©2014 Sno-Way® International

97101651C



1. **THINK SAFETY, ALWAYS WEAR SAFETY GLASSES WHEN PERFORMING THE OPERATIONS PRESCRIBED IN THESE INSTRUCTIONS**
2. **READ ALL INSTRUCTIONS CAREFULLY BEFORE ATTEMPTING INSTALLATION**
3. **BEFORE BEGINNING WORK MAKE SURE TO SET PARKING BRAKE AND CHOCK WHEELS**



### MINIMUM VEHICLE RECOMMENDATIONS

Heavy Duty Alternator  
 Heavy Duty Battery  
 Manufacturer's Snow Plow Package

*NOTE: On some vehicles it may be necessary to use a form of load booster to decrease the vehicle's front suspension sag with the snow plow in place. This can be accomplished with the use of supplementary air bags, booster springs, or similar load boosting devices. Since there are different load boosting devices available, it will up to the customer/end user to decide and purchase the product to suit the application, and not the responsibility of Sno-Way International, Inc.*

### ASSEMBLY TOOLS NEEDED

Impact Sockets	7/16" – 1-3/8"
Impact Sockets, Metric	10mm – 18mm
Wrenches	7/16" – 1-3/8"
Wrenches, Metric	10mm - 18mm
Torque Wrench	
Rat Tail Pry Bar	
Cutting Wheel	
Touch-up Paint	

### INSTALLATION NOTES

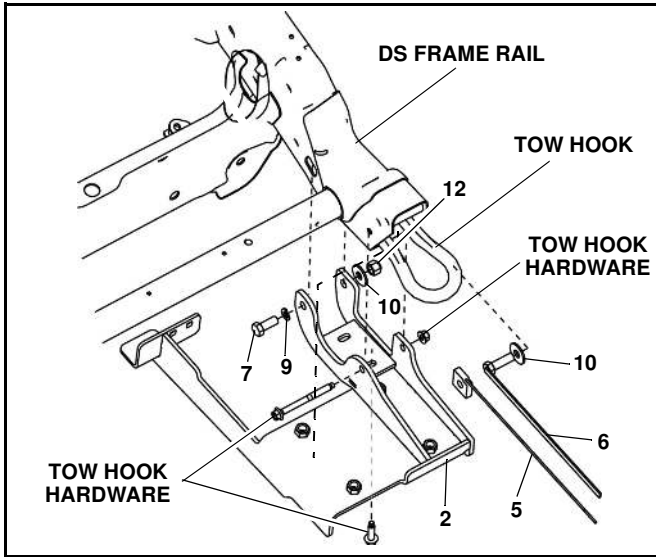
1. **Unless otherwise specified, mount all Vehicle Mount Kit Components to vehicle before tightening any hardware.**
2. **It is recommended that LOCTITE®, or similar thread locking product, be used on ALL mounting hardware (i.e. Nuts, Cap Screws, Bolts, etc.).**
3. Vehicle should be parked on a level surface with a normal vehicle load on the FRONT suspension.
4. Items in parentheses ( ) refer to quantity required for that step. Items with a pound sign (#) indicate the part number as found in the parts list on the last page of this document. Example: (2) of item #7.
5. It maybe necessary to relocate license plate holder. Relocate under the driver's side headlight by drilling new holes in the bumper.

### MOUNTING INSTRUCTIONS

1. Remove the bumper with the air dam attached and disconnect the fog lights if present. Retain with hardware for replacement at the end of the installation. Typically, the front fascia or air dam of the vehicle will need to be modified or removed to accommodate the Vehicle Mount Kit.

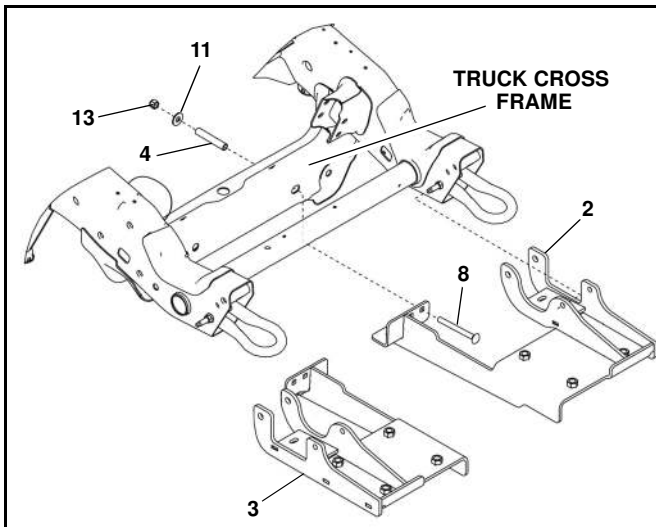
*NOTE: 2015 & Later models require more modification because of the manufacturer's integration of metal into the bumper. Details of the modification can be seen in step 14.*

2. Remove splash shield from underneath the vehicle. It may be possible to reinstall the splash shield on the vehicle, above item #1 (Vehicle Receiver Member), but modifications may be needed. (Otherwise retain with hardware for future use.)
3. Remove the tow hooks and retain with hardware for re-installation. NOTE: For steps 4 through 8, refer to Figure 1.



**Figure 1**

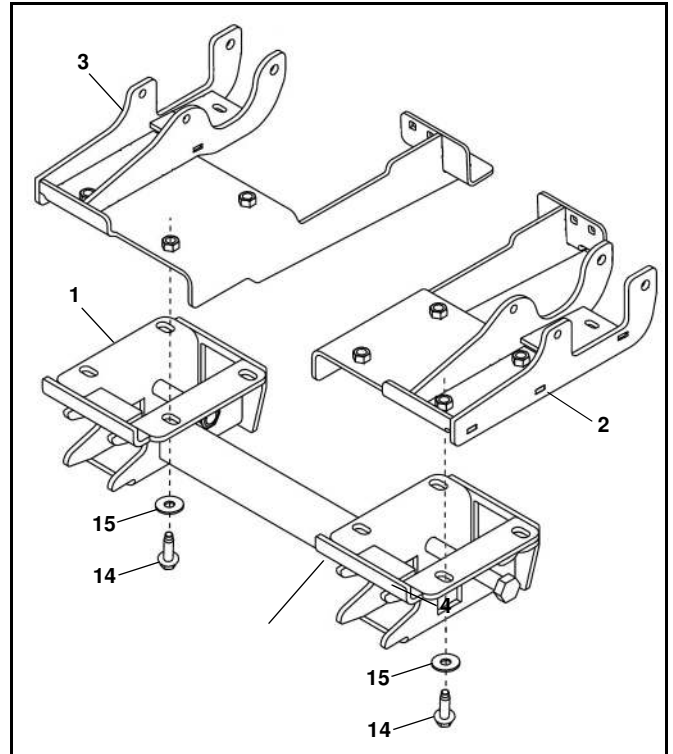
4. Fit item #2 to the driver side frame rail by aligning the hole and front slot of item #2 to the holes from which the tow hook hardware was removed.
5. Insert (1) of item #6 & #10 into the front of the frame rail, out the hole opposite the square cut out, and into item #2.
6. Then, loosely attach (1) of item #10 & #12 to item #6.
7. Insert (1) of item #5 into the front of the frame rail. Hold item #5 near the square cut out and loosely attach (1) of item #7 & #9 to item #5 through Item #2 and frame rail.
8. Loosely attach the tow hook and Item #2 with the previously removed tow hook hardware.



**Figure 2**

9. Insert (1) of item #8 through item #2 and the truck's cross frame. (See Figure 2).

10. Slide (1) of Item #4 & #11 over item #8 and loosely attach (1) of item #13 to item #8 (Grinding may be necessary to fit item #4 into the hole of the truck cross frame).
11. Repeat steps 4 through 10 to install #3 on the passenger side.

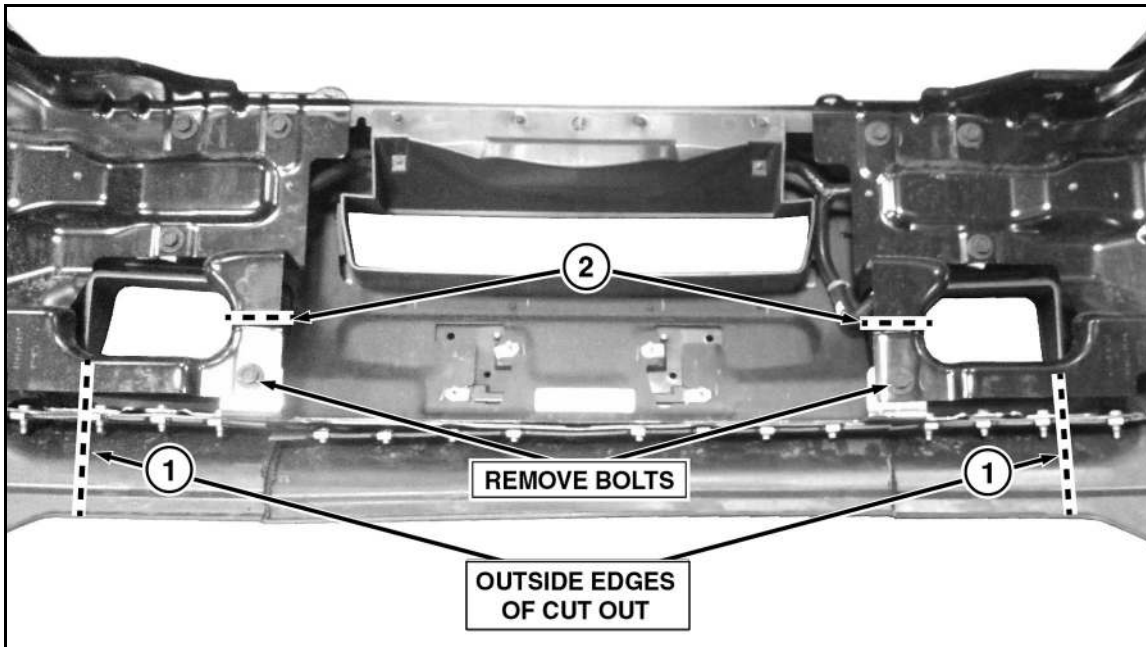


**Figure 3**

12. Secure item #1 to items #2 & #3 using (8) of Item #15 and (8) of item #14. (See Figure 3).
13. Using the Torque Specification Chart (See Page 6), torque all bolts starting at the rear and working forward.
14. If installing on a 2014 or earlier model, skip to step 15. (See Page 6.)

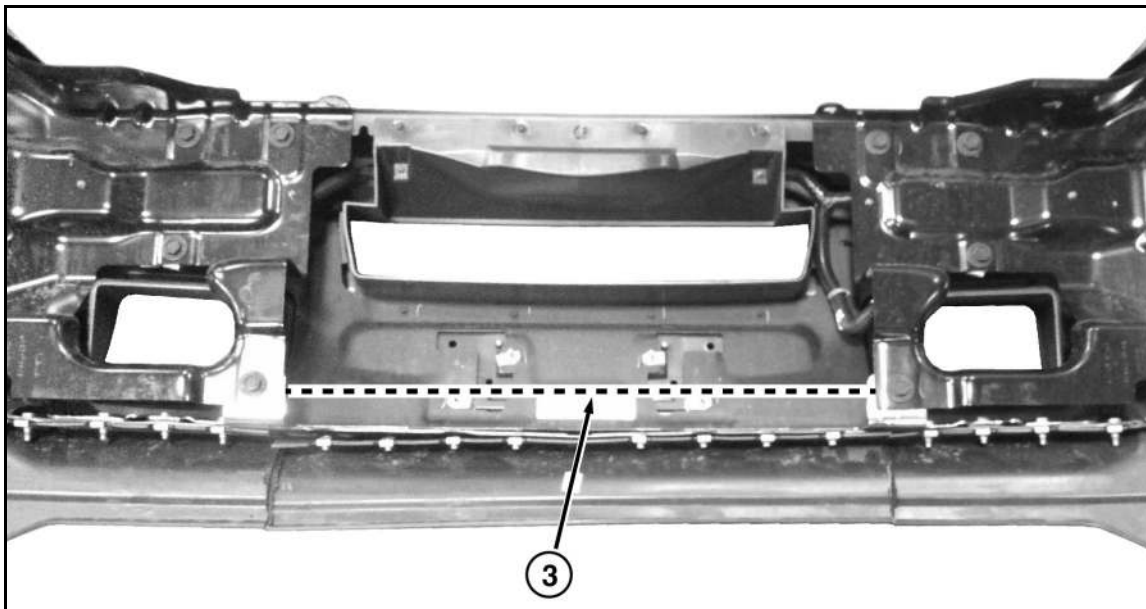
If installing on a 2015 and later model, further modifications to the bumper are required and are different between the Sierra and Silverado models. (See page 3 for Sierra or page 5 for Silverado models.)

**FOR 2015 & LATER GMC SIERRA PICKUPS**



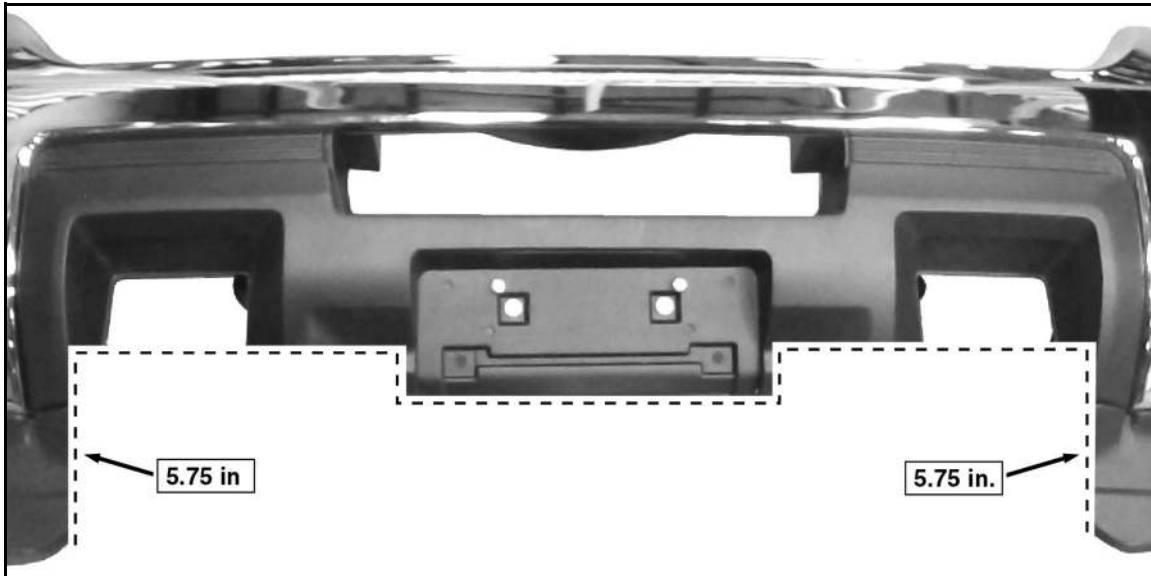
**Figure 4**

- A. Cut #1 - Cut completely through the bumper, aligning the cut with the outside edge of the rectangular hole for the tow hooks. (See Figure 4.)
- B. Cut #2 j- Cut just above the horizontal bend, then remove the bolts holding the sections of metal in place. (See Figure 4.)



**Figure 5**

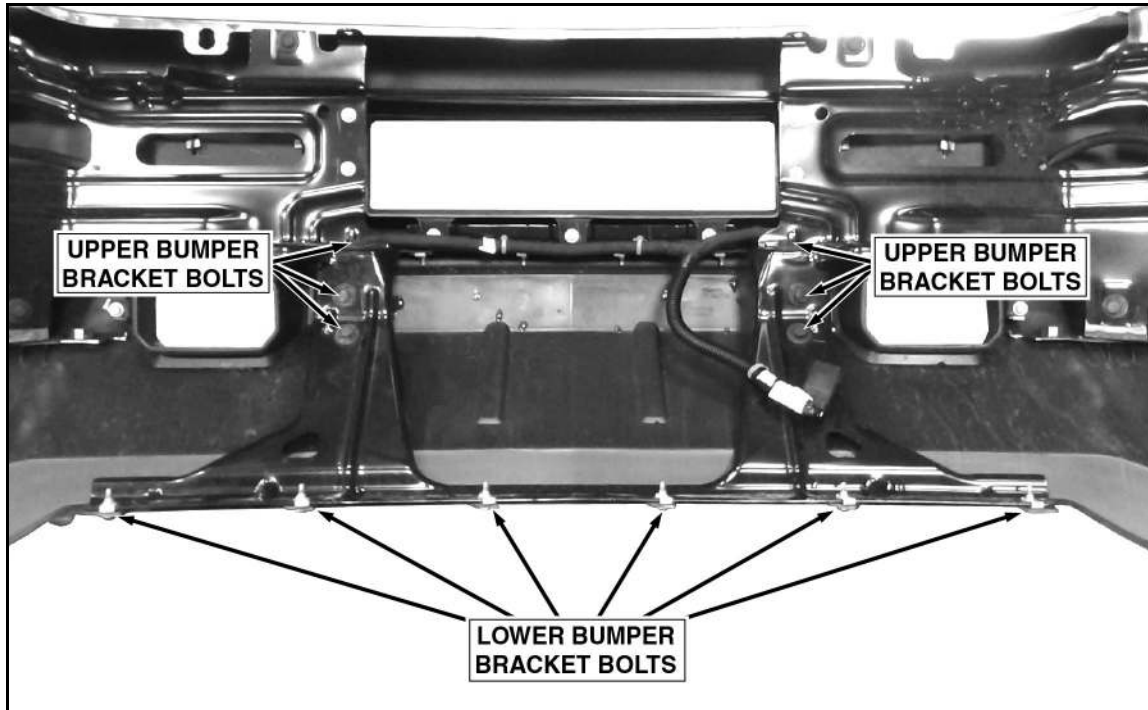
- C. Cut #3 - Be sure to cut #3 only into the integrated metal and not the plastic portion of the bumper. (See Figure 5.)
- D. Dress all exposed cut metal edges on the bumper with touch-up paint to prevent corrosion.



**Figure 6**

E. Steps A-D removes the interfering integrated metal in the bumper. The remaining plastic can be modified and cut as usual for the Vehicle Receiver Member. (See Figure 6.)

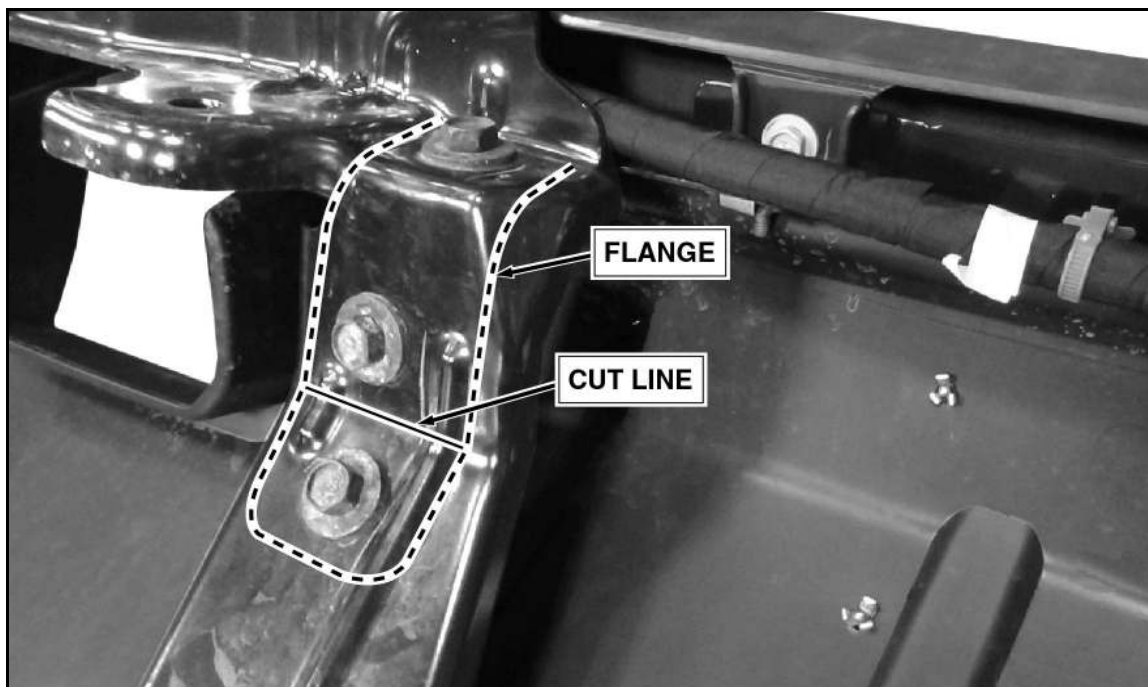
**FOR 2015 & LATER CHEVEROLET SILVERADO PICKUPS**



**Figure 7**

F. Remove 6 bolts (3 each side) holding the upper bumper bracket to the main bumper flanges. (See Figure 7.)

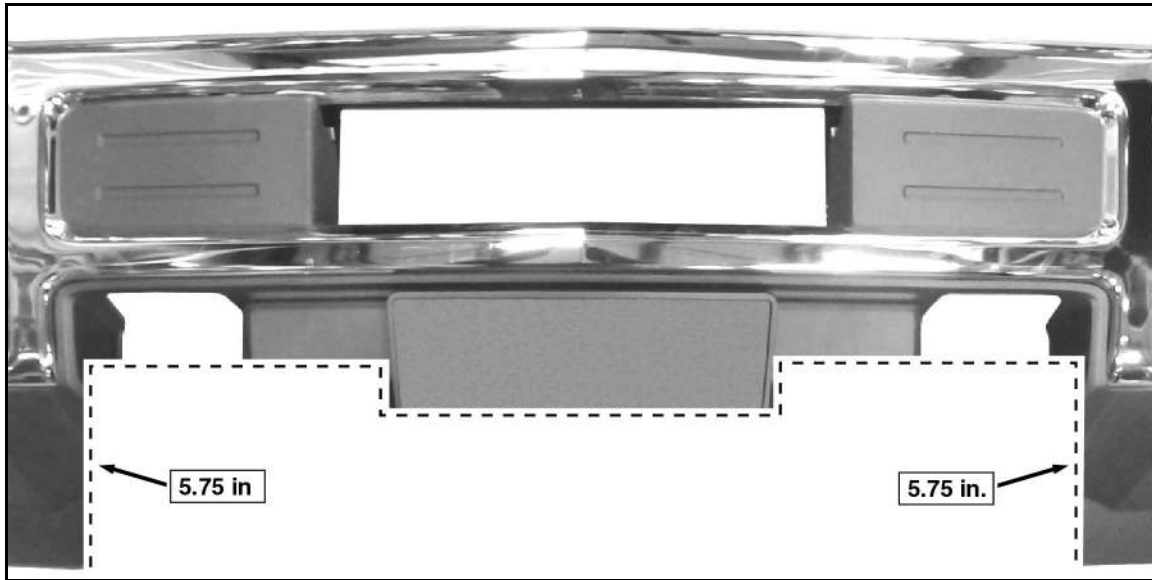
G. Remove 6 bolts holding the lower bumper bracket to the lower plastic portion of the bumper. (See Figure 7.)



**Figure 8**

H. The lower portion of both main bumper flanges (shown outlined above) must be cut.. Cut the lower portion of each flange as shown above. (See Figure 8.)

I. Dress all exposed cut metal edges on the bumper with touch-up paint to prevent corrosion.

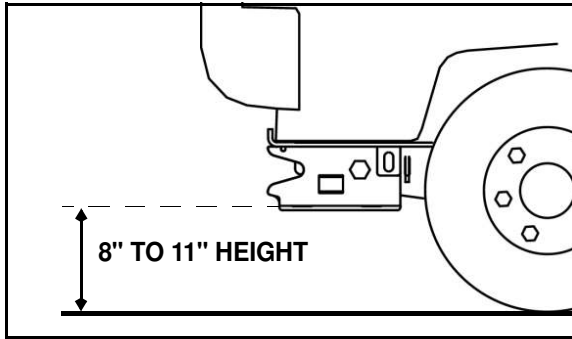


**Figure 9**

J. Steps F-I removes the interfering bumper bracket from the rear of the bumper. The remaining plastic can be modified and cut as usual for the VRM. (See Figure 9.)

15. Re-install the bumper onto the vehicle and reconnect the fog lights if present.

16. Using the Torque Specification Chart below, torque all bumper bolts.



**Figure 10**

**IMPORTANT: Height from the bottom of the Vehicle Receiver Member to the ground should be between 8" and 11" for proper operation.**

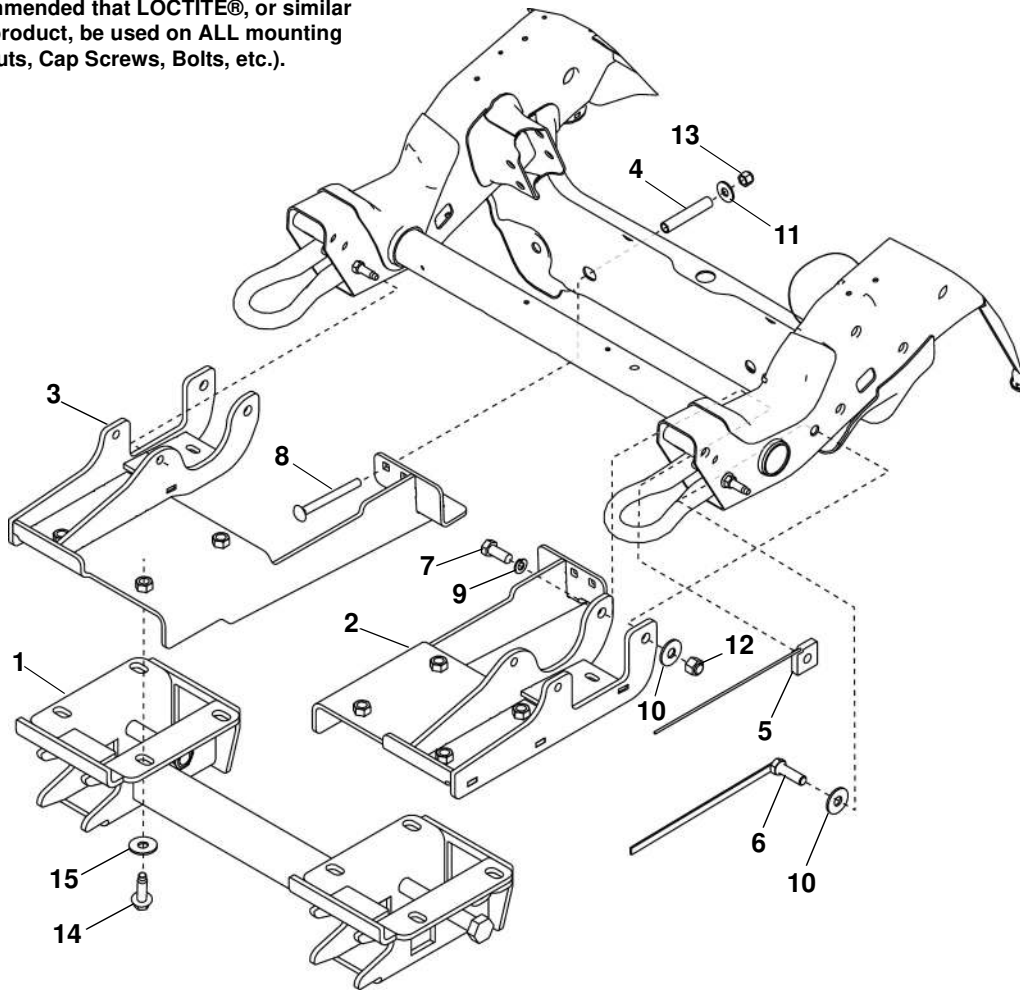
TORQUE SPECIFICATIONS FOR STANDARD MACHINE HARDWARE					
Bolt Size	GR.2 Dry	GR.5 Dry	GR.8 Dry	Metric Size	GR.8.8 Dry
1/4"	66*	9	12	M8	17
5/16"	11	17	25	M10	35
3/8"	20	30	45	M12	60
7/16"	32	50	70	M14	95
1/2"	50	75	110	M16	155
9/16"	70	110	150		
5/8"	100	150	220		
3/4"	175	260	380		
7/8"	170	430	600		
1"	250	640	900		

Note: These torque values are to be used for all hardware. Unless otherwise specified, all torque values must meet this specification.  
 Note: All torque values are in Ft.-Lbs unless otherwise stated  
 Note: \*In-Lbs

**REMEMBER After 5 to 10 hours of snowplow usage, re-torque all Cap Screws!**

# PARTS LIST

Note: It is recommended that LOCTITE®, or similar thread locking product, be used on ALL mounting hardware (i.e. Nuts, Cap Screws, Bolts, etc.).



ITEM	PART NO.	DESCRIPTION	QTY.
1		Weldment, VRM (included in power pack) .....	1
2		Side Weldment, DS .....	1
3		Side Weldment, PS .....	1
4		Spacer, Tube .....	2
5		Nut Plate.....	2
6		Handle Bolt Weldment.....	2
7		Hex Head Cap Screw, 5/8"-11 x 1-1/2".....	2
8		Carriage Bolt, 1/2"-13 x 5".....	2
9		Lock Washer, 5/8".....	2
10		Flat Washer, 5/8", B Regular .....	4
11		Flat Washer, 1/2", A Wide.....	2
12		Lock Nut, 5/8"-11, Nylock Insert .....	2
13		Lock Nut, 1/2"-13, Nylock Insert .....	2
14		Hex Head Cap Screw, 5/8"-11 x 1-3/4".....	8
15		Flat Washer, 5/8", .195/.170 Thick, Hardened.....	8
16	96113556	Kit, HDWE (Includes Items 4, 7-13) (Not Shown).....	1
17	96112338	Kit, VRM HDWE (Includes Items 14, 15) (Not Shown).....	1

SNO-WAY® INTERNATIONAL, INC.



Hartford, WI 53027 USA  
 Website: [www.snoway.com](http://www.snoway.com)  
 ©2014 Sno-Way® International