

SNO-WAY[®]

SNOW & ICE CONTROL EQUIPMENT

SERVICE PARTS MANUAL

MEGABLADE[™] V-WING[™] SERIES SNOW PLOW

WITH SERIAL NUMBERS AFTER
MBV200000

Sno-Way[®], Down Pressure[®] and EIS[®] are registered trademarks of Sno-Way International, Inc.
ProControl[™], MegaBlade[™], V-Wing[™], E-Z Switch[™], Revolution[™], MaxAdjust[™], SpeedLock[™], and QuickJack[™]
are trademarks of Sno-Way International, Inc.

©2013 Sno-Way[®] International

97101606D

TABLE OF CONTENTS

	Page
PARTS LIST INTRODUCTION	2
USING THIS PARTS LIST	2
PART DESCRIPTION ABBREVIATIONS	2
A-FRAME/TOWER ASSEMBLY	3
V-WING™ BLADE	5
LOWER LIGHT BAR ASSEMBLY (LLLB).....	6
QUICKJACK™ STAND	7
HYDRAULIC SYSTEM	8
HYDRAULIC POWER UNIT	9
POWER PACK WIRING	11
PROCONTROL™ SYSTEM WIRING	12
AUXILIARY LIGHTING	13
NUMERICAL INDEX	15

PARTS LIST INTRODUCTION

Our dealership network stands by to provide you with any assistance you may require, including genuine Sno-Way service parts. All parts should be obtained from or ordered through your dealer. Give complete information about the part(s) at time of order, and include the Model and applicable Serial Numbers of your machine.

NOTE: The Model and all Serial number information should be recorded on page two of your Installation and Owner's Manual for ease of reference. The location of these numbers on the machine is detailed in the manual as well.

"Right" and "Left" are determined from a position sitting on the Operators seat of the vehicle.

We reserve the right to make changes or improvements in the design or construction of any part without incurring the

USING THIS PARTS LIST

A sample parts listing is shown below:

- The "**ITEM**" in column one is the number used in the corresponding illustration.
- The "**PART NO.**" in column two is the number used to order replacement parts. If a number does not appear in the column the part is only available by ordering the complete assembly.
- The "**DESCRIPTION**" in column three is the name of the replacement part. At times the name may be indented, this means that the indented parts are part of the preceding assembly.
- The "**QTY.**" in column four is the quantity needed to service the assembly illustrated, not the complete product.

ITEM	PART NO.	DESCRIPTION	QTY.
1	96100083	O-ring	1
2	96001529	Elbow	3
3	98100036	Capscrew, Hex.,3/8"-16NC x 7/8"	9

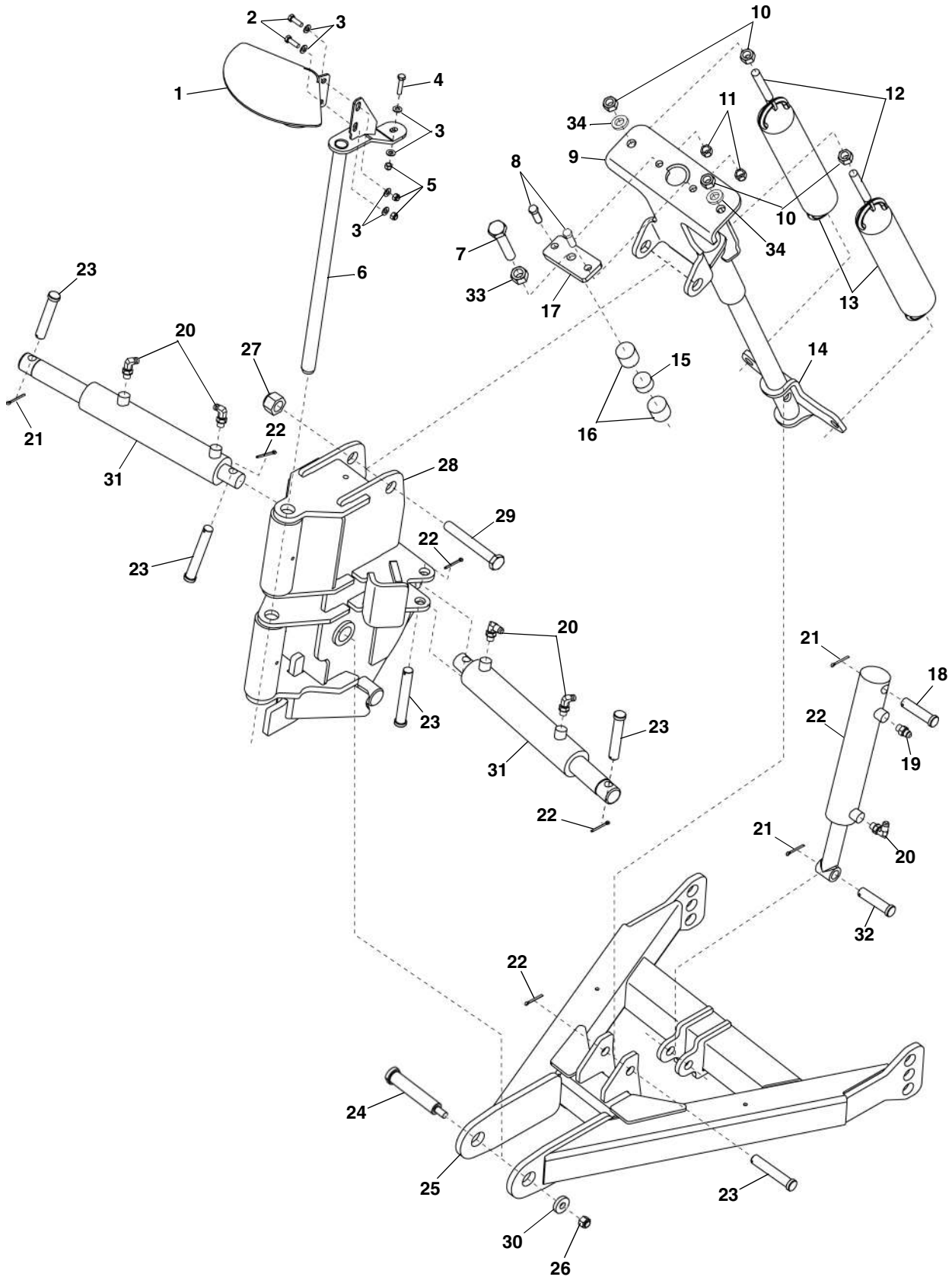
PART DESCRIPTION ABBREVIATIONS

Our Part Descriptions use common industry standard abbreviations in the naming conventions for many individual items. The list below details the abbreviations commonly used throughout this manual. If a specific abbreviation is not listed, contact any Sno-Way Dealer for clarification.

ABBREV.	DESCRIPTION
BRKT	BRACKET
CB	CARRIAGE BOLT
CLP	CLEVIS PIN
COTP	COTTER PIN
DP	DOWN PRESSURE
DS	DRIVER SIDE
EB	EYE BOLT
GR	GRADE
HDWE	HARDWARE
HHCS	HEX HEAD CAP SCREW
HN	HEX NUT
HNILN	HEX NYLON INSERT LOCKNUT

ABBREV.	DESCRIPTION
HW	HARD WIRED
HWH	HEX WASHER HEAD
LN	LOCK NUT
LW	HELICAL LOCK WASHER
PS	PASSENGER SIDE
PW	PLAIN FLAT WASHER
SHCS	SOCKET HEAD CAP SCREW
SLT	SLOTTED
SS	STAINLESS STEEL
ST	SELF-THREADING
UB	U-BOLT
WL	WIRELESS

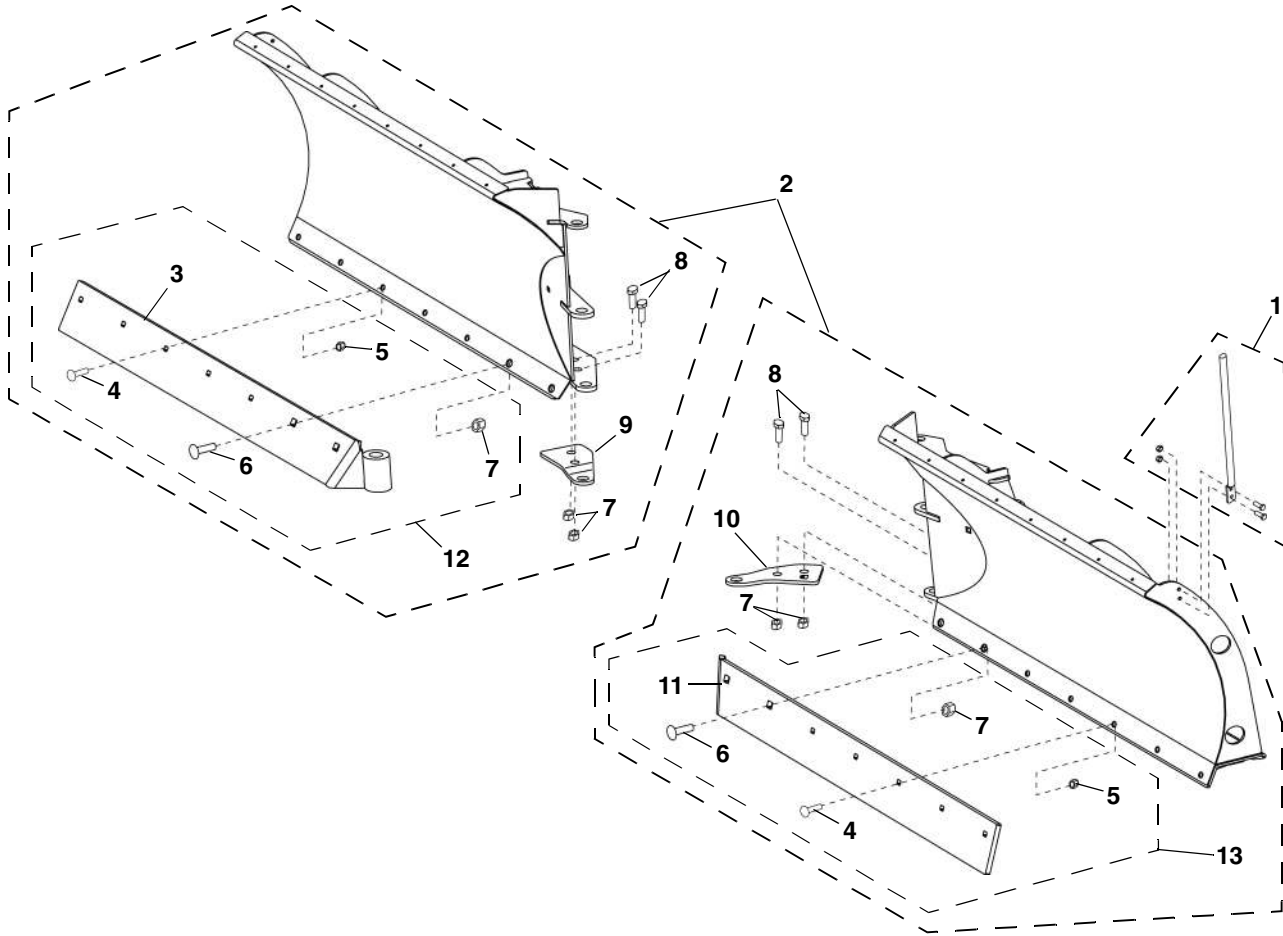
A-FRAME/TOWER ASSEMBLY



A-FRAME/TOWER ASSEMBLY

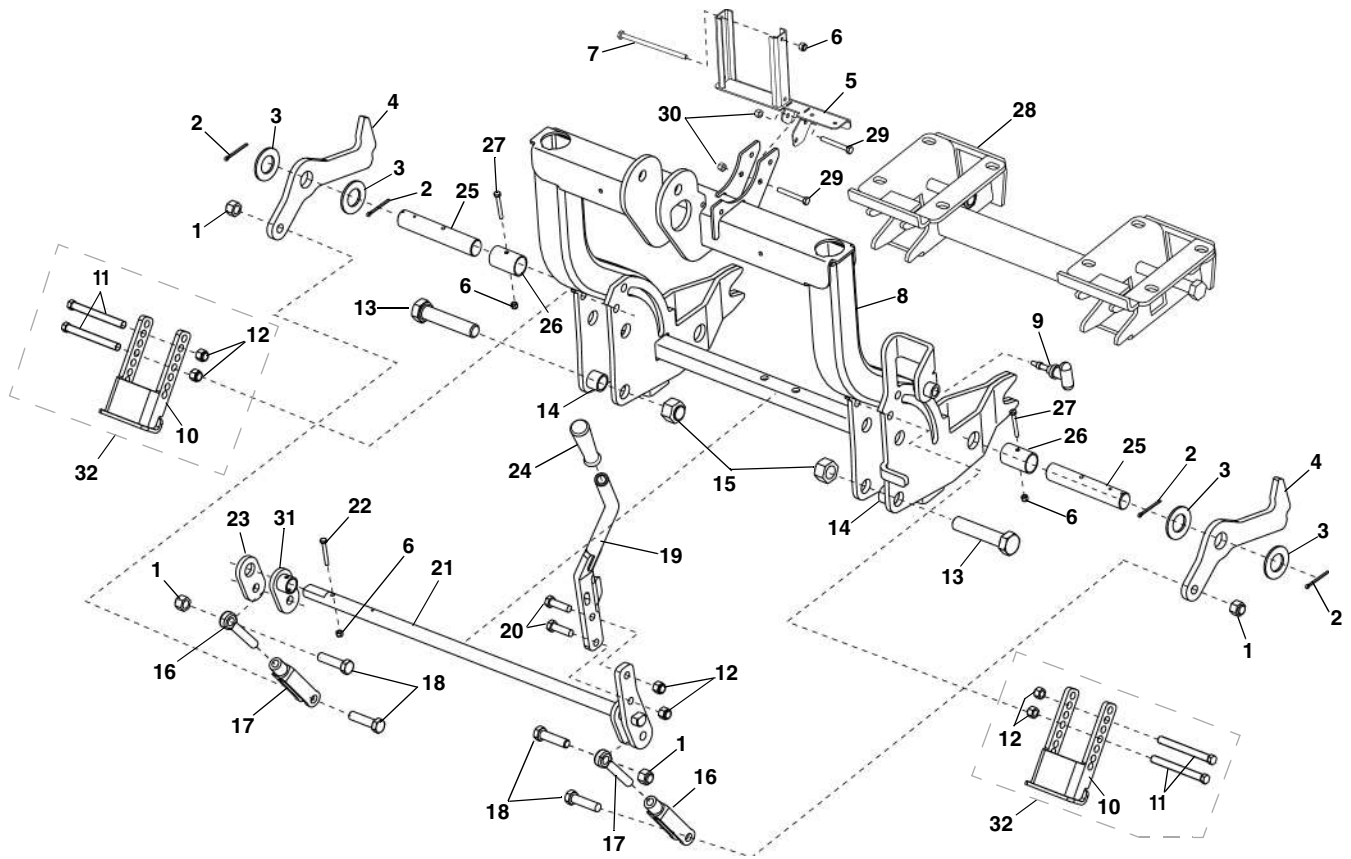
ITEM	PART NO.	DESCRIPTION	QTY
1	96112220	WELDMENT, CENTER DEFLECTOR.....	1
2	98009149	HHCS, 5/16"-18 X 1.0"	2
3	98009024	PW, 5/16" HARD	6
4	98009023	HHCS, 5/16"-18 X 1.5"	1
5	98009150	LN, 5/16"-18, NYLON INSERT	3
6	96111951	WELDMENT, PIN, MBV	1
7	98100455	TAP BOLT, 3/4"-10 X 4", UNC, FULL THREAD	1
8	98100010	HHCS. 1/2"-13 X 2"	2
9		WELDMENT, SPRING HOLDER, TOP	1
10	98009078	HN, 5/8"-11	4
11	98009013	LN, 1/2"-13, NYLON INSERT	2
12	98100457	EB., 5/8"-11 X 4-1/2"	2
13	96112891	SPRING, TRIP, MBV	2
14		WELDMENT, SPRING HOLDER, BOTTOM	1
15	96111065	STOP.....	1
16	96112908	PLATE, STOP.....	2
17	96112894	PLATE, ADJUSTMENT	1
18	98100441	CLP, 3/4" X 5"	1
19	96100000	FITTING, STRAIGHT CONNECTOR	1
20	96100001	FITTING, ELBOW 90°	5
21	98009085	COPT, 5/32" X 1-1/2	7
22	96112654	CYLINDER, LIFT, 2" X 12" STROKE	1
23	98100007	CLP, .3/4"-4.00"	5
24	96112733	PIN, TOWER, PIVOT	1
25	96113044	A-FRAME, MBV	1
26	98009038	LN, 5/8"-11, NYLON INSERT	1
27	98009053	LN, 1"-8, NYLON INSERT	1
28	96114273	TOWER	1
29	98100474	HHCS, 1"-8 X 7"	1
30	98100469	WASHER, SPECIAL.....	3
31	96111453	CYLINDER, SWING, DA 2" X 9-1/2", MBV	2
32	98100040	PIN, CLEVIS, 3/4" x 3", HEAT TREATED RC 28-32	1
33	98100473	HN, 3/4"-10, JAM.....	1
34	98009039	PW, 5/8" TYPE B REGULAR	2

V-WING™ BLADE



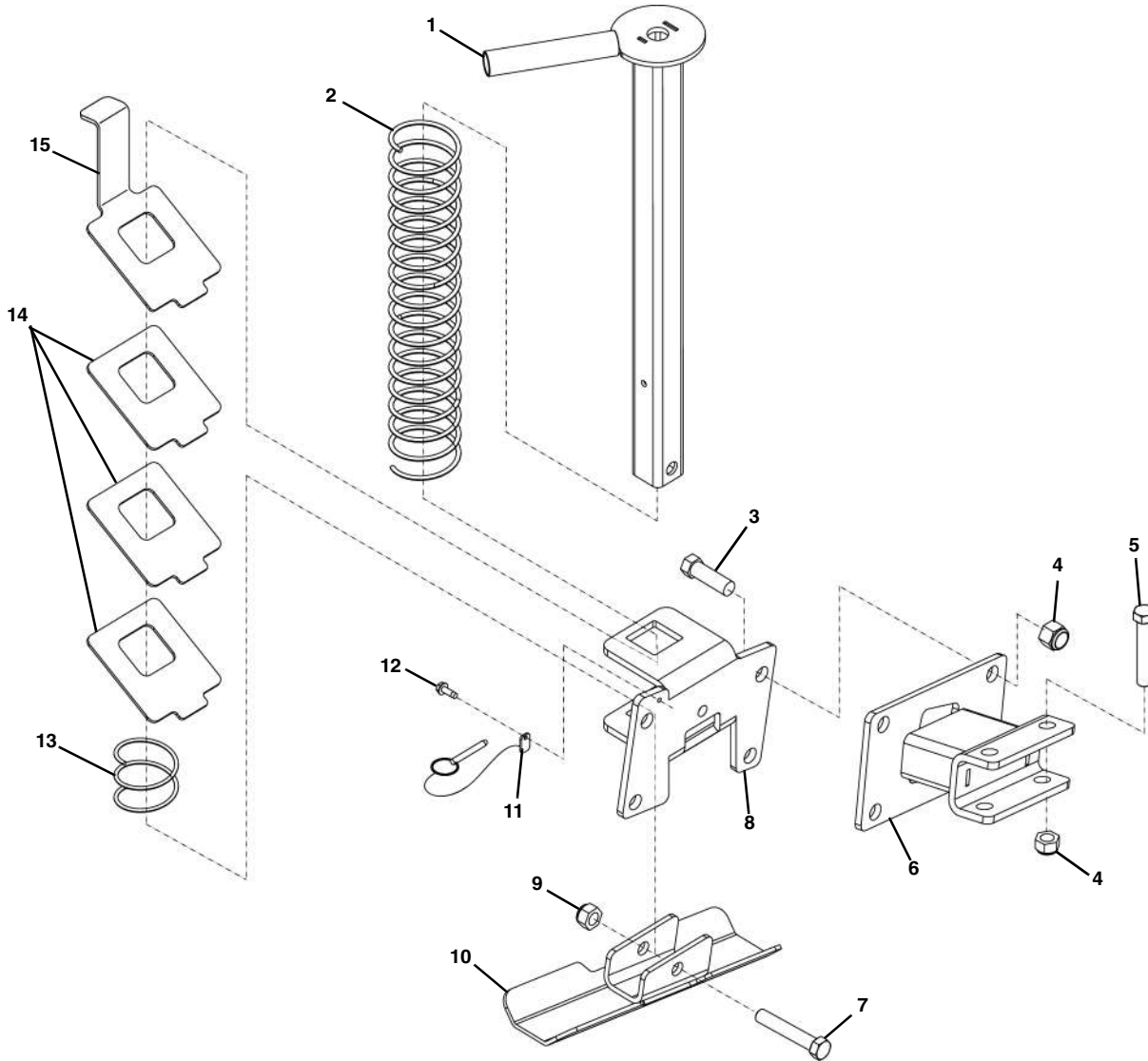
ITEM	PART NO.	DESCRIPTION	QTY
1	96112352	KIT, BLADE GUIDE-YELLOW	2
		HHCS, 5/16"-18 X1" SS (INCLUDED WITH ITEM #1)	2
		LN, 5/16"-18, SS (INCLUDED WITH ITEM #1)	2
2	99100980	PKG, WINGS, 29VHD, PS & DS SET	1
3		WEARSTRIP, 29VHD, PS	1
4	98100481	CB, 1/2"-13 X 1-3/4"	10
5	98009013	LN, 1/2"-13, NYLON INSERT	10
6	98100482	CB, 3/4"-10 X 2"	4
7	98009003	LN, 3/4"-10, NYLON INSERT	8
8	98009001	HHCS, 3/4"-10 X 2.50"	4
9	96113365	SUPPORT PLATE, LOWER HINGE, PS	1
10	96113364	SUPPORT PLATE, LOWER HINGE, DS	1
11		WEARSTRIP, 29VHD, DS	1
12	96113318	WEARSTRIP KIT, 29VHD PS (INCLUDES ITEM 3 AND HARDWARE)	1
13	96113319	WEARSTRIP KIT, 29VHD DS (INCLUDES ITEM 11 AND HARDWARE)	1

LOWER LIGHT BAR ASSEMBLY (LLLB)



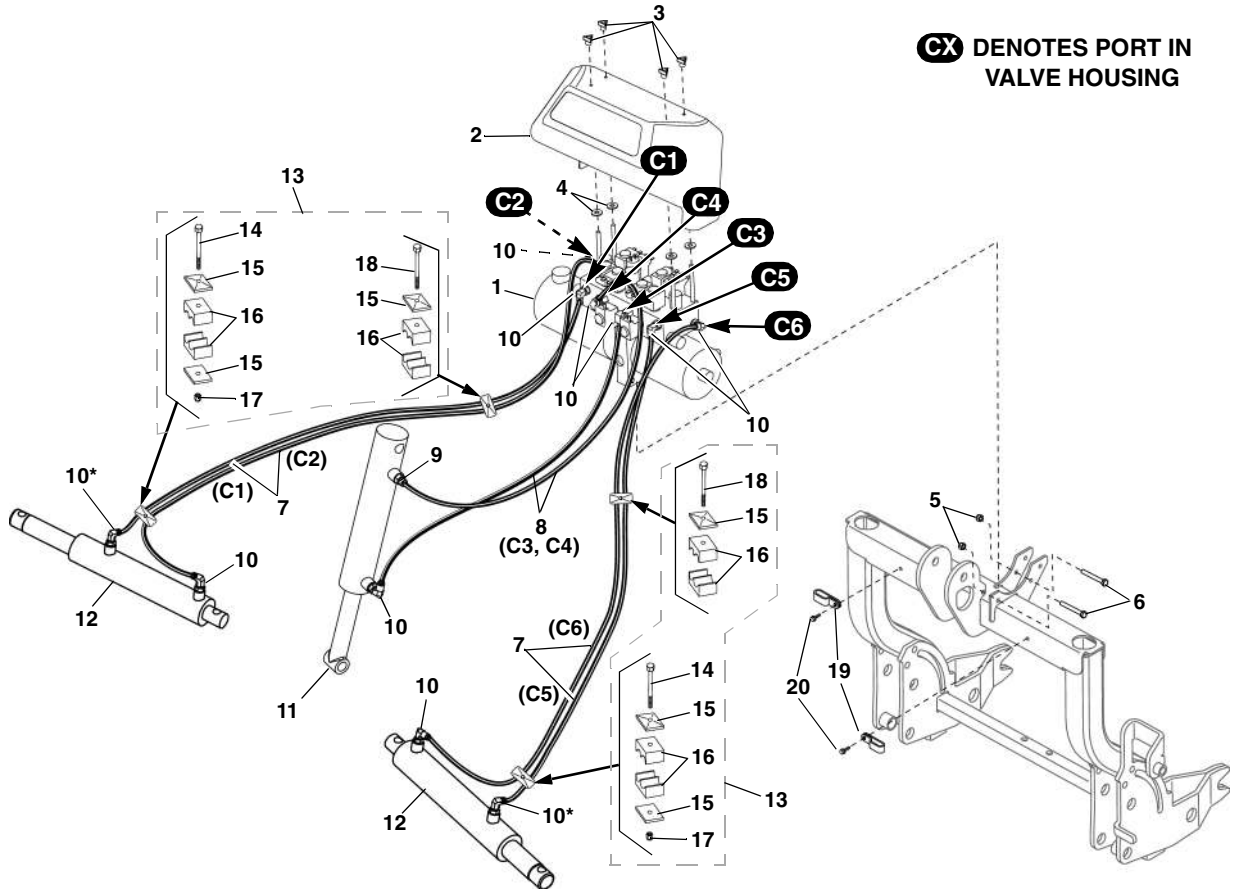
ITEM	PART NO.	DESCRIPTION	QTY
1	98009038	LN, 5/8"-11, NYLON INSERT	4
2	98009069	COPT, 5/32" X 2"	4
3	98100439	PW, 1-1/4" A NARROW	4
4	96111245	LATCH	2
5		WELDMENT, MB RECEIVER	1
6	98100255	LN, 1/4"-20, NYLON INSERT	4
7	98100266	HHCS, 1/4"-20 X 6"	1
8		LLLB	1
9	96112330	PIN, SPRING SECTION	1
10		STOP, LIFT	2
11	98009043	HHCS, 1/2"-13 X 5.00"	4
12	98009013	LN, 1/2"-13, NYLON INSERT	6
13	98100448	HHCS, 1"-8 X 5"	2
14	96101465	TUBE, SPACER	2
15	98009053	HNILN, 1"-8	2
16	98100451	TAPPED YOKE	2
17	98100450	ROD END- PARTIALLY THREADED	2
18	98009259	HHCS, 5/8"-11 X 2.50"	4
19		WELDMENT, HANDLE UPPER	1
20	98100095	HHCS, 1/2"-13 X 1-3/4"	2
21		WELDMENT, ATTACH MECHANISM	1
22	98100337	HHCS, 1/4"-20 x 1-3/4"	1
23	96111463	CAM, ATTACH MECH	1
24	96112417	HANDLE, HOOK-UP	2
25	96112604	PIN, LATCH PIVOT	2
26	96112603	TUBE, SPACER, LATCH PIVOT	2
27	98100447	HHCS, 1/4"-20 X 2"	2
28	96112795	VRM (VEHICLE RECEIVER MOUNT)	1
29	98009082	HHCS, 5/16"-18 X 2-1/2"	2
30	98009150	LN, 5/16"-18, NYLON INSERT	2
31		WELDMENT CAM, ATTACH MECH.	1
32	96113119	KIT, STOP, LIFT (INCLUDES ITEM 10, QTY 2 AND ITEMS 11-12, QTY 4 EACH)	1

QUICKJACK™ STAND



ITEM	PART NO.	DESCRIPTION	QTY
	96112714	KIT, JACKSTAND, MBV (INCLUDES ITEMS #1-15	1
1		WELDMENT, JACKSTAND	1
2		SPRING, JACKSTAND.....	1
3		HHCS, 1/2"-13 X 1-1/2".....	4
4		LN, 1/2"-13, NYLON INSERT.....	6
5		HHCS, 1/2"-13 X 3".....	2
6		WELDMENT, JACKSTAND MOUNT.....	1
7		HHCS, 7/16"-20 X 2-1/2".....	1
8		BRCKT, JACK RETAINER	1
9		LN, 7/16"-20.....	1
10		WELDMENT, FOOT.....	1
11		PIN, 1/4"-20, LAYNARD.....	1
12		HEX WASHER HEX SCREW, #8 X 1/2".....	1
13		SPRING, JACKSTAND.....	1
14		BRACKET, RACHET PLATE.....	3
15		BRACKET, RACHET PLATE W/HANDLE.....	1

HYDRAULIC SYSTEM



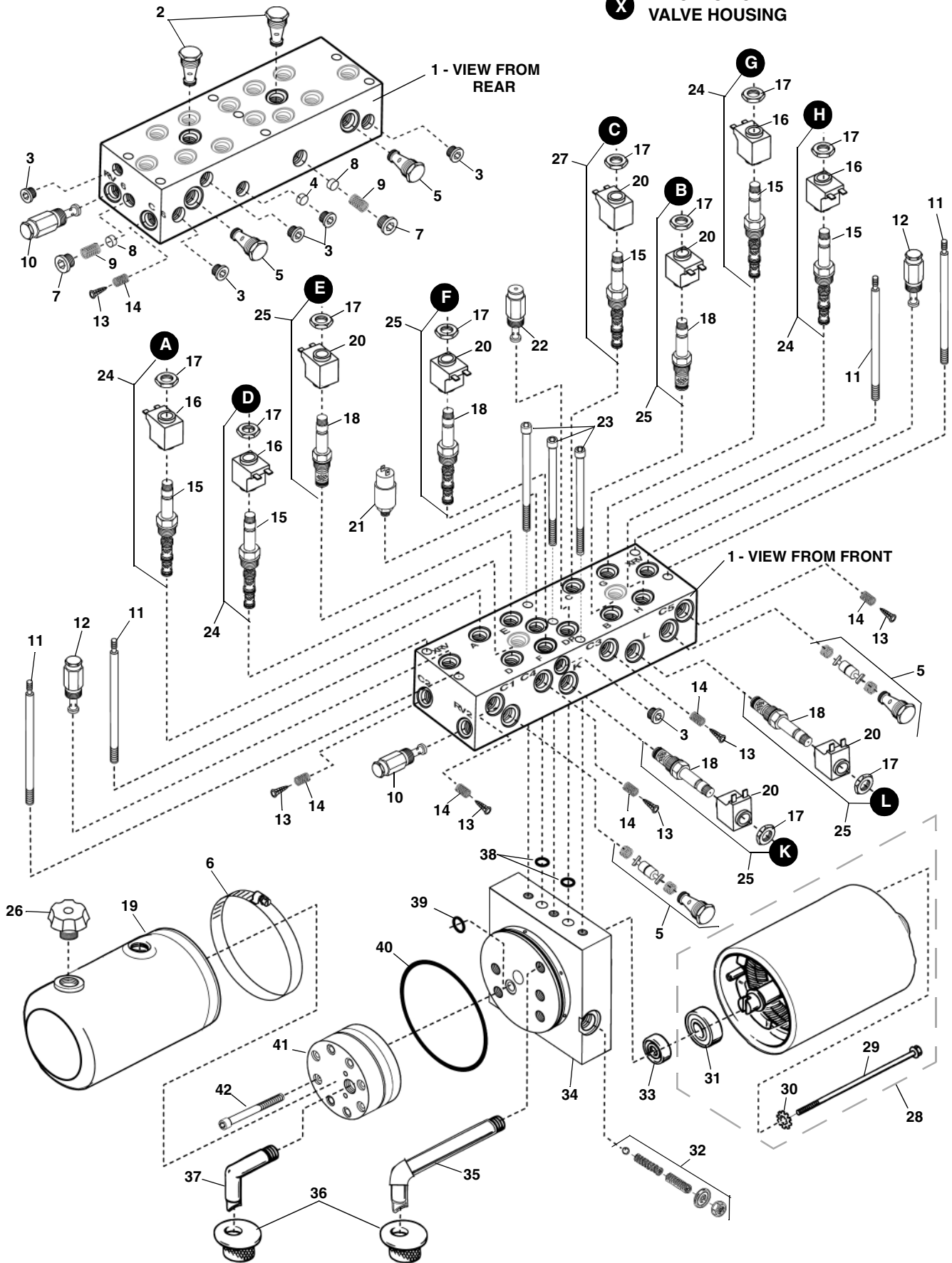
CX DENOTES PORT IN VALVE HOUSING

ITEM	PART NO.	DESCRIPTION	QTY
1	96111958	POWER UNIT, MBV	1
2	96113048	PUMP COVER, MBV	1
3	96112884	KNOB, BLIND HOLE 3P1, 1/4"-20	4
4	98100254	PW, 1/4", A NARROW	4
5	98009150	LN, 5/16"-18, NYLON INSERT	2
6	98009082	HHCS, 5/16"-18 X 2.50"	2
7	96112910	HOSE, HYDRAULIC, 68.00" (VALVE PORT #C1, C2, C5, C6)	4
8	96112919	HOSE, HYDRAULIC, 18.00" (VALVE PORT #C3 & C4)	2
9	96100000	FITTING, STRAIGHT CONNECTOR	1
10	96100001*	FITTING, ELBOW 90°	11
11	96112654	CYLINDER, LIFT, 2" X 12" STROKE	1
12	96111453	CYLINDER, SWING, DA 2" X 9-1/2", MBV	2
13	96112909	KIT, HOSE CLAMP, MBV (INCLUDES ITEMS 14 THROUGH 18)	2
14	98100114	HHCS, 5/16"-18 X 2-1/4"	1
15		CLAMP, TOP PLATE	3
16		CLAMP, PLASTIC MEDIUM	2
17		LN, 5/16"-18, NYLOCK INSERT	1
18		SELF THREADING, HHS 5/16"-18 X 2.00"	1
19	96112500	CLAMP, HYDRAULIC HOSE	2
20	98100386	HWH, 5/16" X 1-1/4" TE X 3	2

NOTE: * If wing cylinder rod-end port is vertical, use this fitting. If wing cylinder rod-end port is horizontal, use #96100000.

HYDRAULIC POWER UNIT

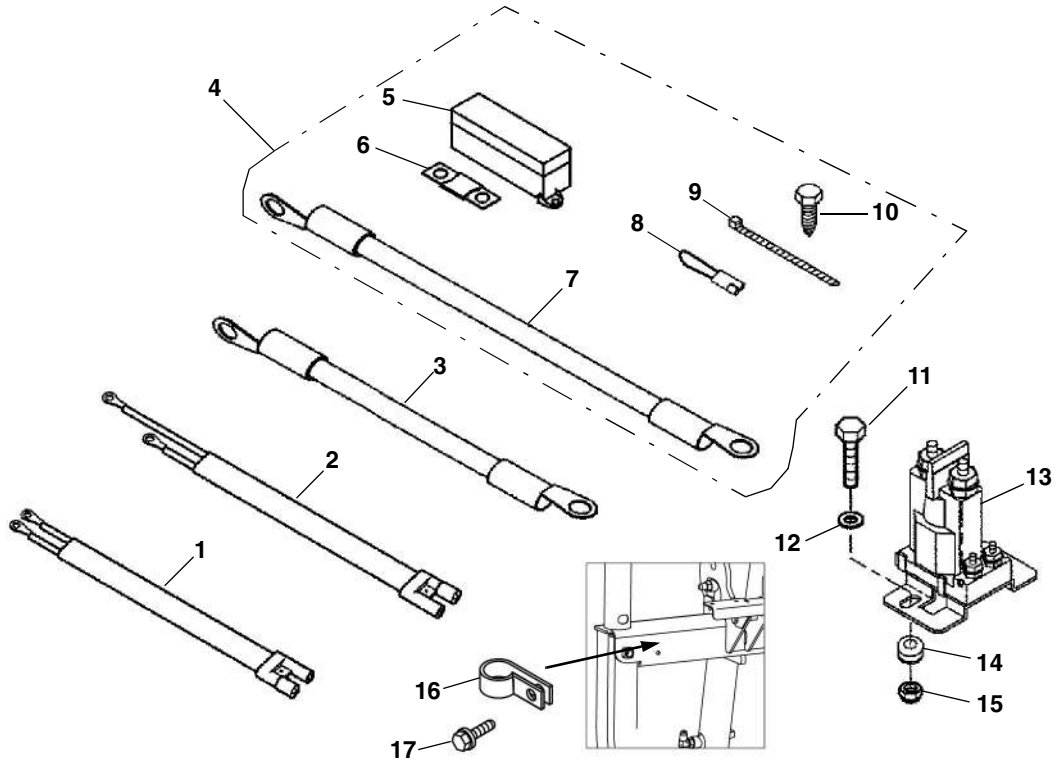
X DENOTES PORT IN VALVE HOUSING



HYDRAULIC POWER UNIT

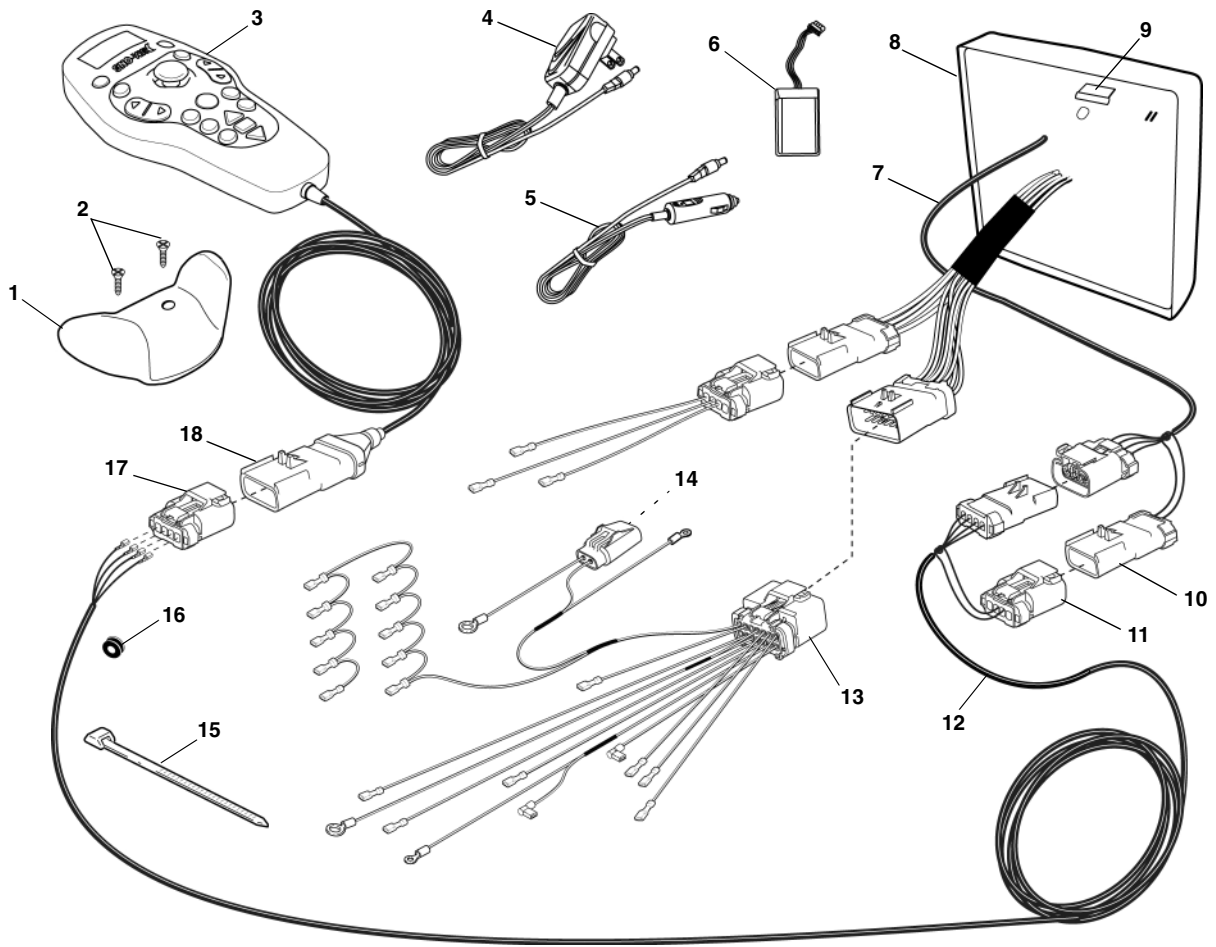
ITEM	PART NO.	DESCRIPTION	QTY
0		VALVE ASSY, V-PLOW.....	1
1		HOUSING, VALVE	1
		PLUG, EXPANDER, BALL TYPE 9 (NOT SHOWN)	15
2	96105238	VALVE, CHECK	2
3	96105234	FITTING, PLUG	6
4	96106100	PLUG, ORIFACE, #50.....	1
5	96112980	KIT, CHECK VALVE, DELTRO (INCLUDES 2 CHECK VALVES,	2
		1 PISTON ASSEMBLY AND 2 SPRINGS PER KIT)	
6	96105231	CLAMP	1
7	96105240	PLUG, SAE, O-RING, 9/16"-18	2
8	96112551	POPPET, CHECK.....	2
9		SPRING, LIGHT, CHECK VALVE	2
10	96112552	VALVE, RELIEF CART, SIZE 8.....	2
11	96112410	STUD, POWER UNIT	4
12	96112553	VALVE, RELIEF CART	2
13	96105250	FILTER, INLINE	6
14	96105251	SPRING, RETAINING	6
15	96108324	VALVE, CARTRIDGE, 3W/2P, #8, HI-FLOW	5
16	96108323	COIL, 10VDC, #8 (BLACK)	4
17	96105275	NUT, COIL, PARKER.....	10
18	96108325	VALVE, CARTRIDGE, 2W/2P, NC, POPPET	5
19	96112556	RESERVOIR, PLASTIC.....	1
20	96111171	COIL, 10VDC, #8 (BLUE).....	6
21	96101976	SWITCH, PRESSURE	1
22	96105253	VALVE, RELIEF CARTRIDGE, SIZE 8	1
23	96105237	SCREW, SOCKET HEAD 1/4"-20 X 3".....	3
24	96108341	KIT, VALVE CARTRIDGE (INCLUDES ITEMS #15, 16, 17).....	4
25	96112583	KIT, VALVE CARTRIDGE (INCLUDES ITEMS #17, 18, 20).....	5
26	96105244	PLUG, BREATHER	1
27	96112584	KIT, VALVE CARTRIDGE (INCLUDES ITEMS #15, 17, 20).....	1
28	96105233	MOTOR, 12 VDC 4.5".....	1
29		FHCS	2
30		WASHER, EXTERNAL TOOTH	2
31		BEARING, MOTOR BASE.....	1
32	96105313	KIT, RELIEF VALVE	1
33	96105317	SEAL, SHAFT	1
34		BASE ASSEMBLY, PUMP MB.....	1
35	96112558	PIPE ASSY, RETURN LINE MB	1
36	96105245	16.32 FILTER.....	2
37	96105737	TUBE, SUCTION, 90°, 3/8" NPT	1
38	96105314	O-RING (5/8" X 3/4" X 1/16").....	2
39	96105316	O-RING (1/2" X 5/8" X 1/16").....	1
40	96105315	O-RING (3-5/8" X 3-7/8" X 1/8")	1
41	96105735	PUMP ASSEMBLY	1
42		SHCS	4

POWER PACK WIRING



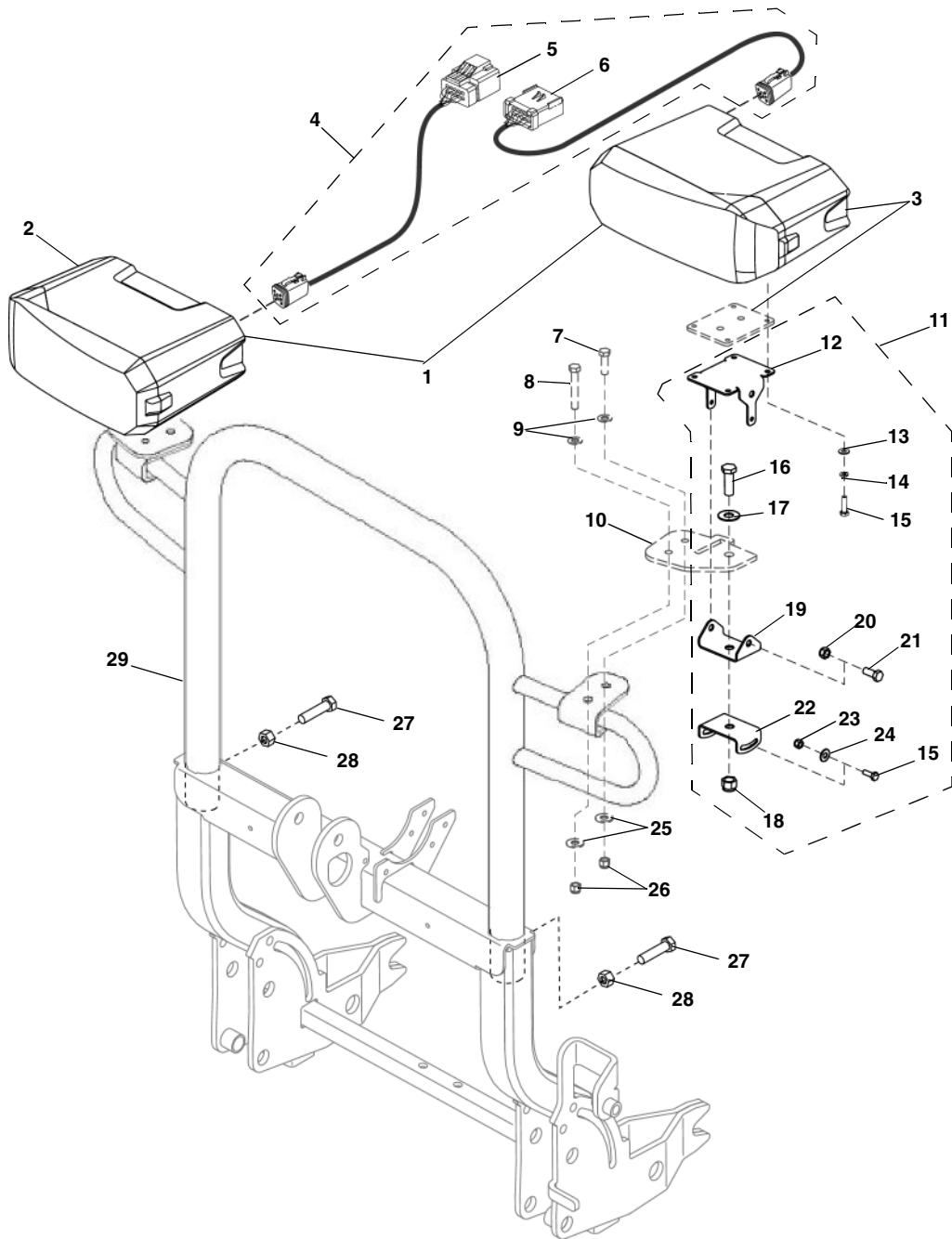
ITEM	PART NO.	DESCRIPTION	QTY
1	96104221	HARNESS, BATTERY POWER.....	1
2	96112411	HARNESS, PLOW POWER, MB	1
3	96105273	HARNESS, SOLENOID	1
4	96105167	BAG, POWER HARNESS PARTS	1
5	96109143	FUSE HOLDER.....	1
6	96109142	FUSE, 250 AMP	1
7	96102891	CABLE, POWER.....	2
8	96105082	CAP, PROTECTIVE	2
9	96001227	STRAP, TIE PLASTIC	2
10	98100037	SCREW, SELF TAPPING, #10-16 x 1".....	4
11	98009027	HHCS, 1/4"-20 x 1"	2
12	98100254	WASHER, FLAT, 1/4"	2
13	96002086	SWITCH, SOLENOID	1
14	96105282	GROMMET, 3/8" ID.....	2
15	98100255	NUT, HEX HEAD NYLOCK, 1/4"-20.....	2
16	96101891	CLAMP, TUBE, VINYL COATED.....	1
17	98100386	HWH 5/16" X 1-1/4" TE X 3.....	1

PROCONTROL SYSTEM WIRING



ITEM	PART NO.	DESCRIPTION	QTY
1		CLIP, DASH MOUNT	1
2		SCREW	2
3	96112246	TRANSMITTER, WIRED	1
	96112244	TRANSMITTER< WIRELESS	1
4	96113316	WALL CHARGER, PROCONTROL, 120VAC.....	1
5	96112376	CAR CHARGER, PROCONTROL, 12VDC	1
6	96112258	BATTERY, WIRELESS	1
7	96112931	KIT, MODULE HARNESS REPAIR, PROCONTROL WIRED (NOT SHOWN)	1
8	96113175	MODULE, RECEIVER, WIRED, UNIVERSAL.....	1
	96112260	MODULE, RECEIVER, WIRELESS, UNIVERSAL	1
9		CAP, SILICONE	1
10	96112872	CAP, STORAGE, MALE.....	1
11	96112871	CAP, STORAGE, FEMALE	1
12	96112913	HARNESS, VEHICLE	1
13	96112192	HARNESS, CONTROL, SOLENOID, MBV, DP	1
14	96112497	FUSE, 20 AMP (NOT SHOWN - IN HOLDER).....	1
15		STRAP, PLASTIC TIE.....	5
16	96112419	RUBBER GROMMET	1
17	96112300	CONNECTOR, FEMALE 4 WAY APEX.....	4
	96108662	TERMINAL, FEMALE, 18/20 AWG (NOT SHOWN)	1
18	96112301	CONNECTOR, MALE 4 WAY APEX	4
	96108661	TERMINAL, MALE, 18/22 AWG (NOT SHOWN)	1

AUXILIARY LIGHTING



AUXILIARY LIGHTING

ITEM	PART NO.	DESCRIPTION	QTY
1	96113241	KIT, LIGHT, EIS DUAL COMPOSITE (INCLUDES ITEM #2, 3 & 11).....	1
2	96113243	ASSY, LIGHT, EIS, PS	1
3	96113242	ASSY, LIGHT, EIS, DS	1
4	96110260	KIT, HARNESS, PLOW LIGHT, EIS	1
5	96108117	CONNECTOR, FEMALE.....	1
6	96108116	CONNECTOR, MALE	1
7	98009034	HHCS, 3/8"-16 X 1-1/4".....	2
8	98009134	HHCS, 3/8"-16 X 2-1/2".....	2
9	98009032	PW, 3/8", A NARROW.....	4
10	96113174	PLATE, ADAPTER, LIGHT MEGA	2
11	96114348	KIT, LIGHT MOUNT (INCLUDES #12 - 24)	2
12		BRACKET, LIGHT MOUNT, MEGABLADE	1
13		FLAT WASHER, 1/4", STAINLESS STEEL	4
14		LOCK WASHER, 1/4", STAINLESS STEEL.....	4
15		CAPSCREW, HEX HEAD, 1/4"-20 x 1", STAINLESS STEEL.....	6
16		CAPSCREW, HEX HEAD, 1/2"-13 x 1-1/4", STAINLESS STEEL.....	1
17		FLAT WASHER, 1-1/4" OD, 17/16" ID, 5/8" THICK, STAINLESS STEEL	1
18		LOCKNUT, 1/2"-13, NYLON INSERT	1
19		BRACKET, LIGHT BAR.....	1
20		LOCKNUT, 3/8"-16, NYLON INSERT, STAINLESS STEEL.....	2
21		CAPSCREW, HEX HEAD, 3/8"-16 x 7/8", STAINLESS STEEL.....	2
22		BRACKET, LOCK.....	1
23		LOCKNUT, 1/4"-20, NYLON INSERT, STAINLESS STEEL	2
24		FLAT WASHER, 1/4", STAINLESS STEEL.....	2
25	98100483	PW, 3/8" TYPE A, WIDE	4
26	98009009	LN, 3/8"-16, NYLON INSERT.....	4
27	98100472	HHCS, 1/2"-13 X 3-1/2", FULL THREAD	2
28	98100172	HN, 1/2"-13, JAM	2
29	96112902	WELDMENT, ULB	1

NUMERICAL INDEX

PART NO.	PAGE	ITEM	PART NO.	PAGE	ITEM	PART NO.	PAGE	ITEM
96001227	11	9	96112192	12	13	96113319	5	13
96002086	11	13	96112220	4	1	96113364	5	10
96100000	4	19	96112244	12	3	96113365	5	9
	8	9	96112246	12	3	96114273	4	28
96100001	4	20	96112258	12	6	96114348	14	11
	8	10	96112260	12	8	98009001	5	8
96101465	6	14	96112300	12	17	98009003	5	7
96101891	11	16	96112301	12	18	98009009	14	26
96101976	10	21	96112330	6	9	98009013	4	11
96102891	11	7	96112352	5	1		5	5
96104221	11	1	96112376	12	5		6	12
96105082	11	8	96112410	10	11	98009023	4	4
96105167	11	4	96112411	11	2	98009024	4	3
96105231	10	6	96112417	6	24	98009027	11	11
96105233	10	28	96112419	12	16	98009032	14	9
96105234	10	3	96112497	12	14	98009034	14	7
96105237	10	23	96112500	8	19	98009038	4	26
96105238	10	2	96112551	10	8		6	1
96105240	10	7	96112552	10	10	98009039	4	34
96105244	10	26	96112553	10	12	98009043	6	11
96105245	10	36	96112556	10	19	98009053	4	27
96105250	10	13	96112558	10	35		6	15
96105251	10	14	96112583	10	25	98009069	6	2
96105253	10	22	96112584	10	27	98009078	4	10
96105273	11	3	96112603	6	26	98009082	6	29
96105275	10	17	96112604	6	25		8	6
96105282	11	14	96112654	4	22	98009085	4	21
96105313	10	32		8	11	98009134	14	8
96105314	10	38	96112714	7		98009149	4	2
96105315	10	40	96112733	4	24	98009150	4	5
96105316	10	39	96112795	6	28		6	30
96105317	10	33	96112871	12	11		8	5
96105735	10	41	96112872	12	10	98009259	6	18
96105737	10	37	96112884	8	3	98100007	4	23
96106100	10	4	96112891	4	13	98100010	4	8
96108116	14	6	96112894	4	17	98100037	11	10
96108117	14	5	96112902	14	29	98100040	4	32
96108323	10	16	96112908	4	16	98100095	6	20
96108324	10	15	96112909	8	13	98100114	8	14
96108325	10	18	96112910	8	7	98100172	14	28
96108341	10	24	96112913	12	12	98100254	8	4
96108661	12	18	96112919	8	8		11	12
96108662	12	17	96112931	12	7	98100255	6	6
96109142	11	6	96112980	10	5		11	15
96109143	11	5	96113044	4	25	98100266	6	7
96110260	14	4	96113048	8	2	98100337	6	22
96111065	4	15	96113119	6	32	98100386	8	20
96111171	10	20	96113174	14	10		11	17
96111245	6	4	96113175	12	8	98100439	6	3
96111453	4	31	96113241	14	1	98100441	4	18
	8	12	96113242	14	3	98100447	6	27
96111463	6	23	96113243	14	2	98100448	6	13
96111951	4	6	96113316	12	4	98100450	6	17
96111958	8	1	96113318	5	12	98100451	6	16

NUMERICAL INDEX

PART NO.	PAGE	ITEM
98100455	4	7
98100457	4	12
98100469	4	30
98100472	14	27
98100473	4	33
98100474	4	29
98100481	5	4
98100482	5	6
98100483	14	25
99100980	5	2

PART NO.	PAGE	ITEM
----------	------	------

PART NO.	PAGE	ITEM
----------	------	------

NOTES

NOTES

SNO-WAY[®] INTERNATIONAL, INC.

SNO-WAY[®]
SNOW & ICE CONTROL EQUIPMENT

Hartford, WI 53027 USA
Website: www.snoway.com
©2012 Sno-Way[®] International