

SNO-WAY®

SNOW & ICE CONTROL EQUIPMENT

SERVICE PARTS MANUAL

MEGABLADE™ REVOLUTION™ SERIES SNOW PLOW

WITH SERIAL NUMBERS AFTER
MBR200000

Sno-Way®, Down Pressure® and EIS® are registered trademarks of Sno-Way International, Inc.
ProControl™, MegaBlade™, V-Wing™, E-Z Switch™, Revolution™, MaxAdjust™, SpeedLock™, and QuickJack™
are trademarks of Sno-Way International, Inc.

©2014 Sno-Way® International

97101601C

TABLE OF CONTENTS

	Page
PARTS LIST INTRODUCTION	2
USING THIS PARTS LIST	2
PART DESCRIPTION ABBREVIATIONS	2
BLADE	3
A-FRAME/SPRINGS	4
WING FOLD MECHANISM	5
LOWER LIGHT BAR ASSEMBLY (LLLB)	6
QUICKJACK™ STAND	7
HYDRAULIC SYSTEM	8
HYDRAULIC POWER UNIT	9
PROCONTROL™ SYSTEM WIRING After S.N. MBR200000	11
POWER PACK WIRING.....	12
AUXILIARY LIGHTING	13
NUMERICAL INDEX	15

PARTS LIST INTRODUCTION

Our dealership network stands by to provide you with any assistance you may require, including genuine Sno-Way service parts. All parts should be obtained from or ordered through your dealer. Give complete information about the part(s) at time of order, and include the Model and applicable Serial Numbers of your machine.

NOTE: The Model and all Serial number information should be recorded on page two of your Installation and Owner's Manual for ease of reference. The location of these numbers on the machine is detailed in the manual as well.

"Right" and "Left" are determined from a position sitting on the Operators seat of the vehicle.

We reserve the right to make changes or improvements in the design or construction of any part without incurring the

USING THIS PARTS LIST

A sample parts listing is shown below:

- The "**ITEM**" in column one is the number used in the corresponding illustration.
- The "**PART NO.**" in column two is the number used to order replacement parts. If a number does not appear in the column the part is only available by ordering the complete assembly.
- The "**DESCRIPTION**" in column three is the name of the replacement part. At times the name may be indented, this means that the indented parts are part of the preceding assembly.
- The "**QTY.**" in column four is the quantity needed to service the assembly illustrated, not the complete product.

ITEM	PART NO.	DESCRIPTION	QTY.
1	96100083	O-ring	1
2	96001529	Elbow	3
3	98100036	Capscrew, Hex.,3/8"-16NC x 7/8"	9

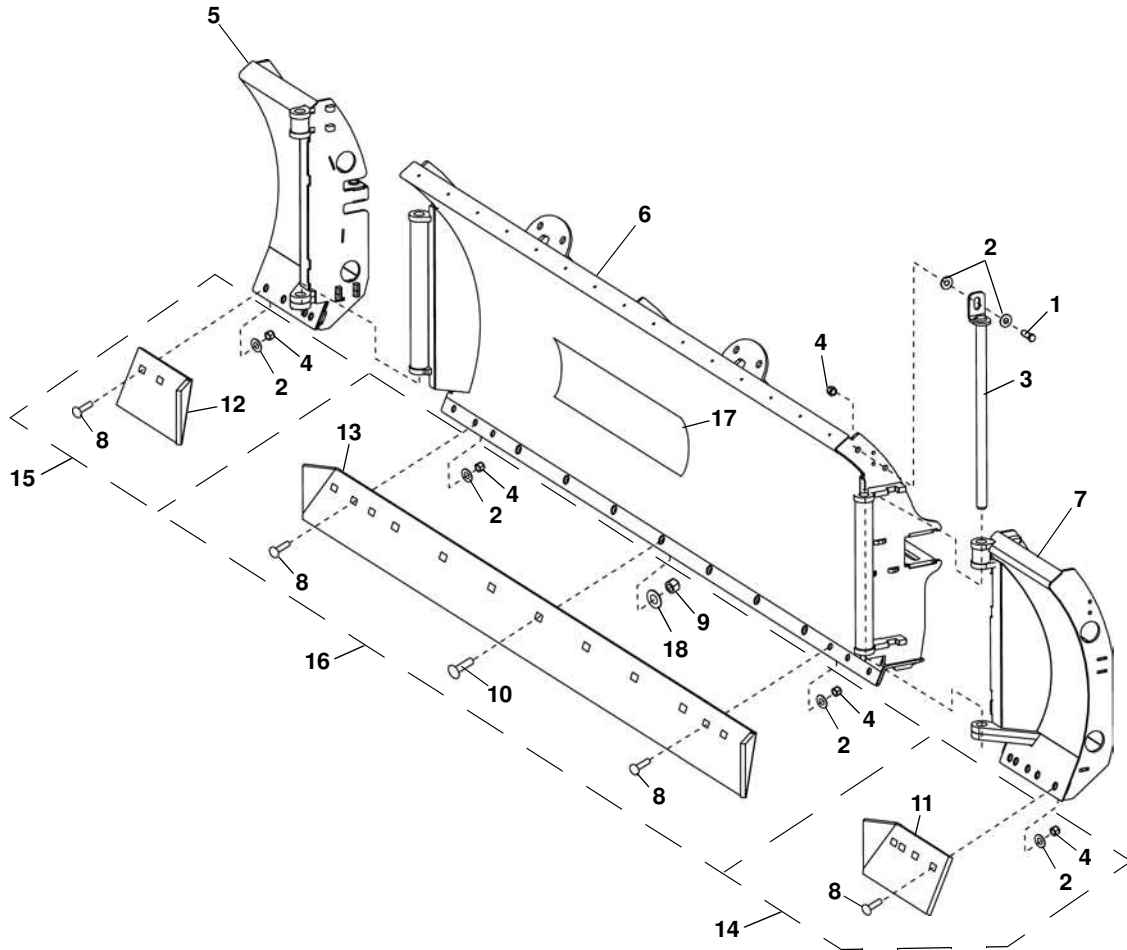
PART DESCRIPTION ABBREVIATIONS

Our Part Descriptions use common industry standard abbreviations in the naming conventions for many individual items. The list below details the abbreviations commonly used throughout this manual. If a specific abbreviation is not listed, contact any Sno-Way Dealer for clarification.

ABBREV.	DESCRIPTION
BRKT	BRACKET
CB	CARRIAGE BOLT
CLP	CLEVIS PIN
COTP	COTTER PIN
DP	DOWN PRESSURE
DS	DRIVER SIDE
EB	EYE BOLT
GR	GRADE
HDWE	HARDWARE
HHCS	HEX HEAD CAP SCREW
HN	HEX NUT
HNILN	HEX NYLON INSERT LOCKNUT

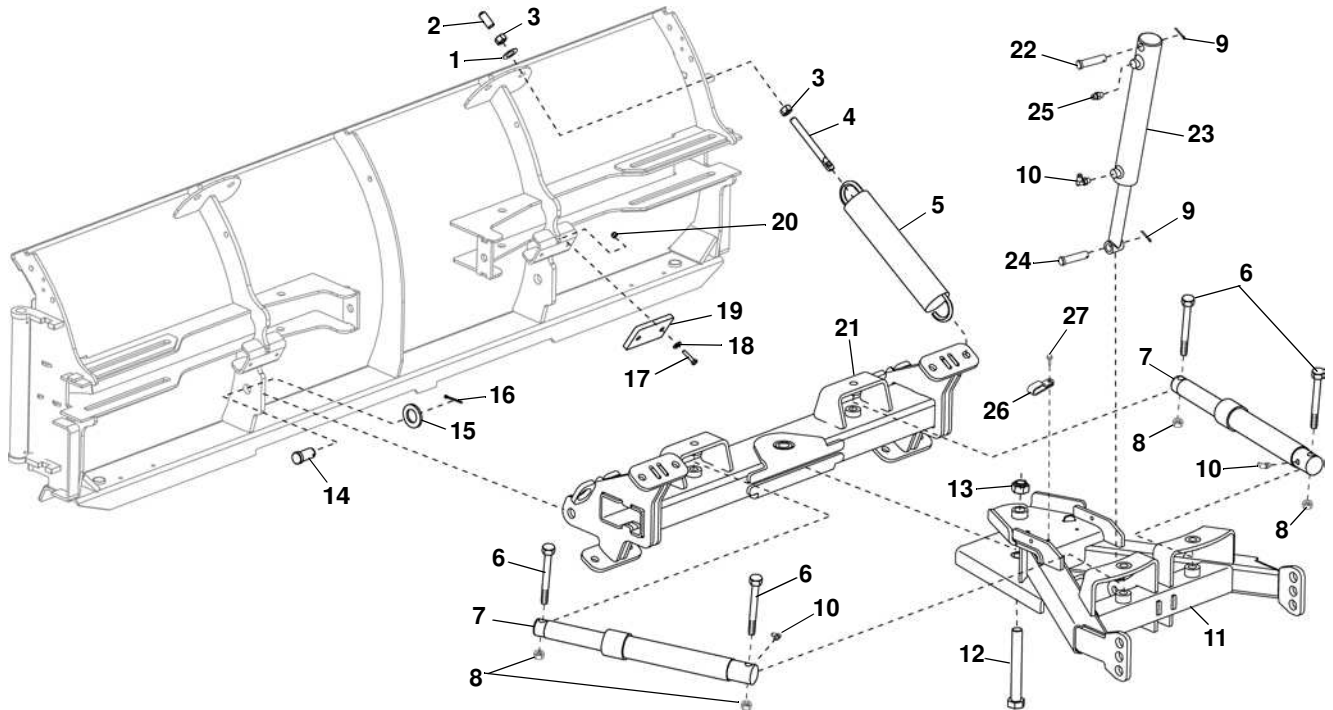
ABBREV.	DESCRIPTION
HW	HARD WIRED
HWH	HEX WASHER HEAD
LN	LOCK NUT
LW	HELICAL LOCK WASHER
PS	PASSENGER SIDE
PW	PLAIN FLAT WASHER
SHCS	SOCKET HEAD CAP SCREW
SLT	SLOTTED
SS	STAINLESS STEEL
ST	SELF-THREADING
UB	U-BOLT
WL	WIRELESS

BLADE



ITEM	PART NO.	DESCRIPTION	QTY
1	98009010	HHCS, 1/2"-13 X 1-1/2".....	2
2	98100176	PW, 1/2".....	18
3	96110344	WELDMENT, PIN, MBR.....	2
4	98009013	LN, 1/2"-13, NYLON INSERT.....	16
5	96112838	WELDMENT, WING, MBR, PS.....	1
6		WELDMENT, MAIN BLADE, MBR, 96".....	1
7	96112839	WELDMENT, WING, MBR, DS.....	1
8	98009099	CB, 1/2"-13 X 2".....	14
9	98009003	LN, 3/4"-10, NYLON INSERT.....	7
10	98100470	CB, 3/4"-10 X 2-1/2".....	7
11		WEARSTRIP, MBR, DS.....	1
12		WEARSTRIP, MBR, PS.....	1
13		WEARSTRIP, STEEL, MAIN, MBR.....	1
14	96113326	KIT, WEARSTRIP, MBR, DS (INCLUDES ITEMS #2, 4 & 8).....	1
15	96113327	KIT, WEARSTRIP, MBR, PS (INCLUDES ITEMS #2, 4 & 8).....	1
16	96114426	KIT, WEARSTRIP, MBR, MAIN (INCLUDES ITEMS #2, 4, 8, 9, 10 & 18).....	1
17	97101524	DECAL, MEGA BLADE.....	1
18	98009030	PW, 3/4".....	7

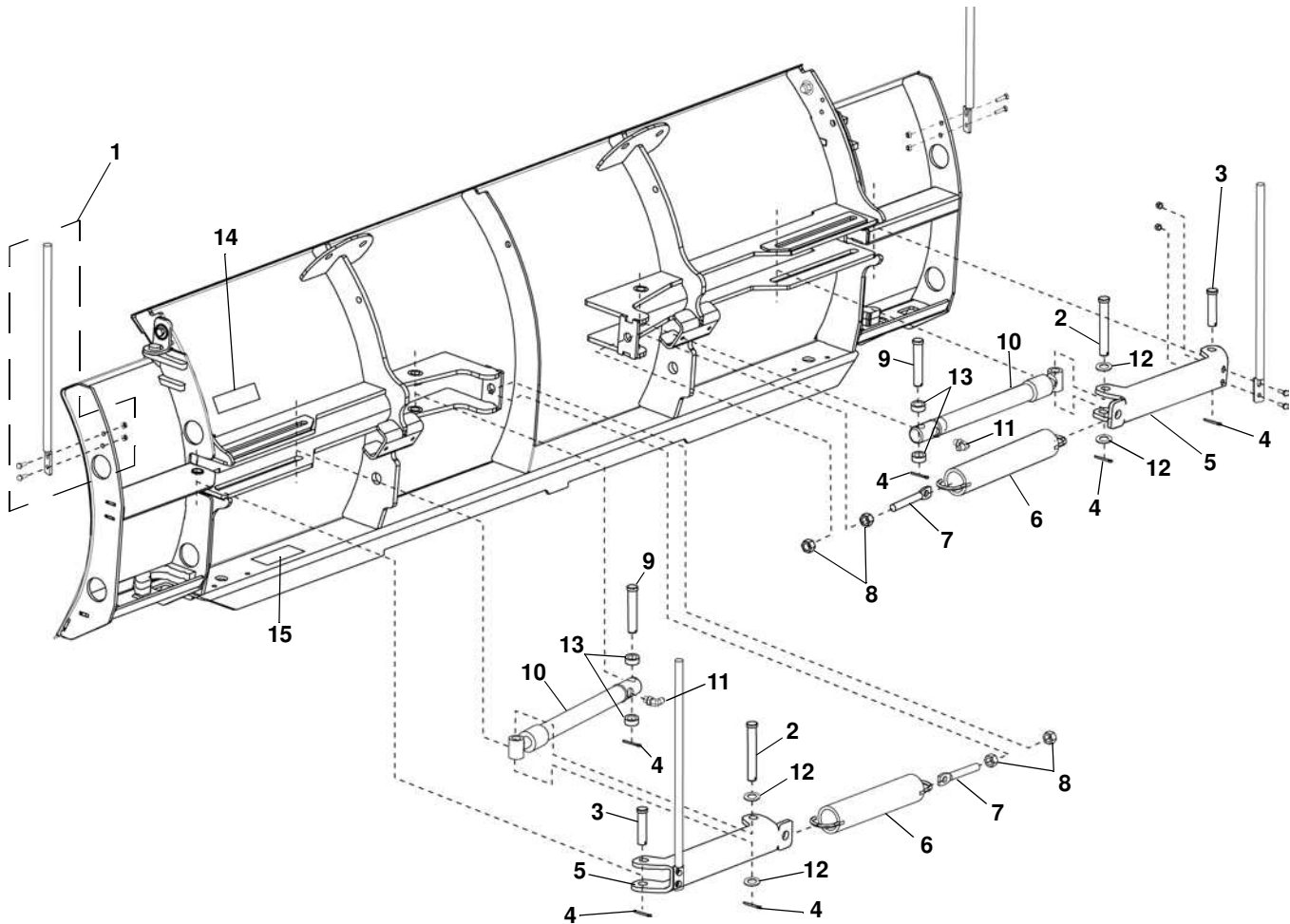
A-FRAME/SPRINGS



ITEM	PART NO.	DESCRIPTION	QTY
1	98009039	PW, 5/8", TYPE B	4
2	96112336	PROTECTIVE CAP, EYE BOLT	4
3	98009078	HN, 5/8"-11	8
4	98009037	EB, 5/8"-11 X 6.0"	4
5	96001392	SPRING, TRIP	4
6	98100468	HHCS, 3/4"-10 X 8.....	4
7	96112185	CYLINDER, SWING, 1-3/4" X 11", MBR	2
8	98009003	LN, 3/4"-10, NYLON INSERT	4
9	98009085	COTP, 5/32" X 1-1/2"	2
10	96100001	FITTING, ELBOW 90°	3
11	96113052	A-FRAME, MBR.....	1
12	98100006	HHCS, 1"-14 X 7-1/2"	1
13	98100294	HLN, 1"-14	1
14	98100433	CLP, 1" X 2"	2
15	98009005	PW, 1", A NARROW	2
16	98100452	COTP, 5/32" X 1-3/4"	2
17	98009023	HHCS, 5/16"-18 X 1.5"	4
18	98009230	PW, 5/16", W WIDE	4
19	96112439	KIT, STOP BLADE (INCLUDES ITEMS #18, 19, 20, 21).....	2
20	98009150	LN, 5/16-18, NYLON INSERT.....	4
21	96110192	WELDMENT, SWING FRAME, MBC & MBR	1
22	98100441	CLP, 3/4" X 5"	1
23	96112654	CYLINDER, LIFT, 2" X 12" STROKE.....	1
24	98100040	PIN, CLEVIS	1
25	96100000	FITTING, STRAIGHT CONNECTOR.....	1
26	96113011	CLAMP, HYDRAULIC HOSE	2
27	98100386	HWH, 5/16" X 1-1/4" TE X 3	2

NOTE: * Not Available as a Service Part.

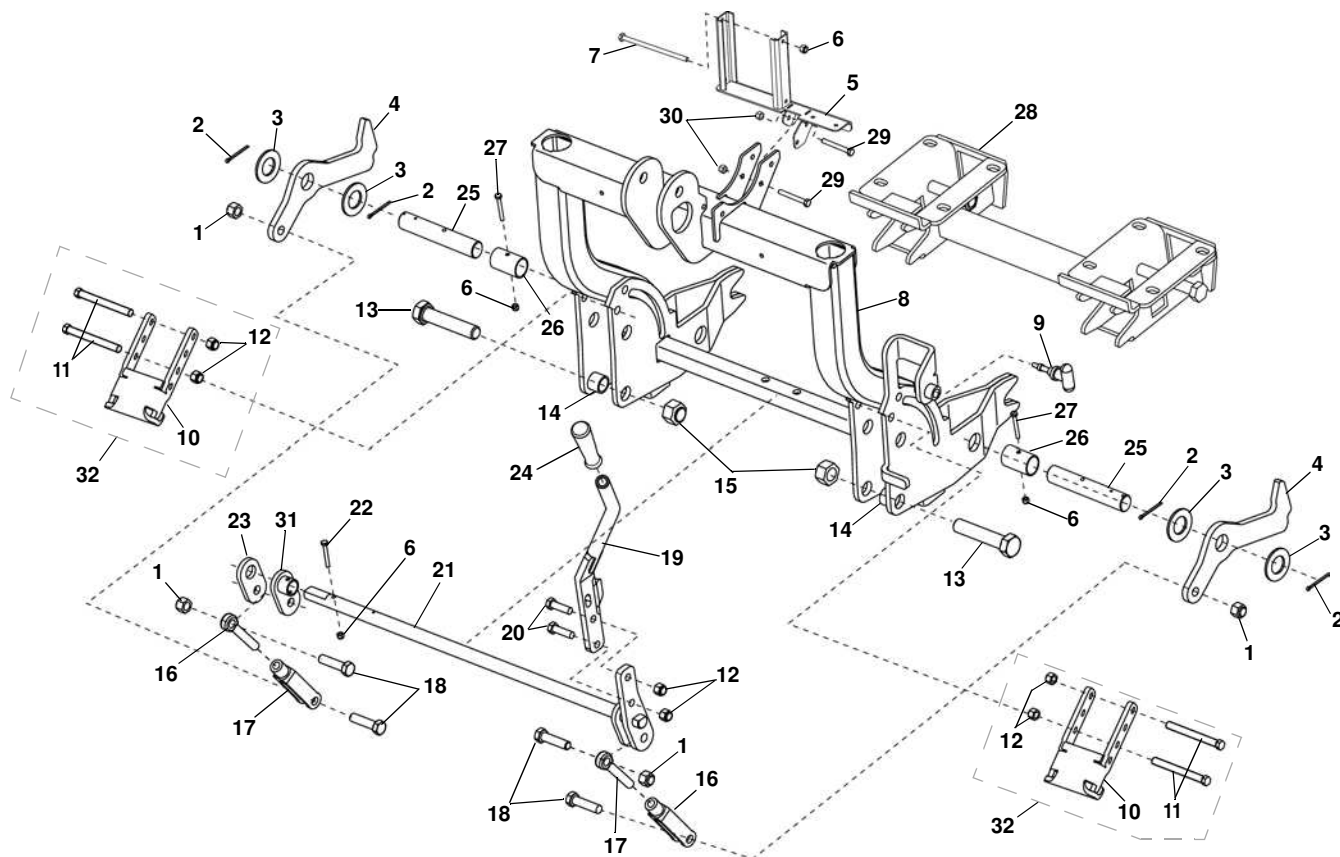
WING FOLD MECHANISM



ITEM	PART NO.	DESCRIPTION	QTY
1	96112352	KIT, BLADE GUIDE-YELLOW.....	4
		HHCS, 5/16"-18 X1" SS (INCLUDED WITH ITEM #1).....	2
		LN, 5/16"-18, SS (INCLUDED WITH ITEM #1).....	2
2	98100441	CLP, 3/4" X 5".....	2
3	98100040	CLP, 3/4" X 3".....	2
4	98009085	COPT, 5/32" X 1-1/2".....	6
5	96111591	LINK, CYLINDER.....	2
6	96110881	SPRING RETURN WING, MBR.....	2
7	98009037	EB., 5/8"-11 X 4-1/2".....	2
8	98009078	HN, 5/8"-11.....	4
9	98100290	CLP, 3/4" X 6".....	2
10	96112070	CYLINDER, WING, 1" X 11-7/8", MBR.....	2
11	96100001	FITTING, ELBOW 90°.....	2
12	98009030	PW, 3/4", A NARROW.....	4
13	96112982	SPACER, CYLINDER.....	4
14	97100876	DECAL, PINCH POINT.....	2
15	97100018	DECAL, WARNING.....	2

NOTE: * Not Available as a Service Part.

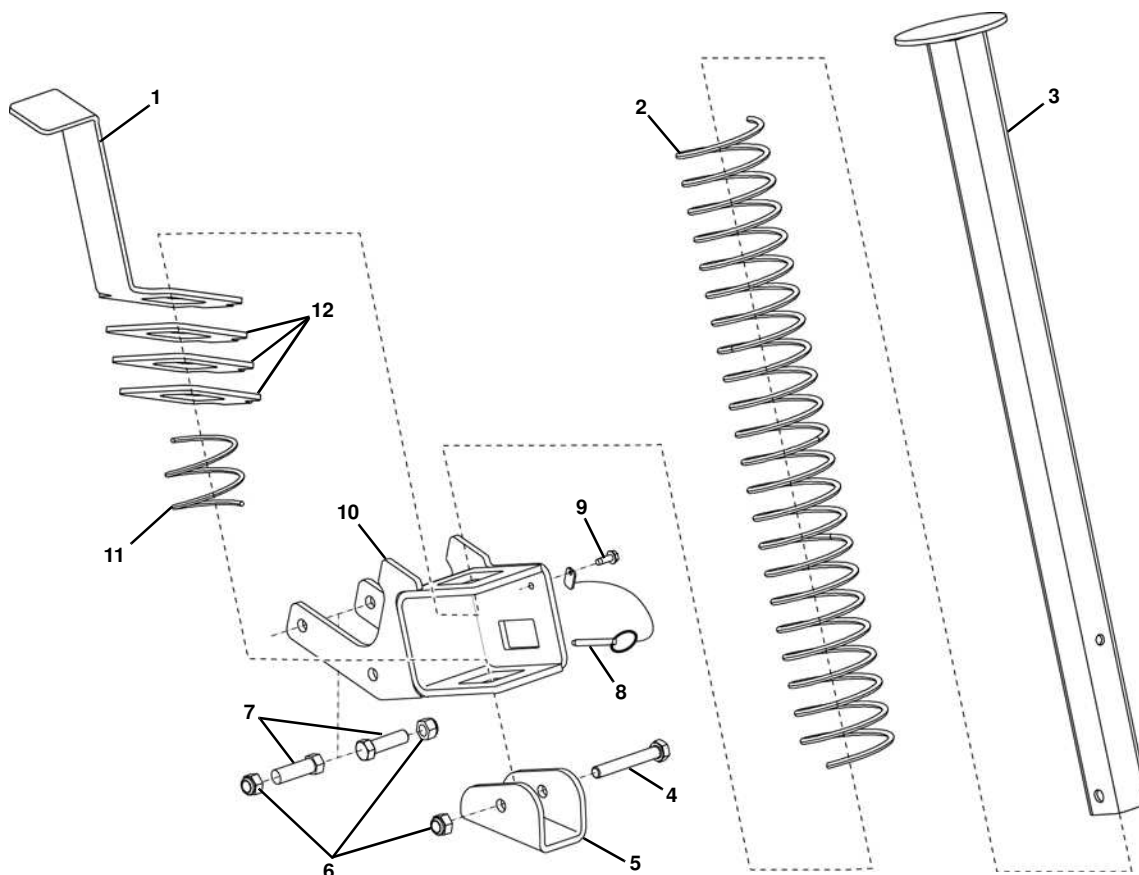
LOWER LIGHT BAR ASSEMBLY (LLB)



ITEM	PART NO.	DESCRIPTION	QTY
1	98009038	LN, 5/8"-11, NYLON INSERT	4
2	98009069	COPT, 5/32" X 2"	4
3	98100439	PW, 1-1/4" A NARROW	4
4	96111245	LATCH	2
5	96112748*	WELDMENT, MB RECEIVER	1
6	98100255	LN, 1/4"-20, NYLON INSERT	4
7	98100266	HHCS, 1/4" X 6"	1
8	96113047*	LLB	1
9	96112330	PIN, SPRING SECTION	1
10	96113061*	STOP, LIFT (MBC/MBR/MBV)(SEE ITEM 32 FOR SERVICE PART KIT	2
11	98009043	HHCS, 1/2"-13 X 5"	4
12	98009013	LN, 1/2"-13, NYLON INSERT	6
13	98100448	HHCS, 1"-8 X 5"	2
14	96101465	TUBE, SPACER	2
15	98009053	HNILN, 1"-8	2
16	98100451	TAPPED YOKE	2
17	98100450	ROD END- PARTIALLY THREADED	2
18	98009259	HHCS, 5/8"-11 X 2.50"	4
19	96112307*	WELDMENT, HANDLE UPPER	1
20	98100095	HHCS, 1/2"-13 X 1-3/4"	2
21	96111458*	WELDMENT, ATTACH MECHANISM	1
22	98100337	HHCS, 1/4"-20 x 1-3/4"	1
23	96111463	CAM, ATTACH MECH.	1
24	96112417	HANDLE, HOOK-UP	2
25	96112604	PIN, LATCH PIVOT	2
26	96112603	TUBE, SPACER, LATCH PIVOT	2
27	98100447	HHCS, 1/4"-20 X 2"	2
28	96112795	VRM (VEHICLE RECEIVER MOUNT)	1
29	98009082	HHCS, 5/16"-18 X 2-1/2"	2
30	98009150	LN, 5/16"-18, NYLON INSERT	2
31	96112887*	WELDMENT CAM, ATTACH MECH.	1
32	96113119	KIT, STOP, LIFT MEGABLADE (INCLUDES ITEM 10, QTY 2 AND ITEMS 11-12, QTY 4 EACH)	1

NOTE: * Not Available as a Service Part.

QUICKJACK™ STAND

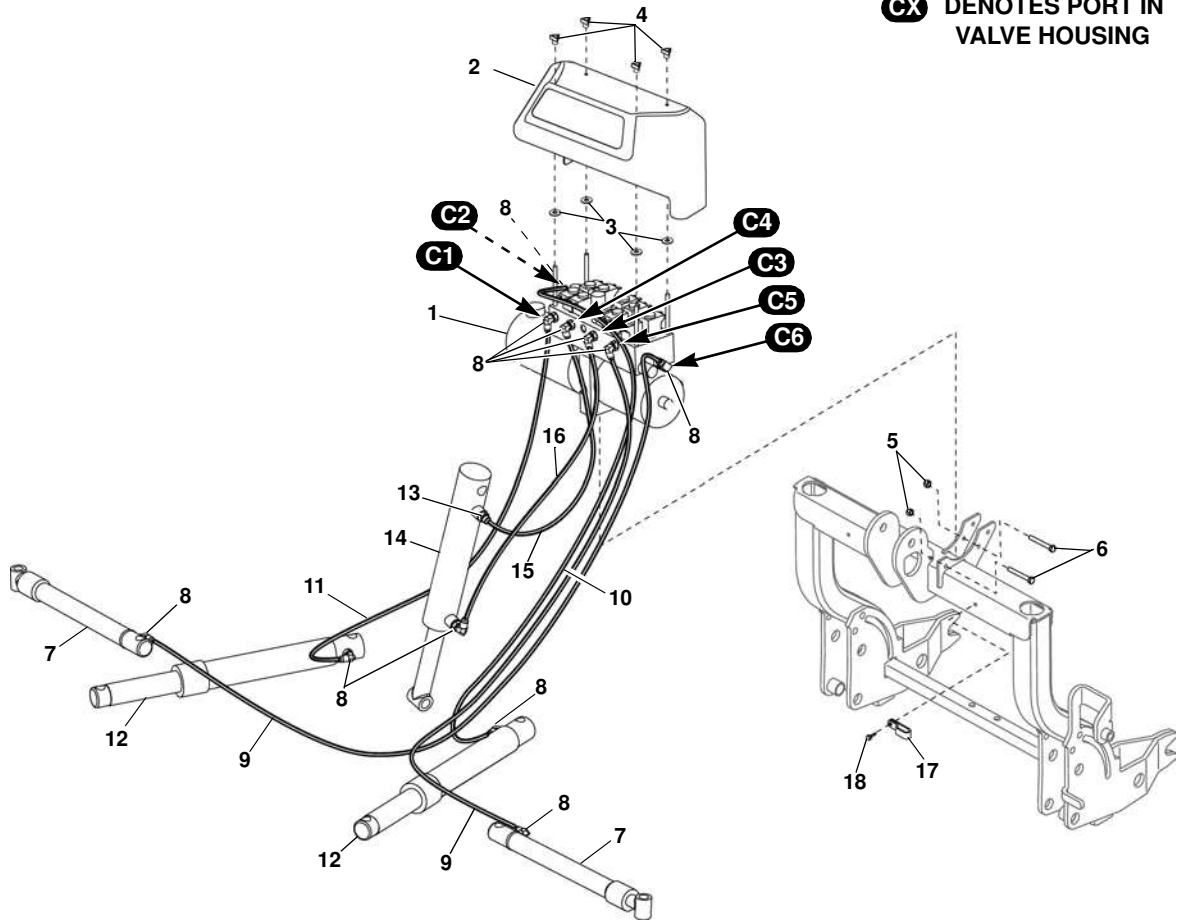


ITEM	PART NO.	DESCRIPTION	QTY
	96112869	QUICKJACK™ STAND KIT (INCLUDES ITEMS #1-6, 8-12)	1
1	96112745*	BRACKET, RACHET PLATE W/HANDLE	1
2	96112774*	SPRING, JACKSTAND	1
3	96112868*	WELDMENT, TUBE, JACK	1
4	98100264*	HHCS, 5/16"-18 X 2-1/4"	1
5	96112854*	BRACKET, JACKSTAND FOOT	1
6	98009150*	LN, 5/16"-18, NYLON INSERT	5
7	98019176*	HWHST, 5/16"-18 X 1"	4
8	98100462*	PIN, 1/4"-20, LAYNARD	1
9	98100464*	HEX WASHER HEX SCREW, #8 X 1/2"	1
10	96112757*	WELDMENT, JACKSTAND HOLDER	1
11	96112013*	SPRING, JACKSTAND	1
12	96112746*	BRACKET, RACHET PLATE	3

NOTE: * Not Available as a Service Part.

HYDRAULIC SYSTEM

CX DENOTES PORT IN VALVE HOUSING

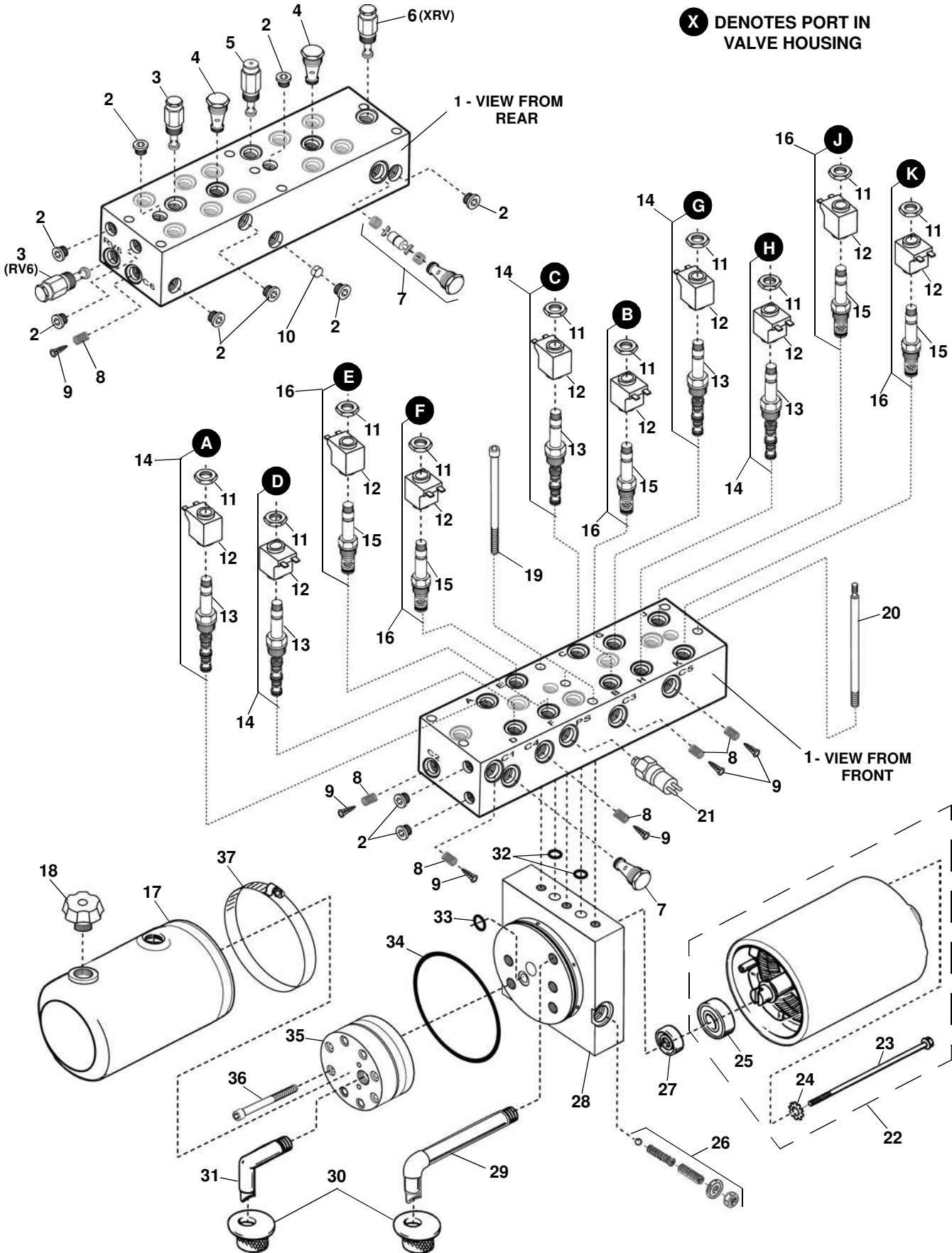


ITEM	PART NO.	DESCRIPTION	QTY
1	96111957	POWER UNIT, MBR	1
2	96113053	PUMP COVER, MBR.....	1
3	98100254	PW, 1/4", A NARROW	4
4	96112884	KNOB, BLIND HOLE 3P1, 1/4"-20	4
5	98009150	LN, 5/16"-18, NYLON INSERT	2
6	98009082	HHCS, 5/16"-18 X 2.50"	2
7	96112070	CYLINDER, WING, 1" X 11-7/8", MBR	2
8	96100001	FITTING, ELBOW 90°.....	11
9	96112321	HOSE, HYDRAULIC 70.00" (VALVE PORT #C5 & C6).....	2
10	96112920	HOSE, HYDRAULIC 40.00" (VALVE PORT #C2).....	1
11	96112921	HOSE, HYDRAULIC 36.00" (VALVE PORT #C1).....	1
12	96112185	CYLINDER, SWING, 1-3/4" X 11", MBR	2
13	96100000	FITTING, STRAIGHT CONNECTOR.....	1
14	96112654	CYLINDER, LIFT, 2" X 12" STROKE (REBUILD KIT NOT AVAILABLE).....	1
15	96112924	HOSE, HYDRAULIC, 14.00" (VALVE PORT #C4).....	1
16	96112923	HOSE, HYDRAULIC, 20.00" (VALVE PORT #C3).....	1
17	96112500	CLAMP, HYDRAULIC HOSE	1
18	98100386	HWH, 5/16" X 1-1/4" TE X 3	1

NOTE: * Not Available as a Service Part.

HYDRAULIC POWER UNIT

X DENOTES PORT IN VALVE HOUSING



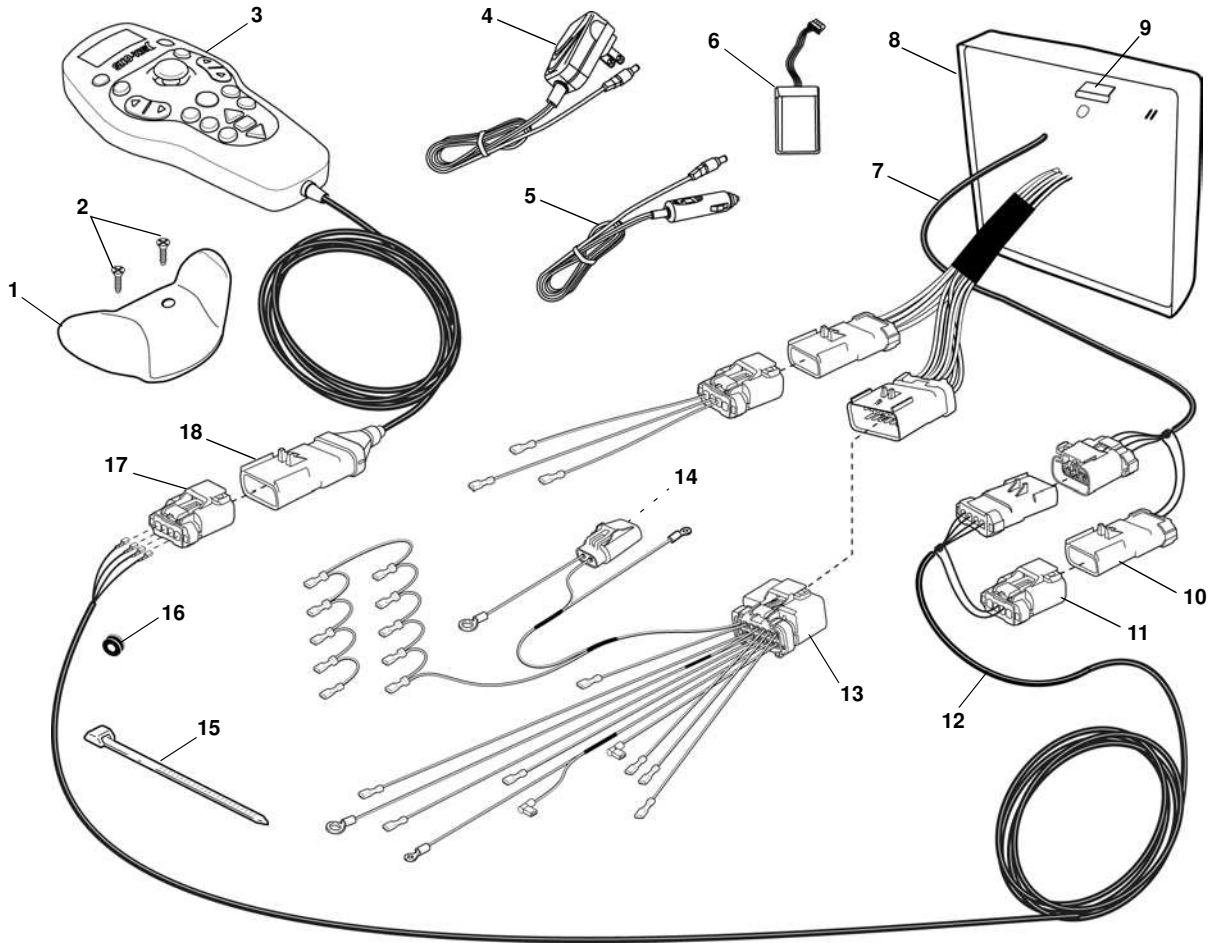
HYDRAULIC POWER UNIT

ITEM	PART NO.	DESCRIPTION	QTY
	*	VALVE ASSEMBLY	1
1	*	HOUSING, VALVE	1
	*	PLUG, EXPANDER, BALL TYPE (NOT SHOWN)	19
2	96105234	FITTING, PLUG	10
3	96105732	VALVE, RELIEF CART, SIZE 8	2
4	96105238	VALVE, CK, CART, SIZE 8	2
5	96105253	VALVE, RELIEF CARTRIDGE, SIZE 8	1
6	96112553	VALVE, RELIEF CART	1
7	96112948	KIT, CHECK VALVE, DELTRO (INCLUDES 2 CHECK VALVES, 1 PISTON ASSEMBLY AND 2 SPRINGS)	1
8	96105250	FILTER, INLINE	6
9	96105251	SPRING, RETAINING	6
10	96106102	PLUG, ORIFACE, #55	1
11	96105275	NUT, COIL, PARKER	10
12	96111171	COIL, 10VDC, #8 (BLUE)	10
13	96108324	VALVE, CARTRIDGE, 3W/2P, #8, HI-FLOW	5
14	96112584	KIT, VALVE CARTRIDGE (INCLUDES ITEMS #11, 12, 13)	5
15	96108325	VALVE, CARTRIDGE, 2W/2P, NC, POPPET	5
16	96112583	KIT, VALVE CARTRIDGE (INCLUDES ITEMS #11, 12, 15)	5
17	96112556	RESERVOIR, PLASTIC	1
18	96105244	PLUG, BREATHER	1
19	96105237	SCREW, SOCKET HEAD 1/4"-20 X 3"	3
20	96112410	STUD, POWER UNIT	4
21	96101976	SWITCH, PRESSURE	1
22	96105233	MOTOR, 12 VDC 4.5"	1
23	*	FHCS	2
24	*	WASHER, EXTERNAL TOOTH	2
25	*	BEARING, MOTOR BASE	1
26	96105313	KIT, RELIEF VALVE	1
27	96105317	SEAL, SHAFT	1
28	*	BASE ASSEMBLY	1
29	96112558	TUBE ASSEMBLY, RETURN	1
30	96105245	16.32 FILTER	2
31	96105737	TUBE, SUCTION, 90°, 3/8" NPT	1
32	96105314	O-RING (5/8" X 3/4" X 1/16")	2
33	96105316	O-RING (1/2" X 5/8" X 1/16")	1
34	96105315	O-RING (3-5/8" X 3-7/8" X 1/8")	1
35	96105735	PUMP ASSEMBLY	1
36	*	SHCS	4
37	96105231	CLAMP	1

NOTE: * Not Available as a Service Part.

PROCONTROL SYSTEM WIRING

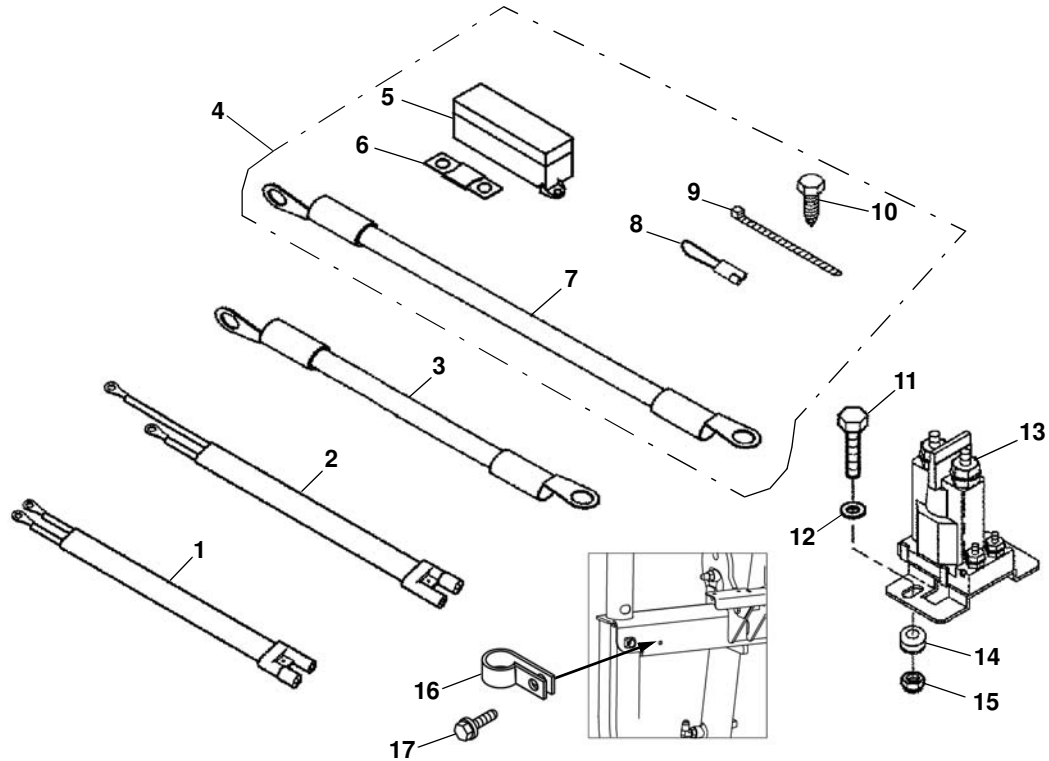
After S.N. MBR200000



ITEM	PART NO.	DESCRIPTION	QTY
1	96112259	CLIP, DASH MOUNT.....	1
2	98100463	SCREW.....	2
3	96112246	TRANSMITTER, WIRED.....	1
	96112244	TRANSMITTER, WIRELESS.....	1
4	96113316	WALL CHARGER, PROCONTROL, 120VAC.....	1
5	96112376	CAR CHARGER, PROCONTROL, 12VDC.....	1
6	96112258	BATTERY, WIRELESS.....	1
7	96112931	KIT, MODULE HARNESS REPAIR, PROCONTROL WIRED (NOT SHOWN)	1
8	96113175	MODULE, RECEIVER, WIRED, UNIVERSAL.....	1
	96112260	MODULE, RECEIVER, WIRELESS, UNIVERSAL.....	1
9	96112985	CAP, SILICONE.....	1
10	96112872	CAP, STORAGE, MALE.....	1
11	96112871	CAP, STORAGE, FEMALE.....	1
12	96112913	HARNESS, VEHICLE.....	1
13	96112191	HARNESS, CONTROL, SOLENOID, MBR, DP.....	1
14	96112496	FUSE, 10 AMP (NOT SHOWN - IN HOLDER).....	1
15	96001227	STRAP, PLASTIC TIE.....	5
16	96112419	RUBBER GROMMET.....	1
17	96112300	CONNECTOR, FEMALE 4 WAY APEX.....	4
	96108662	TERMINAL, FEMALE, 18/20 AWG (NOT SHOWN).....	1
18	96112301	CONNECTOR, MALE 4 WAY APEX.....	4
	96108661	TERMINAL, MALE, 18/22 AWG (NOT SHOWN).....	1

NOTE: * Not Available as a Service Part.

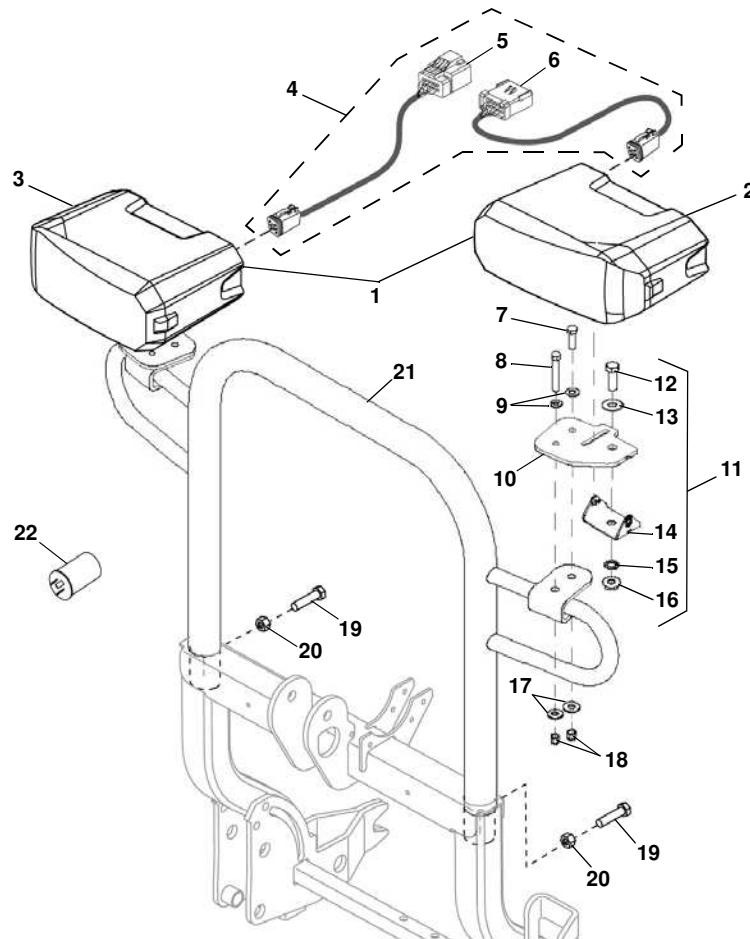
POWER PACK WIRING



ITEM	PART NO.	DESCRIPTION	QTY
1	96104221	HARNESS, BATTERY POWER.....	1
2	96112411	HARNESS, POWER, PLOW, MB.....	1
3	96105273	HARNESS, SOLENOID.....	1
4	96105167	BAG, POWER HARNESS PARTS.....	1
5	96109143	FUSE HOLDER.....	1
6	96109142	FUSE, 250 AMP.....	1
7	96102891	CABLE, POWER.....	2
8	96105082	CAP, PROTECTIVE.....	2
9	96001227	STRAP, TIE PLASTIC.....	2
10	98100037	SCREW, SELF TAPPING, #10-16 x 1".....	4
11	98009027	HHCS, 1/4"-20 x 1".....	2
12	98100254	WASHER, FLAT, 1/4".....	2
13	96002086	SWITCH, SOLENOID.....	1
14	96105282	GROMMET, 3/8" ID.....	2
15	98100255	NUT, HEX HEAD NYLOCK, 1/4"-20.....	2
16	96101891	CLAMP, TUBE, VINYL COATED.....	1
17	98100386	HWH 5/16" X 1-1/4" TE X 3.....	1

NOTE: * Not Available as a Service Part.

AUXILIARY LIGHTING



ITEM	PART NO.	DESCRIPTION	QTY
1	96113241	KIT, LIGHT, EIS DUAL COMPOSITE (INCLUDES ITEM #2, 3 & 11).....	1
2	96113242	ASSY, LIGHT, EIS, DS	1
3	96113243	ASSY, LIGHT, EIS, PS	1
4	96110260	KIT, HARNESS, PLOW LIGHT, EIS	1
5	96108117	CONNECTOR, FEMALE.....	1
6	96108116	CONNECTOR, MALE	1
7	98009034	HHCS, 3/8"-16 X 1-1/4".....	2
8	98009134	HHCS, 3/8"-16 X 2-1/2".....	2
9	98009032	PW, 3/8", A NARROW.....	4
10	96113174	PLATE, ADAPTER, LIGHT MEGA	2
11	96113333*	KIT, BRACKET, ADJUSTER, LIGHT (INCLUDES #12, 13, 14, 15, 16)	1
12	*	HHCS, 1/2"-13 X 1".....	2
13	*	PW, 1/2"	2
14	*	BRACKET, BOTTOM EXTEND MOUNT.....	2
15	*	LW, 1/2"	2
16	*	LN, 1/2"	2
17	98100483	PW, 3/8" TYPE A, WIDE	4
18	98009009	LN, 3/8"-16, NYLON INSERT.....	4
19	98100472	HHCS, 1/2"-13 X 3-1/2", FULL THREAD	2
20	98100172	HN, 1/2"-13, JAM	2
21	96112902	WELDMENT, ULB	1
22	96003010	FLASHER (SOLD SEPARATELY).....	1
23	96113368	KIT, PLATE ADAPTER LIGHT (INCLUDES ITEMS # 7-10, 17, 18, & 24)	1
24	96001227**	ZIP TIE	2

**NOTE: 1) * Not Available as a Service Part.
2) ** Not Shown.**

NOTES

NUMERICAL INDEX

PART NO.	PAGE	ITEM	PART NO.	PAGE	ITEM	PART NO.	PAGE	ITEM
96001227	11	15	96111171	10	12	96112871	11	11
	12	9	96111245	6	4	96112872	11	10
	13	24	96111458	6	21	96112884	8	4
96001392	4	5	96111463	6	23	96112887	6	31
96002086	12	13	96111591	5	5	96112902	13	21
96003010	13	22	96111957	8	1	96112913	11	12
96100000	4	25	96112013	7	11	96112920	8	10
	8	13	96112070	5	10	96112921	8	11
96100001	4	10		8	7	96112923	8	16
	5	11	96112185	4	7	96112924	8	15
	8	8		8	12	96112931	11	7
96101465	6	14	96112191	11	13	96112948	10	7
96101891	12	16	96112244	11	3	96112982	5	13
96101976	10	21	96112246	11	3	96112985	11	9
96102891	12	7	96112258	11	6	96113011	4	26
96104221	12	1	96112259	11	1	96113047	6	8
96105082	12	8	96112260	11	8	96113052	4	11
96105167	12	4	96112300	11	17	96113053	8	2
96105231	10	37	96112301	11	18	96113061	6	10
96105233	10	22	96112307	6	19	96113119	6	32
96105234	10	2	96112321	8	9	96113174	13	10
96105237	10	19	96112330	6	9	96113175	11	8
96105238	10	4	96112336	4	2	96113241	13	1
96105244	10	18	96112352	5	1	96113242	13	2
96105245	10	30	96112376	11	5	96113243	13	3
96105250	10	8	96112410	10	20	96113316	11	4
96105251	10	9	96112411	12	2	96113326	3	14
96105253	10	5	96112417	6	24	96113327	3	15
96105273	12	3	96112419	11	16	96113333	13	11
96105275	10	11	96112439	4	19	96113368	13	23
96105282	12	14	96112496	11	14	96114426	3	16
96105313	10	26	96112500	8	17	97100018	5	15
96105314	10	32	96112553	10	6	97100876	5	14
96105315	10	34	96112556	10	17	97101524	3	17
96105316	10	33	96112558	10	29	98009003	3	9
96105317	10	27	96112583	10	16		4	8
96105732	10	3	96112584	10	14	98009005	4	15
96105735	10	35	96112603	6	26	98009009	13	18
96105737	10	31	96112604	6	25	98009010	3	1
96106102	10	10	96112654	4	23	98009013	3	4
96108116	13	6		8	14		6	12
96108117	13	5	96112745	7	1	98009023	4	17
96108324	10	13	96112746	7	12	98009027	12	11
96108325	10	15	96112748	6	5	98009030	3	18
96108661	11	18	96112757	7	10		5	12
96108662	11	17	96112774	7	2	98009032	13	9
96109142	12	6	96112795	6	28	98009034	13	7
96109143	12	5	96112838	3	5	98009037	4	4
96110192	4	21	96112839	3	7		5	7
96110260	13	4	96112854	7	5	98009038	6	1
96110344	3	3	96112868	7	3	98009039	4	1
96110881	5	6	96112869	7		98009043	6	11

NUMERICAL INDEX

PART NO.	PAGE	ITEM
98009053	6	15
98009069	6	2
98009078	4	3
	5	8
98009082	6	29
	8	6
98009085	4	9
	5	4
98009099	3	8
98009134	13	8
98009150	4	20
	6	30
	7	6
	8	5
98009230	4	18
98009259	6	18
98019176	7	7
98100006	4	12
98100037	12	10
98100040	4	24
	5	3
98100095	6	20
98100172	13	20
98100176	3	2
98100254	8	3
	12	12
98100255	6	6
	12	15
98100264	7	4
98100266	6	7
98100290	5	9
98100294	4	13
98100337	6	22
98100386	4	27
	8	18
	12	17
98100433	4	14
98100439	6	3
98100441	4	22
	5	2
98100447	6	27
98100448	6	13
98100450	6	17
98100451	6	16
98100452	4	16
98100462	7	8
98100463	11	2
98100464	7	9
98100468	4	6
98100470	3	10
98100472	13	19
98100483	13	17

PART NO.	PAGE	ITEM
----------	------	------

PART NO.	PAGE	ITEM
----------	------	------

NOTES

NOTES

SNO-WAY[®] INTERNATIONAL, INC.

SNO-WAY[®]
SNOW & ICE CONTROL EQUIPMENT

Hartford, WI 53027 USA
Website: www.snoway.com
©2014 Sno-Way[®] International