

SNO-WAY®

SNOW & ICE CONTROL EQUIPMENT

SERVICE PARTS MANUAL

MEGABLADE™ CONTRACTOR SERIES SNOW PLOW

WITH SERIAL NUMBERS AFTER
MBC200000

Sno-Way®, Down Pressure® and EIS® are registered trademarks of Sno-Way International, Inc.
ProControl™, MegaBlade™, V-Wing™, E-Z Switch™, Revolution™, MaxAdjust™, SpeedLock™, and QuickJack™
are trademarks of Sno-Way International, Inc.

©2012 Sno-Way® International

97101598A

TABLE OF CONTENTS

	Page
PARTS LIST INTRODUCTION	2
USING THIS PARTS LIST	2
PART DESCRIPTION ABBREVIATIONS	2
BLADE	3
A-FRAME/SPRINGS	4
LOWER LIGHT BAR ASSEMBLY (LLLB)	5
QUICKJACK™ STAND	6
HYDRAULIC POWER UNIT	7
HYDRAULIC SYSTEM	9
PROCONTROL™ SYSTEM WIRING	10
POWER PACK WIRING	11
AUXILIARY LIGHTING	12
NUMERICAL INDEX	13

PARTS LIST INTRODUCTION

Our dealership network stands by to provide you with any assistance you may require, including genuine Sno-Way service parts. All parts should be obtained from or ordered through your dealer. Give complete information about the part(s) at time of order, and include the Model and applicable Serial Numbers of your machine.

NOTE: The Model and all Serial number information should be recorded on page two of your Installation and Owner's Manual for ease of reference. The location of these numbers on the machine is detailed in the manual as well.

"Right" and "Left" are determined from a position sitting on the Operators seat of the vehicle.

We reserve the right to make changes or improvements in the design or construction of any part without incurring the

USING THIS PARTS LIST

A sample parts listing is shown below:

- The "**ITEM**" in column one is the number used in the corresponding illustration.
- The "**PART NO.**" in column two is the number used to order replacement parts. If a number does not appear in the column the part is only available by ordering the complete assembly.
- The "**DESCRIPTION**" in column three is the name of the replacement part. At times the name may be indented, this means that the indented parts are part of the preceding assembly.
- The "**QTY.**" in column four is the quantity needed to service the assembly illustrated, not the complete product.

ITEM	PART NO.	DESCRIPTION	QTY.
1	96100083	O-ring	1
2	96001529	Elbow	3
3	98100036	Capscrew, Hex.,3/8"-16NC x 7/8"	9

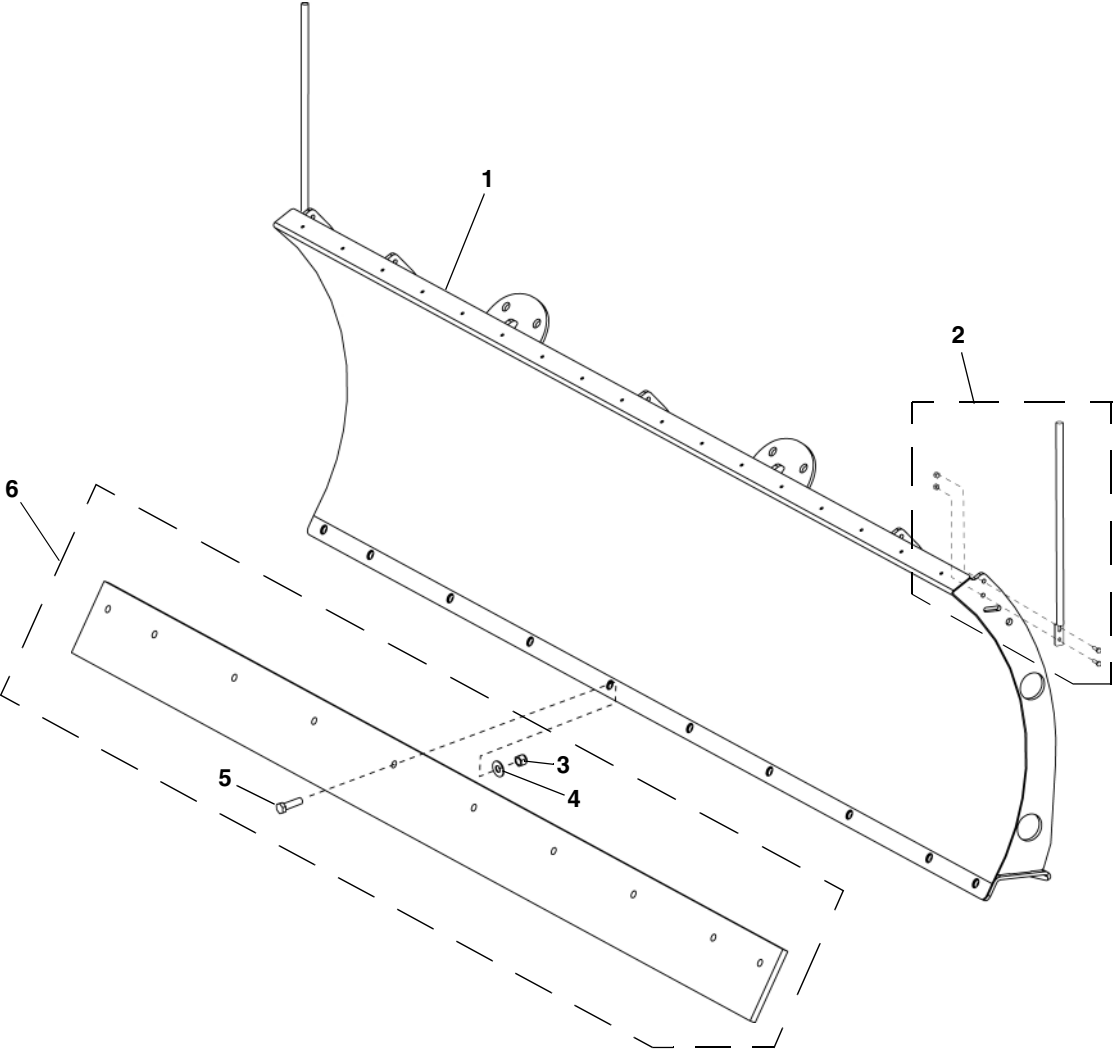
PART DESCRIPTION ABBREVIATIONS

Our Part Descriptions use common industry standard abbreviations in the naming conventions for many individual items. The list below details the abbreviations commonly used throughout this manual. If a specific abbreviation is not listed, contact any Sno-Way Dealer for clarification.

ABBREV.	DESCRIPTION
BRKT	BRACKET
CB	CARRIAGE BOLT
CLP	CLEVIS PIN
COTP	COTTER PIN
DP	DOWN PRESSURE
DS	DRIVER SIDE
EB	EYE BOLT
GR	GRADE
HDWE	HARDWARE
HHCS	HEX HEAD CAP SCREW
HN	HEX NUT
HNILN	HEX NYLON INSERT LOCKNUT

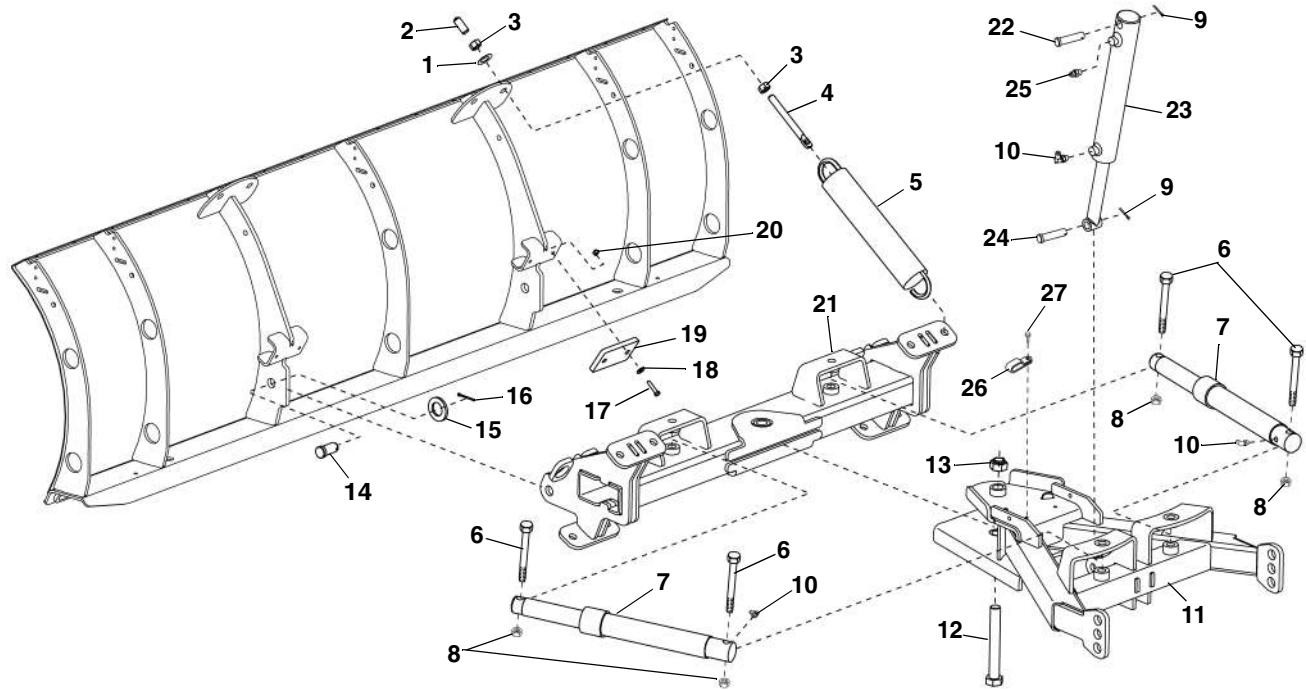
ABBREV.	DESCRIPTION
HW	HARD WIRED
HWH	HEX WASHER HEAD
LN	LOCK NUT
LW	HELICAL LOCK WASHER
PS	PASSENGER SIDE
PW	PLAIN FLAT WASHER
SHCS	SOCKET HEAD CAP SCREW
SLT	SLOTTED
SS	STAINLESS STEEL
ST	SELF-THREADING
UB	U-BOLT
WL	WIRELESS

BLADE



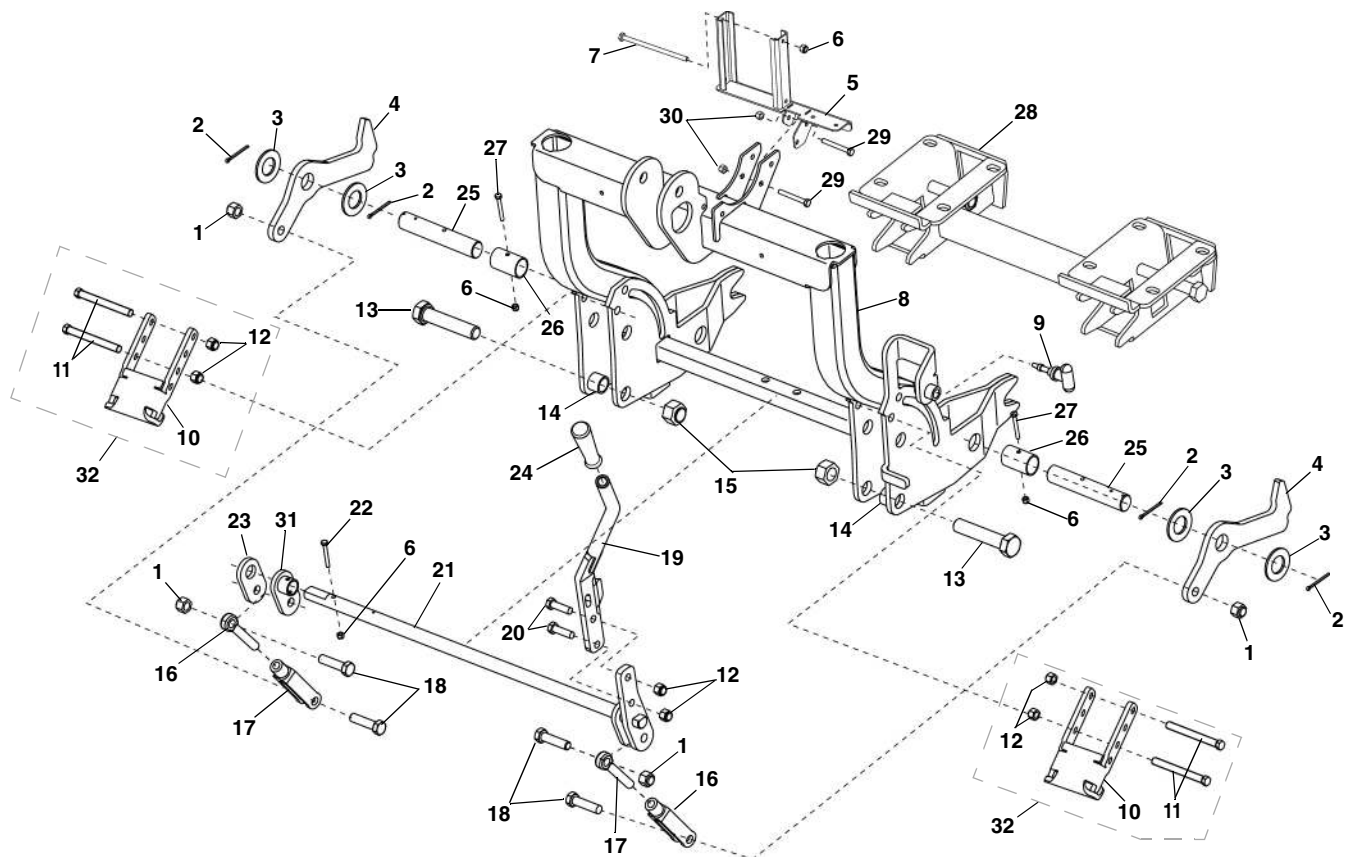
ITEM	PART NO.	DESCRIPTION	QTY
1		WELDMENT, BLADE FRAME, MBC, 102"	1
2	96112352	KIT, BLADE GUIDE-YELLOW.....	2
		HHCS, 5/16-18 X1" SS (INCLUDED WITH ITEM #2)	2
		LN, 5/16"-18, SS (INCLUDED WITH ITEM #2)	2
3	98009013	LN, 1/2-13, NYLON INSERT	10
4	98100476	PW, 1/2", .195/.170 THICK, HARDENED	10
5	98009099	CB, 1/2"-13 X 2"	10
6	96112728	KIT, WEARSTRIP, MBC, 102" (INCLUDES ITEMS #3-5)	1

A-FRAME/SPRINGS



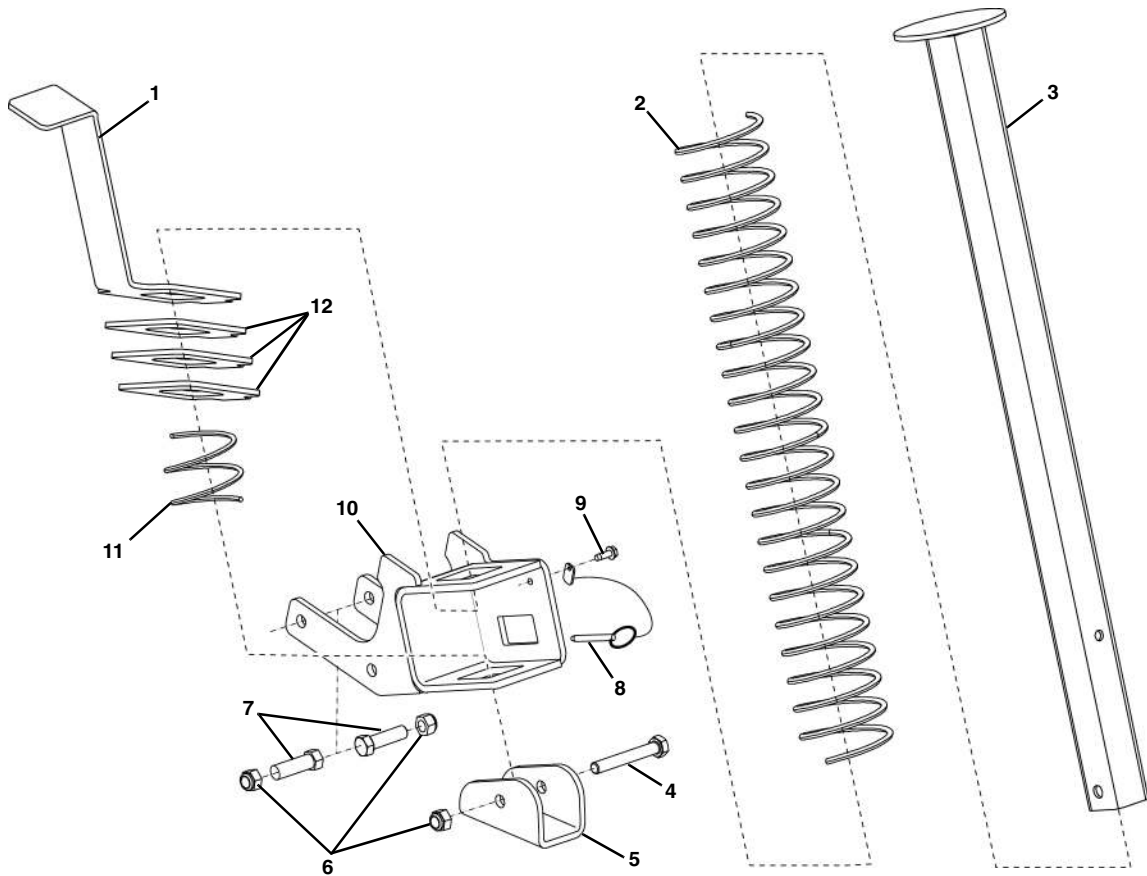
ITEM	PART NO.	DESCRIPTION	QTY
1	98009039	PW, 5/8", TYPE B	4
2	96112336	PROTECTIVE CAP, EYE BOLT	4
3	98009078	HN, 5/8"-11	8
4	98009037	EB, 5/8"-11 X 6.0"	4
5	96001392	SPRING, TRIP	4
6	98100468	HHCS, 3/4"-10 X 8.....	4
7	96112184	CYLINDER, SWING, 1-1/2" X 11", MBR	2
8	98009003	LN, 3/4"-10, NYLON INSERT	4
9	98009085	COTP, 5/32" X 1-1/2"	2
10	96100001	FITTING, ELBOW 90°	3
11	96113052	A-FRAME, MBC & MBR	1
12	98100006	HHCS, 1"-14 X 7-1/2"	1
13	98100294	HLN, 1"-14	1
14	98100433	CLP, 1" X 2"	2
15	98009005	PW, 1", A NARROW	2
16	98100452	COTP, 5/32" X 1-3/4"	2
17	98009023	HHCS, 5/16"-18 X 1.5"	4
18	98009230	PW, 5/16", W WIDE	4
19	96112439	KIT, STOP BLADE (INCLUDES ITEMS #18, 19, 20, 21).....	2
20	98009150	LN, 5/16-18, NYLON INSERT.....	4
21	96110192	WELDMENT, SWING FRAME, MBC & MBR	1
22	98100441	CLP, 3/4" X 5"	1
23	96112654	CYLINDER, LIFT, 2" X 12" STROKE	1
24	98100040	PIN, CLEVIS	1
25	96100000	FITTING, STRAIGHT CONNECTOR.....	1
26	96113011	CLAMP, HYDRAULIC HOSE	2
27	98100386	HWH, 5/16" X 1-1/4" TE X 3	2

LOWER LIGHT BAR ASSEMBLY (LLB)



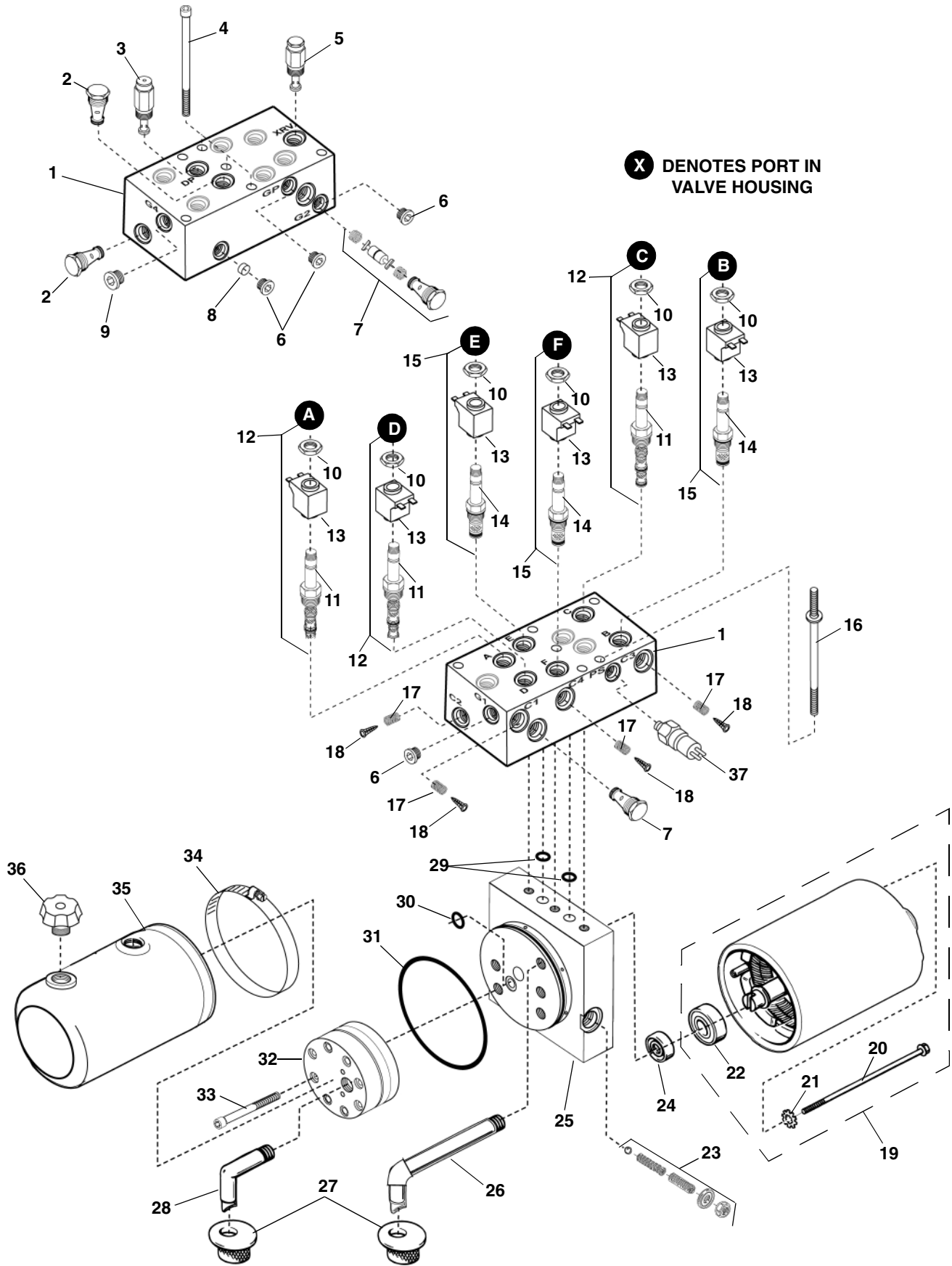
ITEM	PART NO.	DESCRIPTION	QTY
1	98009038	LN, 5/8"-11, NYLON INSERT	4
2	98009069	COPT, 5/32" X 2"	4
3	98100439	PW, 1-1/4" A NARROW	4
4	96111245	LATCH	2
5		WELDMENT, MB RECEIVER	1
6	98100255	LN, 1/4"-20, NYLON INSERT	4
7	98100266	HHCS, 1/4" X 6"	1
8		LLLB	1
9	96112330	PIN, SPRING SECTION	1
10		STOP, LIFT (MBC/MBR/MBV) (SEE ITEM 32 FOR SERVICE PART KIT	2
11	98009043	HHCS, 1/2"-13 X 5"	4
12	98009013	LN, 1/2"-13, NYLON INSERT	6
13	98100448	HHCS, 1"-8 X 5"	2
14	96101465	TUBE, SPACER	2
15	98009053	HNILN, 1"-8	2
16	98100451	TAPPED YOKE	2
17	98100450	ROD END- PARTIALLY THREADED	2
18	98009259	HHCS, 5/8"-11 X 2.50"	4
19		WELDMENT, HANDLE UPPER	1
20	98100095	HHCS, 1/2"-13 X 1-3/4"	2
21		WELDMENT, ATTACH MECHANISM	1
22	98100337	HHCS, 1/4"-20 x 1-3/4"	1
23	96111463	CAM, ATTACH MECH.	1
24	96112417	HANDLE, HOOK-UP	2
25	96112604	PIN, LATCH PIVOT	2
26	96112603	TUBE, SPACER, LATCH PIVOT	2
27	98100447	HHCS, 1/4"-20 X 2"	2
28	96112795	VRM (VEHICLE RECEIVER MOUNT)	1
29	98009082	HHCS, 5/16"-18 X 2-1/2"	2
30	98009150	LN, 5/16"-18, NYLON INSERT	2
31		WELDMENT CAM, ATTACH MECH.	1
32	96113119	KIT, STOP, LIFT MEGABLADE (INCLUDES ITEM 10, QTY 2 AND ITEMS 11-12, QTY 4 EACH)	1

QUICKJACK™ STAND



ITEM	PART NO.	DESCRIPTION	QTY
	96112869	QUICKJACK™ STAND KIT (INCLUDES ITEMS #1-6, 8-12)	1
1		BRACKET, RACHET PLATE W/HANDLE	1
2		SPRING, JACKSTAND	1
3		WELDMENT, TUBE, JACK	1
4		HHCS, 5/16"-18 X 2-1/4"	1
5		BRACKET, JACKSTAND FOOT	1
6		LN, 5/16"-18, NYLON INSERT	5
7		HWHST, 5/16"-18 X 1"	4
8		PIN, 1/4"-20, LAYNARD	1
9		HEX WASHER HEX SCREW, #8 X 1/2"	1
10		WELDMENT, JACKSTAND HOLDER	1
11		SPRING, JACKSTAND	1
12		BRACKET, RACHET PLATE	3

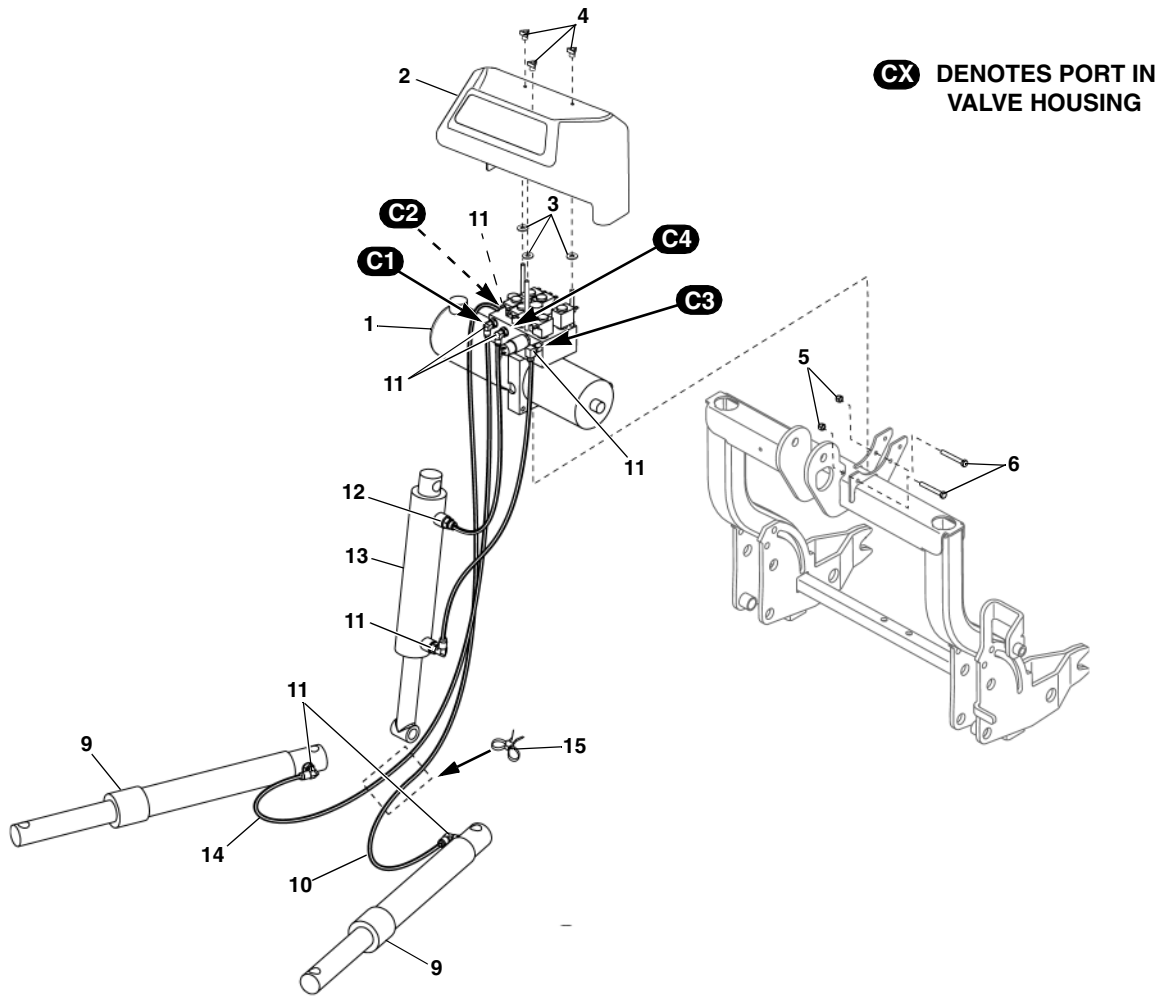
HYDRAULIC POWER UNIT



HYDRAULIC POWER UNIT

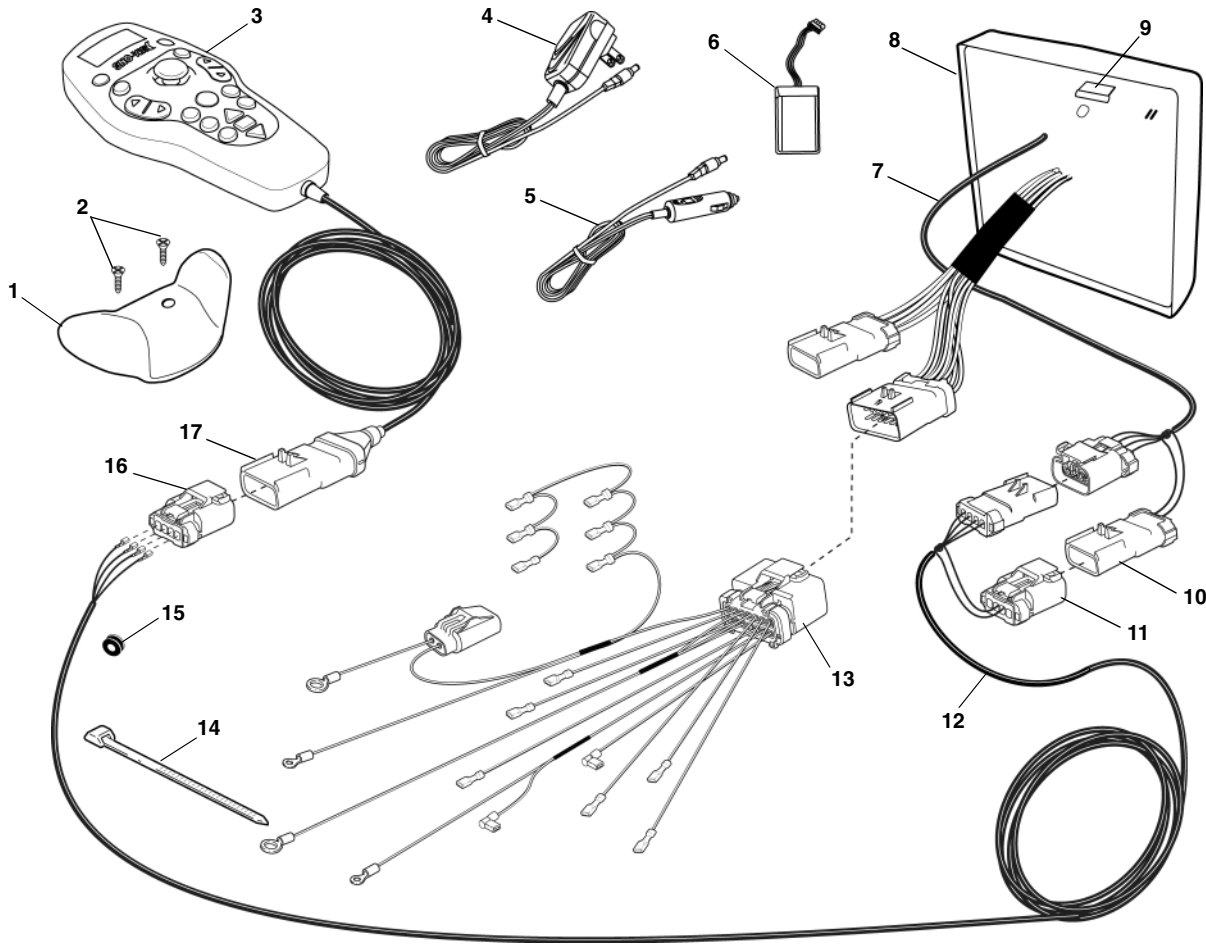
ITEM	PART NO.	DESCRIPTION	QTY
		VALVE ASSEMBLY	1
1		HOUSING, VALVE	1
		PLUG, EXPANDER, BALL TYPE 9 (NOT SHOWN)	11
2	96105238	VALVE, CHECK	2
3	96105253	VALVE, RELIEF CARTRIDGE, SIZE 8	1
4	96105237	SCREW, SOCKET HEAD 1/4"-20 X 3"	3
5	96112599	VALVE, RELIEF CART	1
6	96105234	FITTING, PLUG	4
7	96112948	KIT, CHECK VALVE, DELTRO	2
		VALVE, PISTON ASSMBLY	1
8	96106102	PLUG, ORIFACE, #55	1
9	96105240	PLUG, SAE, O-RING, 9/16-18	1
10	96105275	NUT, COIL, PARKER	6
11	96108324	VALVE, CARTRIDGE, 3W/2P, #8, HI-FLOW	3
12	96108341	VALVE, SOLENOID, 3W/2POS, 10V (INCLUDES ITEMS #10, 11, 13)	3
13	96111171	COIL, 10VDC, #8 (BLUE)	6
14	96108325	VALVE, CARTRIDGE, 2W/2P, NC, POPPET	3
15	96112583	KIT, VALVE CARTRIDGE (INCLUDES ITEMS #10, 13, 14)	3
16	96112410	WELDMENT, ATTACHMENT, PUMP COVER	3
17	96105250	FILTER, INLINE	4
18	96105251	SPRING, RETAINING	4
19	96105233	MOTOR, 12 VDC 4.5"	1
20		FHCS	2
21		WASHER, EXTERNAL TOOTH	2
22		BEARING, MOTOR BASE	1
23	96105313	KIT, RELIEF VALVE	1
24	96105317	SEAL, SHAFT	1
25		BASE ASSEMBLY	1
26	96112558	TUBE ASSEMBLY, RETURN	1
27	96105245	16.32 FILTER	2
28	96105737	TUBE, SUCTION, 90°, 3/8" NPT	1
29	96105314	O-RING (5/8" X 3/4" X 1/16")	2
30	96105316	O-RING (1/2" X 5/8" X 1/16")	1
31	96105315	O-RING (3-5/8" X 3-7/8" X 1/8")	1
32	96105735	PUMP ASSEMBLY	1
33		SHCS	4
34	96105231	CLAMP	1
35	96112556	RESERVOIR, PLASTIC	1
36	96105244	PLUG, BREATHER	1
37	96101976	SWITCH, PRESSURE	1

HYDRAULIC SYSTEM



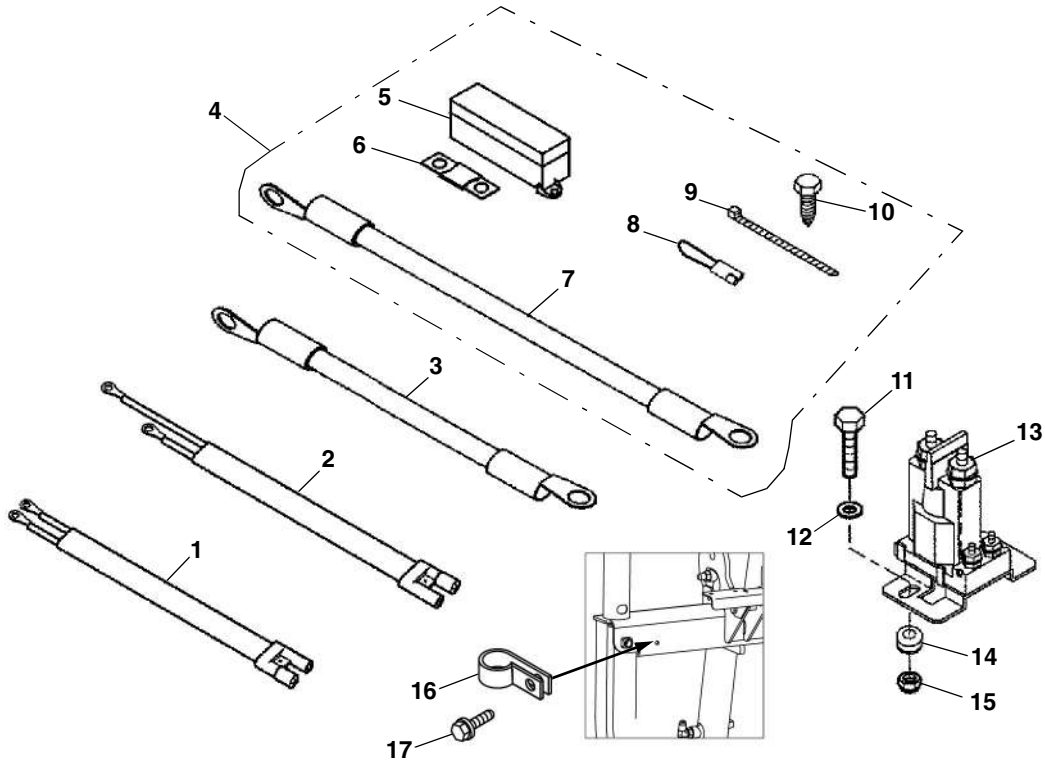
ITEM	PART NO.	DESCRIPTION	QTY
1	96111956	POWER UNIT, MBC.....	1
2	96113053	PUMP COVER, MBR.....	1
3	98100456	WING NUT, 5/16"-18 UNC, ZP/DT.....	3
4	98009230	PW, 5/16, W WIDE, ZP/DT.....	3
5	98009150	LN, 5/16-18, NYLON INSERT, ZP/DT.....	2
6	98009082	HHCS, .31"-18 X 2.50" GR 5 ZP/DT.....	2
7	96112924	HOSE, HYDRAULIC, 14.00" (VALVE PORT C4).....	1
8	96112923	HOSE, HYDRAULIC, 20.00" (VALVE PORT C3).....	1
9	96112184	CYLINDER, SWING, SA, 1-1/2" X 11, MBC.....	2
10	96112920	HOSE, HYDRAULIC, 40.00" (VALVE PORT C1).....	1
11	96100001	FITTING, ELBOW 90°.....	7
12	96100000	FITTING, STRAIGHT CONNECTOR.....	1
13	96112611	CYLINDER, LIFT, 2" X 1" ROD (NOTE: REBUILD KIT NOT AVAILABLE).....	1
14	96112921	HOSE, HYDRAULIC, 36.00" (VALVE PORT C2).....	1
15	96112692	STRAP, DUAL TIE.....	1

PROCONTROL SYSTEM WIRING



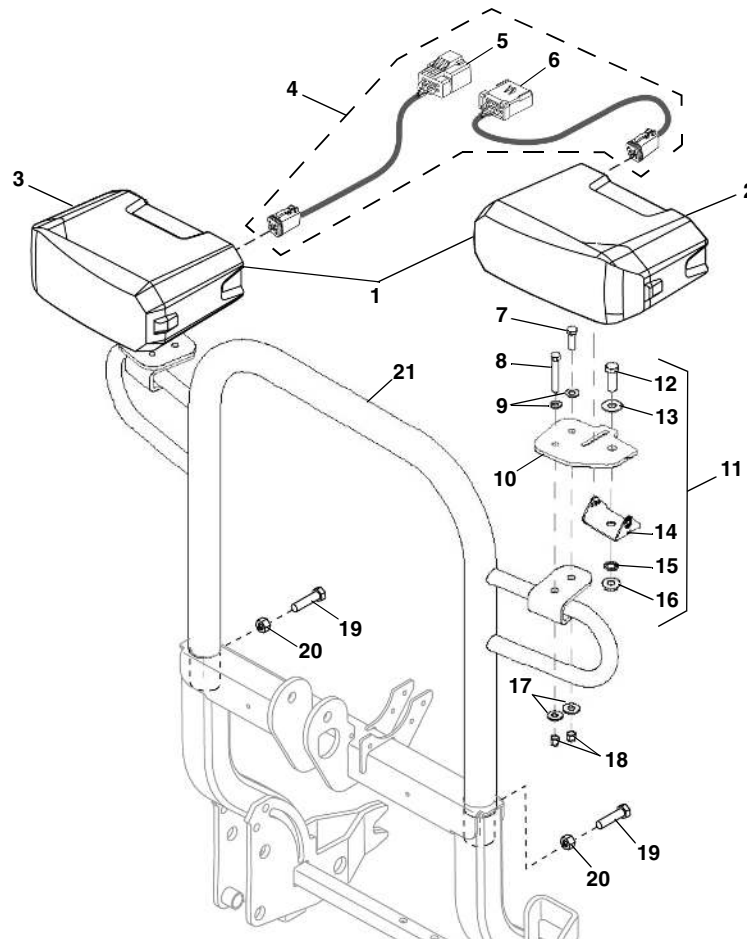
ITEM	PART NO.	DESCRIPTION	QTY
1		CLIP, DASH MOUNT.....	1
2		SCREW.....	2
3	96112246	TRANSMITTER, WIRED.....	1
	96112244	TRANSMITTER, WIRELESS.....	1
4	96113316	WALL CHARGER, PROCONTROL, 120VAC.....	1
5	96112376	CAR CHARGER, PROCONTROL, 12VDC.....	1
6	96112258	BATTERY, WIRELESS.....	1
7	96112931	KIT, MODULE HARNESS REPAIR, PROCONTROL WIRED (NOT SHOWN)	1
8	96112915	MODULE, RECEIVER, WIRED, UNIVERSAL.....	1
	96112250	MODULE, RECEIVER, WIRELESS, UNIVERSAL.....	1
9	96112985	CAP, SILICONE.....	1
10	96112872	CAP, STORAGE, MALE.....	1
11	96112871	CAP, STORAGE, FEMALE.....	1
12	96112913	HARNESS, VEHICLE.....	1
13	96112191	HARNESS, CONTROL, SOLENOID, MBR, DP.....	1
14		STRAP, PLASTIC TIE.....	5
15	96112419	RUBBER GROMMET.....	1
16	96112300	CONNECTOR, FEMALE 4 WAY APEX.....	4
	96108662	TERMINAL, FEMALE, 18/20 AWG (NOT SHOWN).....	1
17	96112301	CONNECTOR, MALE 4 WAY APEX.....	4
	96108661	TERMINAL, MALE, 18/22 AWG (NOT SHOWN).....	1

POWER PACK WIRING



ITEM	PART NO.	DESCRIPTION	QTY
1	96104221	HARNESS, BATTERY POWER	1
2	96112411	HARNESS, POWER, PLOW, MB	1
3	96105273	HARNESS, SOLENOID	1
4	96105167	BAG, POWER HARNESS PARTS	1
5	96109143	FUSE HOLDER.....	1
6	96109142	FUSE, 250 AMP	1
7	96102891	CABLE, POWER.....	2
8	96105082	CAP, PROTECTIVE	2
9		STRAP, TIE PLASTIC	2
10	98100037	SCREW, SELF TAPPING, #10-16 x 1".....	4
11	98009027	HHCS, 1/4"-20 x 1"	2
12	98100254	WASHER, FLAT, 1/4"	2
13	96002086	SWITCH, SOLENOID	1
14	96105282	GROMMET, 3/8" ID	2
15	98100255	NUT, HEX HEAD NYLOCK, 1/4"-20.....	2
16	96101891	CLAMP, TUBE, VINYL COATED.....	1
17	98100386	HWH 5/16" X 1-1/4" TE X 3.....	1

AUXILIARY LIGHTING



ITEM	PART NO.	DESCRIPTION	QTY
1	96113241	KIT, LIGHT, EIS DUAL COMPOSITE (INCLUDES ITEM #2, 3 & 11).....	1
2	96113242	ASSY, LIGHT, EIS, DS	1
3	96113243	ASSY, LIGHT, EIS, PS	1
4	96110260	KIT, HARNESS, PLOW LIGHT, EIS	1
5	96108117	CONNECTOR, FEMALE.....	1
6	96108116	CONNECTOR, MALE	1
7	98009034	HHCS, 3/8"-16 X 1-1/4".....	2
8	98009134	HHCS, 3/8"-16 X 2-1/2".....	2
9	98009032	PW, 3/8", A NARROW.....	4
10	96113174	PLATE, ADAPTER, LIGHT MEGA	2
11	96113333	KIT, BRACKET, ADJUSTER, LIGHT (INCLUDES #12, 13, 14, 15, 16)	1
12		HHCS, 1/2"-13 X 1".....	2
13		PW, 1/2"	2
14		BRACKET, BOTTOM EXTEND MOUNT.....	2
15		LW, 1/2"	2
16		LN, 1/2"	2
17	98100483	PW, 3/8" TYPE A, WIDE	4
18	98009009	LN, 3/8"-16, NYLON INSERT.....	4
19	98100472	HHCS, 1/2"-13 X 3-1/2", FULL THREAD	2
20	98100172	HN, 1/2"-13, JAM	2
21	96112902	WELDMENT, ULB	1
22	96003010	FLASHER (SOLD SEPARATELY) (NOT SHOWN)	1
23	96113368	KIT, PLATE ADAPTER LIGHT (INCLUDES ITEMS # 7-10, 17, 18, & 24)	1

NUMERICAL INDEX

PART NO.	PAGE	ITEM	PART NO.	PAGE	ITEM	PART NO.	PAGE	ITEM
96001392	4	5	96112246	10	3	98009027	11	11
96002086	11	13	96112250	10	8	98009032	12	9
96003010	12	22	96112258	10	6	98009034	12	7
96100000	4	25	96112300	10	16	98009037	4	4
	9	12	96112301	10	17	98009038	5	1
96100001	4	10	96112330	5	9	98009039	4	1
	9	11	96112336	4	2	98009043	5	11
96101465	5	14	96112352	3	2	98009053	5	15
96101891	11	16	96112376	10	5	98009069	5	2
96101976	8	37	96112410	8	16	98009078	4	3
96102891	11	7	96112411	11	2	98009082	5	29
96104221	11	1	96112417	5	24		9	6
96105082	11	8	96112419	10	15	98009085	4	9
96105167	11	4	96112439	4	19	98009099	3	5
96105231	8	34	96112556	8	35	98009134	12	8
96105233	8	19	96112558	8	26	98009150	4	20
96105234	8	6	96112583	8	15		5	30
96105237	8	4	96112599	8	5		9	5
96105238	8	2	96112603	5	26	98009230	4	18
96105240	8	9	96112604	5	25		9	4
96105244	8	36	96112611	9	13	98009259	5	18
96105245	8	27	96112654	4	23	98100006	4	12
96105250	8	17	96112692	9	15	98100037	11	10
96105251	8	18	96112728	3	6	98100040	4	24
96105253	8	3	96112795	5	28	98100095	5	20
96105273	11	3	96112869	6		98100172	12	20
96105275	8	10	96112871	10	11	98100254	11	12
96105282	11	14	96112872	10	10	98100255	5	6
96105313	8	23	96112902	12	21		11	15
96105314	8	29	96112913	10	12	98100266	5	7
96105315	8	31	96112915	10	8	98100294	4	13
96105316	8	30	96112920	9	10	98100337	5	22
96105317	8	24	96112921	9	14	98100386	4	27
96105735	8	32	96112923	9	8		11	17
96105737	8	28	96112924	9	7	98100433	4	14
96106102	8	8	96112931	10	7	98100439	5	3
96108116	12	6	96112948	8	7	98100441	4	22
96108117	12	5	96112985	10	9	98100447	5	27
96108324	8	11	96113011	4	26	98100448	5	13
96108325	8	14	96113052	4	11	98100450	5	17
96108341	8	12	96113053	9	2	98100451	5	16
96108661	10	17	96113119	5	32	98100452	4	16
96108662	10	16	96113174	12	10	98100456	9	3
96109142	11	6	96113241	12	1	98100468	4	6
96109143	11	5	96113242	12	2	98100472	12	19
96110192	4	21	96113243	12	3	98100476	3	4
96110260	12	4	96113316	10	4	98100483	12	17
96111171	8	13	96113333	12	11			
96111245	5	4	96113368	12	23			
96111463	5	23	98009003	4	8			
96111956	9	1	98009005	4	15			
96112184	4	7	98009009	12	18			
	9	9	98009013	3	3			
96112191	10	13		5	12			
96112244	10	3	98009023	4	17			

NOTES

SNO-WAY® INTERNATIONAL, INC.

SNO-WAY
SNOW & ICE CONTROL EQUIPMENT

Hartford, WI 53027 USA
Website: www.snoway.com
©2012 Sno-Way® International