

SNO-WAY®

SNOW & ICE CONTROL EQUIPMENT

SERVICE PARTS MANUAL

MEGABLADE™ V-WING™ SERIES SNOW PLOW

WITH SERIAL NUMBER BEFORE
MBV101000

Sno-Way®, Down Pressure® and EIS® are registered trademarks of Sno-Way International, Inc.
ProControl™, MegaBlade™, V-Wing™, E-Z Switch™, Revolution™, MaxAdjust™, SpeedLock™, and QuickJack™
are trademarks of Sno-Way International, Inc.

©2013 Sno-Way® International

97101511F

TABLE OF CONTENTS

	Page
PARTS LIST INTRODUCTION	2
USING THIS PARTS LIST	2
PART DESCRIPTION ABBREVIATIONS	2
A-FRAME/TOWER ASSEMBLY	3
V-WING™ BLADE.....	5
LOWER LIGHT BAR ASSEMBLY (LLLB)	6
QUICKJACK™ STAND	7
HYDRAULIC SYSTEM.....	8
HYDRAULIC POWER UNIT	9
POWER PACK WIRING.....	11
PROCONTROL™ SYSTEM WIRING - S.N. BEFORE MBV100499.....	13
PROCONTROL™ SYSTEM WIRING - S.N. AFTER MBV100500.....	14
AUXILIARY LIGHTING	15
NUMERICAL INDEX	17

PARTS LIST INTRODUCTION

Our dealership network stands by to provide you with any assistance you may require, including genuine Sno-Way service parts. All parts should be obtained from or ordered through your dealer. Give complete information about the part as well as the Model Number and Serial Number of your machine.

Record the Serial Number in the space provided in your Owner's Manual for quick reference. The Serial Number for the unit is on a plate located on the left frame gusset of the Hopper Frame.

"Right" and "Left" are determined from a position sitting on the Operators Seat of the vehicle.

We reserve the right to make changes or improvements in the design or construction of any part without incurring the obligation to install such changes in any unit previously delivered.

USING THIS PARTS LIST

Below is parts listing with four columns. The first column is the "ITEM", the second is the "PART NUMBER", The third is the "DESCRIPTION" and the fourth is the "QUANTITY".

The **"ITEM"** is the number used in the corresponding illustration.

The **"PART NO."** is the number used to order replacement parts. If a number does not appear in the column the part is only available by ordering the complete assembly.

The **"DESCRIPTION"** is the name of the replacement part. At times the name may be indented, this means that the indented parts are part of the preceding assembly.

The **"QTY."** is the quantity needed to service the assembly illustrated, not the complete product.

ITEM	PART NO.	DESCRIPTION	QTY.
1	96100083	O-ring	1
2	96001529	Elbow	3
3	98100036	Capscrew, Hex., 3/8"-16NC x 7/8"	9

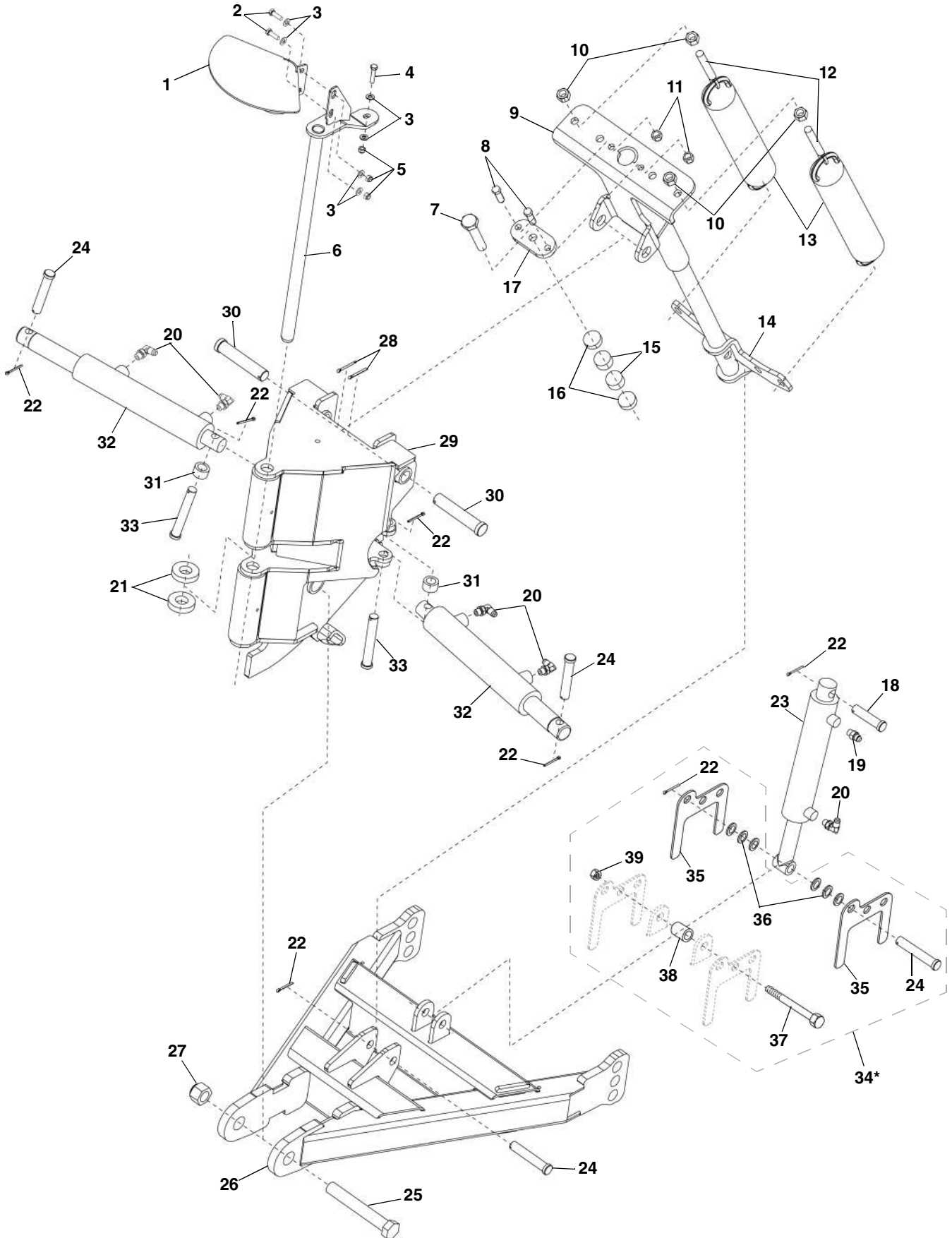
PART DESCRIPTION ABBREVIATIONS

Our Part Descriptions use common industry standard abbreviations in the naming conventions for many individual items. The list below details the abbreviations commonly used throughout this manual. If a specific abbreviation is not listed, contact any Sno-Way Dealer for clarification.

ABBREV.	DESCRIPTION
BRKT	BRACKET
CB	CARRIAGE BOLT
CLP	CLEVIS PIN
COTP	COTTER PIN
DP	DOWN PRESSURE
DS	DRIVER SIDE
EB	EYE BOLT
GR	GRADE
HDWE	HARDWARE
HHCS	HEX HEAD CAP SCREW
HN	HEX NUT
HNILN	HEX NYLON INSERT LOCKNUT

ABBREV.	DESCRIPTION
HW	HARD WIRED
HWH	HEX WASHER HEAD
LN	LOCK NUT
LW	HELICAL LOCK WASHER
PS	PASSENGER SIDE
PW	PLAIN FLAT WASHER
SHCS	SOCKET HEAD CAP SCREW
SLT	SLOTTED
SS	STAINLESS STEEL
ST	SELF-THREADING
UB	U-BOLT
WL	WIRELESS

A-FRAME/TOWER ASSEMBLY

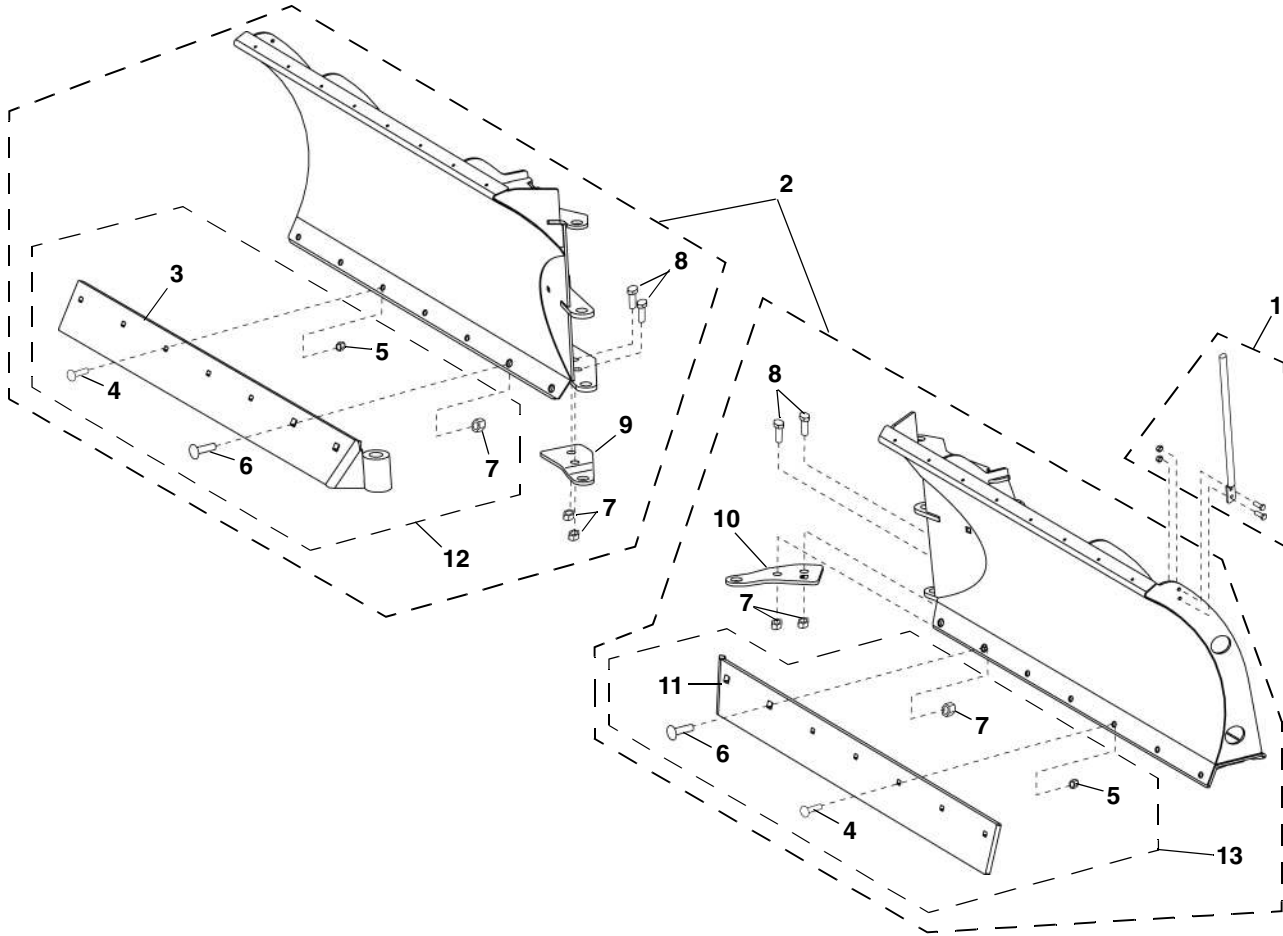


A-FRAME/TOWER ASSEMBLY

ITEM	PART NO.	DESCRIPTION	QTY
1	96112220	WELDMENT, CENTER DEFLECTOR	1
2	98009149	HHCS, .31"-18 X 1.0" GR. 8, ZP/DT	2
3	98009024	PW, .31" HARD, ZINC	6
4	98009023	HHCS, .31"-18 X 1.5", GR. 8, ZINC.....	1
5	98009150	LN, 5/16-18, NYLON INSERT, ZP/DT.....	3
6	96111951	WELDMENT, PIN, MBV	1
7	98100455	TAP BOLT, 3/4"-10 X 4", UNC, FULL THREAD, ZP/DT	1
8	98009010	HHCS, 1/2-13 X 1-1/2. GR 8, ZP/DT	2
9	96112841	WELDMENT, SPRING HOLDER.....	1
10	98009078	HN, .62"-11, ZINC	4
11	98009013	LN, 1/2-13, NYLON INSERT, ZP/DT.....	2
12	98100457	EB., 5/8"-11 X 4-1/2", ZP/DT.....	2
13	96001392	SPRING, TRIP	2
14	96112844	WELDMENT, SPRING HOLDER, BOTTOM.....	1
15	96111065	STOP	2
16	96111064	PLATE, STOP	2
17	96111066	PLATE, ADJUSTMENT.....	1
18	98100441	CLP, 3/4" X 5" GR. 5, ZP/DT	1
19	96100000	FITTING, STRAIGHT CONNECTOR.....	1
20	96100001	FITTING, ELBOW 90°	5
21	96112217	PLATE, SPACER V-PLOW	2
22	98009085	COPT, 5/32 X 1-1/2, ZP	6
23	96112611	CYLINDER, LIFT, 2" X 1" ROD (NOTE: REBUILD KIT NOT AVAILABLE)....	1
24	98100007	CLP, .75-4.00, GR. 8, ZP/DT	4
25	98100436	HHCS, 1-1/4"-8 X 8-1/4", GR. 8 ZP/DT	1
26	96111940	WELDMENT, A-FRAME, MBV.....	1
27	98100454	LN, 1-1/4"-8, NYLON INSERT, ZP/DT	1
28	98100453	COTP, 3/16" X 1-3/4", ZP.....	2
29	96111000	WELDMENT, TOWER	1
30	98100440	CLP, 1" x 5", GR. 5, ZP/DT	2
31	96112333	BUSHING,.750 X .813 I.D. X 1.25 O.D.	2
32	96111453	CYLINDER, SWING, DA 2" X 9-1/2", MBV	2
33	98100441	CLP, 3/4" X 5" GR. 5, ZP/DT.....	2
34	96112630*	KIT, MBV LIFT BRACKET (INCLUDES ITEMS #22, 24, 36-40.....	1
35		BRACKET, LIFT, MBV	2
36		PW, 3/4, A NARROW, ZP/DT.....	6
37		HHCS, .75-10 X 4.5, GR 8, ZP/DT.....	1
38		TUBE, SPACER, LIFT MBV KIT	1
39		LN, 3/4"-10, NYLON INSERT< ZP/DT	1

*NOTE: The Part Descriptions above use common industry standard abbreviations in the naming conventions. Reference "PART DESCRIPTION ABBREVIATIONS" on page 3 for a list of abbreviations used in this manual. *See Owner's Manual for correct Lift Bracket Kit mounting instructions.*

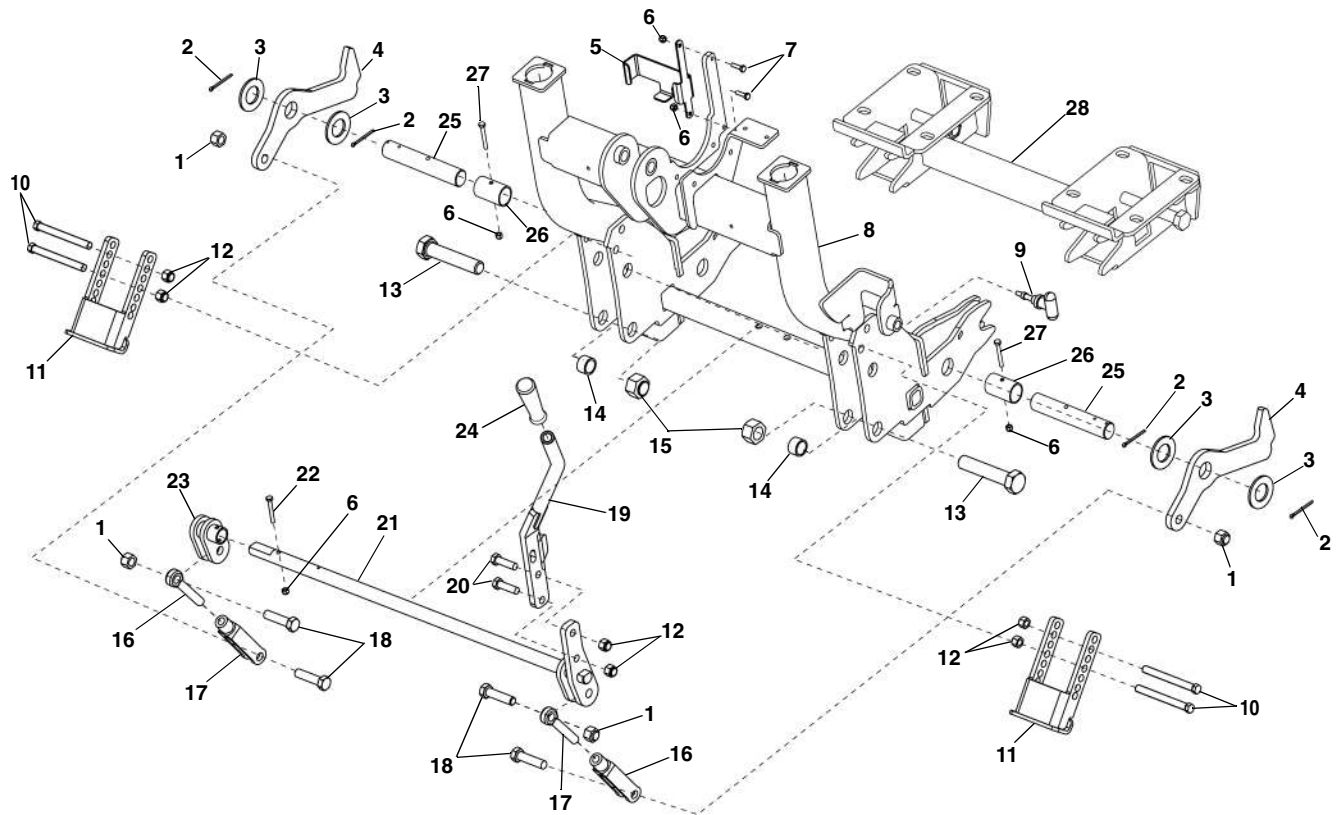
V-WING™ BLADE



ITEM	PART NO.	DESCRIPTION	QTY
1	96112352	KIT, BLADE GUIDE-YELLOW	2
		HHCS, 5/16"-18 X1" SS (INCLUDED WITH ITEM #1)	2
		LN, 5/16"-18, SS (INCLUDED WITH ITEM #1)	2
2	99100980	PKG, WINGS, 29VHD, PS & DS SET	1
3		WEARSTRIP, 29VHD, PS	1
4	98100481	CB, 1/2"-13 X 1-3/4"	10
5	98009013	LN, 1/2"-13, NYLON INSERT	10
6	98100482	CB, 3/4"-10 X 2"	4
7	98009003	LN, 3/4"-10, NYLON INSERT	8
8	98009001	HHCS, 3/4"-10 X 2.50"	4
9	96113365	SUPPORT PLATE, LOWER HINGE, PS	1
10	96113364	SUPPORT PLATE, LOWER HINGE, DS	1
11		WEARSTRIP, 29VHD, DS	1
12	96113318	WEARSTRIP KIT, 29VHD PS (INCLUDES ITEM 3 AND HARDWARE)	1
13	96113319	WEARSTRIP KIT, 29VHD DS (INCLUDES ITEM 11 AND HARDWARE)	1

NOTE: The Part Descriptions above use common industry standard abbreviations in the naming conventions.
 Reference "PART DESCRIPTION ABBREVIATIONS" on page 3 for a list of abbreviations used in this manual.

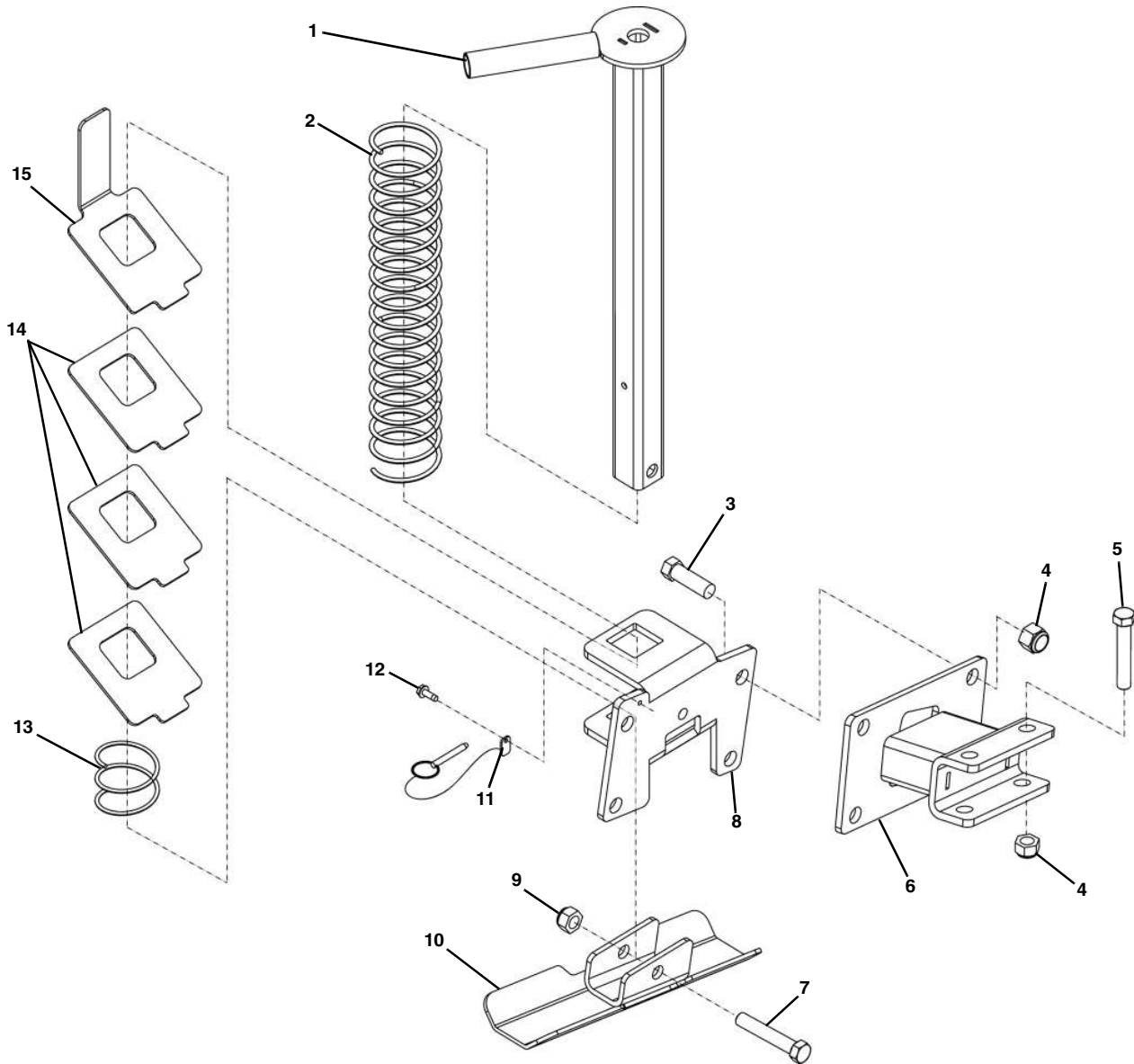
LOWER LIGHT BAR ASSEMBLY (LLLB)



ITEM	PART NO.	DESCRIPTION	QTY
1	98009038	LN, 5/8-11, NYLON INSERT, ZP/DT	8
2	98009069	COPT, 5/32 X 2, ZP/DT	4
3	98100439	PW, 1.25" A NARROW, ZP/DT	4
4	96111245	LATCH	2
5		BRACKET, RECEIVER.....	1
6	98100255	LN, 1/4-20, NYLON INSERT, ZP/DT	5
7	98009027	HHCS, .25"-20 X 1.00" GRADE 5.....	2
8		WELDMENT, LLLB	1
9	96112330	PIN, SPRING SECTION.....	1
10	98009043	HHCS, .50-13 X 5.00 GR 8 ZP/DT	4
11		WELDMENT, STOP, LIFT	2
12	98009013	LN, 1/2-13, NYLON INSERT, ZP/DT	6
13	98100448	HHCS, 1"-8 X 5", GR. 8, ZP/DT.....	2
14	96101465	TUBE, SPACER.....	2
15	98009053	HNILN, 1.00-8.....	2
16	98100451	TAPPED YOKE.....	2
17	98100450	ROD END- PARTIALLY THREADED	2
18	98009259	HHCS, 5/8-11 X 2.50".....	4
19		WELDMENT, HANDLE UPPER.....	1
20	98100095	HHCS, 1/2-13 X 1-3/4, GR 8, ZP/DT	2
21		WELDMENT, ATTACH MECHANISM.....	1
22	98100337	HHCS, 1/4"-20 x 1-3/4", GR. 8, ZP/DT	1
23		WELDMENT, CAM, ATTACH MECH.	2
24	96112417	HANDLE, HOOK-UP	2
25	96112604	PIN, LATCH PIVOT	2
26	96112603	TUBE, SPACER, LATCH PIVOT	2
27	98100447	HHCS, 1/4"-20 X 2, GR 8, ZP/DT	2
28	96112795	VRM (VEHICLE RECEIVER MOUNT)	1

NOTE: The Part Descriptions above use common industry standard abbreviations in the naming conventions. Reference "PART DESCRIPTION ABBREVIATIONS" on page 3 for a list of abbreviations used in this manual.

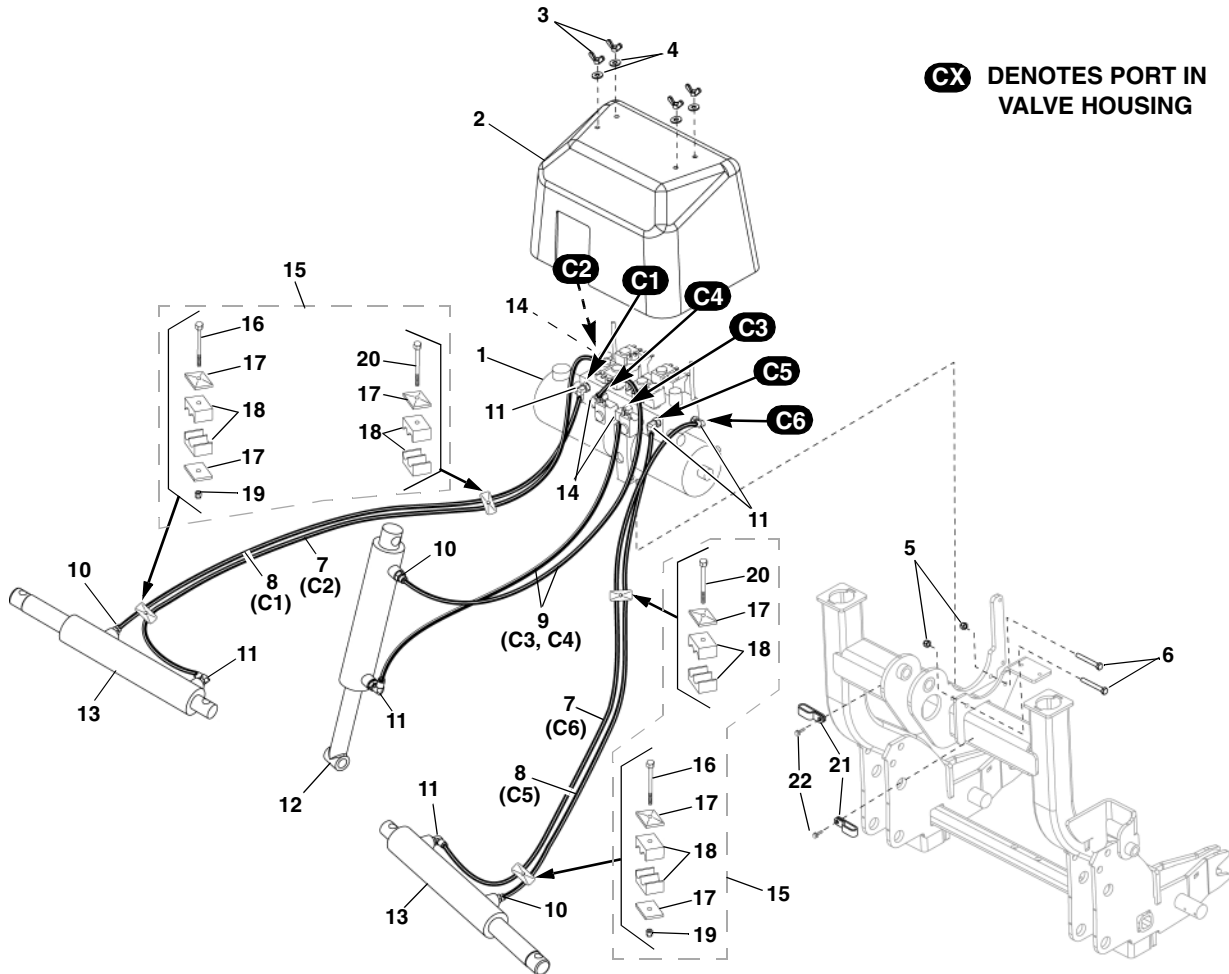
QUICKJACK™ STAND



ITEM	PART NO.	DESCRIPTION	QTY
0	96112436	QUICKJACK™ STAND KIT (INCLUDES ITEMS #1 THROUGH 15)	
1		WELDMENT, HANDLE, JACKSTAND	1
2		SPRING, JACKSTAND.....	1
3		HHCS. 1/2-13 X 1-1/2. GR 8, ZP/DT	4
4		LN, 1/2-13, NYLON INSERT, ZP/DT	6
5		HHCS, 1/2-13 X 3, GR 8, ZP/DT.....	2
6		WELDMENT, JACKSTAND MOUNT.....	1
7		HHCS, 7/16"-20 X 2 1/2" GR. 8, ZP/DT	1
8		BRCKT, JACK RETAINER	1
9		LN, 7/16"-20, GR. 8, ZP/DT	1
10		WELDMENT, FOOT	1
11		PIN, 1/4"-20, LAYNARD.....	1
12		HEX WASHER HEX SCREW, #8 X 1/2"	1
13		SPRING, JACKSTAND.....	1
14		BRACKET, RACHET PLATE.....	3
15		BRACKET, RACHET PLATE W/HANDLE.....	1

NOTE: The Part Descriptions above use common industry standard abbreviations in the naming conventions.
Reference "PART DESCRIPTION ABBREVIATIONS" on page 3 for a list of abbreviations used in this manual.

HYDRAULIC SYSTEM



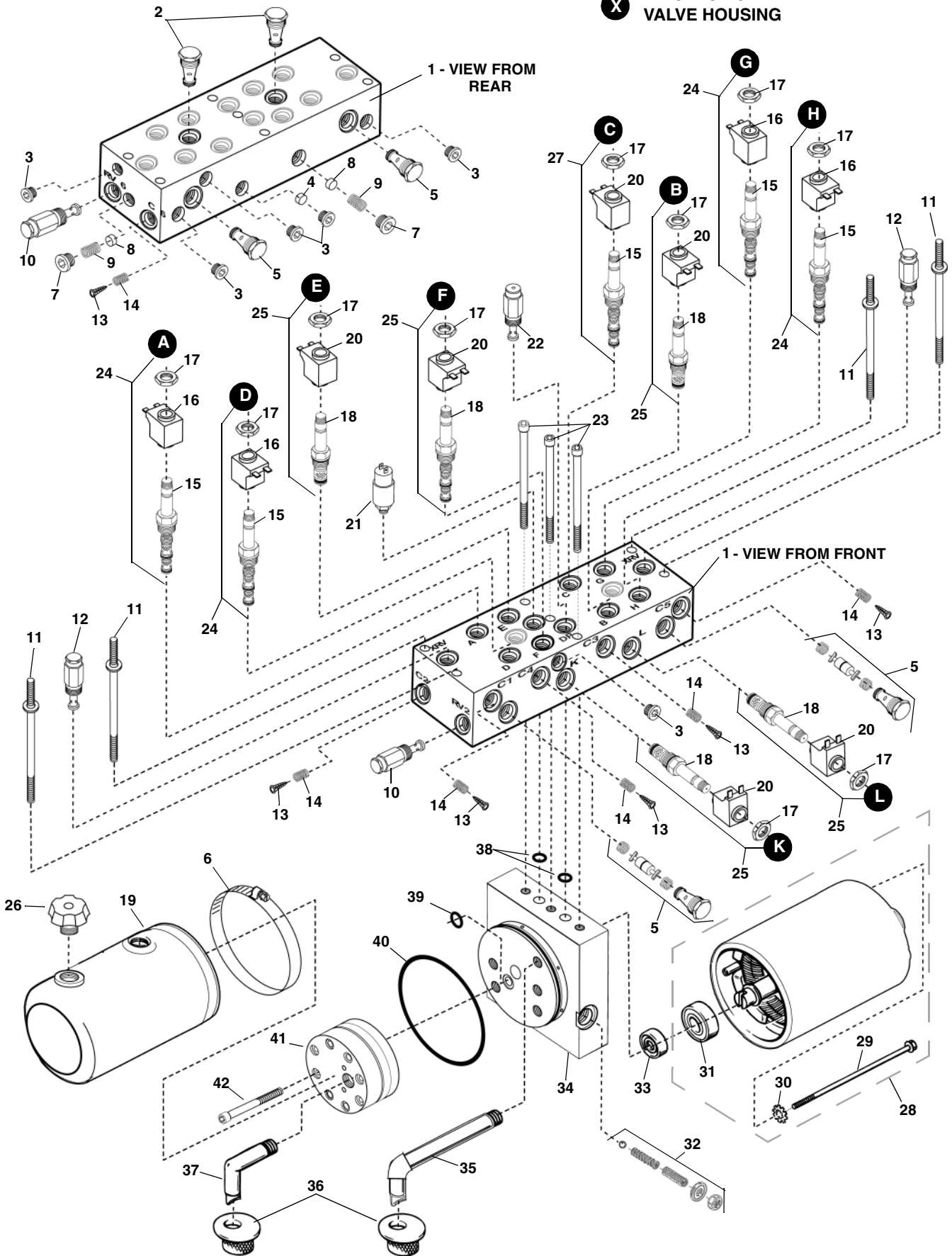
CX DENOTES PORT IN VALVE HOUSING

ITEM	PART NO.	DESCRIPTION	QTY
1	96111958	POWER UNIT, MBV	1
2	96112152	PUMP COVER, MBV	1
3	98100456	WING NUT, 5/16"-18 UNC, ZP/DT	4
4	98009230	PW, 5/16, W WIDE, ZP/DT	4
5	98009150	LN, 5/16-18, NYLON INSERT, ZP/DT	2
6	98009082	HHCS, .31"-18 X 2.50" GR 5 ZP/DT	2
7	96112910	HOSE, HYDRAULIC, 68.00" (VALVE PORT #C2 & C6)	2
8	96112917	HOSE, HYDRAULIC, 62.00" (VALVE PORT #C1 & C5)	2
9	96112919	HOSE, HYDRAULIC, 18.00" (VALVE PORT #C3 & C4)	2
10	96100000	FITTING, STRAIGHT CONNECTOR	3
11	96100001	FITTING, ELBOW 90°	6
12	96112611	CYLINDER, LIFT, 2" X 1" ROD (NOTE: REBUILD KIT NOT AVAILABLE)	1
13	96111453	CYLINDER, SWING, DA 2" X 9-1/2", MBV	2
14	96112332	FITTING, ELBOW, 90°, SWIVEL	3
15	96112909	KIT, HOSE CLAMP, MBV (INCLUDES ITEMS 16 THROUGH 20)	2
16		HHCS, .31-18 X 2.25 GR.5	1
17		CLAMP, TOP PLATE	3
18		CLAMP, PLASTIC MEDIUM	2
19		LN, .31 X-18, NYLOCK INSERT	1
20		SELF THREADING, HHS .31-18 X 2.00 GR.5 ZINC	1
21	96112500	CLAMP, HYDRAULIC HOSE	2
22	98100386	HWH, 5/16 X 1-1/4 TE X 3	2

NOTE: The Part Descriptions above use common industry standard abbreviations in the naming conventions. Reference "PART DESCRIPTION ABBREVIATIONS" on page 3 for a list of abbreviations used in this manual.

HYDRAULIC POWER UNIT

X DENOTES PORT IN VALVE HOUSING

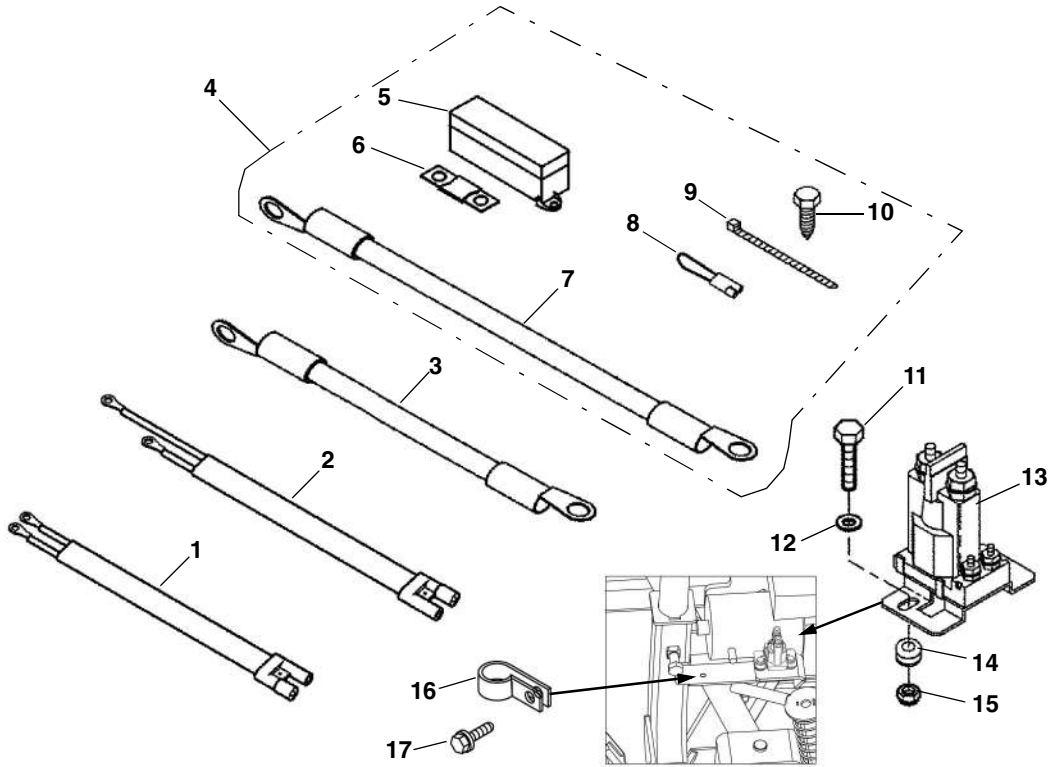


HYDRAULIC POWER UNIT

ITEM	PART NO.	DESCRIPTION	QTY
0	96111958	VALVE ASSY, V-PLOW	1
1		HOUSING, VALVE	1
		PLUG, EXPANDER, BALL TYPE 9 (NOT SHOWN)	15
2	96105238	VALVE, CHECK	2
3	96105234	FITTING, PLUG	6
4	96106102	PLUG, ORIFACE, #55	1
5	96112980	KIT, CHECK VALVE, DELTRO (INCLUDES 2 CHECK VALVES,	2
		1 PISTON ASSEMBLY AND 2 SPRINGS PER KIT)	
6	96105231	CLAMP	1
7	96105240	PLUG, SAE, O-RING, 9/16-18	2
8	96112551	POPPET, CHECK.....	2
9		SPRING, LIGHT, CHECK VALVE	2
10	96112552	VALVE, RELIEF CART, SIZE 8.....	2
11	96112410	WELDMENT, ATTACHMENT, PUMP COVER.....	4
12	96112553	VALVE, RELIEF CART	2
13	96105250	FILTER, INLINE.....	6
14	96105251	SPRING, RETAINING.....	6
15	96108324	VALVE, CARTRIDGE, 3W/2P, #8, HI-FLOW	5
16	96108323	COIL, 10VDC, #8 (BLACK)	4
17	96105275	NUT, COIL, PARKER.....	10
18	96108325	VALVE, CARTRIDGE, 2W/2P, NC, POPPET	5
19	96112556	RESERVOIR, PLASTIC.....	1
20	96111171	COIL, 10VDC, #8 (BLUE).....	6
21	96101976	SWITCH, PRESSURE.....	1
22	96105253	VALVE, RELIEF CARTRIDGE, SIZE 8.....	1
23	96105237	SCREW, SOCKET HEAD 1/4"-20 X 3".....	3
24	96108341	KIT, VALVE CARTRIDGE (INCLUDES ITEMS #15, 16, 17).....	4
25	96108342	KIT, VALVE CARTRIDGE (INCLUDES ITEMS #17, 18, 20).....	5
26	96105244	PLUG, BREATHER.....	1
27	96112584	KIT, VALVE CARTRIDGE (INCLUDES ITEMS #15, 17, 20).....	1
28	96105233	MOTOR, 12 VDC 4.5"	1
29		FHCS	2
30		WASHER, EXTERNAL TOOTH.....	2
31		BEARING, MOTOR BASE	1
32	96105313	KIT, RELIEF VALVE.....	1
33	96105317	SEAL, SHAFT.....	1
34		BASE ASSEMBLY, PUMP MB.....	1
35	96112558	PIPE ASSY, RETURN LINE MB.....	1
36	96105245	16.32 FILTER.....	2
37	96105737	TUBE, SUCTION, 90°, 3/8" NPT	1
38	96105314	O-RING (5/8" X 3/4" X 1/16").....	2
39	96105316	O-RING (1/2" X 5/8" X 1/16").....	1
40	96105315	O-RING (3-5/8" X 3-7/8" X 1/8")	1
41	96105735	PUMP ASSEMBLY	1
42		SHCS	4

NOTE: The Part Descriptions above use common industry standard abbreviations in the naming conventions.
Reference "PART DESCRIPTION ABBREVIATIONS" on page 3 for a list of abbreviations used in this manual.

POWER PACK WIRING



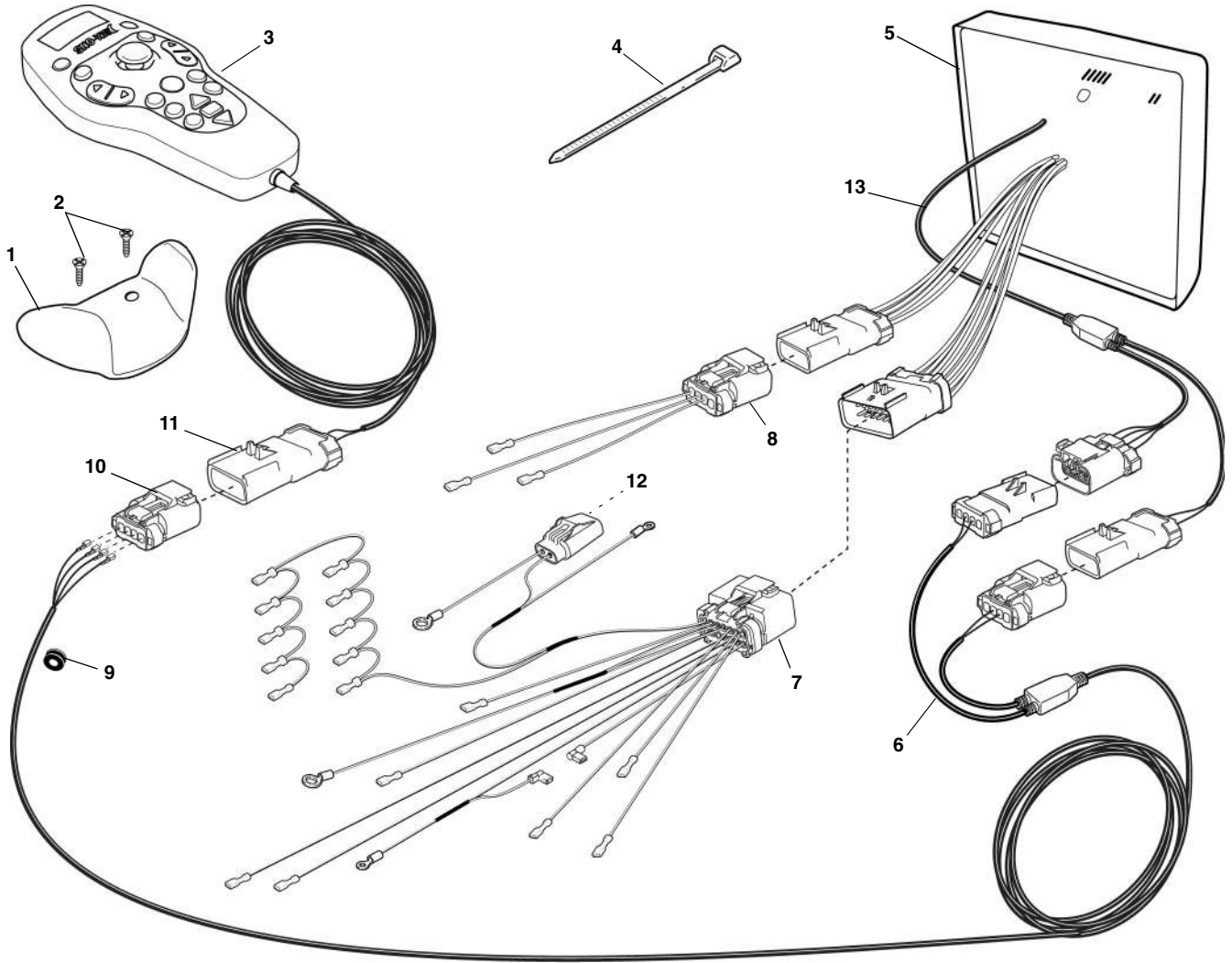
ITEM	PART NO.	DESCRIPTION	QTY
1	96104221	HARNES, BATTERY POWER	1
2	96104230	HARNES, PLOW POWER	1
3	96105273	HARNES, SOLENOID	1
4	96105167	BAG, POWER HARNES PARTS	1
5	96109143	FUSE HOLDER	1
6	96109142	FUSE, 250 AMP	1
7	96102891	CABLE, POWER	2
8	96105082	CAP, PROTECTIVE	2
9	96001227	STRAP, TIE PLASTIC	2
10	98100037	SCREW, SELF TAPPING, #10-16 x 1"	4
11	98100391	CAPSCREW, HEX, 1/4"-20 x 7/8"	2
12	98100254	WASHER, FLAT, 1/4"	2
13	96002086	SWITCH, SOLENOID	1
14	96105282	GROMMET, 3/8" ID	2
15	98100255	NUT, HEX HEAD NYLOCK, 1/4"-20	2
16	96101891	CLAMP, TUBE, VINYL COATED	1
17	98100386	HWH 5/16 X 1-1/4 TE X 3	1

NOTE: The Part Descriptions above use common industry standard abbreviations in the naming conventions.
 Reference "PART DESCRIPTION ABBREVIATIONS" on page 3 for a list of abbreviations used in this manual.

NOTES

PROCONTROL SYSTEM WIRING

With S.N. Before MBV100499

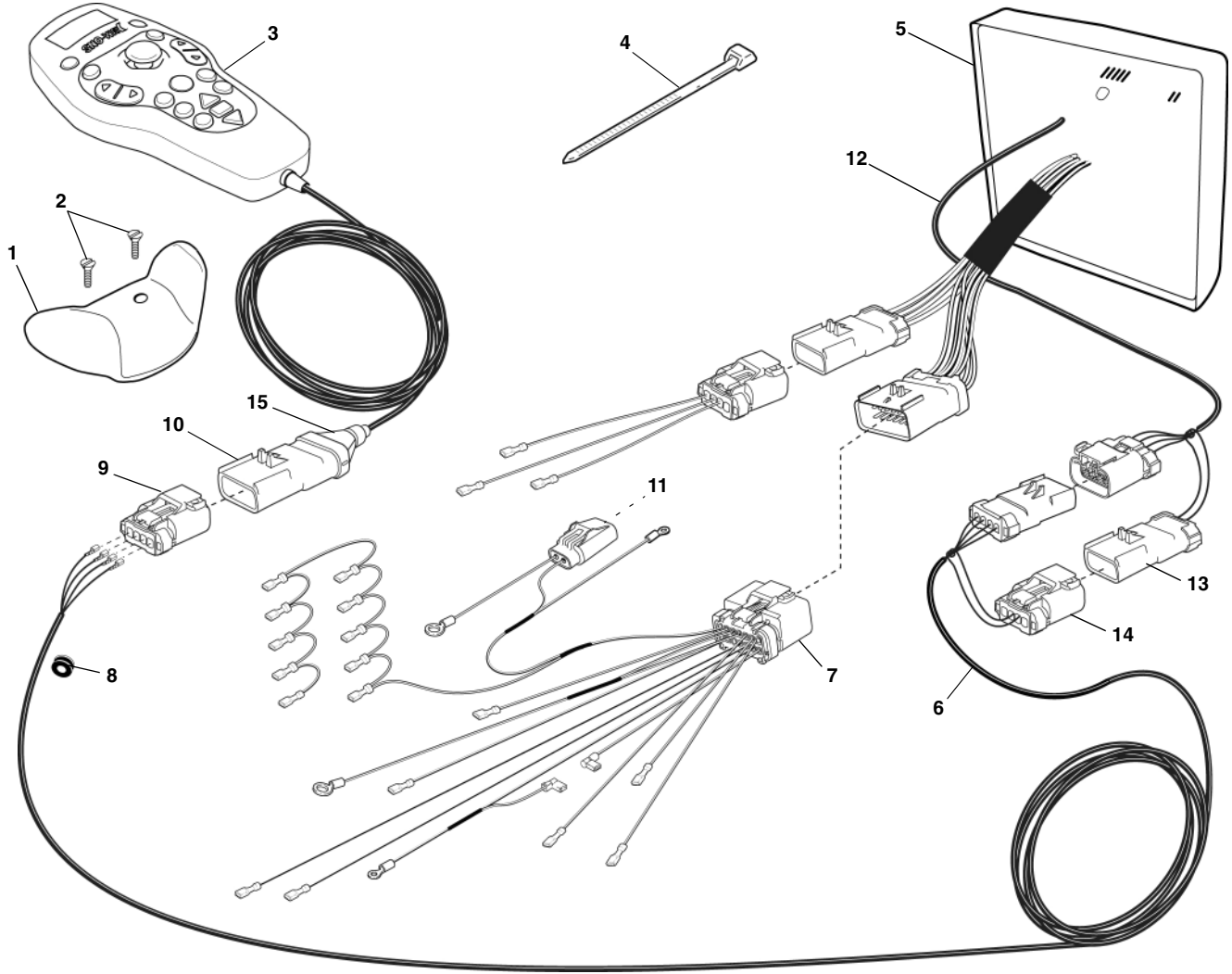


ITEM	PART NO.	DESCRIPTION	QTY
1		CLIP, DASH MOUNT	1
2		SCREW.....	2
3	96112246	TRANSMITTER, WIRED	1
4		STRAP, PLASTIC TIE	5
5	96112266	MODULE, RECEIVER, WIRED, UNIVERSAL.....	1
6	96112224	HARNESS, VEHICLE	1
7	96112192	HARNESS, CONTROL, SOLENOID, MBV.....	1
8	96112229	HARNESS, POWER UNIT, 4 WAY	1
9	96112419	RUBBER GROMMET	1
10	96112300	CONNECTOR, FEMALE 4 WAY APEX	1
	96108662	TERMINAL, FEMALE, 18/20 AWG (NOT SHOWN).....	1
11	96112301	CONNECTOR, MALE 4 WAY APEX.....	1
	96108661	TERMINAL, MALE, 18/22 AWG (NOT SHOWN)	1
12	96112497	FUSE, 20 AMP (NOT SHOWN - IN HOLDER)	1
13	96112506	KIT, MODULE HARNESS REPAIR, PROCONTROL WIRED.....	1

NOTE: The Part Descriptions above use common industry standard abbreviations in the naming conventions.
Reference "PART DESCRIPTION ABBREVIATIONS" on page 3 for a list of abbreviations used in this manual.

PROCONTROL SYSTEM WIRING

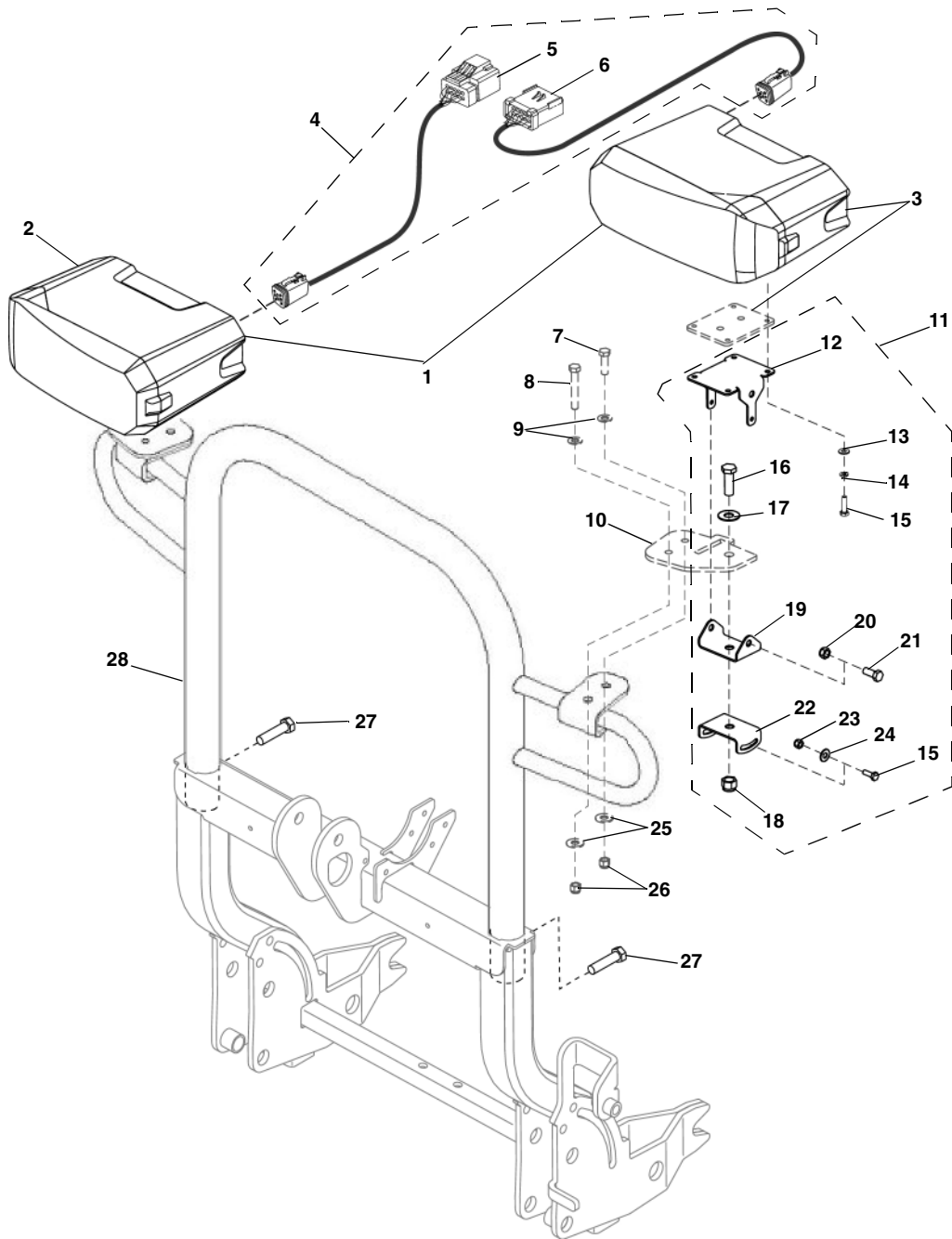
With S.N. After MBV100500



ITEM	PART NO.	DESCRIPTION	QTY
1		CLIP, DASH MOUNT	1
2		SCREW	2
3	96112246	TRANSMITTER, WIRED	1
	96112244	TRANSMITTER, WIRELESS.....	1
4		STRAP, PLASTIC TIE.....	5
5	96112915	MODULE, RECEIVER, WIRED, UNIVERSAL.....	1
	96112260	MODULE, RECEIVER, WIRELESS, UNIVERSAL	1
6	96112913	HARNESS, VEHICLE	1
7	96112192	HARNESS, CONTROL, SOLENOID, MBV	1
8	96112419	RUBBER GROMMET	1
9	96112300	CONNECTOR, FEMALE 4 WAY APEX	1
	96108662	TERMINAL, FEMALE, 18/20 AWG (NOT SHOWN)	1
10	96112301	CONNECTOR, MALE 4 WAY APEX	1
	96108661	TERMINAL, MALE, 18/22 AWG (NOT SHOWN)	1
11	96112497	FUSE, 20 AMP (NOT SHOWN - IN HOLDER).....	1
12	96112931	KIT, MODULE HARNESS REPAIR, PROCONTROL WIRED (NOT SHOWN).....	1
13	96112872	CAP, STORAGE, MALE.....	1
14	96112871	CAP, STORAGE, FEMALE.....	1
15	96112840	STRAIN RELIEF	1

NOTE: The Part Descriptions above use common industry standard abbreviations in the naming conventions.
Reference "PART DESCRIPTION ABBREVIATIONS" on page 3 for a list of abbreviations used in this manual.

AUXILIARY LIGHTING



AUXILIARY LIGHTING

ITEM	PART NO.	DESCRIPTION	QTY
1	96113241	KIT, LIGHT, EIS DUAL COMPOSITE (INCLUDES ITEM #2, 3 & 11)	1
2	96113243	ASSY, LIGHT, EIS, PS	1
3	96113242	ASSY, LIGHT, EIS, DS	1
4	96110260	KIT, HARNESS, PLOW LIGHT, EIS	1
5	96108117	CONNECTOR, FEMALE.....	1
6	96108116	CONNECTOR, MALE	1
7	98009034	HHCS, 3/8"-16 X 1-1/4".....	2
8	98009134	HHCS, 3/8"-16 X 2-1/2".....	2
9	98009032	PW, 3/8", A NARROW	4
10	96113174	PLATE, ADAPTER, LIGHT MEGA.....	2
11	96114348	KIT, LIGHT MOUNT (INCLUDES #12 - 24)	2
12		BRACKET, LIGHT MOUNT, MEGABLADE.....	1
13		FLAT WASHER, 1/4", STAINLESS STEEL.....	4
14		LOCK WASHER, 1/4", STAINLESS STEEL	4
15		CAPSCREW, HEX HEAD, 1/4"-20 x 1", STAINLESS STEEL.....	6
16		CAPSCREW, HEX HEAD, 1/2"-13 x 1-1/4", STAINLESS STEEL	1
17		FLAT WASHER, 1-1/4" OD, 17/16" ID, 5/8" THICK, STAINLESS STEEL	1
18		LOCKNUT, 1/2"-13, NYLON INSERT	1
19		BRACKET, LIGHT BAR	1
20		LOCKNUT, 3/8"-16, NYLON INSERT, STAINLESS STEEL.....	2
21		CAPSCREW, HEX HEAD, 3/8"-16 x 7/8", STAINLESS STEEL.....	2
22		BRACKET, LOCK.....	1
23		LOCKNUT, 1/4"-20, NYLON INSERT, STAINLESS STEEL.....	2
24		FLAT WASHER, 1/4", STAINLESS STEEL.....	2
25	98100483	PW, 3/8" TYPE A, WIDE	4
26	98009009	LN, 3/8"-16, NYLON INSERT	4
27	98009115	HHCS, 5/8"-11 X 1.50" GR 8 ZP/DT	2
28	96112902	WELDMENT, ULB.....	1

NUMERICAL INDEX

PART NO.	PAGE	ITEM
96001227	11	9
96001392	4	13
96002086	11	13
96100000	4	19
	8	10
96100001	4	20
	8	11
96101465	6	14
96101891	11	16
96101976	10	21
96102891	11	7
96104221	11	1
96104230	11	2
96105082	11	8
96105167	11	4
96105231	10	6
96105233	10	28
96105234	10	3
96105237	10	23
96105238	10	2
96105240	10	7
96105244	10	26
96105245	10	36
96105250	10	13
96105251	10	14
96105253	10	22
96105273	11	3
96105275	10	17
96105282	11	14
96105313	10	32
96105314	10	38
96105315	10	40
96105316	10	39
96105317	10	33
96105735	10	41
96105737	10	37
96106102	10	4
96108116	16	6
96108117	16	5
96108323	10	16
96108324	10	15
96108325	10	18
96108341	10	24
96108342	10	25
96108661	13	11
	14	10
96108662	13	10
	14	9
96109142	11	6
96109143	11	5
96110260	16	4
96111000	4	29
96111064	4	16
96111065	4	15

PART NO.	PAGE	ITEM
96111066	4	17
96111171	10	20
96111245	6	4
96111453	4	32
	8	13
96111940	4	26
96111951	4	6
96111958	8	1
	10	0
96112152	8	2
96112192	13	7
	14	7
96112217	4	21
96112220	4	1
96112224	13	6
96112229	13	8
96112244	14	3
96112246	13	3
	14	3
96112260	14	5
96112266	13	5
96112300	13	10
	14	9
96112301	13	11
	14	10
96112330	6	9
96112332	8	14
96112333	4	31
96112352	5	1
96112410	10	11
96112417	6	24
96112419	13	9
	14	8
96112436	7	0
96112497	13	12
	14	11
96112500	8	21
96112506	13	13
96112551	10	8
96112552	10	10
96112553	10	12
96112556	10	19
96112558	10	35
96112584	10	27
96112603	6	26
96112604	6	25
96112611	4	23
	8	12
96112630	4	34
96112795	6	28
96112840	14	15
96112841	4	9
96112844	4	14
96112871	14	14

PART NO.	PAGE	ITEM
96112872	14	13
96112902	16	28
96112909	8	15
96112910	8	7
96112913	14	6
96112915	14	5
96112917	8	8
96112919	8	9
96112931	14	12
96112980	10	5
96113174	16	10
96113241	16	1
96113242	16	3
96113243	16	2
96113318	5	12
96113319	5	13
96113364	5	10
96113365	5	9
96114348	16	11
98009001	5	8
98009003	5	7
98009009	16	26
98009010	4	8
98009013	4	11
	5	5
	6	12
98009023	4	4
98009024	4	3
98009027	6	7
98009032	16	9
98009034	16	7
98009038	6	1
98009043	6	10
98009053	6	15
98009069	6	2
98009078	4	10
98009082	8	6
98009085	4	22
98009115	16	27
98009134	16	8
98009149	4	2
98009150	4	5
	8	5
98009230	8	4
98009259	6	18
98100007	4	24
98100037	11	10
98100095	6	20
98100254	11	12
98100255	6	6
	11	15
98100337	6	22
98100386	8	22
	11	17

NUMERICAL INDEX

PART NO.	PAGE	ITEM
98100391	11	11
98100436	4	25
98100439	6	3
98100440	4	30
98100441	4	18
	4	33
98100447	6	27
98100448	6	13
98100450	6	17
98100451	6	16
98100453	4	28
98100454	4	27
98100455	4	7
98100456	8	3
98100457	4	12
98100481	5	4
98100482	5	6
98100483	16	25
99100980	5	2

PART NO.	PAGE	ITEM
----------	------	------

PART NO.	PAGE	ITEM
----------	------	------

SNO-WAY® INTERNATIONAL, INC.

SNO-WAY
SNOW & ICE CONTROL EQUIPMENT

Hartford, WI 53027 USA
Website: www.snoway.com
©2012 Sno-Way® International