

SNO-WAY®

SNOW & ICE CONTROL EQUIPMENT

SERVICE PARTS MANUAL

MEGABLADE™ CONTRACTOR SERIES SNOW PLOW

WITH SERIAL NUMBER AFTER
MBC100000

Sno-Way® , Down Pressure® and EIS® are registered trademarks of Sno-Way International, Inc.
ProControl™ , MegaBlade™ , V-Wing™ , E-Z Switch™ , Revolution™ , MaxAdjust™ , SpeedLock™ , and QuickJack™
are trademarks of Sno-Way International, Inc.

©2009 Sno-Way® International

97101501C

TABLE OF CONTENTS

	Page
PARTS LIST INTRODUCTION.....	2
USING THIS PARTS LIST	2
PART DESCRIPTION ABBREVIATIONS	2
BLADE/GUIDES	3
A-FRAME/SPRINGS.....	4
LOWER LIGHT BAR ASSEMBLY (LLLB).....	5
QUICKJACK™ STAND.....	6
HYDRAULIC POWER UNIT	7
HYDRAULIC SYSTEM	9
HYDRAULIC SWING CYLINDERS.....	10
PROCONTROL™ SYSTEM WIRING - S.N. BEFORE MBC100499	11
PROCONTROL™ SYSTEM WIRING - S.N. AFTER MBC100500	12
POWER PACK WIRING	13
AUXILIARY LIGHTING	14
NUMERICAL INDEX	15

PARTS LIST INTRODUCTION

Our dealership network stands by to provide you with any assistance you may require, including genuine Sno-Way service parts. All parts should be obtained from or ordered through your dealer. Give complete information about the part as well as the Model Number and Serial Number of your machine.

Record the Serial Number in the space provided in your Owner's Manual for quick reference. The Serial Number for the unit is on a plate located on the left frame gusset of the Hopper Frame.

"Right" and "Left" are determined from a position sitting on the Operators Seat of the vehicle.

We reserve the right to make changes or improvements in the design or construction of any part without incurring the obligation to install such changes in any unit previously delivered.

USING THIS PARTS LIST

Below is parts listing with four columns. The first column is the "ITEM", the second is the "PART NUMBER", The third is the "DESCRIPTION" and the fourth is the "QUANTITY".

The **"ITEM"** is the number used in the corresponding illustration.

The **"PART NO."** is the number used to order replacement parts. If a number does not appear in the column the part is only available by ordering the complete assembly.

The **"DESCRIPTION"** is the name of the replacement part. At times the name may be indented, this means that the indented parts are part of the preceding assembly.

The **"QTY."** is the quantity needed to service the assembly illustrated, not the complete product.

ITEM	PART NO.	DESCRIPTION	QTY.
1	96100083	O-ring	1
2	96001529	Elbow	3
3	98100036	Capscrew, Hex.,3/8"-16NC x 7/8"	9

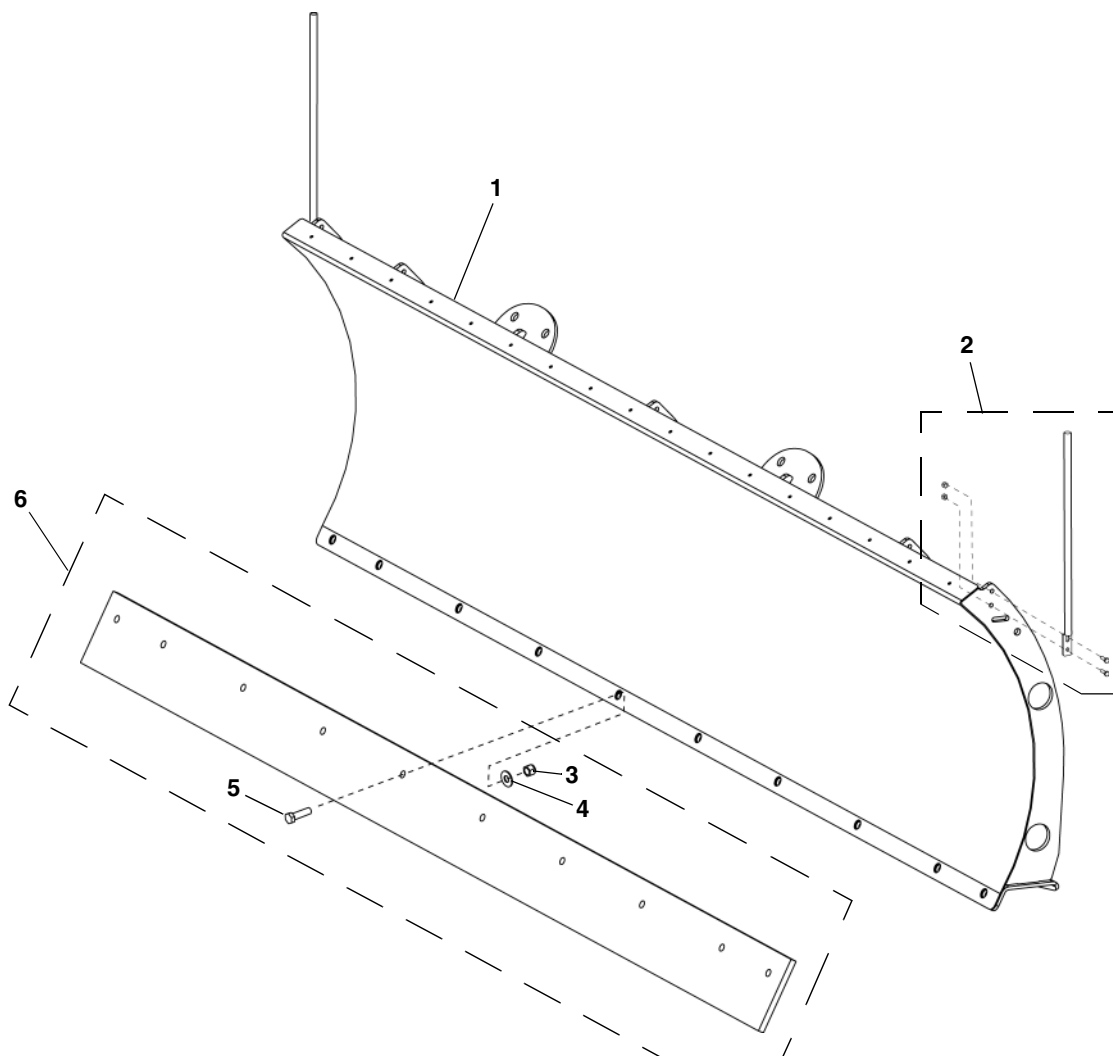
PART DESCRIPTION ABBREVIATIONS

Our Part Descriptions use common industry standard abbreviations in the naming conventions for many individual items. The list below details the abbreviations commonly used throughout this manual. If a specific abbreviation is not listed, contact any Sno-Way Dealer for clarification.

ABBREV.	DESCRIPTION
BRKT	BRACKET
CB	CARRIAGE BOLT
CLP	CLEVIS PIN
COTP	COTTER PIN
DP	DOWN PRESSURE
DS	DRIVER SIDE
EB	EYE BOLT
GR	GRADE
HDWE	HARDWARE
HHCS	HEX HEAD CAP SCREW
HN	HEX NUT
HNILN	HEX NYLON INSERT LOCKNUT

ABBREV.	DESCRIPTION
HW	HARD WIRED
HWH	HEX WASHER HEAD
LN	LOCK NUT
LW	HELICAL LOCK WASHER
PS	PASSENGER SIDE
PW	PLAIN FLAT WASHER
SHCS	SOCKET HEAD CAP SCREW
SLT	SLOTTED
SS	STAINLESS STEEL
ST	SELF-THREADING
UB	U-BOLT
WL	WIRELESS

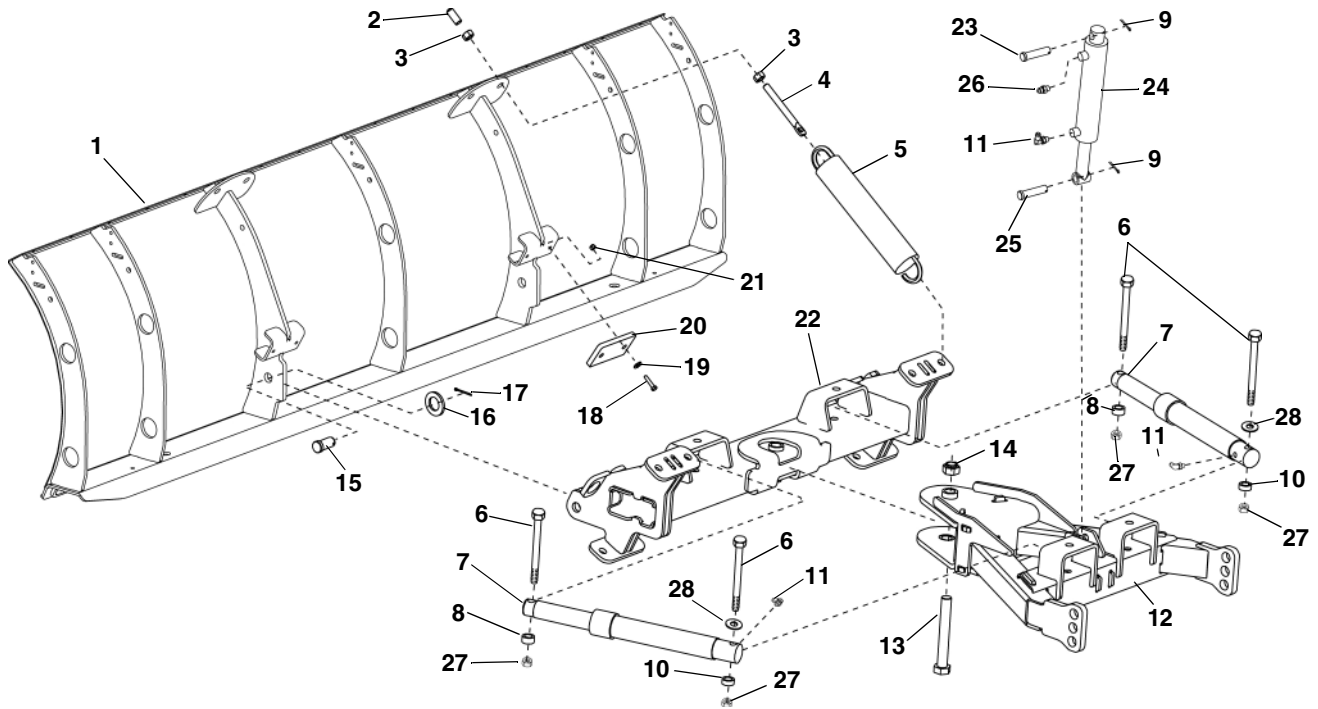
BLADE/GUIDES



ITEM	PART NO.	DESCRIPTION	QTY
1	96112200	WELDMENT, BLADE FRAME, MBC, 102"	1
2	96112352	KIT, BLADE GUIDE-YELLOW	2
		HHCS, 5/16-18 X1" SS (INCLUDED WITH ITEM #2)	2
		LN, 5/16"-18, SS (INCLUDED WITH ITEM #2)	2
3	98009013	LN, 1/2-13, NYLON INSERT, ZP/DT	10
4	98100476	PW, 1/2", .195/.170 THICK, HARDENED, ZP/DT	10
5	98100475	CB, 1/2"-13 X 2", GR 8, ZP/DT	10
6	96112728	KIT, WEARSTRIP, MBC, 102" (INCLUDES ITEMS #3-5)	1

NOTE: The Part Descriptions above use common industry standard abbreviations in the naming conventions.
Reference "PART DESCRIPTION ABBREVIATIONS" on page 3 for a list of abbreviations used in this manual.

A-FRAME/SPRINGS



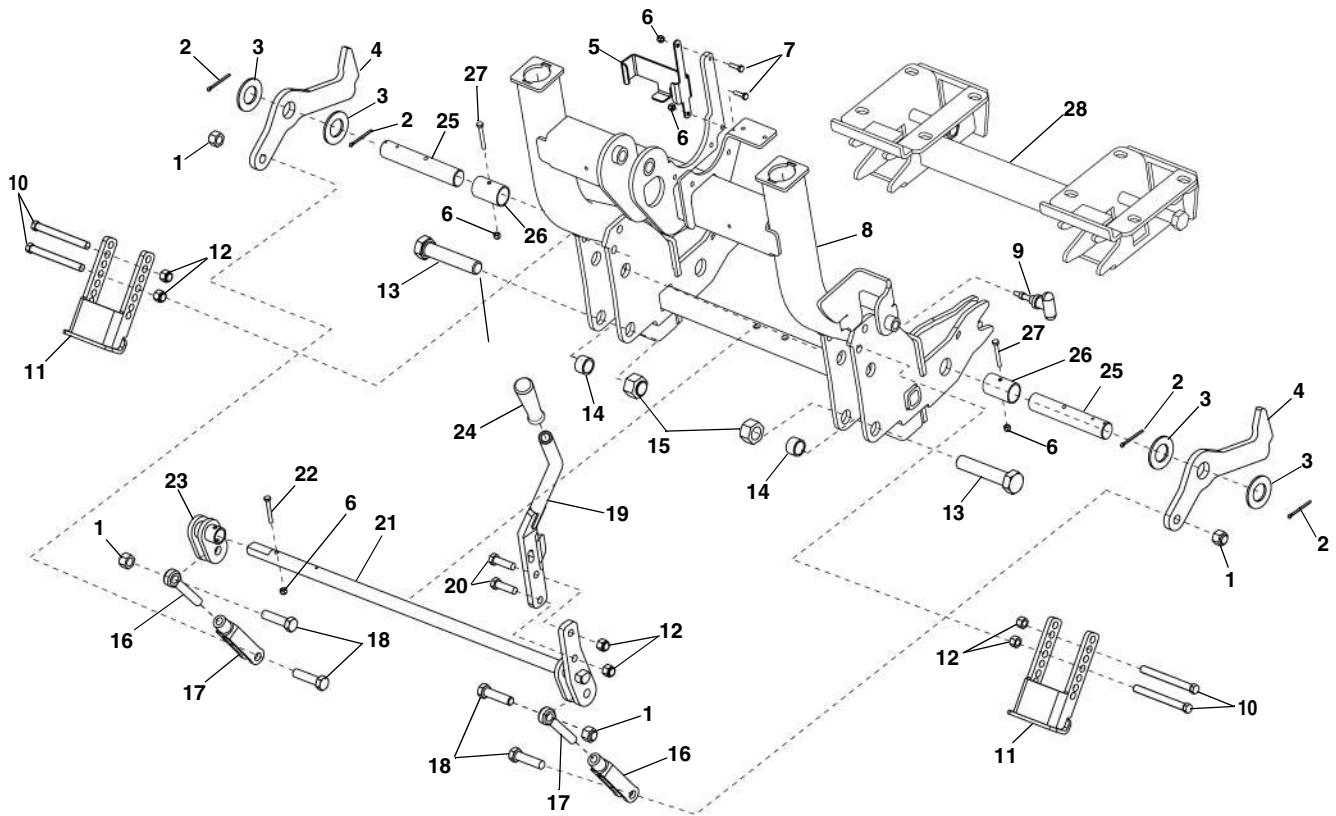
ITEM	PART NO.	DESCRIPTION	QTY
1	96112200	WELDMENT, BLADE FRAME, MBC, 102"	1
2	96112336	PROTECTIVE CAP, EYE BOLT	2
3	98009078	HN, .62"-11, ZINC	4
4	98009037	EB, .62"-11 X 6.0", ZP/DT	2
5	96001392	SPRING, TRIP.....	2
6	98100468	HHCS, 3/4"-10 x 8, GR. 8, ZP/DT	4
7	96112184	CYLINDER, SWING, SA, 1 1/2" X 11, MBC.....	2
8	96112333*	BUSHING, .750 X .813 I.D. X 1.25 O.D.	2
9	98009085	COPT, 5/32 X 1 1/2, ZP	2
10	96112334*	BUSHING, .630 X .813 I.D. X 1.25 O.D.	2
11	96100001	FITTING, ELBOW 90°	3
12	96111960	WELDMENT, A-FRAME, MBC & MBR.....	1
13	98100006	HHCS, 1-14 X 7 1/2, GR 8, ZP/DT	1
14	98100294	HLN, 1.00-14, ZP/DT.....	1
15	98100433	CLP, 1" X 2", GR. 5, ZP/DT	2
16	98009005	PW, 1, A NARROW, ZP/DT	2
17	98100452	COTP, 5/32" X 1 3/4", ZP/DT	2
18	98009023	HHCS, .31"-18 X 1.5", GR. 8, ZINC	4
19	98009230	PW, 5/16, W WIDE, ZP/DT	4
20	96112439	KIT, STOP BLADE (INCLUDES ITEMS 18, 19, 20, 21)	1
21	98009150	LN, 5/16-18, NYLON INSERT, ZP/DT	4
22	96110192	WELDMENT, SWING FRAME, MBC & MBR	1
23	98100441	CLP, 3/4" X 5" GR. 5, ZP/DT	1
24	96112611	CYLINDER, LIFT, 2" X 1" ROD (NOTE: REBUILD KIT NOT AVAILABLE).....	1
25	98100040	PIN, CLEVIS.....	1
26	96100000	FITTING, STRAIGHT CONNECTOR	1
27	98009003	LN, 3/4"-10, NYLON INSERT, ZP/DT	4
28	98009030	PW, 3/4, A NARROW, ZP/DT	2
	96112440	KIT, HDWE, MBC BLADE (INCLUDES ITEMS #2-4, 14-16)1	

NOTE: *Items 8 and 10 may not be needed if bushings are welded into A-Frame or Swing Frame.

The Part Descriptions above use common industry standard abbreviations in the naming conventions.

Reference "PART DESCRIPTION ABBREVIATIONS" on page 3 for a list of abbreviations used in this manual.

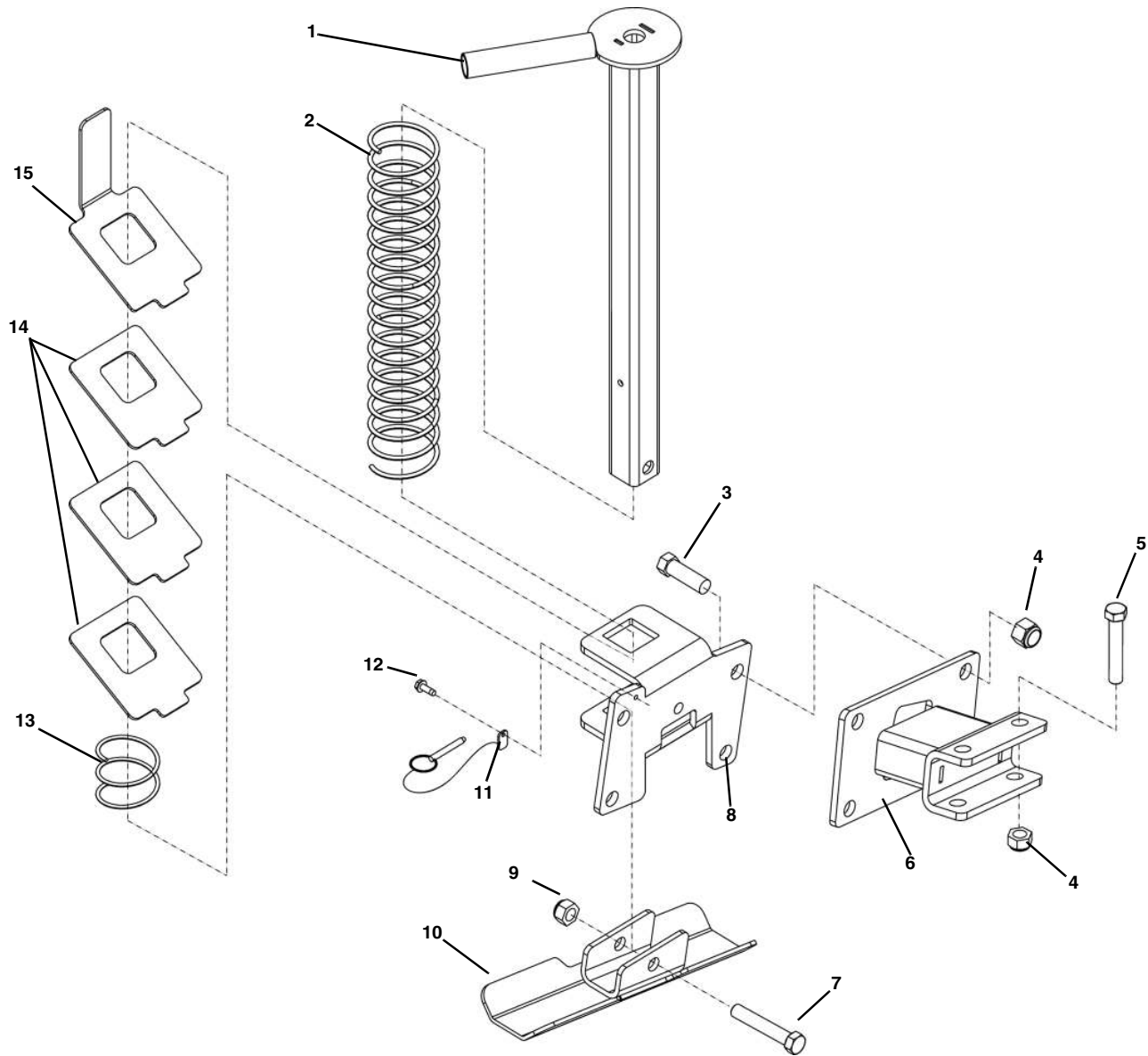
LOWER LIGHT BAR ASSEMBLY (LLLB)



ITEM	PART NO.	DESCRIPTION	QTY
1	98009038	LN, 5/8-11, NYLON INSERT, ZP/DT	8
2	98009069	COPT, 5/32 X 2, ZP/DT	4
3	98100439	PW, 1.25" A NARROW, ZP/DT	4
4	96111245	LATCH	2
5	96112180	BRACKET, RECEIVER.....	1
6	98100255	LN, 1/4-20, NYLON INSERT, ZP/DT	5
7	98009027	HHCS, .25"-20 X 1.00" GRADE 5	2
8	96111240	WELDMENT, LLLB	1
9	96112330	PIN, SPRING SECTION.....	1
10	98009043	HHCS, .50-13 X 5.00 GR 8 ZP/DT	4
11	96112077	WELDMENT, STOP, LIFT	2
12	98009013	LN, 1/2-13, NYLON INSERT, ZP/DT	6
13	98100448	HHCS, 1"-8 X 5", GR. 8, ZP/DT	2
14	96101465	TUBE, SPACER.....	2
15	98009053	HNILN, 1.00-8	2
16	98100451	TAPPED YOKE.....	2
17	98100450	ROD END- PARTIALLY THREADED.....	2
18	98009259	HHCS, 5/8-11 X 2.50"	4
19	96112307	WELDMENT, HANDLE UPPER	1
20	98100095	HHCS, 1/2-13 X 1-3/4, GR 8, ZP/DT	2
21	96111458	WELDMENT, ATTACH MECHANISM.....	1
22	98100337	HHCS, 1/4"-20 x 1-3/4", GR. 8, ZP/DT.....	1
23	96112292	WELDMENT, CAM, ATTACH MECH.	1
24	96112417	HANDLE, HOOK-UP.....	2
25	96112604	PIN, LATCH PIVOT.....	2
26	96112603	TUBE, SPACER, LATCH PIVOT.....	2
27	98100447	HHCS, 1/4"-20 X 2, GR 8, ZP/DT.....	2
28	96112795	VRM (VEHICLE RECEIVER MOUNT).....	1

NOTE: The Part Descriptions above use common industry standard abbreviations in the naming conventions.
Reference "PART DESCRIPTION ABBREVIATIONS" on page 3 for a list of abbreviations used in this manual.

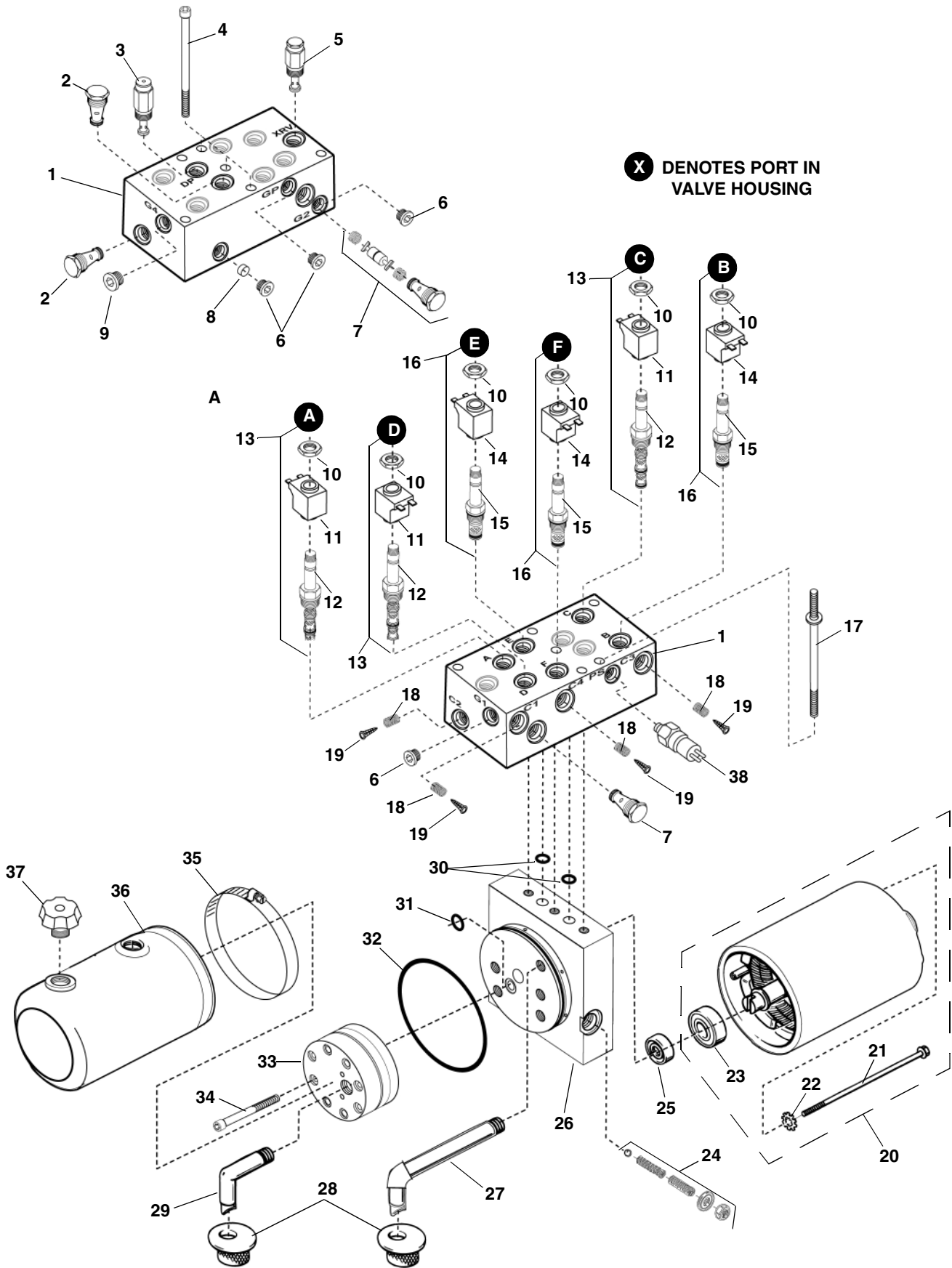
QUICKJACK™ STAND



ITEM	PART NO.	DESCRIPTION	QTY
0	96112436	QUICKJACK™ STAND KIT (INCLUDES ITEMS #1 THROUGH 15)	
1	96112323	WELDMNT, HANDLE, JACKSTAND.....	1
2	96112012	SPRING, JACKSTAND.....	1
3	98009010	HHCS. 1/2-13 X 1 1/2. GR 8, ZP/DT.....	4
4	98009013	LN, 1/2-13, NYLON INSERT, ZP/DT.....	6
5	98009017	HHCS, 1/2-13 X 3, GR 8, ZP/DT.....	2
6	96112171	WELDMNT, JACKSTAND MOUNT.....	1
7	98100393	HHCS, 7/16"-20 X 2 1/2" GR. 8, ZP/DT.....	1
8	96112009	BRCKT, JACK RETAINER.....	1
9	98100395	LN, 7/16"-20, GR. 8, ZP/DT.....	1
10	96112175	WELDMNT, FOOT.....	1
11	98100462	PIN, 1/4"-20, LAYNARD.....	1
12	98100464	HEX WASHER HEX SCREW, #8 X 1/2".....	1
13	96112013	SPRING, JACKSTAND.....	1
14	96112011	BRACKET, RACHET PLATE.....	3
15	96112166	BRACKET, RACHET PLATE W/HANDLE.....	1

NOTE: The Part Descriptions above use common industry standard abbreviations in the naming conventions. Reference "PART DESCRIPTION ABBREVIATIONS" on page 3 for a list of abbreviations used in this manual.

HYDRAULIC POWER UNIT

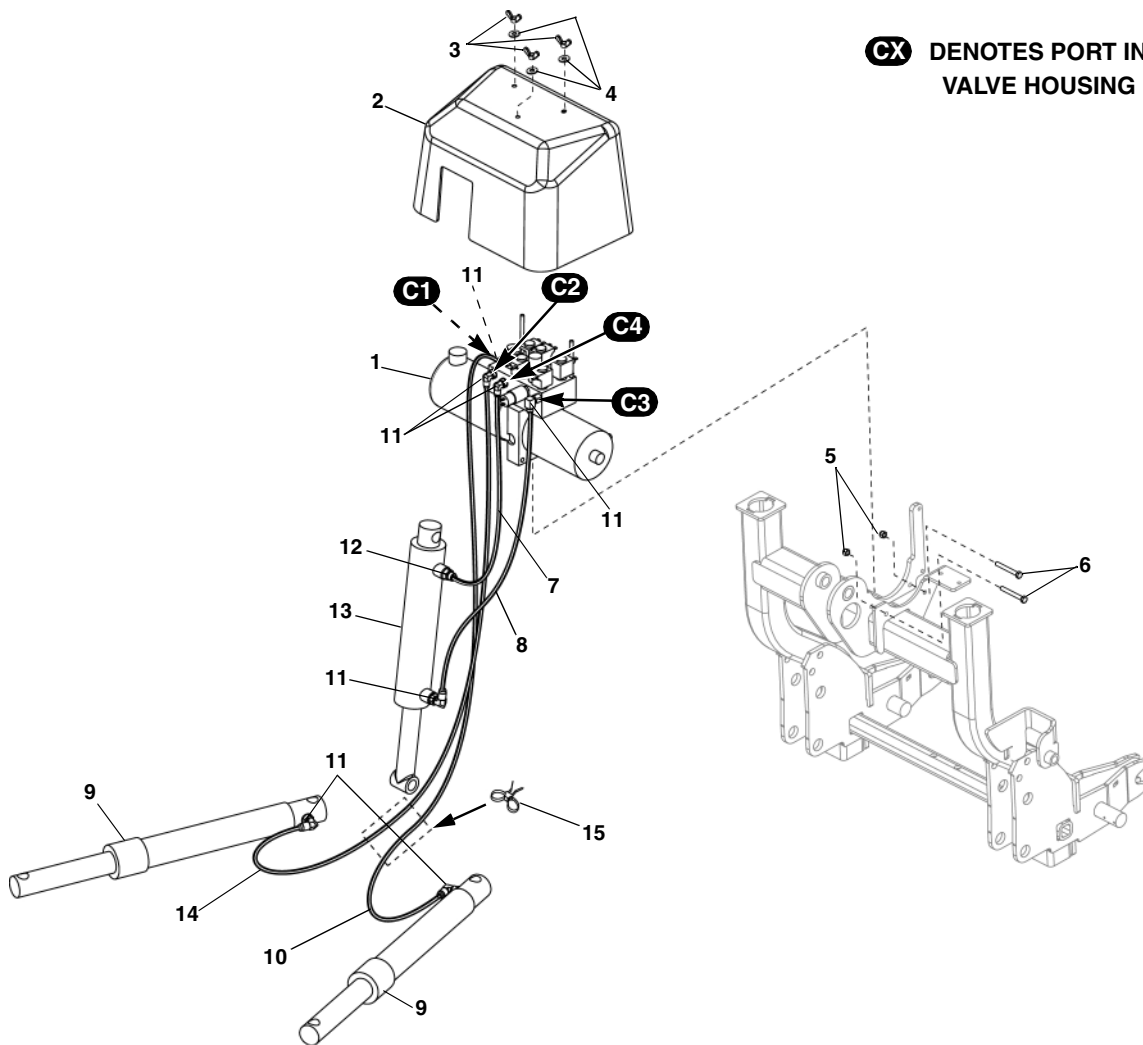


HYDRAULIC POWER UNIT

ITEM	PART NO.	DESCRIPTION	QTY
0		VALVE ASSEMBLY	1
1		HOUSING, VALVE	1
		PLUG, EXPANDER, BALL TYPE 9 (NOT SHOWN).....	11
2	96105238	VALVE, CHECK	2
3	96105253	VALVE, RELIEF CARTRIDGE, SIZE 8	1
4	96105237	SCREW, SOCKET HEAD 1/4"-20 X 3"	3
5	96112599	VALVE, RELIEF CART	1
6	96105234	FITTING, PLUG	4
7	96112948	KIT, CHECK VALVE, DELTRO	2
		VALVE, PISTON ASSMBLY	1
8	96106102	PLUG, ORIFACE, #55.....	1
9	96105240	PLUG, SAE, O-RING, 9/16-18.....	1
10	96105275	NUT, COIL, PARKER	6
11	96108323	COIL, 10VDC, #8 (BLACK).....	3
12	96108324	VALVE, CARTRIDGE, 3W/2P, #8, HI-FLOW.....	3
13	96108341	VALVE, SOLENOID, 3W/2POS, 10V (INCLUDES ITEMS #10, 11, 12).....	3
14	96111171	COIL, 10VDC, #8 (BLUE).....	3
15	96108325	VALVE, CARTRIDGE, 2W/2P, NC, POPPET	3
16	96112583	KIT, VALVE CARTRIDGE (INCLUDES ITEMS #10, 14, 15)	3
17	96112410	WELDMENT, ATTACHMENT, PUMP COVER.....	3
18	96105250	FILTER, INLINE	4
19	96105251	SPRING, RETAINING	4
20	96105233	MOTOR, 12 VDC 4.5"	1
21		FHCS.....	2
22		WASHER, EXTERNAL TOOTH.....	2
23		BEARING, MOTOR BASE.....	1
24	96105313	KIT, RELIEF VALVE	1
25	96105317	SEAL, SHAFT	1
26		BASE ASSEMBLY	1
27	96112558	TUBE ASSEMBLY, RETURN	1
28	96105245	16.32 FILTER	2
29	96105737	TUBE, SUCTION, 90°, 3/8" NPT	1
30	96105314	O-RING (5/8" X 3/4" X 1/16").....	2
31	96105316	O-RING (1/2" X 5/8" X 1/16").....	1
32	96105315	O-RING (3-5/8" X 3-7/8" X 1/8")	1
33	96105735	PUMP ASSEMBLY.....	1
34		SHCS	4
35	96105231	CLAMP	1
36	96112556	RESERVOIR, PLASTIC	1
37	96105244	PLUG, BREATHER.....	1
38	96101976	SWITCH, PRESSURE	1

NOTE: The Part Descriptions above use common industry standard abbreviations in the naming conventions. Reference "PART DESCRIPTION ABBREVIATIONS" on page 3 for a list of abbreviations used in this manual.

HYDRAULIC SYSTEM

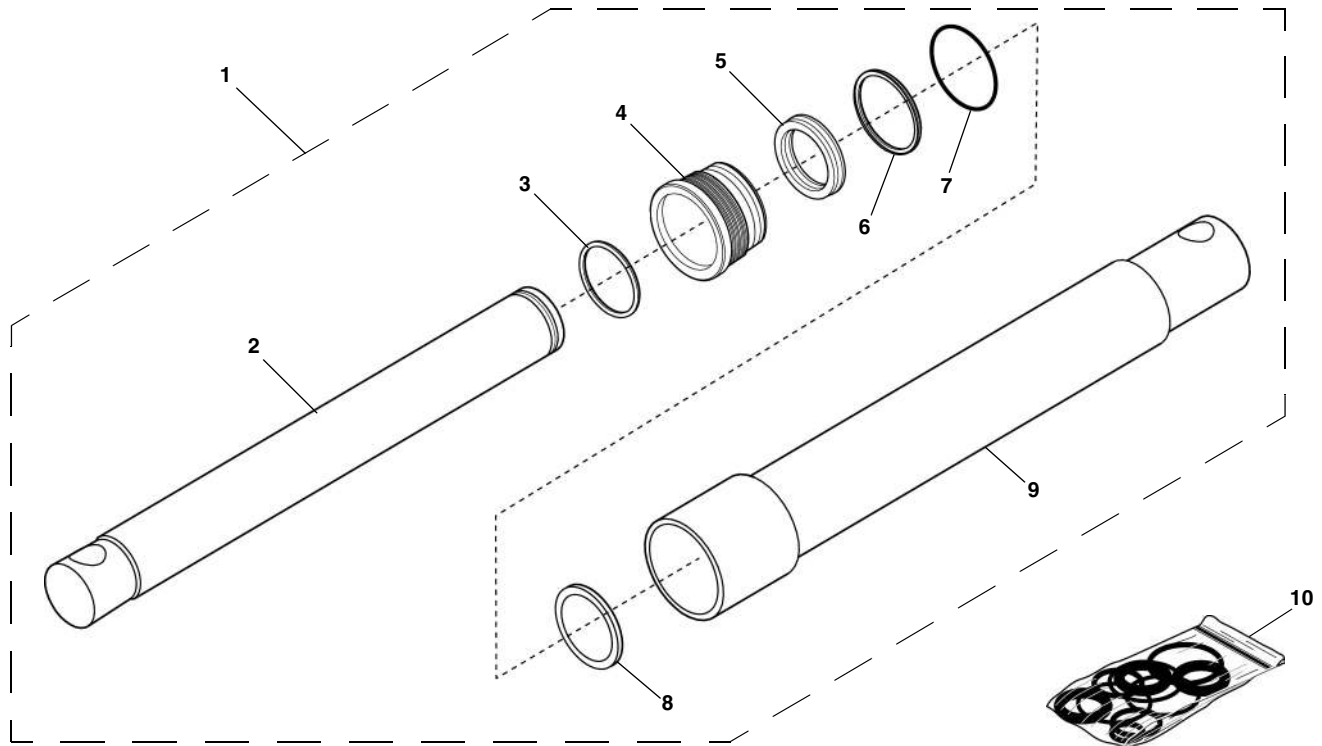


CX DENOTES PORT IN VALVE HOUSING

ITEM	PART NO.	DESCRIPTION	QTY
1	96111956	POWER UNIT, MBC.....	1
2	96112150	PUMP COVER, MBC.....	1
3	98100456	WING NUT, 5/16"-18 UNC, ZP/DT.....	4
4	98009230	PW, 5/16, W WIDE, ZP/DT.....	4
5	98009150	LN, 5/16-18, NYLON INSERT, ZP/DT.....	2
6	98009082	HHCS, .31"-18 X 2.50" GR 5 ZP/DT.....	2
7	96112924	HOSE, HYDRAULIC, 14.00" (VALVE PORT C4).....	1
8	96112923	HOSE, HYDRAULIC, 20.00" (VALVE PORT C3).....	1
9	96112184	CYLINDER, SWING, SA, 1-1/2" X 11, MBC.....	2
10	96112920	HOSE, HYDRAULIC, 40.00" (VALVE PORT C1).....	1
11	96100001	FITTING, ELBOW 90°.....	7
12	96100000	FITTING, STRAIGHT CONNECTOR.....	1
13	96112611	CYLINDER, LIFT, 2" X 1" ROD (NOTE: REBUILD KIT NOT AVAILABLE).....	1
14	96112921	HOSE, HYDRAULIC, 36.00" (VALVE PORT C2).....	1
15	96112692	STRAP, DUAL TIE.....	1

NOTE: The Part Descriptions above use common industry standard abbreviations in the naming conventions. Reference "PART DESCRIPTION ABBREVIATIONS" on page 3 for a list of abbreviations used in this manual.

HYDRAULIC SWING CYLINDERS

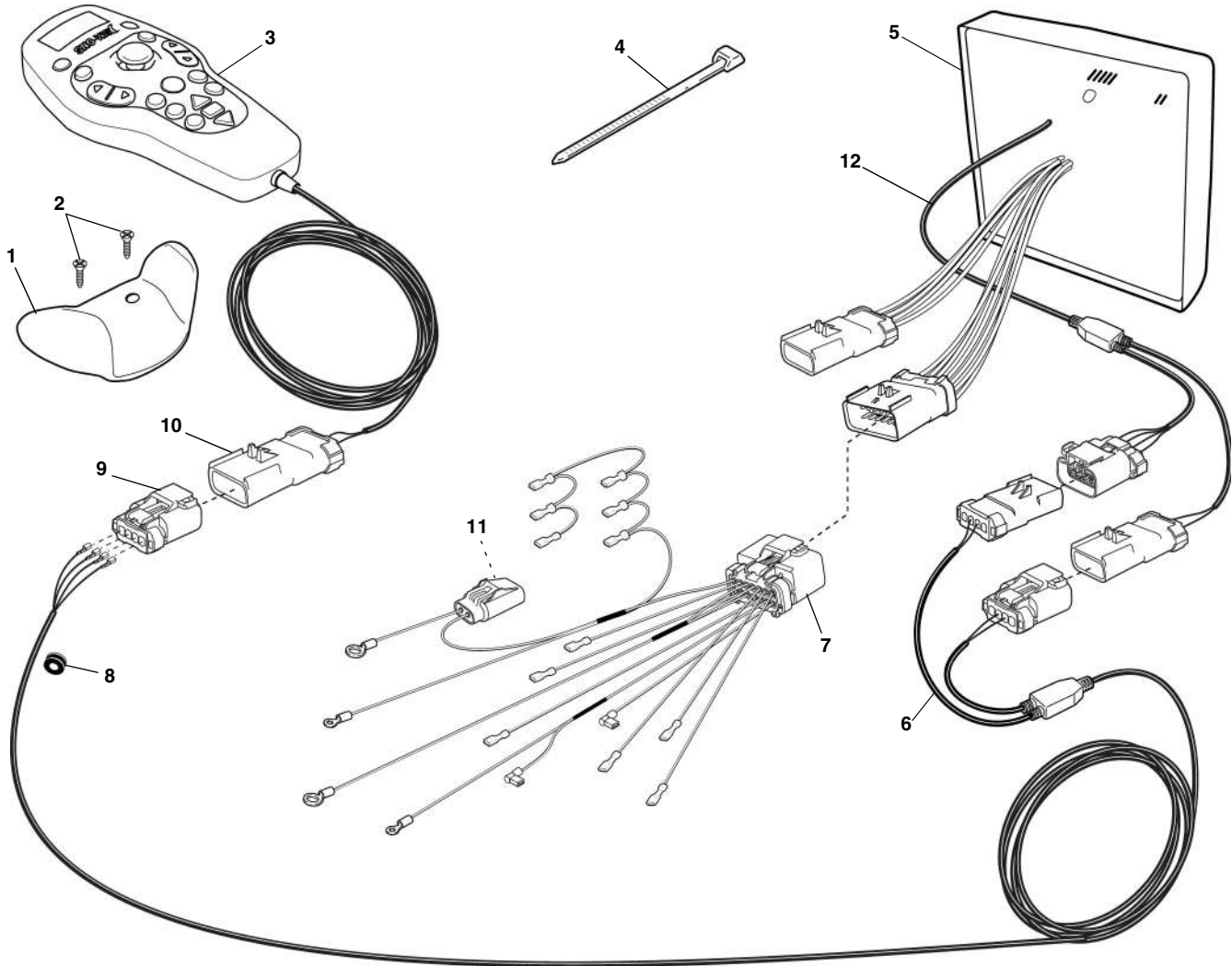


ITEM	PART NO.	DESCRIPTION	QTY
1	96112184	CYLINDER, SWING, SA, 1-1/2" X 11", MBC	2
2		ROD	1
3		WIPER	1
4	96112574	GLAND	1
5		SEAL, ROD	1
6		RING, BACK UP	1
7		O-RING	1
8		GUIDE RING	1
9		BODY ASSEMBLY	1
10	96112575	SEAL KIT (INCLUDES ITEMS #3, 5-7)	1

NOTE: The Part Descriptions above use common industry standard abbreviations in the naming conventions.
Reference "PART DESCRIPTION ABBREVIATIONS" on page 3 for a list of abbreviations used in this manual.

PROCONTROL SYSTEM WIRING

With S.N. Before: MBC100499

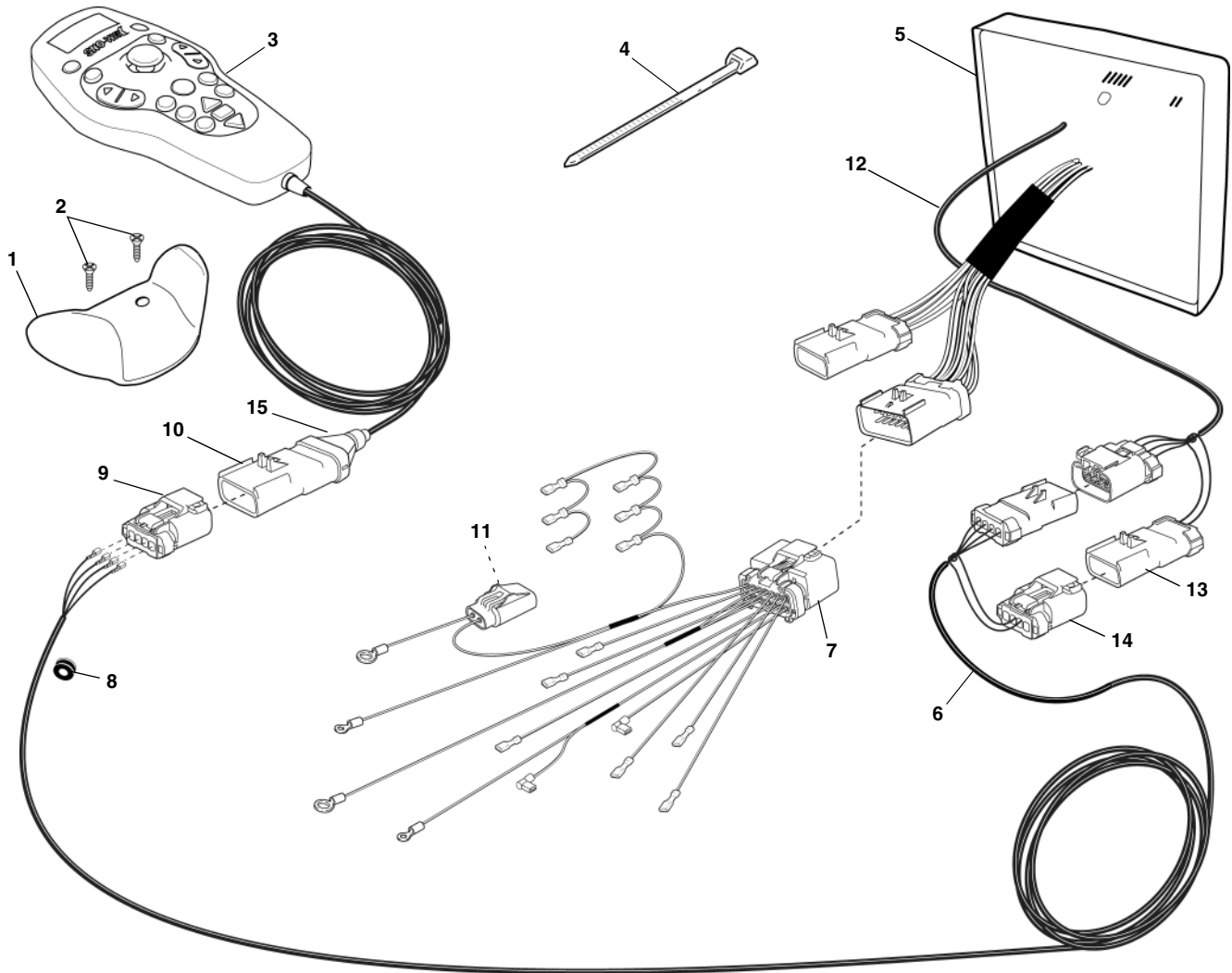


ITEM	PART NO.	DESCRIPTION	QTY
1	96112259	CLIP, DASH MOUNT	1
2	98100463	SCREW	2
3	96112246	TRANSMITTER, WIRED	1
4	96001227	STRAP, PLASTIC TIE.....	5
5	96112266	MODULE, RECEIVER, WIRED, UNIVERSAL.....	1
6	96112224	HARNESS, VEHICLE (REFERENCE ONLY - USE P/N 96112913)	1
7	96112193	HARNESS, CONTROL, SOLENOID, MBC	1
8	96112419	RUBBER GROMMET	1
9	96112300	CONNECTOR, FEMALE 4 WAY APEX.....	1
	96108662	TERMINAL, FEMALE, 18/20 AWG (NOT SHOWN).....	1
10	96112301	CONNECTOR, MALE 4 WAY APEX.....	1
	96108661	TERMINAL, MALE, 18/22 AWG (NOT SHOWN)	1
11	96112496	FUSE, 10 AMP (NOT SHOWN - IN HOLDER)	1
12	96112931	KIT, MODULE HARNESS REPAIR, PROCONTROL WIRED (NOT SHOWN) 1	

NOTE: The Part Descriptions above use common industry standard abbreviations in the naming conventions.
Reference "PART DESCRIPTION ABBREVIATIONS" on page 3 for a list of abbreviations used in this manual.

PROCONTROL SYSTEM WIRING

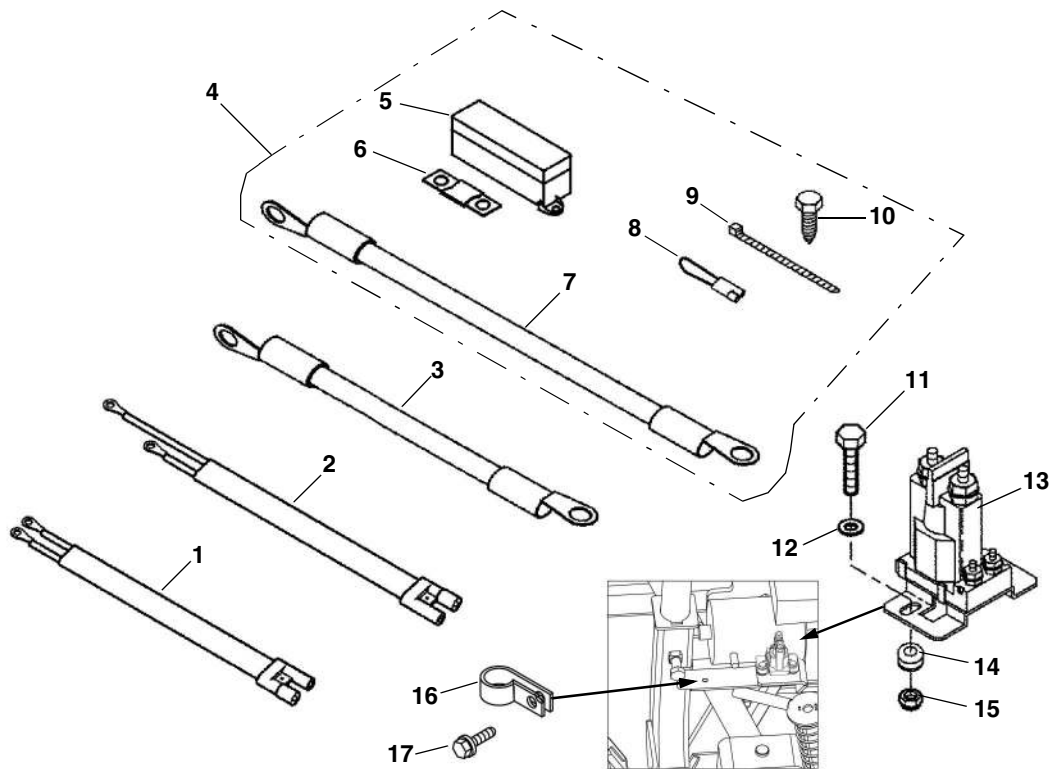
With S.N. After MBC100500



ITEM	PART NO.	DESCRIPTION	QTY
1	96112259	CLIP, DASH MOUNT	1
2	98100463	SCREW	2
3	96112246	TRANSMITTER, WIRED	1
	96112244	TRANSMITTER, WIRELESS	1
4	96001227	STRAP, PLASTIC TIE	5
5	96112915	MODULE, RECEIVER, WIRED, UNIVERSAL	1
	96112260	MODULE, RECEIVER, WIRELESS, UNIVERSAL	1
6	96112913	HARNESS, VEHICLE	1
7	96112193	HARNESS, CONTROL, SOLENOID, MBC	1
8	96112419	RUBBER GROMMET	1
9	96112300	CONNECTOR, FEMALE 4 WAY APEX	1
	96108662	TERMINAL, FEMALE, 18/20 AWG (NOT SHOWN)	1
10	96112301	CONNECTOR, MALE 4 WAY APEX	1
	96108661	TERMINAL, MALE, 18/22 AWG (NOT SHOWN)	1
11	96112496	FUSE, 10 AMP (NOT SHOWN - IN HOLDER)	1
12	96112931	KIT, MODULE HARNESS REPAIR, PROCONTROL WIRED (NOT SHOWN)	1
13	96112872	CAP, STORAGE, MALE	1
14	96112871	CAP, STORAGE, FEMALE	1
15	96112840	STRAIN RELIEF	1

NOTE: The Part Descriptions above use common industry standard abbreviations in the naming conventions.
Reference "PART DESCRIPTION ABBREVIATIONS" on page 3 for a list of abbreviations used in this manual.

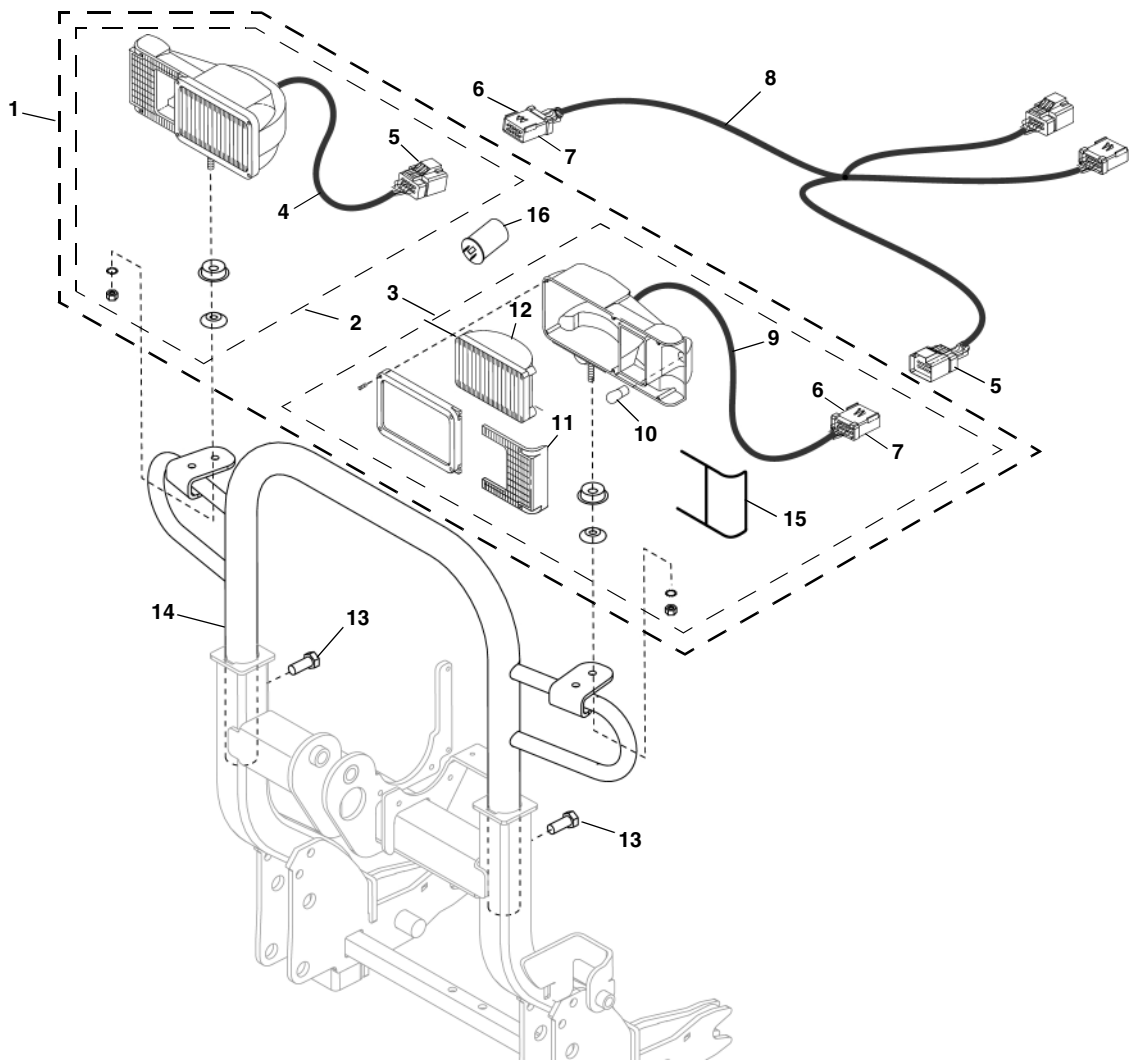
POWER PACK WIRING



ITEM	PART NO.	DESCRIPTION	QTY
1	96104221	HARNESS, BATTERY POWER	1
2	96104230	HARNESS, PLOW POWER	1
3	96105273	HARNESS, SOLENOID	1
4	96105167	BAG, POWER HARNESS PARTS	1
5	96109143	FUSE HOLDER	1
6	96109142	FUSE, 250 AMP	1
7	96102891	CABLE, POWER	2
8	96105082	CAP, PROTECTIVE	2
9	96001227	STRAP, TIE PLASTIC	2
10	98100037	SCREW, SELF TAPPING, #10-16 x 1"	4
11	98100391	CAPSCREW, HEX, 1/4"-20 x 7/8"	2
12	98100254	WASHER, FLAT, 1/4"	2
13	96002086	SWITCH, SOLENOID	1
14	96105282	GROMMET, 3/8" ID.....	2
15	98100255	NUT, HEX HEAD NYLOCK, 1/4"-20	2
16	96101891	CLAMP, TUBE, VINYL COATED.....	1
17	98100386	HWH 5/16 X 1-1/4 TE X 3.....	1

NOTE: The Part Descriptions above use common industry standard abbreviations in the naming conventions.
Reference "PART DESCRIPTION ABBREVIATIONS" on page 3 for a list of abbreviations used in this manual.

AUXILIARY LIGHTING



ITEM	PART NO.	DESCRIPTION	QTY
1	96107893	KIT, LAMP, EIS	1
2	96107984	LIGHT, ASSEMBLY, RH, EIS.....	1
3	96107983	LIGHT, ASSEMBLY, LH, EIS	1
4	96107986	HARNESS, PLOW LIGHT, RH, EIS	1
5	96108117	CONNECTOR, FEMALE.....	2
6	96108116	CONNECTOR, MALE	2
7	96108600	CLIP, SECONDARY LOCK	2
8	96107894	HARNESS, MAIN LIGHT, EIS*	1
9	96107985	HARNESS, PLOW LIGHT, LH, EIS.....	2
10	96003060	LAMP, PARK & TURN	2
11	96106692	LENS, TURN SIGNAL.....	2
12	96100514	LAMP, SEALED BEAM.....	2
13	98009115	HHCS, .62-11 X 1.50 GR 8 ZP/DT.....	2
14	96110440	WELDMENT, ULB	1
15	96106693	GASKET, TURN SIGNAL.....	2
16	96003010	FLASHER	1

NOTE: *Adapter required - See Application Guide.

The Part Descriptions above use common industry standard abbreviations in the naming conventions.

Reference "PART DESCRIPTION ABBREVIATIONS" on page 3 for a list of abbreviations used in this manual.

NUMERICAL INDEX

PART NO.	PAGE	ITEM	PART NO.	PAGE	ITEM	PART NO.	PAGE	ITEM
96001227	11	4	96108324	8	12	96112352	3	2
	12	4	96108325	8	15	96112410	8	17
	13	9	96108341	8	13	96112417	5	24
96001392	4	5	96108600	14	7	96112419	11	8
96002086	13	13	96108661	11	10		12	8
96003010	14	16		12	10	96112436	6	0
96003060	14	10	96108662	11	9	96112439	4	20
96100000	4	26		12	9	96112440	4	28
	9	12	96109142	13	6	96112496	11	11
96100001	4	11	96109143	13	5		12	11
	9	11	96110192	4	22	96112556	8	36
96100514	14	12	96110440	14	14	96112558	8	27
98100386	13	17	96111171	8	14	96112574	10	4
96101465	5	14	96111240	5	8	96112575	10	10
96101891	13	16	96111245	5	4	96112583	8	16
96101976	8	38	96111458	5	21	96112599	8	5
96102891	13	7	96111956	9	1	96112603	5	26
96104221	13	1	96111960	4	12	96112604	5	25
96104230	13	2	96112009	6	8	96112611	4	24
96105082	13	8	96112011	6	14		9	13
96105167	13	4	96112012	6	2	96112692	9	15
96105231	8	35	96112013	6	13	96112728	3	6
96105233	8	20	96112077	5	11	96112795	5	28
96105234	8	6	96112150	9	2	96112840	12	15
96105237	8	4	96112166	6	15	96112871	12	14
96105238	8	2	96112171	6	6	96112872	12	13
96105240	8	9	96112175	6	10	96112913	12	6
96105244	8	37	96112180	5	5	96112915	12	5
96105245	8	28	96112184	4	7	96112920	9	10
96105250	8	18		9	9	96112921	9	14
96105251	8	19		10	1	96112923	9	8
96105253	8	3	96112193	11	7	96112924	9	7
96105273	13	3		12	7	96112931	11	12
96105275	8	10	96112200	3	1		12	12
96105282	13	14		4	1	96112948	8	7
96105313	8	24	96112224	11	6	98009003	4	27
96105314	8	30	96112244	12	3	98009005	4	16
96105315	8	32	96112246	11	3	98009010	6	3
96105316	8	31		12	3	98009013	3	3
96105317	8	25	96112259	11	1		5	12
96105735	8	33		12	1		6	4
96105737	8	29	96112260	12	5	98009017	6	5
96106102	8	8	96112266	11	5	98009023	4	18
96106692	14	11	96112292	5	23	98009027	5	7
96106693	14	15	96112300	11	9	98009030	4	28
96107893	14	1		12	9	98009037	4	4
96107894	14	8	96112301	11	10	98009038	5	1
96107983	14	3		12	10	98009043	5	10
96107984	14	2	96112307	5	19	98009053	5	15
96107985	14	9	96112323	6	1	98009069	5	2
96107986	14	4	96112330	5	9	98009078	4	3
96108116	14	6	96112333	4	8	98009082	9	6
96108117	14	5	96112334	4	10	98009085	4	9
96108323	8	11	96112336	4	2	98009115	14	13

NUMERICAL INDEX

PART NO.	PAGE	ITEM
98009150	4	21
	9	5
98009230	4	19
	9	4
98009259	5	18
98100006	4	13
98100037	13	10
98100040	4	25
98100095	5	20
98100254	13	12
98100255	5	6
	13	15
98100294	4	14
98100337	5	22
98100391	13	11
98100393	6	7
98100395	6	9
98100433	4	15
98100439	5	3
98100441	4	23
98100447	5	27
98100448	5	13
98100450	5	17
98100451	5	16
98100452	4	17
98100456	9	3
98100462	6	11
98100463	11	2
	12	2
98100464	6	12
98100468	4	6
98100475	3	5
98100476	3	4

PART NO.	PAGE	ITEM
----------	------	------

PART NO.	PAGE	ITEM
----------	------	------

SNO-WAY® INTERNATIONAL, INC.

SNO-WAY®
SNOW & ICE CONTROL EQUIPMENT

Hartford, WI 53027 USA
Website: www.snoway.com
©2009 Sno-Way® International