

SNO-WAY®

SNOW & ICE CONTROL EQUIPMENT

ASSEMBLY & INSTALLATION INSTRUCTIONS

E-Z SWITCH 9 "WING SYSTEM

99100986

TO FIT

**MEGABLADE CONTRACTOR, MEGABLADE REVOLUTION,
MEGABLADE V-BLADE, 29VHD & 29HDW SERIES PLOWS**



Sno-Way® and EIS® are registered trademarks and Down Pressure™ is a trademark of Sno-Way International, Inc.

©2012 Sno-Way® International

97101373C



1. DO NOT EXCEED GVWR OR GAWR INCLUDING BLADE AND BALLAST. THE RATING LABEL IS FOUND ON THE DRIVER-SIDE VEHICLE DOOR
2. THINK SAFETY, ALWAYS WEAR SAFETY GLASSES WHEN PERFORMING THE OPERATIONS PRESCRIBED IN THESE INSTRUCTIONS
3. READ ALL INSTRUCTIONS CAREFULLY BEFORE ATTEMPTING INSTALLATION



MINIMUM VEHICLE RECOMMENDATIONS

One of the following Snowway Snow Plow packages:

- Mega Blade Contractor
- Mega Blade Revolution
- Mega Blade V-Blade
- 29VHD
- 29HDW

ASSEMBLY TOOLS NEEDED

Wrenches

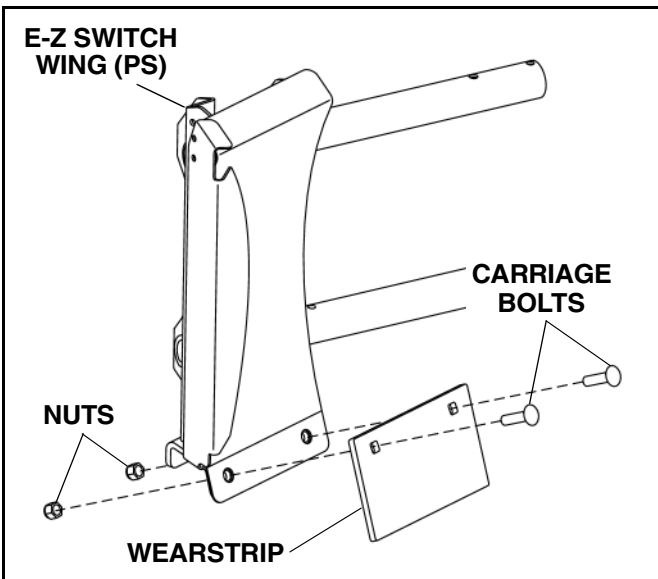
As Needed

INSTALLATION NOTES

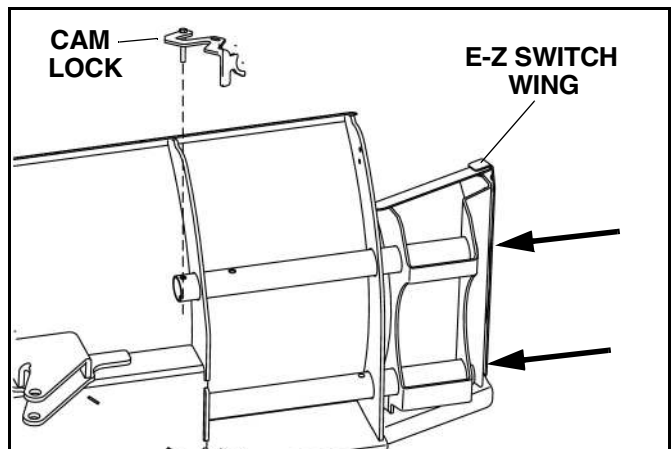
1. It is recommended that **LOCTITE®**, or similar thread locking product, be used on **ALL** mounting hardware (i.e. Nuts, Cap Screws, Bolts, etc.).

ASSEMBLY AND INSTALLATION

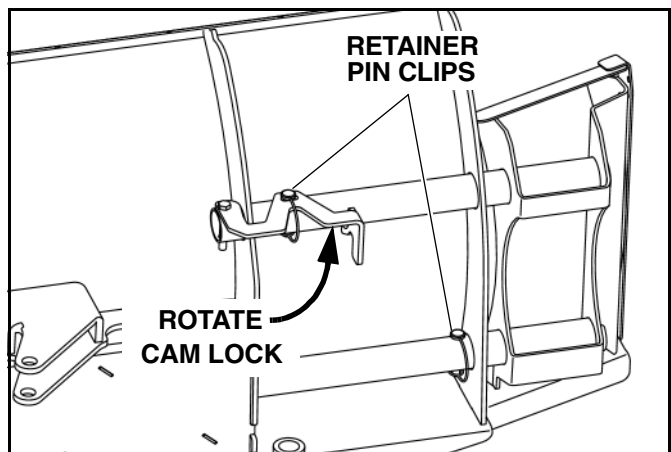
1. Install the wearstrip on the PS E-Z Switch Wing with the hardware provided.



2. Slide the E-Z Switch Wing completely into the holes on the main blade or wing, ensuring that it rests against the end of the main blade or wing.



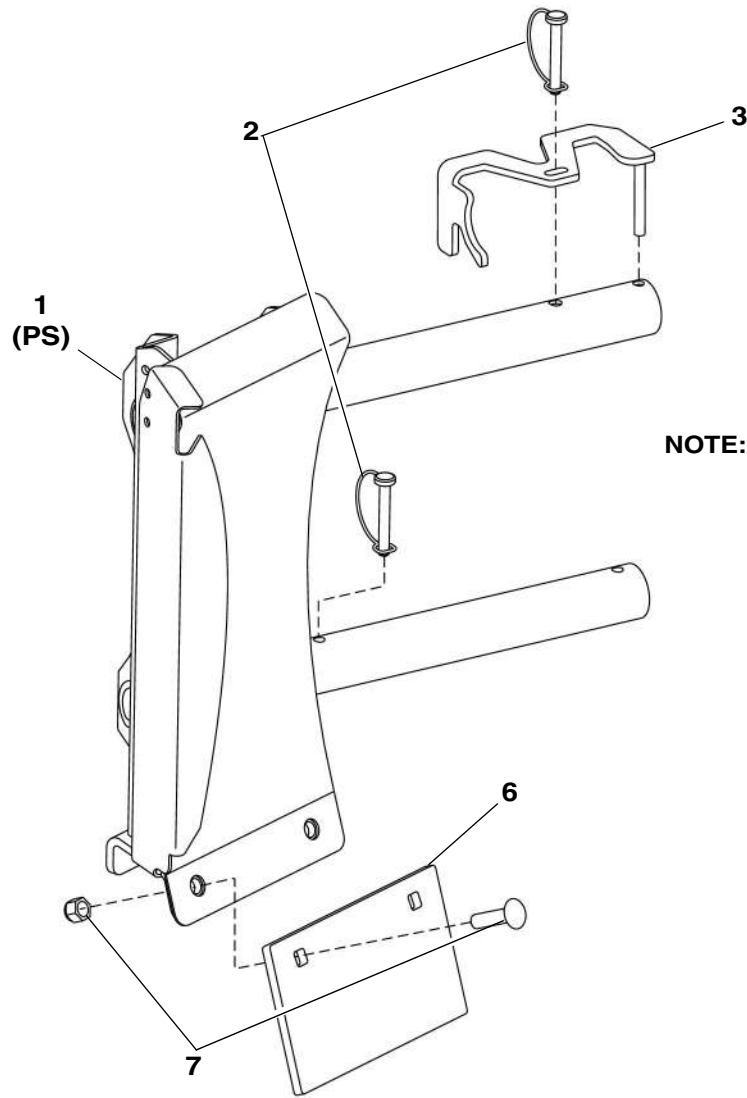
3. Insert the cam lock into the inner hole on the top tube.



4. Rotate the cam lock against the upper tube and install one retainer pin clip through the lock to secure. Insert a second retainer pin clip in the hole on the lower tube.

5. Repeat Steps 1 through 4 to install the DS E-Z Switch Wing to complete the assembly and installation process.

PARTS LIST



**NOTE: ITEMS 4 & 5
NOT SHOWN**

ITEM	PART NO.	DESCRIPTION	QTY.
1	96112214	9" Scoop Wing, PS Assembly.....	1
2	96112405	Kit, Retainer Pin (includes 2 pins for one wing)	2
3	96113007	Cam Lock, PS.....	1
4	96112213	9" Scoop Wing, DS Assembly (not shown).....	1
5	96113008	Cam Lock, DS (not shown).....	1
6	96112666	Wearstrip, 9" Scoop Wing.....	2
7	96112907	Hardware Kit, 9" Scoop Wing).....	2

SNO-WAY® INTERNATIONAL, INC.



Hartford, WI 53027 USA
Website: www.snoway.com
©2012 Sno-Way® International