



**Adapter Kit  
Wiring Diagram  
&  
Installation Instructions**

**FOR 99100945 ADAPTER KIT**

# WIRING DIAGRAM



1. THINK SAFETY, ALWAYS WEAR SAFETY GLASSES WHEN PERFORMING THE OPERATIONS PRESCRIBED IN THESE INSTRUCTIONS
2. READ ALL INSTRUCTIONS CAREFULLY BEFORE ATTEMPTING INSTALLATION

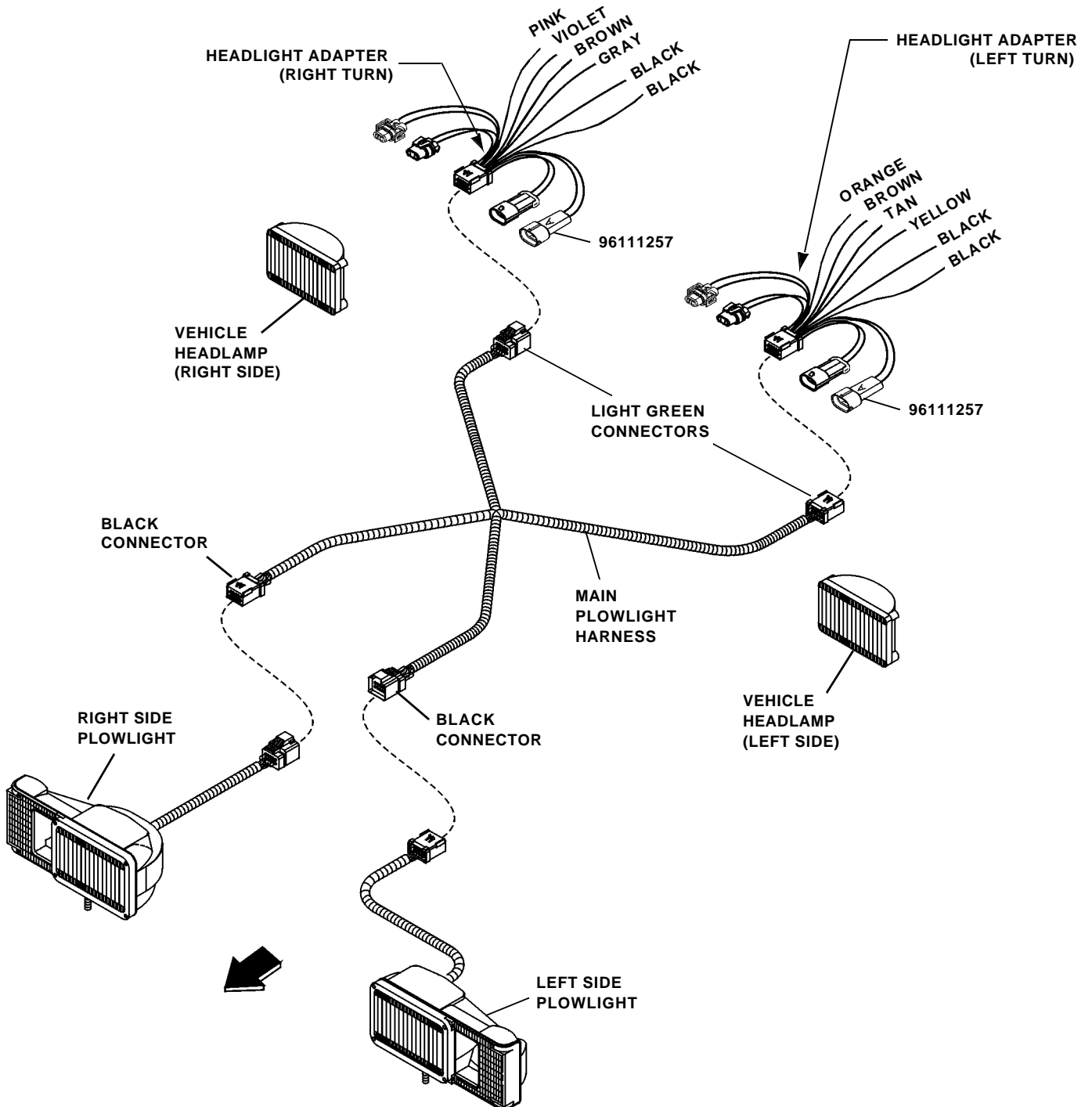


Figure 1

## Headlight Adapter Schematic - Female (96111562)

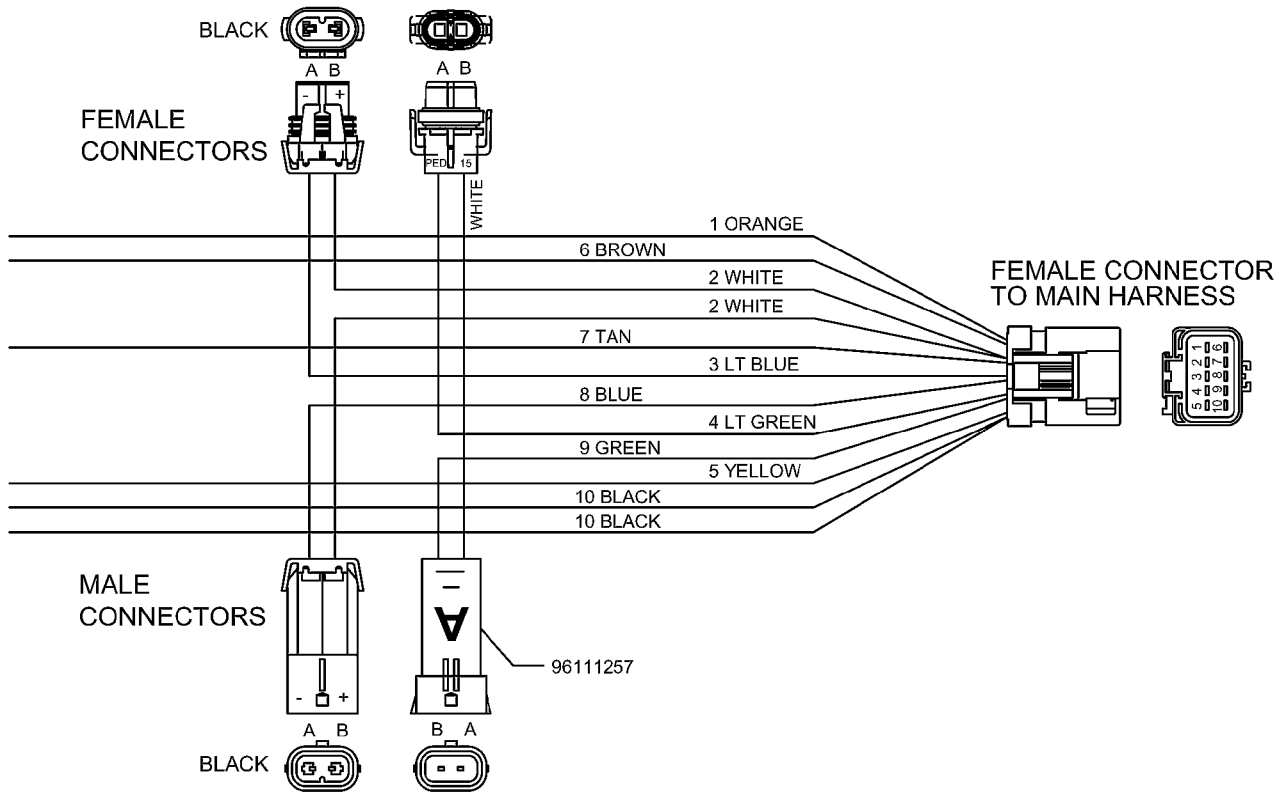


Figure 2

## Headlight Adapter Schematic - Male (96111563)

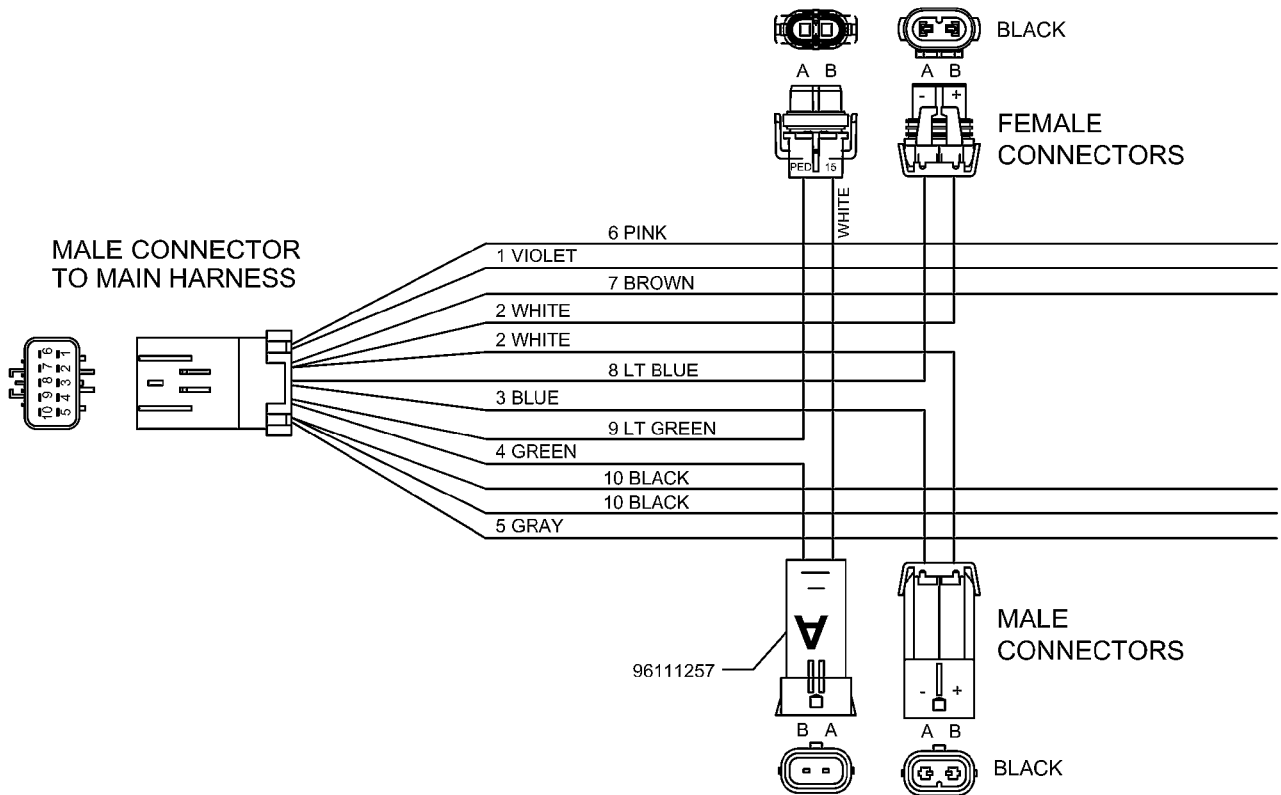


Figure 3

## ADAPTER KIT INSTALLATION (Refer to Diagram)

### C CAUTION

- **THINK SAFETY, ALWAYS WEAR SAFETY GLASSES WHEN PERFORMING THE OPERATIONS PRESCRIBED IN THESE INSTRUCTIONS**
- **READ ALL INSTRUCTIONS CAREFULLY BEFORE ATTEMPTING INSTALLATION**

**IMPORTANT:** Use a dielectric compound on all connections to prevent corrosion.

1. Disconnect the vehicle headlight electrical connector from the back of the vehicle headlamps.

*NOTE: In order to disconnect some vehicle headlight connectors, it may be necessary to remove the headlamp assembly from the front of the vehicle, if the connector is not easily accessible.*

2. Plug together the light green connectors on the main harness with the corresponding adapters needed for the vehicle. The drivers' side connections have a yellow wire and the passenger side has a gray wire.

**IMPORTANT:** The correct adapters must be connected to each side for proper function.

3. On the Driver's Side (Left Turn):

- Unplug the high beam and low beam connectors from the vehicle. Meter the feed from the vehicle harness and note the position of the positive and negative feeds.  
**NOTE: Do not follow the + and - positioning on the connector.** Locate the 96111257 on the print provided. Plug the 96111257 connector into the low beam connector on the vehicle. Ensure the **WHITE** wire connects with the negative feed coming from the vehicle harness. Now take the vehicle high beam connector and plug it into the corresponding connector on the headlight adapter.
- Locate the left turn signal source wire on the vehicle harness. At a suitable distance back from the headlamp (you need enough wire on each side to accommodate a butt connector), cut the wire and using a butt connector, connect the orange adapter wire to the wire going back to the headlamp. Using another butt connector, connect the yellow adapter wire to the wire coming from the vehicle harness.
- Locate the left park source wire on the vehicle harness. At a suitable distance back from the headlamp, cut the wire and using a butt connector, connect the tan adapter wire to the wire going back to the headlamp. Using another butt connector, connect the brown adapter wire to the wire coming from the vehicle harness.
- Locate the left park/turn common wire on the vehicle harness. At a suitable distance back from the headlamp, cut the wire and using a butt connector, connect the black adapter wire to the wire going to the headlamp.

Using another butt connector, connect either of the remaining black adapter wires to the wire coming from the vehicle harness.

4. On the Passenger Side (Right Turn):

- Unplug the high beam and low beam connectors from the vehicle. Meter the feed from the vehicle harness and note the position of the positive and negative feeds.  
**NOTE: Do not follow the + and - positioning on the connector.** Locate the 96111257 on the print provided. Plug the 96111257 connector into the low beam connector on the vehicle. Ensure the **WHITE** wire connects with the negative feed coming from the vehicle harness. Now take the vehicle high beam connector and plug it into the corresponding connector on the headlight adapter.
  - Locate the right turn signal source wire on the vehicle harness. At a suitable distance back from the headlamp, cut the wire and using a butt connector, connect the violet adapter wire to the wire going back to the headlamp. Using another butt connector, connect the gray adapter wire to the wire coming from the vehicle harness.
  - Locate the right park source wire on the vehicle harness. At a suitable distance back from the headlamp, cut the wire and using a butt connector, connect the pink adapter wire to the wire going back to the headlamp. Using another butt connector, connect the brown adapter wire to the wire coming from the vehicle harness.
  - Locate the left park/turn common wire on the vehicle harness. At a suitable distance back from the headlamp, cut the wire and using a butt connector, connect the black adapter wire to the wire going to the headlamp. Using another butt connector, connect either of the remaining black adapter wires to the wire coming from the vehicle harness.
5. Place the other end of the main harness on the outside of the grille.
  6. Attach the main harness connectors to the right and left plow light headlamps. Turn on the vehicle lights and check operation. Check to make sure the vehicle headlights go out and the plow headlights come on. Check the park and turn signals.
  7. If disassembled, reassemble vehicle components.
  8. Secure the main harness to a safe location with electricians tape or plastic wire ties. Excess harness length should be neatly coiled and taped, or tied up out of the way.

**IMPORTANT:** Retain a record of how the vehicle wiring configuration was before alteration in the event snow plow is removed.

### C CAUTION

**Make sure that wire harness is routed away from all moving engine components.  
Example; fan, belts etc.  
DO NOT attach wire harness to hoses, radiator AC coils, exhaust manifolds, or control cables.**

SNO-WAY® INTERNATIONAL, INC.

**SNO-WAY**  
SNOW & ICE CONTROL EQUIPMENT

Hartford, WI 53027 USA  
Website: [www.snoway.com](http://www.snoway.com)  
©2007 Sno-Way® International