

**SPACER SERVICE KIT
(P/N 99110393 & 96110394)
INSTALLATION INSTRUCTIONS**



- 1. THINK SAFETY, ALWAYS WEAR SAFETY GLASSES WHEN PERFORMING THE OPERATIONS PRESCRIBED IN THESE INSTRUCTIONS**
- 2. READ ALL INSTRUCTIONS CAREFULLY BEFORE ATTEMPTING INSTALLATION**



NOTE: These instructions and part number references apply to either part listing that follows for the Spacer Service Kits (96110393 or 96110394).

TIP: To make the installation easier, disassemble everything in the instructions before you start to reassemble.

1. Attach plow to the truck or block rear of A-frame so that the plow is no longer resting on the Jack Stand.
2. Remove and discard the cotter pin, flat washer and clevis pin that holds the lift link to the Lower Light Lift Bar (LLL B). Use care if the plow is not connected to the truck as the LLL B will be free to rotate after the clevis pin is removed.
3. Remove and discard the hardware securing the Bell Crank assembly to the A-Frame.
4. Remove and discard the hardware securing the Lift Cylinder to the Bell Crank assembly.
5. Remove and discard the hardware securing the Lift Link and Jack Stand assembly to the Bell Crank except for the Stand Spacer (item #10). Retain for step 6b.

NOTE: All original hardware is to be replaced when installing this kit. Washers in this kit are hardened and MUST be used. If standard washers would be used, severe spacer and Bell Crank wear will occur. Apply Nev-ersize to all spacers when installing to extend their life and reduce wear.

6. Place two new spacers (item #5) in the holes of the Bell Crank that connect to the Lift Link. and secure as follows:

- a. Install a 1/2"-13 x 2" Cap Screw (item #4) and 1/2" hardened Flat Washer (item #3) through the Spacer (item #5) in the PS of the Bell Crank and Lift Link and secure using one 1/2" hardened Flat Washer (item #3), 1/2" Locknut (item #6) and 1/2" Jam Nut (item #7).

b. For 22 series:

Install a 1/2" -13 x 2" Cap Screw (item #4) and 1/2" hardened Flat Washer (item #3) through the bushing in the DS of the Bell Crank and Lift Link. Install one Stand Spacer (item #10) on the Cap Screw.

For 26/29/32 series:

Install a 1/2" -13x 2-1/4" Cap Screw (item #11) and 1/2" hardened Flat Washer (item #3) through the bushing in the DS of the Bell Crank and Lift Link. Install one Stand Spacer (item #10) on the Cap Screw.

- c. Position the Jack Stand assembly on the Stand Spacer on the DS of the Bell Crank assembly and secure using one 1/2" hardened Flat Washer (item #3), 1/2"-13 Locknut (item #6) and 1/2"-13 Jam Nut (item #7).

7. For 22 Series:

Connect the Lift Links to the Lower Light Lift Bar (LLL B) using a 5/8"-11 x 6" Capscrew (item #2) and 5/8"-11 Locknut (item #1).

For 26/29/32 Series:

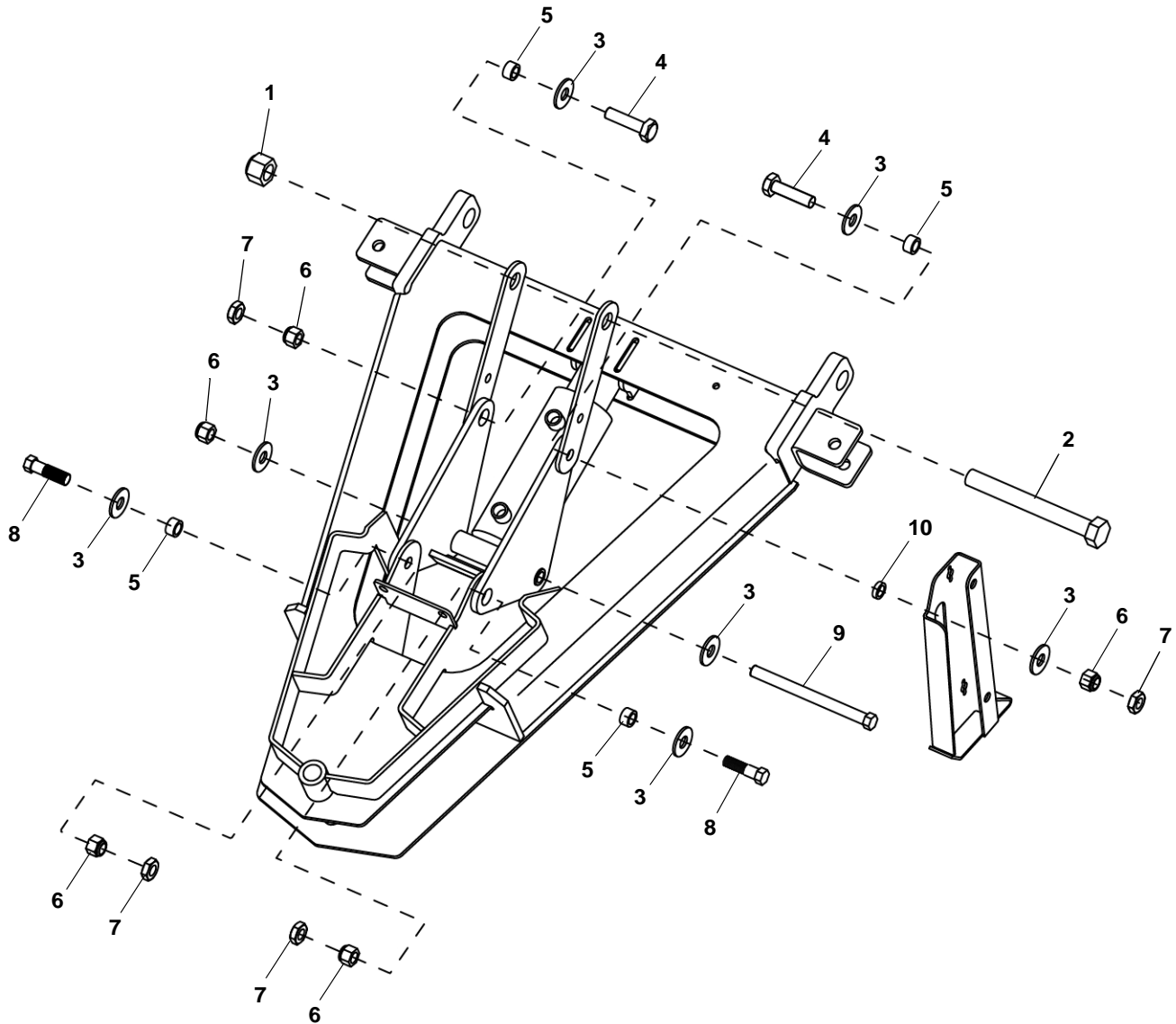
Connect the Lift Links to the Lower Light Lift Bar (LLL B) using a 3/4"-10 x 6-1/2" Capscrew (item #2) and 3/4"-10 Locknut (item #1).



WARNING

DO NOT use the original clevis pin to hold the Lift Links to the Lower Light Lift Bar with the new spacer as the cotter pin may shear off causing the clevis pin to work loose dropping the plow.

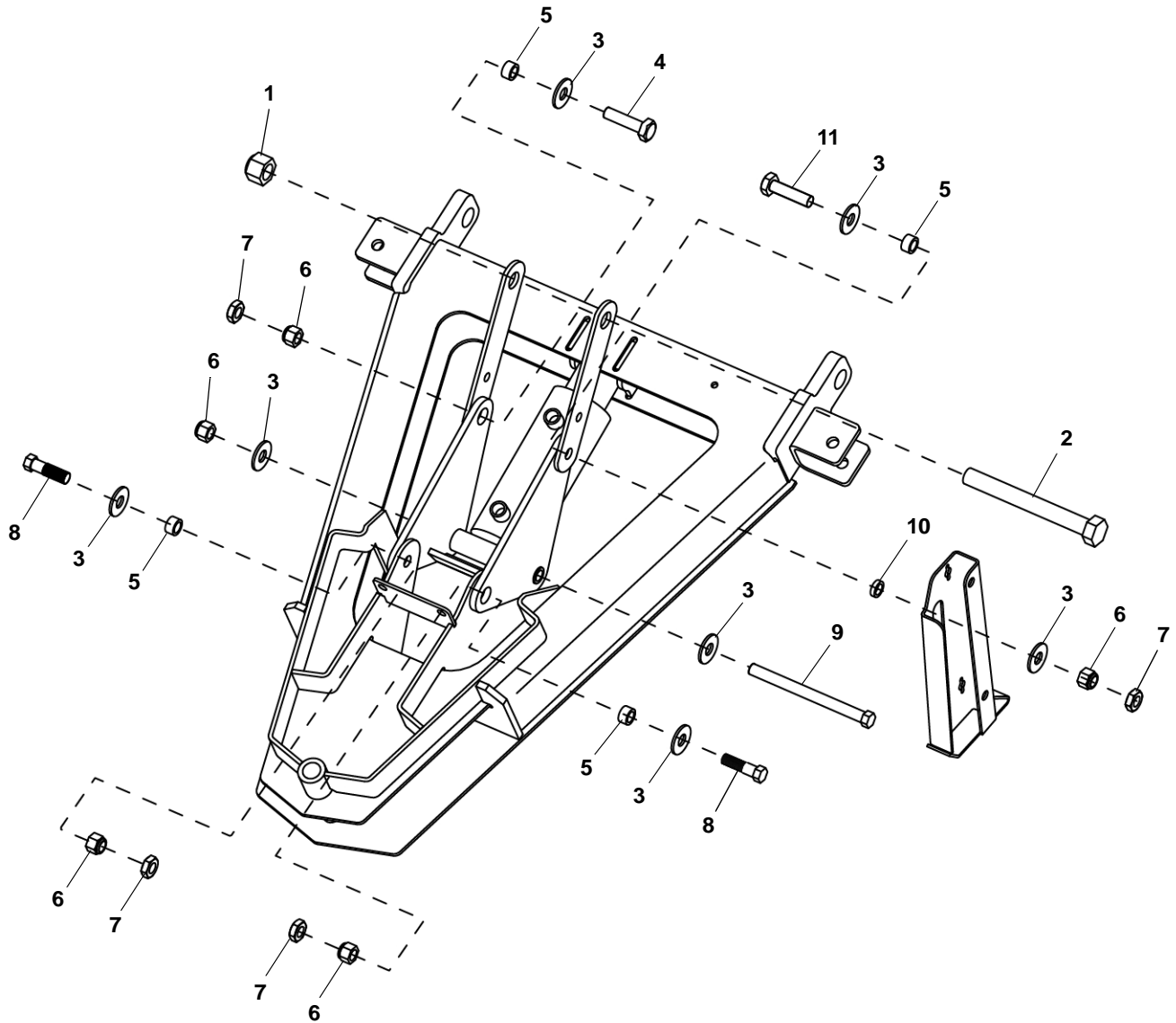
SPACER SERVICE KIT PARTS LIST 22 SERIES PLOWS (P/N 96110393)



ITEM	PART NO.	DESCRIPTION	QTY
1		Locknut, 5/8"-11, Nylon Insert	1
2		Cap Screw, 5/8"-11 X 6"	1
3		Flat Washer, 1/2"	7
4		Cap Screw, 1/2"-13 X 2"	2
5		Spacer, Bell Crank, 22	6
6		Locknut, 1/2"-13, Nylon Insert	5
7		Jam Nut, 1/2"-13	4
8		Cap Screw, 1/2"-13 X 1-3/4"	2
9		Cap Screw, 1/2"-13 X 6"	1
10	96102168	Stand, Spacer (Not included with kit).....	1

SPACER SERVICE KIT PARTS LIST

26, 29 & 32 SERIES PLOWS (P/N 96110394)



ITEM	PART NO.	DESCRIPTION	QTY
1		Locknut, 3/4"-10, Nylon Insert	1
2		Cap Screw, 3/4"-10 X 6-1/2"	1
3		Flat Washer, 1/2"	7
4		Cap Screw, 1/2"-13 X 2"	1
5		Spacer, Bell Crank, 26, 29, 32	6
6		Locknut, 1/2"-13, Nylon Insert	5
7		Jam Nut, 1/2"-13	4
8		Cap Screw, 1/2"-13 X 1-3/4"	2
9		Cap Screw, 1/2"-13 X 6"	1
10	96102168	Stand, Spacer (Not included with kit)	1
11		Cap Screw, 1/2"-13 X 2"	1

SNO-WAY® INTERNATIONAL, INC.



Hartford, WI 53027 USA
Website: www.snoway.com
©2014 Sno-Way® International