

# SNO-WAY SKID STEER/TRACTOR LOADER HYDRAULIC HOSE SCREEN (P/N 96110358) INSTALLATION INSTRUCTIONS



**1. THINK SAFETY, ALWAYS WEAR SAFETY GLASSES WHEN PERFORMING THE OPERATIONS PRESCRIBED IN THESE INSTRUCTIONS**



**2. READ ALL INSTRUCTIONS CAREFULLY BEFORE ATTEMPTING INSTALLATION**

## **WARNING!**

**HIGH PRESSURE FLUID!** Escaping fluid under pressure can puncture the skin causing serious injury or death. If injured, seek emergency medical help immediately. Fluid injected into the skin must be surgically removed or gangrene may result. Avoid this hazard by relieving pressure before disconnecting hydraulic or other lines. Tighten all connections before applying pressure. Check for leaks using a piece of cardboard or wood. Never use your hands.

## **WARNING!**

Lower snow plow blade on a flat, level surface. To prevent accidental operation of blade, attach a "DO NOT OPERATE" tag to the skid steer or tractor loader controls to alert others that service or maintenance is being performed. If necessary, place additional warning tags around the machine. Serious injury or death could occur if the engine is started and the machine and/or blade are moved while performing service or maintenance.

1. Prior to installation of the hose screens (P/N 96110358), verify both 1/2" NPT hose ends on the plow and the mating hydraulic coupler faces on the skid steer/tractor are free of debris. Use a lint-free cloth to remove any dirt, grease or other foreign objects from all openings.

2. Position one hose screen in the opening of each 1/2" NPT hydraulic hose. The hose screen should seat flush with the hydraulic hose face. All hose screens should be positioned with the screen inside of the pipe thread. See Figure 1-1.

3. Connect the hydraulic coupler to the hydraulic hose. Use caution not to tear or offset the screen upon installation of the coupler. An improperly installed screen will not prevent debris from entering the hydraulic system and may restrict hydraulic fluid flow. See Figure 1-2 for proper installation.

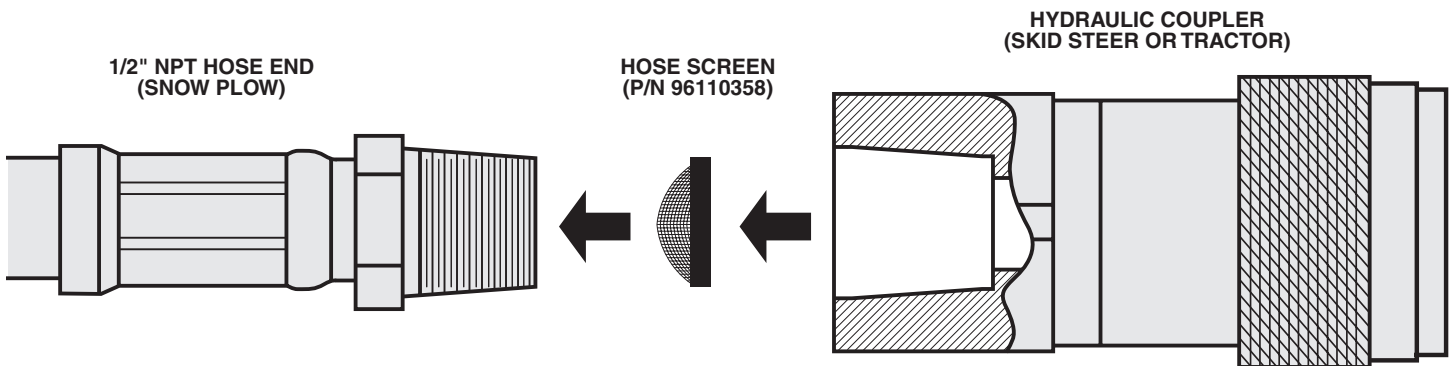


Figure 1-1

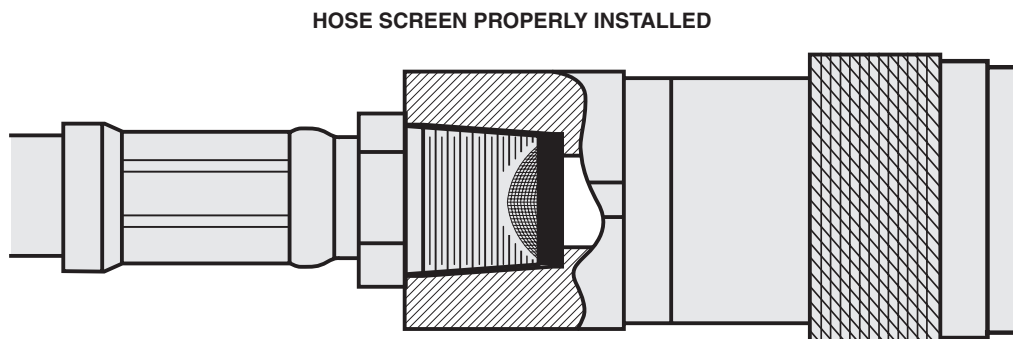
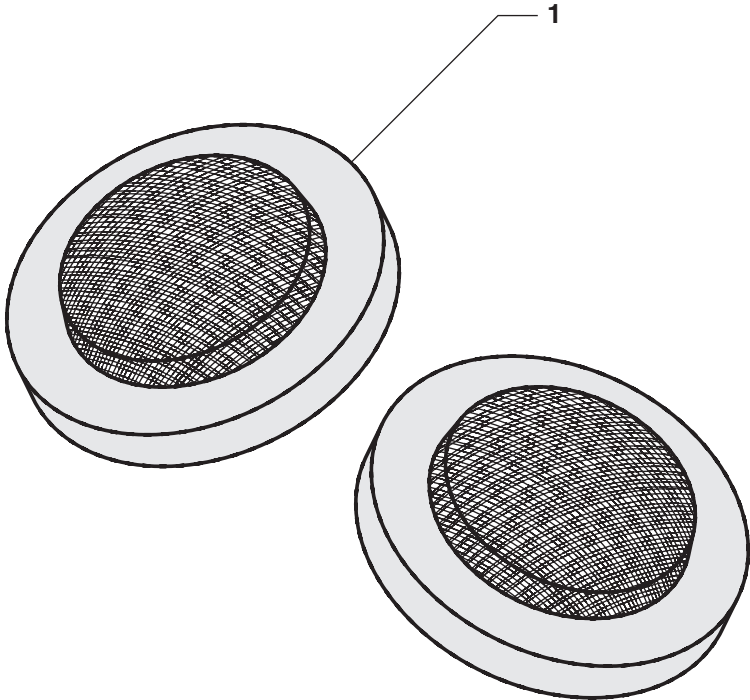


Figure 1-2

# PARTS LIST



ITEM	PART NO.	DESCRIPTION	QTY.
1	96110358	Hose Screen, 0.725" O.D.....	2



Sno-Way International, Inc. 120 North Grand Avenue › Hartford, WI 53027  
T 262.673.7200 F 262.673.7409

[www.snoway.com](http://www.snoway.com)



Sno-Way reserves the right to change product design, construction, materials and specifications without notice under its ongoing product improvement programs. Sno-Way® is a registered trademark of Sno-Way International, Inc. © 2007 Sno-Way International, Inc. All rights reserved.