

CURB GUARD INSTALLATION INSTRUCTIONS

PART NUMBER 99100902

FOR 26, 29, 29T, 32 AND 28V SERIES PLOWS



1. THINK SAFETY, ALWAYS WEAR SAFETY GLASSES WHEN PERFORMING THE OPERATIONS PRESCRIBED IN THESE INSTRUCTIONS
2. READ ALL INSTRUCTIONS CAREFULLY BEFORE ATTEMPTING INSTALLATION



1. Raise plow blade and place blocking under blade. Lower blade onto blocking.

2. Remove and discard outer two wearstrip carriage bolts and nuts from both ends of plow blade. (See Figure 1-1).

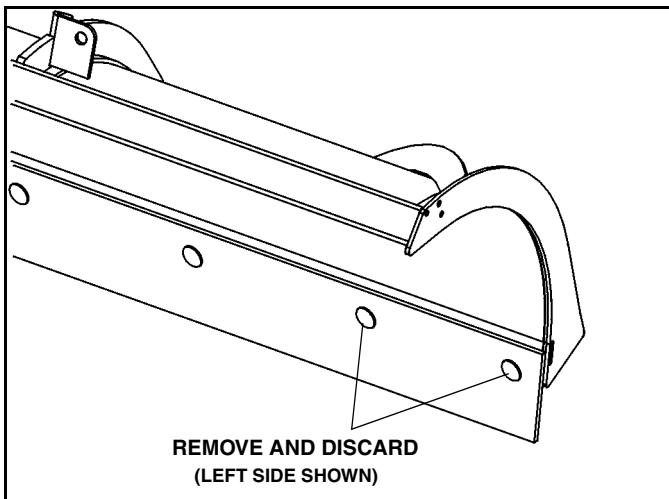


Figure 1-1

3. Align the hole on the left side curb guard that is closest to the 90 degree bend with the outer hole on the wearstrip on the left side (driver's side) of the blade. One of the other three holes in the curb guard will align with the inner hole on the wearstrip. (See Figure 1-2).

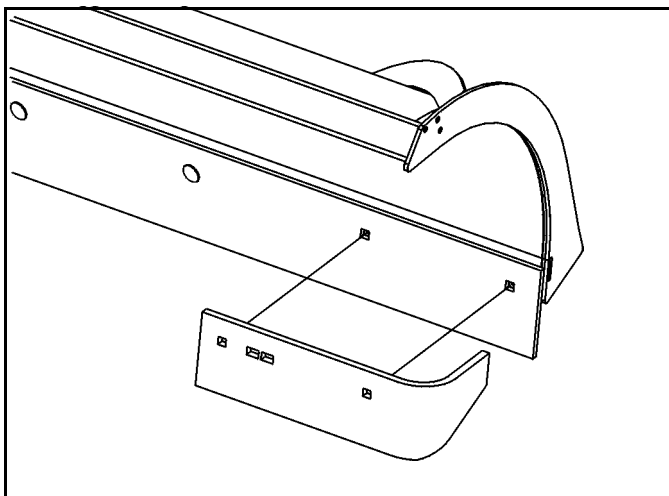


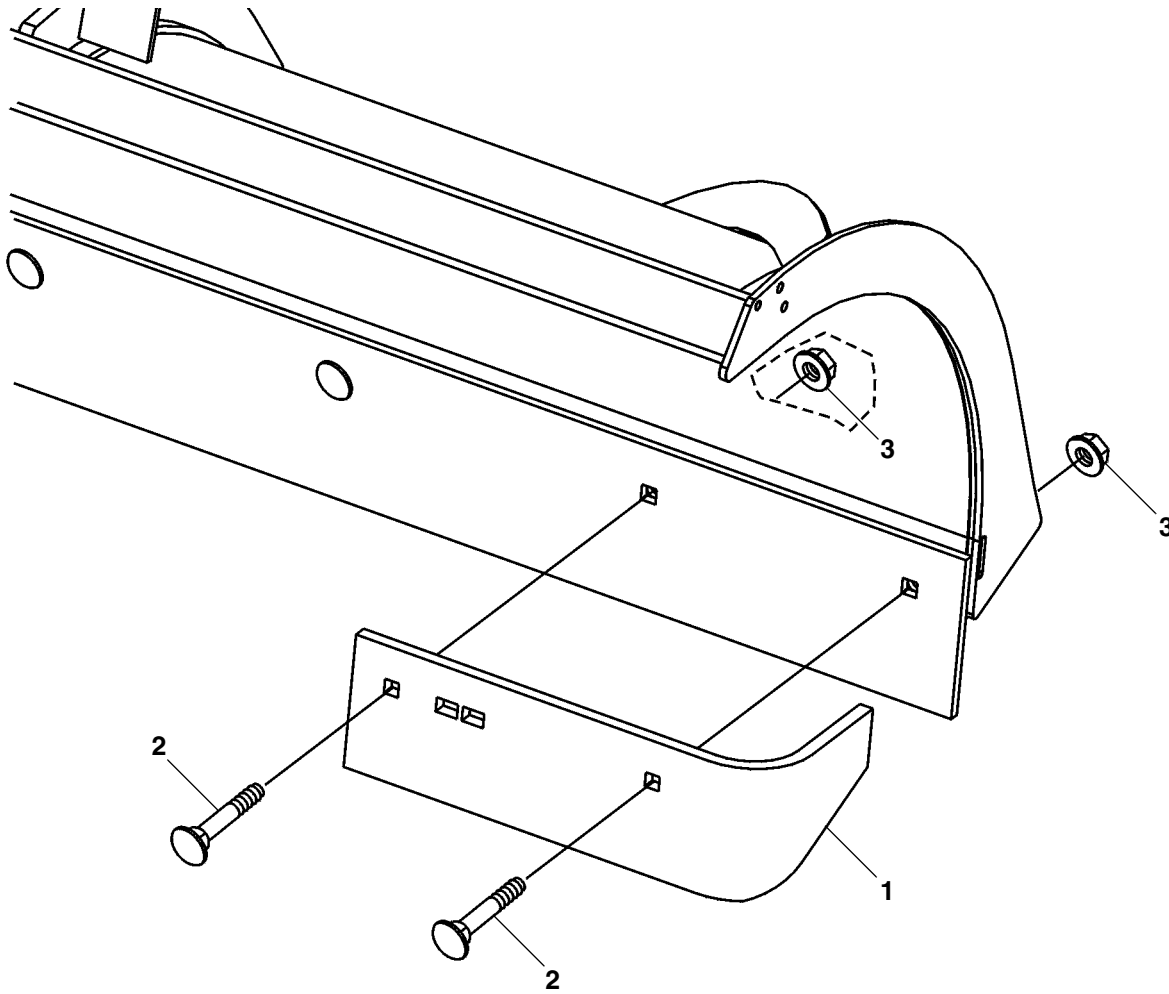
Figure 1-2

4. Insert 2" long carriage bolts from the parts bag through holes and secure with new lock nuts. Tighten hardware.

5. Repeat steps 2 and 3 on the right side (passenger's side) with the right side curb guard.

6. Raise plow blade and remove blocking. Lower blade to the ground.

PARTS LIST



ITEM	PART NO.	DESCRIPTION	QTY.
1	96108558	Curb Guard, LH.....	1
	96108189	Curb Guard, RH (not shown)	1
2	98009099	Carriage Bolt, 1/2-13 x 2".....	4
3	98009013	Nylock Nut, 1/2-13.....	4

SNO-WAY® INTERNATIONAL, INC.

SNO-WAY
SNOW & ICE CONTROL EQUIPMENT

Hartford, WI 53027 USA
Website: www.snoway.com
©2006 Sno-Way® International