

RIB GUARD INSTALLATION INSTRUCTIONS

PART NUMBER 99100901

FOR 26, 29, 29T, 32 AND 28V SERIES PLOWS



1. THINK SAFETY, ALWAYS WEAR SAFETY GLASSES WHEN PERFORMING THE OPERATIONS PRESCRIBED IN THESE INSTRUCTIONS
2. READ ALL INSTRUCTIONS CAREFULLY BEFORE ATTEMPTING INSTALLATION



1. Lower blade to the ground.

2. Place a Rib Guard against one end of the blade. The V cut end should be down, with the center of the lower hole 1/2" above the bottom of the rib.

The edge of the Rib Guard should be 1/4" behind the end rib on all plows except the 32 Series. On a 32 Series plow, the Rib Guard should be 1/8" behind the end rib. (See Figure 1-1)

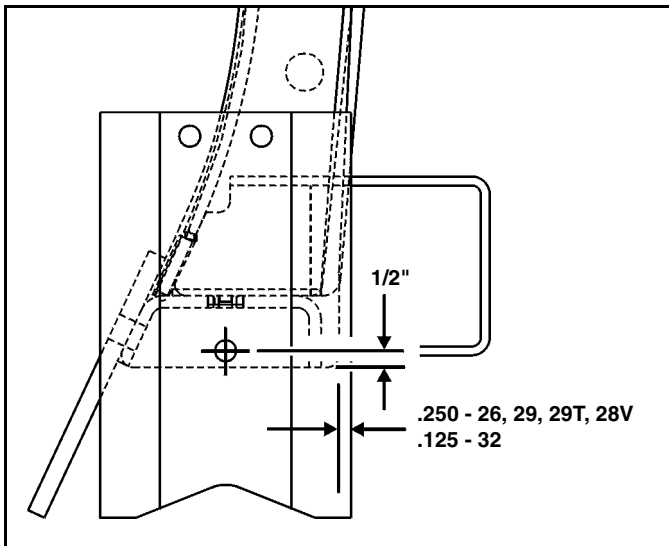


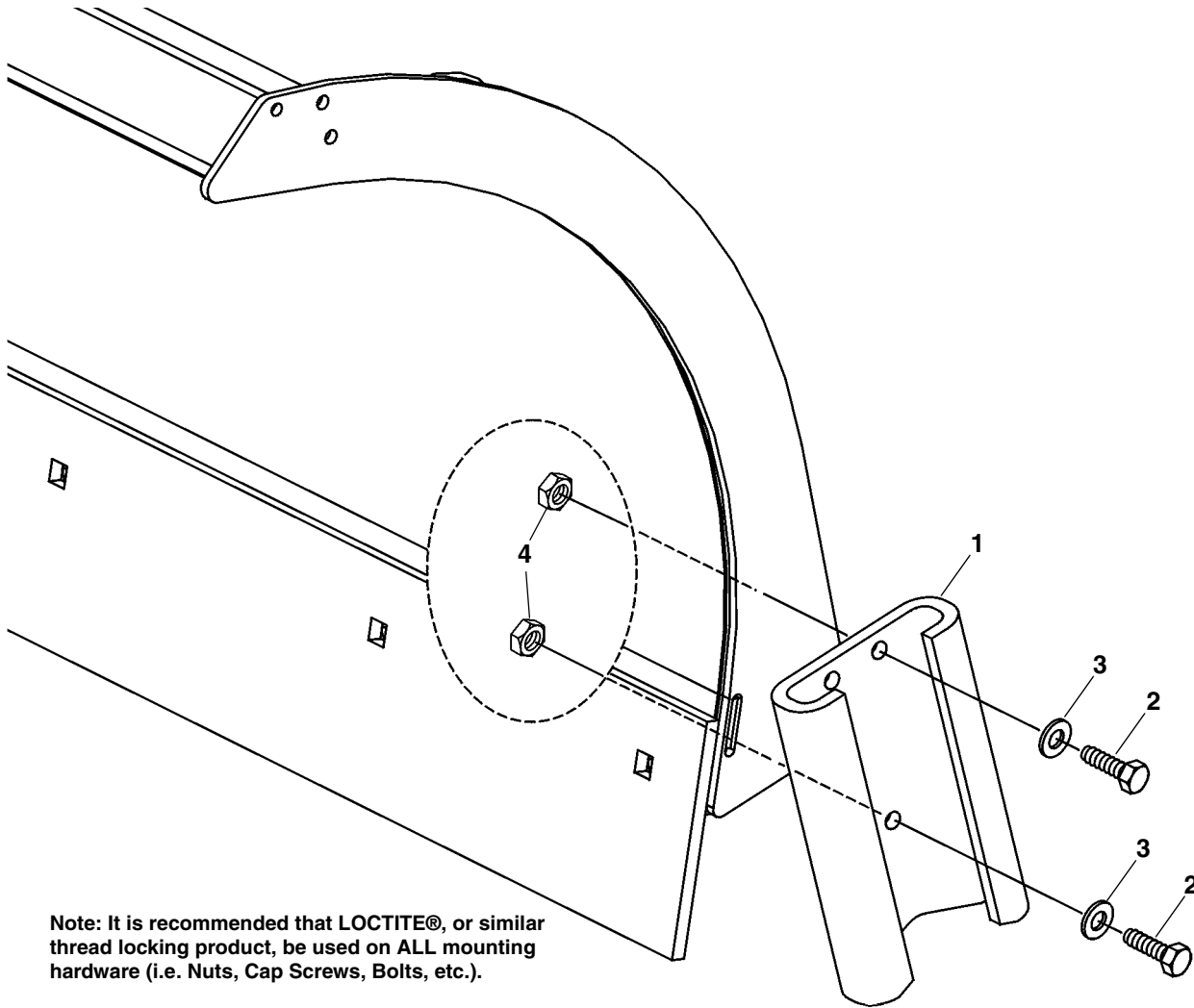
Figure 1-1

3. Mark the location of two of the holes on the end rib. Remove the Rib Guard and drill with a 13/32" drill bit.

4. Replace the Rib Guard and secure with two of the supplied 3/8" bolts, nuts, and washers.

5. Repeat steps 2 thru 4 on the opposite end of the blade to install the remaining Rib Guard.

PARTS LIST



ITEM	PART NO.	DESCRIPTION	QTY.
1	96108195	Rib Guard.....	2
2	98009256	Hex Head Cap Screw, 3/8-16 x 1-1/2"	4
3	98009032	Washer, 3/8	4
4	98009009	Nut, Nylock, 3/8-16.....	4

SNO-WAY® INTERNATIONAL, INC.



Hartford, WI 53027 USA
 Website: www.snoway.com
 ©2006 Sno-Way® International