

SNO-WAY®

SNOW & ICE CONTROL EQUIPMENT

WIRING DIAGRAM AND INSTALLATION INSTRUCTIONS

**FOR 99101326
ADAPTER KIT**

Sno-Way®· Down Pressure® and EIS® are registered trademarks of Sno-Way International, Inc.
ProControl™, MegaBlade™, V-Wing™, E-Z Switch™, Revolution™, MaxAdjust™, SpeedLock™, and
QuickJack™ are trademarks of Sno-Way International, Inc.

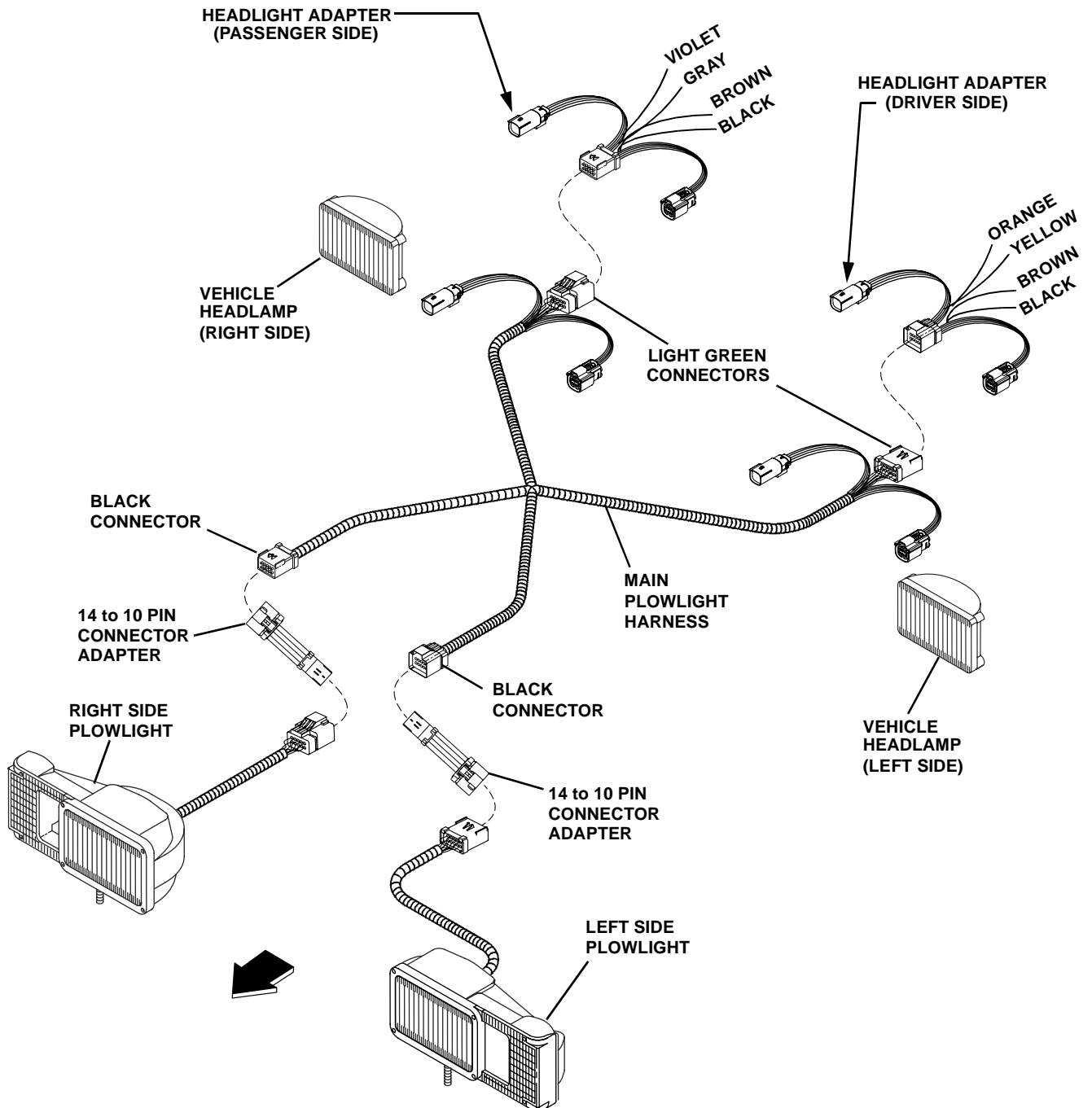
©2018 Sno-Way® International

97102123B

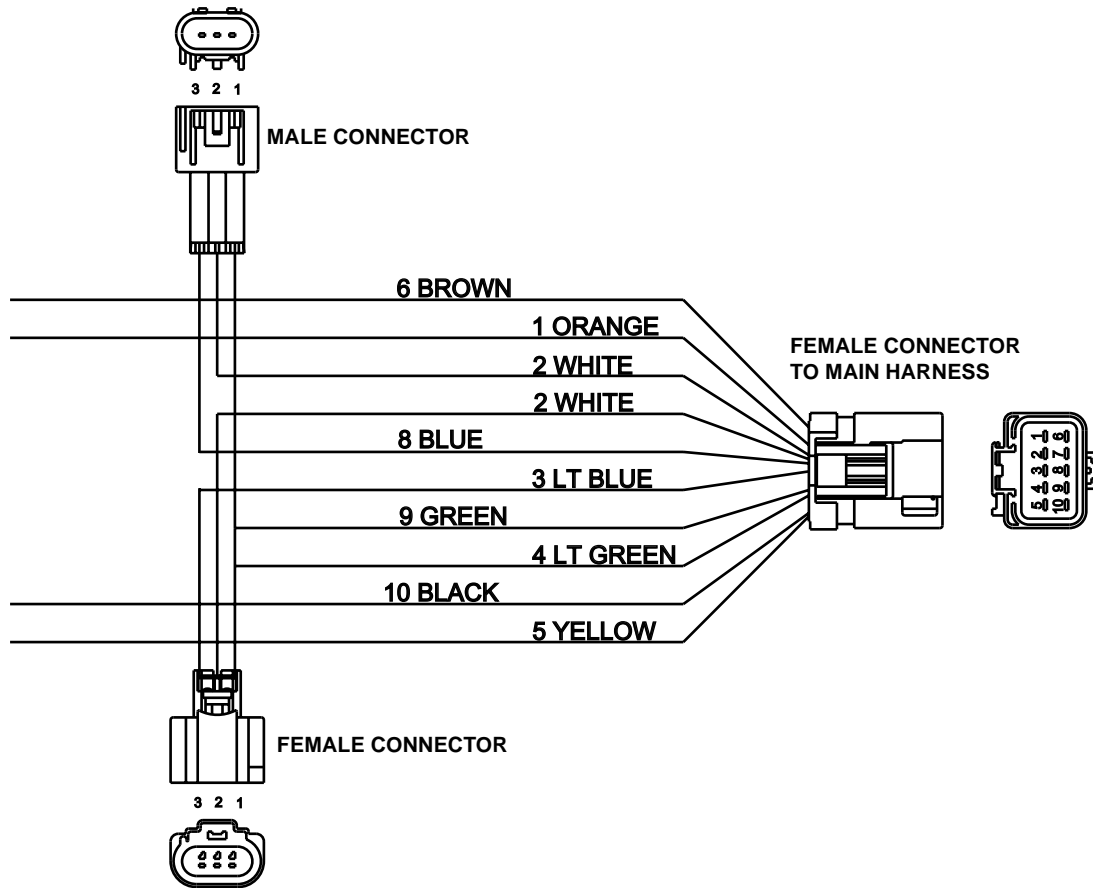
WIRING DIAGRAM



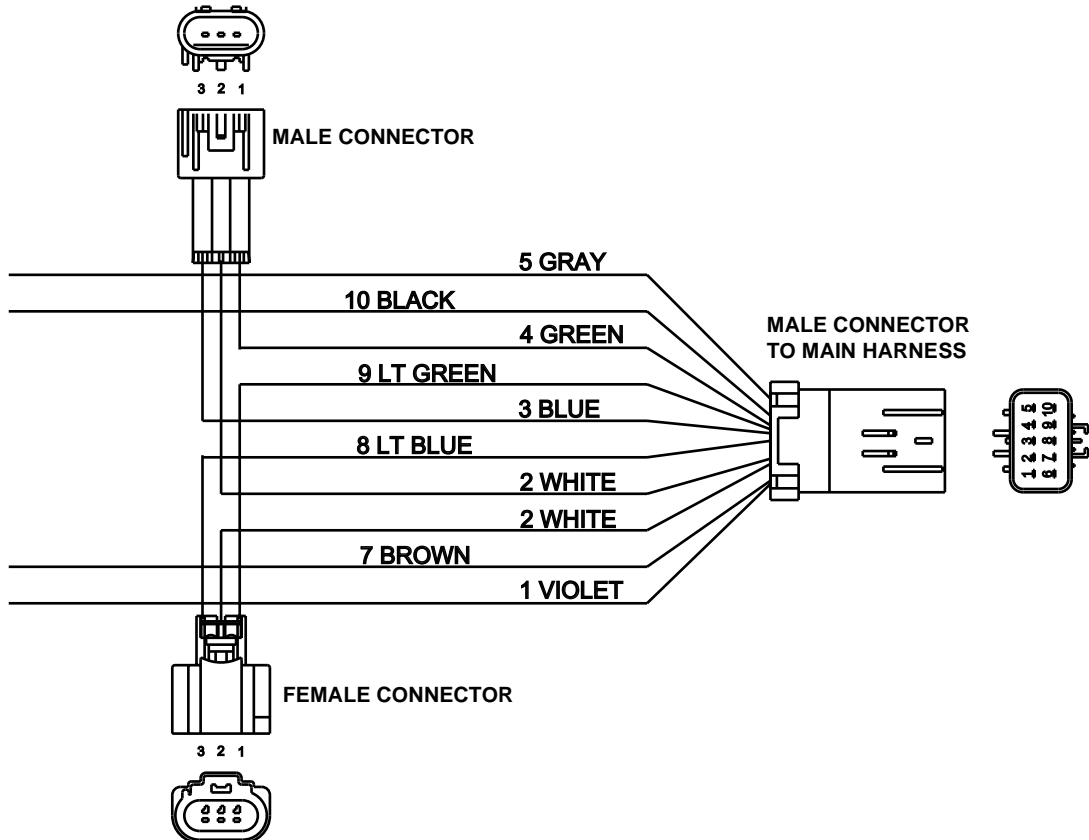
1. THINK SAFETY, ALWAYS WEAR SAFETY GLASSES WHEN PERFORMING THE OPERATIONS PRESCRIBED IN THESE INSTRUCTIONS
2. READ ALL INSTRUCTIONS CAREFULLY BEFORE ATTEMPTING INSTALLATION



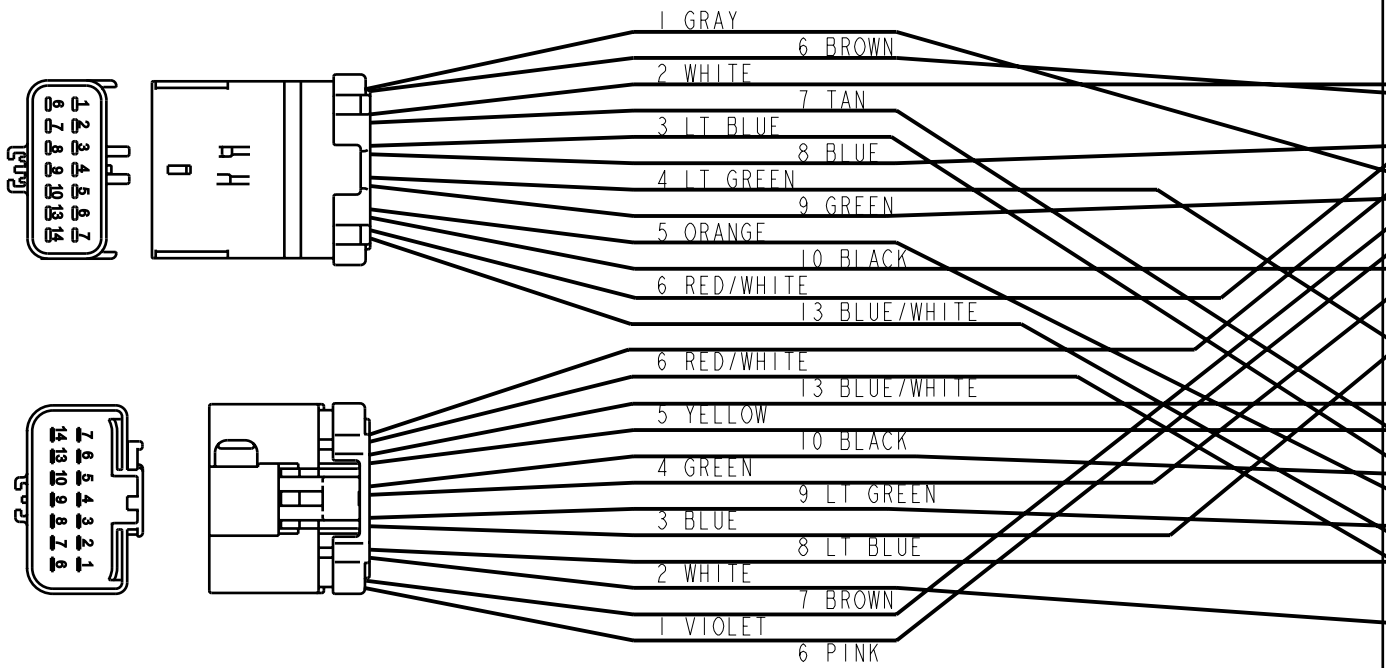
Headlight Adapter Schematic - Female (96116320) Driver Side



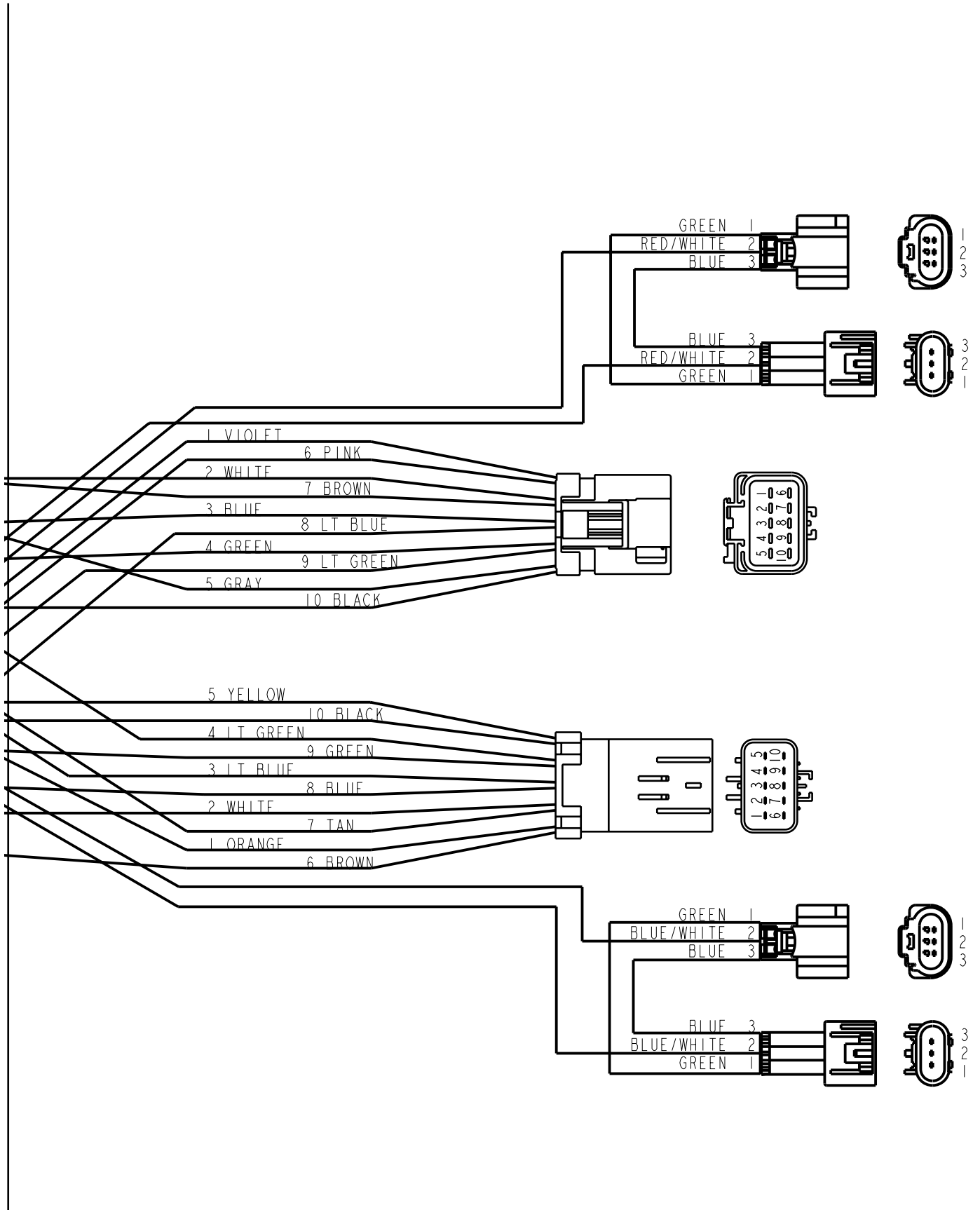
Headlight Adapter Schematic - Male (96116321) Passenger Side



Main EIS Adapter Schematic (96116821)



Main EIS Adapter Schematic (96116821) (Continued)



ADAPTER KIT INSTALLATION (Refer to Diagram)



CAUTION

- **THINK SAFETY, ALWAYS WEAR SAFETY GLASSES WHEN PERFORMING THE OPERATIONS PRESCRIBED IN THESE INSTRUCTIONS**
- **READ ALL INSTRUCTIONS CAREFULLY BEFORE ATTEMPTING INSTALLATION**

NOTE: This Adapter Kit does not require the Main EIS Harness from plow pack.

IMPORTANT: Use a dielectric compound on all connections, including Scotch-Lock® connectors, to prevent corrosion.

1. Locate the driver side plow headlamp harness. Inspect the black male 10 pin connector. If the violet wire is present in pin location 1 it must be removed from the connector and looming.
2. Locate the passenger side plow headlamp harness. Inspect the black male 10 pin connector. If the orange wire is present in pin location 5 it must be removed from the connector and looming.
3. Disconnect the vehicle headlight electrical connectors from the back of the vehicle headlamps.

NOTE: In order to disconnect some vehicle headlight connectors, it may be necessary to remove the headlamp assembly from the front of the vehicle, if the connector is not easily accessible.

4. Plug together the light green connectors on the main harness with the corresponding adapters needed for the vehicle. The driver's side connection has a yellow wire and the passenger side has a gray wire.

IMPORTANT: The correct adapters must be connected to each side for proper function.

5. Plug the headlight adapters into the vehicle on both sides. Plug the connectors from the Main EIS Adapter (96116821) into the lower headlights. The connectors coming from the Green adapter connector should plug into the upper headlights of the vehicle.
6. On the driver's side (Left Turn):
 - A. Locate the common wire to the left turn/park bulb on the vehicle harness. Using a Scotch-Lock® connector with dielectric compound, splice black headlight adapter wire to the vehicle's common wire.
 - B. Locate the left turn signal wire on the vehicle harness. At a suitable distance away from the turn signal connector, cut this wire. Using butt connectors, splice orange headlight adapter wire to the turn signal wire going to the turn signal lamp, and splice the yellow headlight adapter wire to the turn signal wire coming from the vehicle harness.

- C. Locate the left park wire on the vehicle harness. Using a Scotch-Lock® connector with dielectric compound, splice the brown headlight adapter wire to the vehicle's park wire.
4. On the passenger side (Right Turn):
 - A. Locate the common wire to the right turn/park bulb on the vehicle harness. Using a Scotch-Lock® connector with dielectric compound, splice black headlight adapter wire to the vehicle's common wire.
 - B. Locate the right turn signal wire on the vehicle harness. At a suitable distance away from the turn signal connector, cut this wire. Using butt connectors, splice violet headlight adapter wire to the turn signal wire going to the turn signal lamp, and splice the gray headlight adapter wire to the turn signal wire coming from the vehicle harness.
 - C. Locate the right park wire on the vehicle harness. Using a Scotch-Lock® connector with dielectric compound, splice the brown headlight adapter wire to the vehicle's park wire coming from the vehicle harness.
 4. Place the other end of the main harness on the outside of the grille.
 5. Open the 14-10 Pin Connector EIS Kit (96116760). Plug the corresponding 14-pin connectors of two harnesses to the main EIS harness ends that are coming out of the grill.
 6. Attach the main harness connectors to the right and left plow light headlamps. Turn on the vehicle lights and check operation. Check to make sure the vehicle headlights go out and plow headlights come on. Check park and turn signals.
 7. If disassembled, reassemble vehicle components.
 8. Secure the main harness to a safe location with electricians tape or plastic wire ties. Excess harness length should be neatly coiled and taped, or tied up out of the way.



CAUTION

Make sure that wire harness is routed away from all moving engine components. Example; fan, belts etc. DO NOT attach wire harness to hoses, radiator AC coils, exhaust manifolds, or control cables.

NOTES

SNO-WAY® INTERNATIONAL, INC.



Hartford, WI 53027 USA
Website: www.snoway.com
©2018 Sno-Way® International