

# **SNO-WAY**®

**SNOW & ICE CONTROL EQUIPMENT**

## **SERVICE PARTS MANUAL**

### **29VHD SERIES SNOW PLOW**

WITH SERIAL NUMBERS AFTER  
29VHD200000 and 29VHD100000

Sno-Way®· Down Pressure® and EIS® are registered trademarks of Sno-Way International, Inc.  
ProControl™, V-Wing™, Revolution™ and MaxAdjust™ are trademarks of Sno-Way International, Inc.

©2018 Sno-Way® International

97101729G

# TABLE OF CONTENTS

	Page
PARTS LIST INTRODUCTION .....	2
USING THIS PARTS LIST .....	2
PART DESCRIPTION ABBREVIATIONS .....	2
TOWER ASSEMBLY .....	3
POWER PACK FRAME.....	5
POWER PACK FRAME (Continued) .....	7
V-WING™ BLADE .....	9
HYDRAULIC SYSTEM .....	11
HYDRAULIC POWER UNIT.....	13
AUXILIARY LIGHTING .....	15
POWER PACK WIRING.....	17
NUMERICAL INDEX .....	19

**NOTE: For CONTROLLER SYSTEM WIRING - See Manual 97101915 - Snow Plow and Spreader Controls for parts breakdown and details.**

# PARTS LIST INTRODUCTION

Our dealership network stands by to provide you with any assistance you may require, including genuine Sno-Way service parts. All parts should be obtained from or ordered through your dealer. Give complete information about the part(s) at time of order, and include the Model and applicable Serial Numbers of your machine.

**NOTE: The Model and all Serial number information should be recorded on page two of your Installation and Owner's Manual for ease of reference. The location of these numbers on the machine is detailed in the manual as well.**

**"Right" and "Left" are determined from a position sitting on the Operators seat of the vehicle.**

We reserve the right to make changes or improvements in the design or construction of any part without incurring the obligation to install such changes in any unit previously delivered.

## USING THIS PARTS LIST

A sample parts listing is shown below:

- The **"ITEM"** in column one is the number used in the corresponding illustration.
- The **"PART NO."** in column two is the number used to order replacement parts. If a number does not appear in the column the part is only available by ordering the complete assembly.
- The **"DESCRIPTION"** in column three is the name of the replacement part. At times the name may be indented, this means that the indented parts are part of the preceding assembly.
- The **"QTY."** in column four is the quantity needed to service the assembly illustrated, not the complete product.

ITEM	PART NO.	DESCRIPTION	QTY.
1	96100083	O-ring	1
2	96001529	Elbow	3
3	98100036	Capscrew, Hex., 3/8"-16NC x 7/8"	9

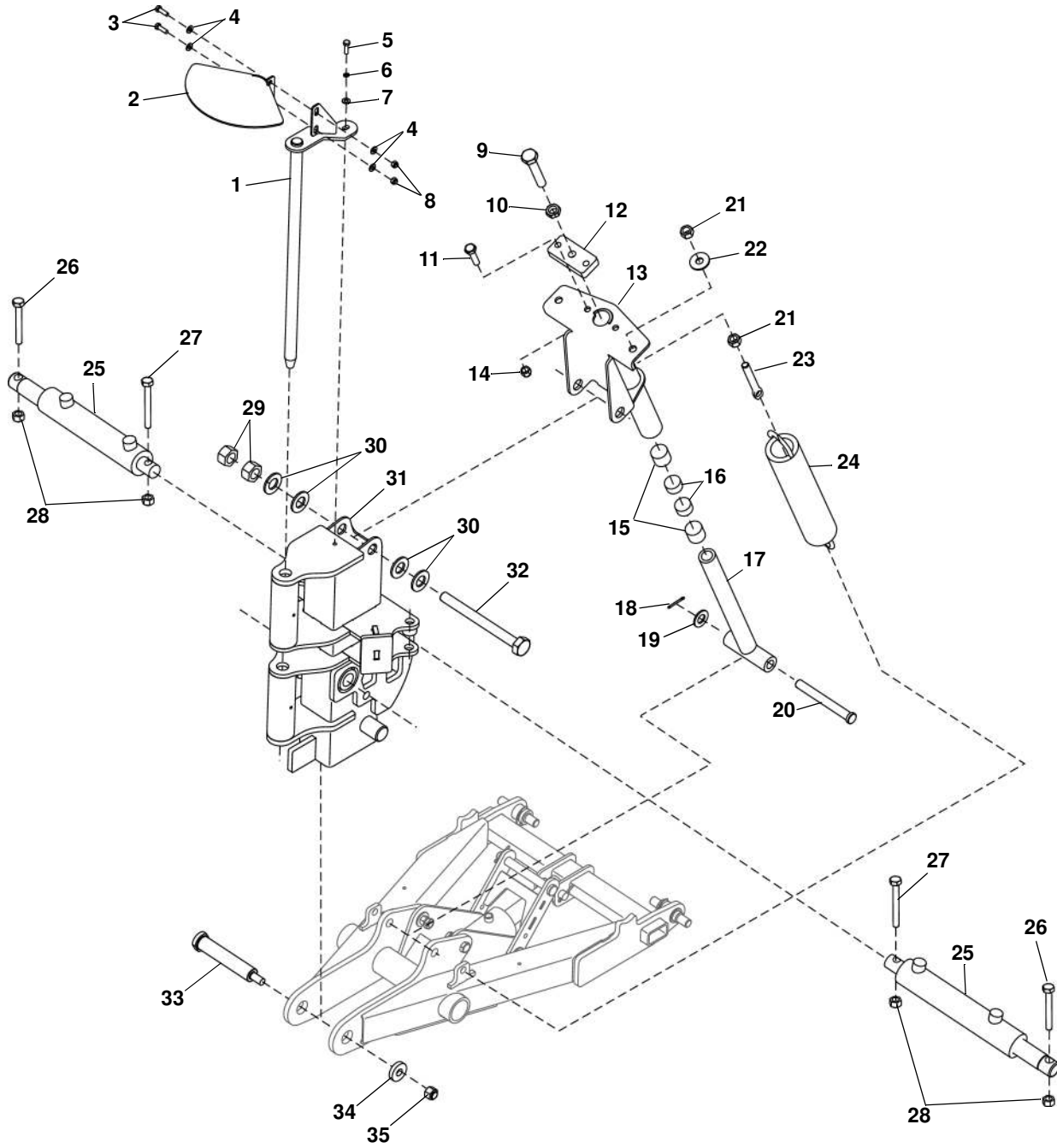
## PART DESCRIPTION ABBREVIATIONS

Our Part Descriptions use common industry standard abbreviations in the naming conventions for many individual items. The list below details the abbreviations commonly used throughout this manual. If a specific abbreviation is not listed, contact any Sno-Way Dealer for clarification.

ABBREV.	DESCRIPTION
BRKT	Bracket
CB	Carriage Bolt
CLP	Clevis Pin
COTP	Cotter Pin
DP	Down Pressure
DS	Driver Side
EB	Eye Bolt
GR	Grade
HDWE	Hardware
HHCS	Hex Head Cap Screw
HN	Hex Nut
HNILN	Hex Nylon Insert Locknut

ABBREV.	DESCRIPTION
HW	Hard Wired
HWH	Hex Washer Head
LN	Lock Nut
LW	Helical Lock Washer
PS	Passenger Side
PW	Plain Flat Washer
SHCS	Socket Head Cap Screw
SLT	Slotted
SS	Stainless Steel
ST	Self-Threading
UB	U-Bolt
WL	Wireless

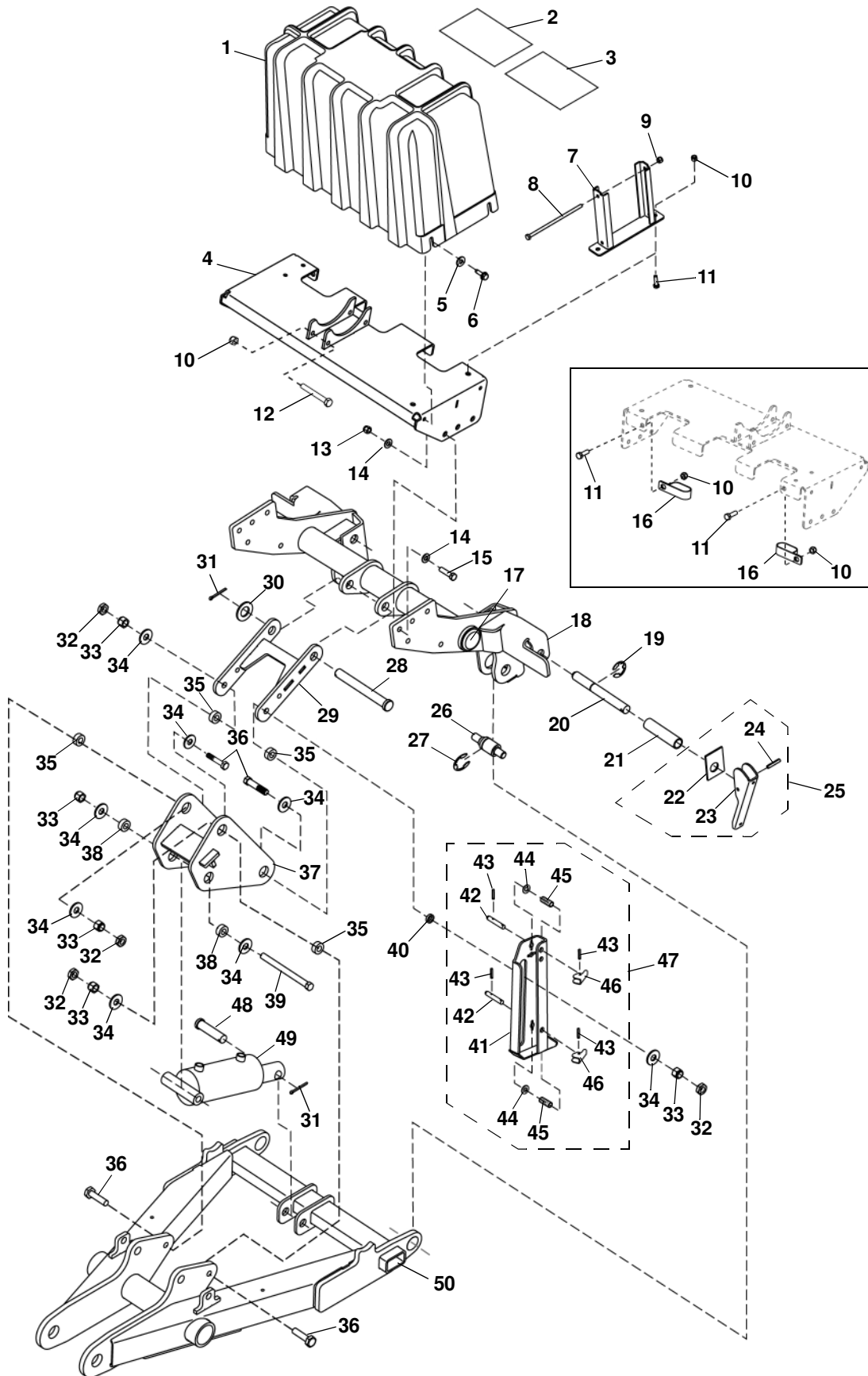
# TOWER ASSEMBLY



# TOWER ASSEMBLY

ITEM	PART NO.	DESCRIPTION	QTY
1	96111951	Pin, 29VHD .....	1
2	96112220	Center Deflector.....	1
3	98009149	Cap Screw, Hex Head, 5/16"-18 x 1.0" .....	2
4	98009024	Washer, Flat, 5/16" .....	4
5	98009022	Cap Screw, Hex Head, 3/8"-16 x 1.0" .....	1
6	98009008	Lock Washer, 3/8" .....	1
7	98009032	Washer, Flat, 3/8" .....	1
8	98009150	Locknut, 5/16"-18, Nylon Insert.....	3
9	98100455	Tap Bolt, 3/4"-10 x 4", UNC, Full Thread .....	1
10	98100473	Nut, Hex, 3/4"-10, Jam.....	1
11	98100010	Cap Screw, Hex Head. 1/2"-13 x 2" .....	2
12	96112894	Plate, Adjustment.....	1
13		Spring Holder, Top .....	1
14	98009013	Locknut, 1/2"-13, Nylon Insert.....	2
15	96114392	Bar, Stop .....	2
16	96111065	Stop.....	2
17	96113954	Spring Holder, Bottom .....	1
18	98009085	Cotter Pin, 5/32" x 1-1/2" .....	1
19	98009030	Washer, Flat, 3/4" .....	1
20	98100499	Clevis Pin, 3/4" x 6.5" .....	1
21	98009078	Nut, Hex, 5/8"-11 .....	4
22	98009039	Washer, Flat, 5/8" .....	2
23	96102781	Bolt, Spade, 5/8"-11 x 4.97" .....	2
24	96112891	Spring, Trip .....	2
25	96111453	Cylinder, Swing, Dual Action, 2" x 9-1/2", 29VHD .....	2
26	98100508	Cap Screw, Hex Head, 3/4"-10 x 4" .....	2
27	98009084	Cap Screw, Hex Head, 3/4"-10 x 4-1/2" .....	2
28	98009003	Locknut, 3/4"-10, Nylon Insert.....	4
29	98100511	Locknut, 1"-8, Nylon Insert.....	2
30	98009005	Washer, Flat, 1" .....	4
31	96114273	Tower .....	1
32	98100510	Cap Screw, Hex Head, 1"-8 x 8" .....	1
33	96112733	Pin, Tower Pivot .....	1
34	98100469	Washer, Special .....	1
35	98009038	Locknut, 5/8"-11, Nylon Insert.....	1

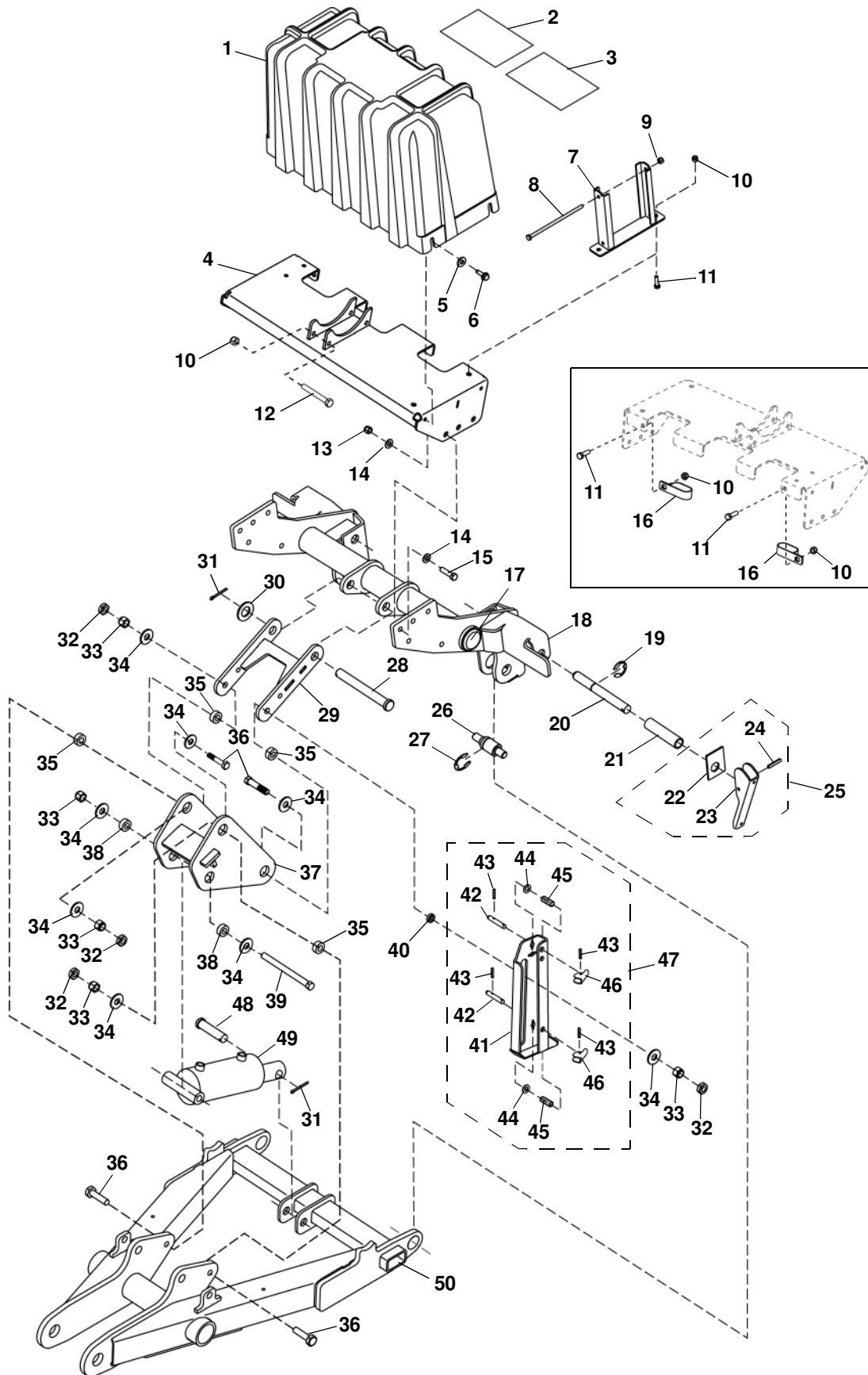
# POWER PACK FRAME



# POWER PACK FRAME

ITEM	PART NO.	DESCRIPTION	QTY
1	96114259	Pump Cover, 29VHD (SN 29VHD100000) .....	1
	96116277	Pump Cover, 29VHD (SN 29VHD200000) .....	1
2		Decal, 29VHD Pump Diagram.....	1
3		Decal, Install 29VHD .....	1
4	96113963	Platform, 29VHD (SN 29VHD100000) .....	1
	96116257	Platform, 29VHD (SN 29VHD200000) .....	1
5	98009230	Washer, Flat, 5/16" .....	4
6	98019176	Screw, Self-Tapping, Washer Head, 5/16"-18 x 1" .....	4
7	96106208	Bracket, Receiver.....	1
8	98100266	Cap Screw, Hex Head, 1/4"-20 x 6" .....	1
9	98100255	Locknut, 1/4"-20, Nylon Insert .....	1
10	98009150	Locknut, 5/16"-18, Nylon Insert .....	6
11	98009149	Cap Screw, Hex Head, 5/16"-18 x 1.0" .....	4
12	98100264	Cap Screw, Hex Head, 5/16"-18 x 2-1/4" .....	2
13	98009009	Locknut, 3/8"-16, Nylon Insert .....	10
14	98009032	Washer, Flat, 3/8" .....	20
15	98009034	Cap Screw, Hex Head, 3/8"-16 x 1.25" .....	6
16	96112500	Clamp, Hydraulic Hose.....	2
17	96108873	End Cap, Light Lift Bar, 29/32 .....	2
18	96114252	Lower Light Lift Bar, 29VHD .....	1
19	98100300	E-Ring, 1" .....	2
20	96107128	Pin, Quick Tach .....	2
21	96107130	Spring, Quick Tach .....	2
22	96107329	Plate, Bearing, Polyethylene .....	2
23	96110413	Cam Handle, QH 22/26/29/32 .....	2
24	98100313	Pin, Spring, 1/4" x 1-3/8" .....	2
25	96113472	Kit, Handle (Includes #23, 24, 25).....	2
26	96113978	Pin, Quick Tach, Hitch .....	1
27	98100500	E-Ring, 1.375" Shaft Dia. ....	1
28	98100499	Clevis Pin, 3/4" x 6.5" .....	1
29	96113957	Lift Link .....	1
30	98009030	Washer, Flat, 3/4" .....	1
31	98009085	Cotter Pin, 5/32" x 1-1/2".....	2
32	98100172	Nut, Hex, 1/2"-13, Jam .....	4
33	98009013	Locknut, 1/2"-13, Nylon Insert .....	5
34	98100176	Washer, Flat, 1/2" .....	8
35		Bushing .....	6
	96114402	Kit, Bushing (Includes bushings and all mounting hardware).....	1
36	98100062	Cap Screw, Hex Head, 1/2"-13 x 2-1/4" .....	4
37	96113951	Bellcrank.....	1
38	96114248	Spacer, Bellcrank.....	2
39	98100509	Cap Screw, Hex Head, 1/2"-13 x 6-1/8" .....	1

# POWER PACK FRAME (Continued)

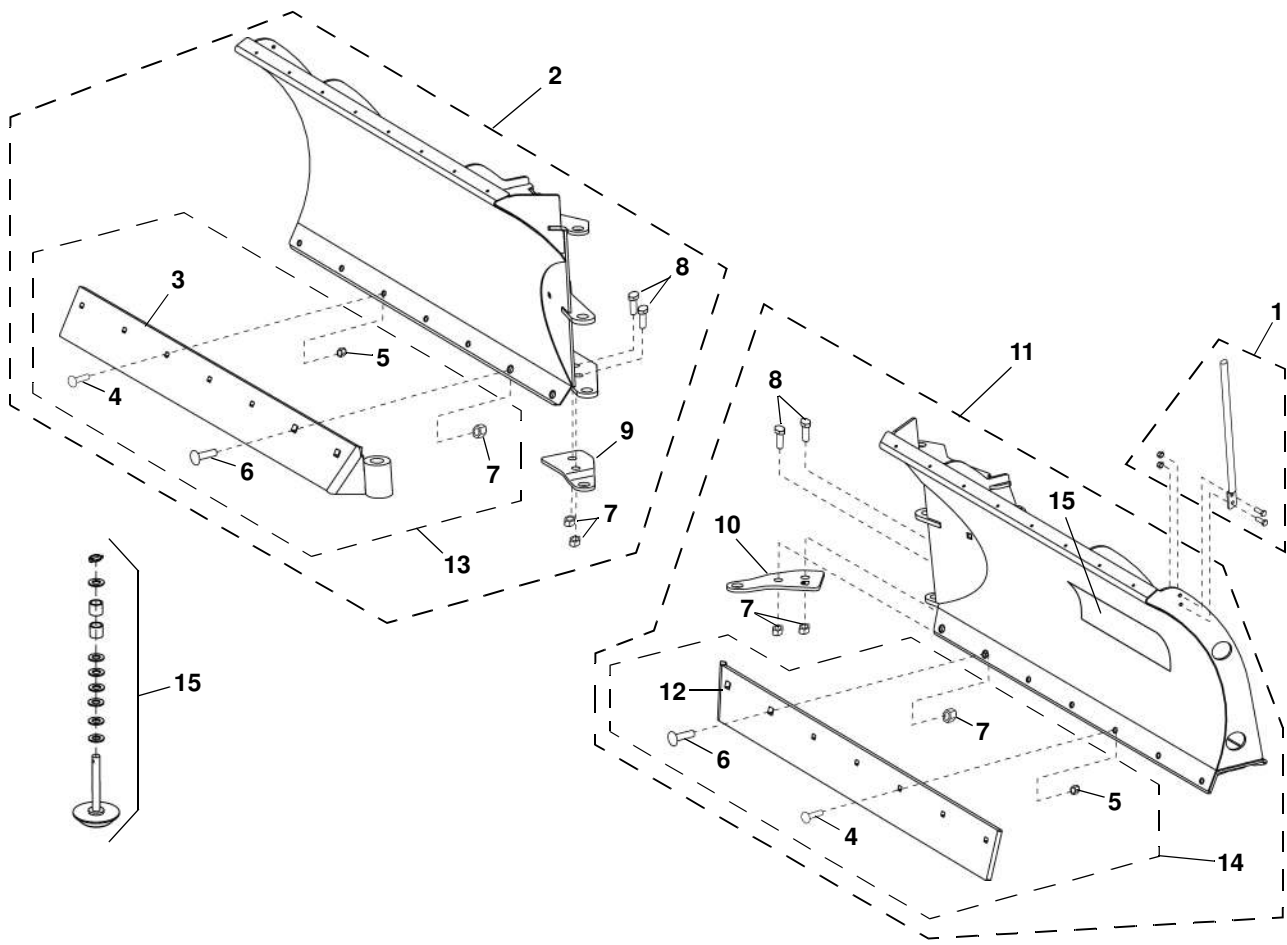




## POWER PACK FRAME (Continued)

ITEM	PART NO.	DESCRIPTION	QTY
40	96102168	Spacer, Stand .....	1
41	96105959	Jackstand .....	1
42	98009032	Washer, Flat, 3/8" .....	2
43		Spring, Tension .....	2
44		Pin, Latch .....	2
45		Roll Pin, 5/32" x 7/8" .....	4
46	96106540	Cam, Jackstand .....	2
47	96107346	Jackstand Assembly .....	1
	96107711	Kit, Jackstand Hardware (Not shown) (Includes 1 each - items 42 - 44, 46; 2 each item 45 .....	2
48	98100040	Pin, Clevis, 3/4" x 3" .....	1
49	96106077	Cylinder, Lift, Down Pressure .....	1
50	96114275	A-Frame Assembly 29VHD .....	1

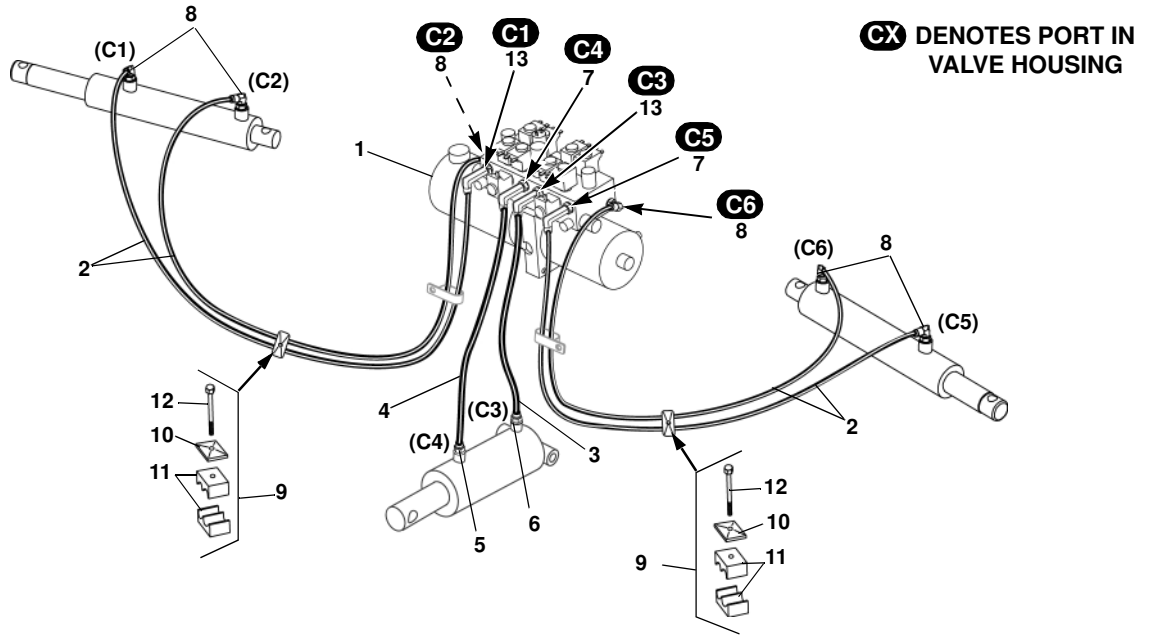
# V-WING™ BLADE



# V-WING™ BLADE

ITEM	PART NO.	DESCRIPTION	QTY
1	96112352	Kit, Blade Guide (Yellow ..... Cap Screw, Hex Head, 5/16"-18 x 1" SS (Included with item #1)..... Locknut, 5/16"-18, SS (Included with item #1).....	2 2 2
2	96113820	Pkg Wing 29VHD, PS .....	1
3		Wearstrip, 29VHD, PS .....	1
4	98100481	Carriage Bolt, 1/2"-13 x 1-3/4" .....	10
5	98009013	Locknut, 1/2"-13, Nylon Insert.....	10
6	98100482	Carriage Bolt, 3/4"-10 x2" .....	4
7	98009003	Locknut, 3/4"-10, Nylon Insert.....	8
8	98009001	Cap Screw, Hex Head, 3/4"-10 x 2.50" .....	4
9	96113365	Support Plate, Lower Hinge, PS .....	1
10	96113364	Support Plate, Lower Hinge, DS .....	1
11	96113818	Pkg Wing, 29VHD, DS .....	1
12		Wearstrip, 29VHD, DS .....	1
13	96113318	Wearstrip Kit, 29VHD, PS (Includes item 3 and hardware) .....	1
14	96113319	Wearstrip Kit, 29VHD, DS (Includes item 12 and hardware) .....	1
15	97101835	Decal, Sno-Way .....	1
16	96113394	Shoe Assembly .....	4

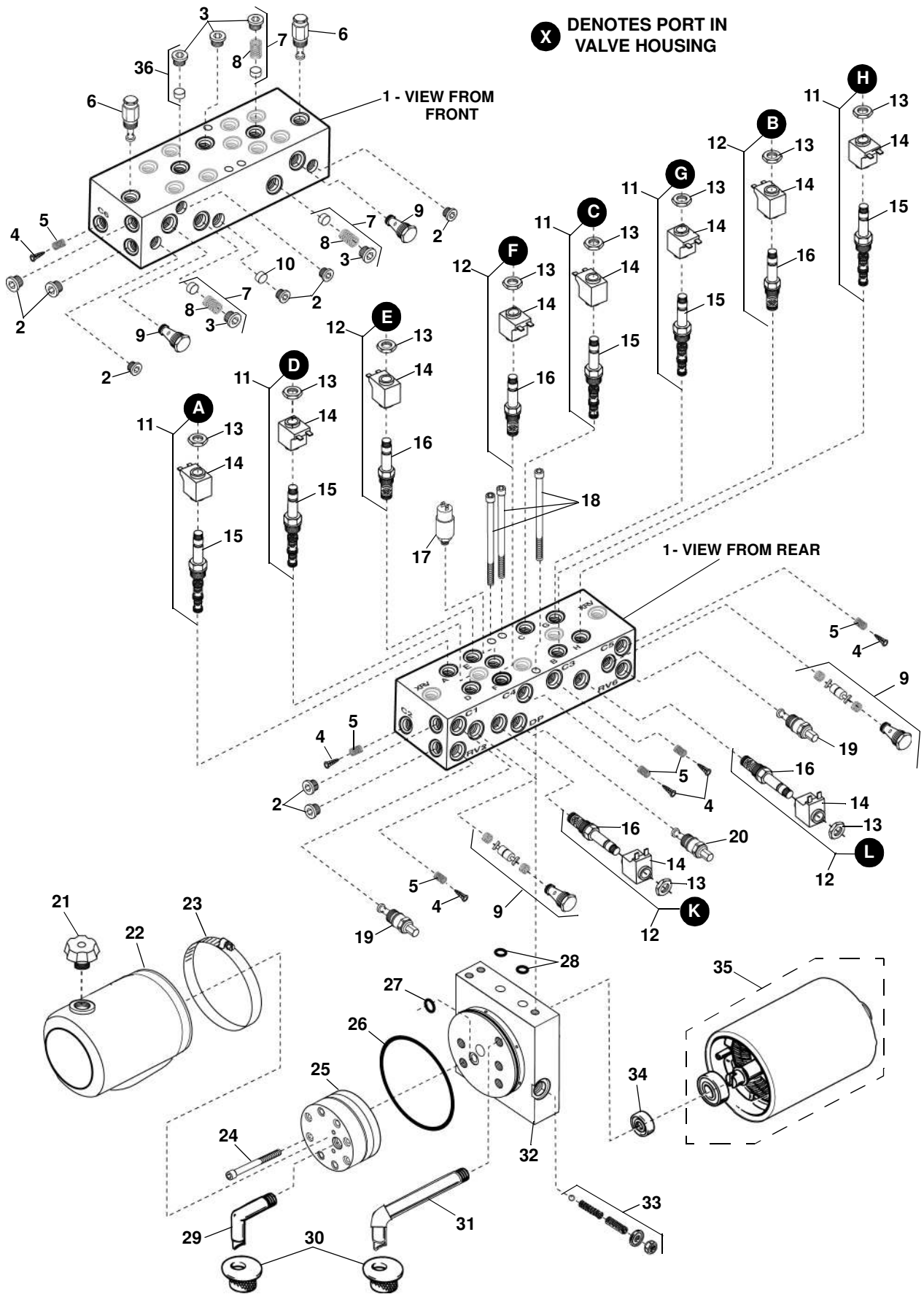
# HYDRAULIC SYSTEM



# HYDRAULIC SYSTEM

ITEM	PART NO.	DESCRIPTION	QTY
1	96114262	Power Unit, 29VHD.....	1
2	96114263	Hose, Hydraulic, 61" (Valve Port #C1, C2, C5, C6) .....	4
3	96114264	Hose, Hydraulic, 22" (Valve Port #C3) .....	1
4	96112923	Hose, Hydraulic, 20" (Valve Port #C4) .....	1
5	96100000	Fitting, Straight Connector .....	1
6	96100003	Fitting, Elbow, 45° .....	1
7	96114398	Fitting, Elbow, Long, 90°, 2-1/2" .....	2
8	96100001	Fitting, Elbow, 90° .....	6
9	96114403	Kit, Hose Clamp, 29VHD (Includes #11, 12, 13).....	2
10		Clamp, Top Plate.....	2
11		Clamp, Plastic, Medium .....	2
12		Screw, Hex, Self-threading 5/16"-18 x 2.00" .....	2
13	96112893	Fitting, Elbow, Long, 90°, 2" .....	2

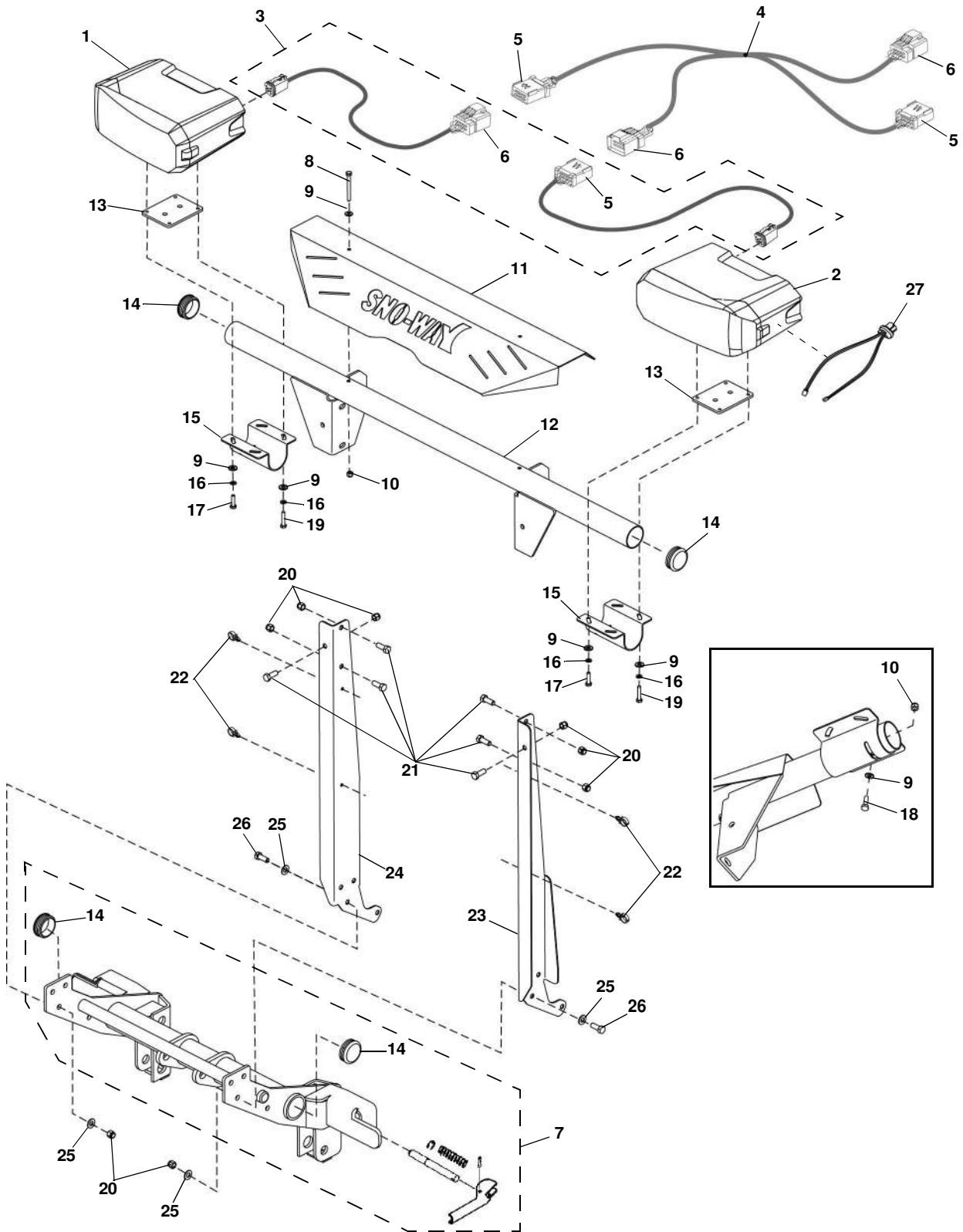
# HYDRAULIC POWER UNIT



# HYDRAULIC POWER UNIT

ITEM	PART NO.	DESCRIPTION	QTY
1		Valve Housing.....	1
2	96105234	Plug, SAE O-Ring, 7/16"-20.....	8
3	96105240	Plug, SAE O-Ring, 9/16"-18.....	5
4	96105250	Filter Screen, Pressure Ports.....	6
5	96105251	Spring, Retaining, Port Filter.....	6
6	96112553	Valve, Relief, Crossover (2600 psi).....	2
7	96114413	Poppet, Check (Includes Spring, check and plug #3).....	3
8		Spring, Light Check Valve, M-SR.....	3
9	96112948	Kit, Check Valve (Includes 2 check valves, 1 piston Assembly and 2 springs per kit).....	2
10	96106100	Plug, Orifice, #50, 1/16" NPT.....	1
11	96112584	Kit, Valve, 3-way (Includes #15, 16, 17).....	5
12	96112583	Kit, Valve, 2-way (Includes# 15, 16, 18).....	5
13	96105275	Nut, Coil.....	10
14	96111171	Coil, 10 VDC.....	10
15	96108324	Cartridge, 3W/2P.....	5
16	96108325	Cartridge, 2W/2P.....	5
17	96100311	Switch, Pressure (525 psi).....	1
18	96105237	Screw, Socket Head, 1/4"-20 x 3".....	3
19	96114439	Valve, Relief, Green Spring, Wing (3000 psi).....	2
20	96114408	Valve, Relief, Yellow Spring, Down Pressure (680-720 psi).....	1
21	96105244	Plug, Breather.....	1
22	96105241	Reservoir, Plastic.....	1
23	96105231	Clamp.....	1
24		SHCS.....	4
25	96105735	Pump Assembly.....	1
26	96105315	O-Ring, 3-5/8" x 3-7/8" x 1/8".....	1
27	96105316	O-Ring, 1/2" x 5/8" x 1/16".....	1
28	96105314	O-Ring, 5/8" x 3/4" x 1/16".....	2
29	96105737	Tube, Suction, 90°, 3/8" NPT.....	1
30	96105245	Filter, Screen.....	2
31	96114440	Tube, Return, 45°, 3/8" NPT.....	1
32		Base Assembly, Pump.....	1
33	96105313	Kit, System Relief Valve.....	1
34	96105317	Seal, Shaft.....	1
35	96115554	Motor, 12VDC, 4.5" (Includes #39, 40, 41).....	1
36	96114438	Kit, Check Valve (Includes check and plug #3).....	1

# AUXILIARY LIGHTING

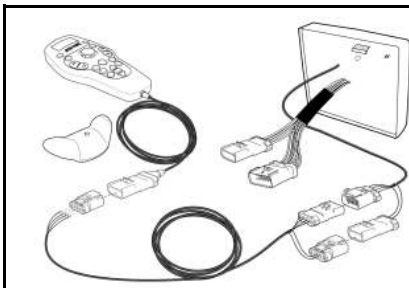
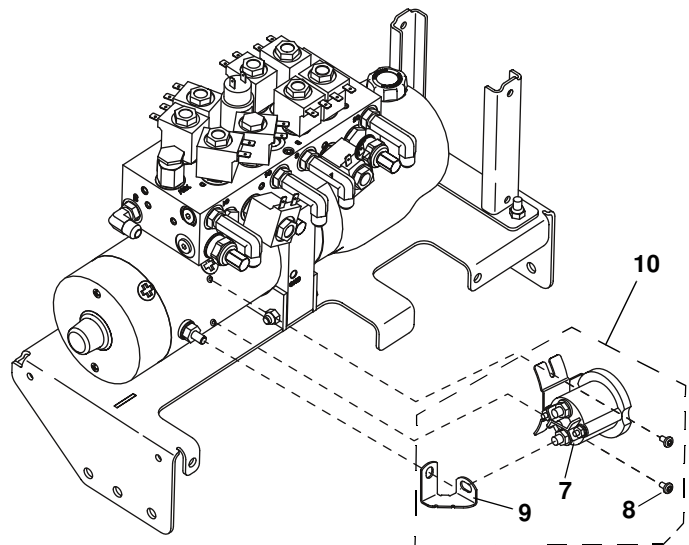
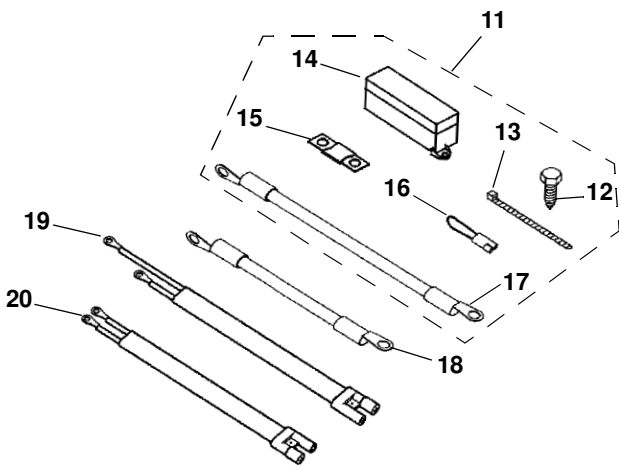
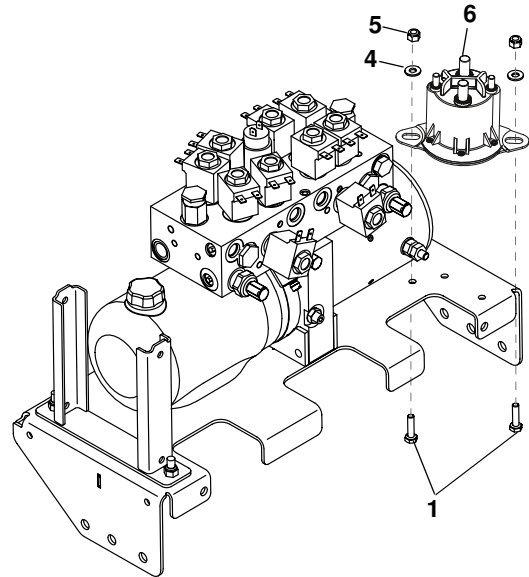
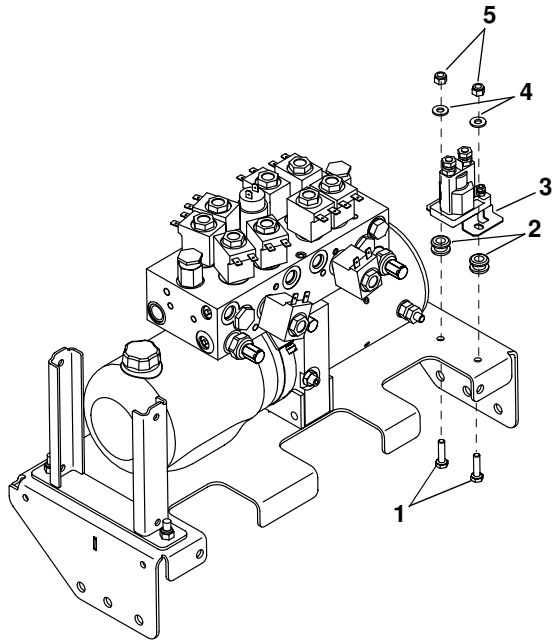




# AUXILIARY LIGHTING

ITEM	PART NO.	DESCRIPTION	QTY
1	96113768	Light Assembly, Composite, PS, EIS.....	1
2	96113767	Light Assembly, Composite, DS, EIS.....	1
3	96110260	Kit, Harness, Plow Light, EIS.....	1
4	96115630	Harness, Main Light, EIS.....	1
5	96108116	Connector, Male.....	3
6	96108117	Connector, Female .....	3
7	96114252	Assembly, Light/Lift Bar, Quick-Attach.....	1
8	98100049	Capscrew, Hex, 1/4"-20 x 2-1/2", SS.....	2
9	98100240	Washer, Flat, 1/4", SS.....	12
10	98100336	Nut, Hex, Nylock, 1/4"-20, SS.....	1
11	96113645	Plate, Sno-Way, Front.....	1
12	96113690	Weldment, Upper Light Bar .....	1
13	96113649	Isolator, Rubber .....	2
14	96108873	End Cap, 2" .....	4
15	96113583	Bracket, Light Assembly .....	2
16	98009226	Washer, Lock, 1/4", SS.....	4
17	98100129	Capscrew, Hex, 1/4"-20 x 1", SS.....	4
18	98100343	Capscrew, Hex, 1/4"-20 x 7/8", SS.....	2
19	98100335	Capscrew, Hex, 1/4"-20 x 1-1/4", SS.....	4
20	98009009	Nut, Hex, Nylock, 3/8"-16.....	14
21	98009022	Capscrew, Hex, 3/8"-16 x 1".....	6
22	96100440	Clip, Rosebud .....	4
23	96113693	Support, DS .....	1
24	96113694	Support, PS .....	1
25	98009032	Washer, Flat, 3/8" .....	16
26	98009034	Capscrew, Hex, 3/8"-16 x 1-1/4".....	8
27	96115629	Kit, Repair, Light Harness (Internal).....	1

# POWER PACK WIRING



**NOTE:** See manual 97101915 - Snow Plow and Spreader Controls, for parts breakdown and details on your specific control. Image is only a representation of a controller and may not reflect actual product.

# POWER PACK WIRING

ITEM	PART NO.	DESCRIPTION	QTY
1	98009027	Capscrew, Hex, 1/4"-20 x 1" .....	2
2	96105282	Grommet, 3/8" ID .....	2
3	96002086	Switch, Solenoid (Platform mounted).....	1
4	98100254	Washer, Flat, 1/4" .....	2
5	98100255	Nut, Hex, Nylock, 1/4"-20.....	2
6	96115722	Switch, Solenoid .....	1
7	96115526	Switch, Solenoid (Motor mounted).....	1
8	98100559	TPHS, #10-32 x 5/16" .....	2
9	96115527	Strap, Copper.....	1
10	96115528	Kit, Solenoid Switch (SN 29VHD200000) (Includes items 7-9) .....	1
11	96105167	Bag, Power Harness Parts .....	1
12	98100037	Screw, Self-Tapping, #10-16 x 1" .....	2
13		Strap, Tie, Plastic .....	2
14	96109143	Fuse Holder .....	1
15	96109142	Fuse, 250 amp.....	1
16	96105082	Cap, Protective .....	2
17	96102891	Cable, Power .....	1
18	96105273	Harness, Solenoid - HT Series .....	1
19	96114397	Harness, Plow Power .....	1
20	96104221	Harness, Battery Power .....	1

# NUMERICAL INDEX

PART NO.	PAGE	ITEM	PART NO.	PAGE	ITEM	PART NO.	PAGE	ITEM
96002086	18	3	96107329	6	22	96113693	16	23
96100000	12	5	96107346	8	47	96113694	16	24
96100001	12	8	96107711	8	47	96113767	16	2
96100003	12	6	96108116	16	5	96113768	16	1
96100311	14	17	96108117	16	6	96113818	10	11
96100440	16	22	96108324	14	15	96113820	10	2
96102168	8	40	96108325	14	16	96113951	6	37
96102781	4	23	96108873	6	17	96113954	4	17
96102891	18	16		16	14	96113957	6	29
96104221	18	19	96109142	18	14	96113963	6	4
96105082	18	15	96109143	18	13	96113978	6	26
96105167	18	10	96110260	16	3	96114248	6	38
96105231	14	23	96110413	6	23	96114252	6	18
96105234	14	2	96111065	4	16		16	7
96105237	14	18	96111171	14	14	96114259	6	1
96105240	14	3	96111453	4	25	96114262	12	1
96105241	14	22	96111951	4	1	96114263	12	2
96105244	14	21	96112220	4	2	96114264	12	3
96105245	14	30	96112352	10	1	96114273	4	31
96105250	14	4	96112500	6	16	96114275	8	50
96105251	14	5	96112553	14	6	96114392	4	15
96105273	18	17	96112583	14	12	96114397	18	18
96105275	14	13	96112584	14	11	96114398	12	7
96105282	18	2	96112733	4	33	96114402	6	35
96105313	14	33	96112891	4	24	96114403	12	9
96105314	14	28	96112893	12	13	96114408	14	20
96105315	14	26	96112894	4	12	96114413	14	7
96105316	14	27	96112923	12	4	96114438	14	36
96105317	14	34	96112948	14	9	96114439	14	19
96105735	14	25	96113318	10	13	96114440	14	31
96105737	14	29	96113319	10	14	96115526	18	7
96105959	8	41	96113364	10	10	96115527	18	9
96106077	8	49	96113365	10	9	96115528	18	6
96106100	14	10	96113394	10	16	96115554	14	35
96106208	6	7	96113472	6	25	96115629	16	27
96106540	8	46	96113583	16	15	96115630	16	4
96107128	6	20	96113645	16	11	96115722	18	6
96107130	6	21	96113649	16	13	96116204	18	10
			96113690	16	12	96116257	6	4

# NUMERICAL INDEX

PART NO.	PAGE	ITEM
96116277	6	1
97101835	10	15
98009001	10	8
98009003	4	28
	10	7
98009005	4	30
98009008	4	6
98009009	6	13
	16	20
98009013	4	14
	6	33
	10	5
98009022	4	5
	16	21
98009024	4	4
98009027	18	1
98009030	4	19
	6	30
98009032	4	7
	6	14
	8	42
	16	25
98009034	6	15
	16	26
98009038	4	35
98009039	4	22
98009078	4	21
98009084	4	27
98009085	4	18
	6	31
98009149	4	3
	6	11
98009150	4	8
	6	10
98009226	16	16
98009230	6	5
98019176	6	6
98100010	4	11
98100037	18	11
98100040	8	48
98100049	16	8
98100062	6	36

PART NO.	PAGE	ITEM
98100129	16	17
98100172	6	32
98100176	6	34
98100240	16	9
98100254	18	4
98100255	6	9
	18	5
98100264	6	12
98100266	6	8
98100300	6	19
98100313	6	24
98100335	16	19
98100336	16	10
98100343	16	18
98100455	4	9
98100469	4	34
98100473	4	10
98100481	10	4
98100482	10	6
98100499	4	20
	6	28
98100500	6	27
98100508	4	26
98100509	6	39
98100510	4	32
98100511	4	29
98100559	18	8

PART NO.	PAGE	ITEM
----------	------	------

# NOTES

# NOTES

---

**SNO-WAY® INTERNATIONAL, INC.**

**SNO-WAY**  
**SNOW & ICE CONTROL EQUIPMENT**

Hartford, WI 53027 USA  
Website: [www.snoway.com](http://www.snoway.com)  
©2018 Sno-Way® International