

# SNO-WAY E-Z FIT SNOW DEFLECTOR (P/N 99100999) INSTALLATION INSTRUCTIONS FOR 26V, 29VHD, MEGA BLADE V-WING SERIES PLOWS



1. THINK SAFETY, ALWAYS WEAR SAFETY GLASSES WHEN PERFORMING THE OPERATIONS PRESCRIBED IN THESE INSTRUCTIONS
2. READ ALL INSTRUCTIONS CAREFULLY BEFORE ATTEMPTING INSTALLATION



1. For 29VHD or Mega Blade V-Wing Plows skip to step 8.

2. For 26V lay both deflectors (#1) upside down end to end on the floor.

3. Cut out 26V templet and fold on marked lines. (See templet part #97102186.)

4. Lay templet onto 1st deflector as shown in Figure 1. Draw a line along edge of templet.

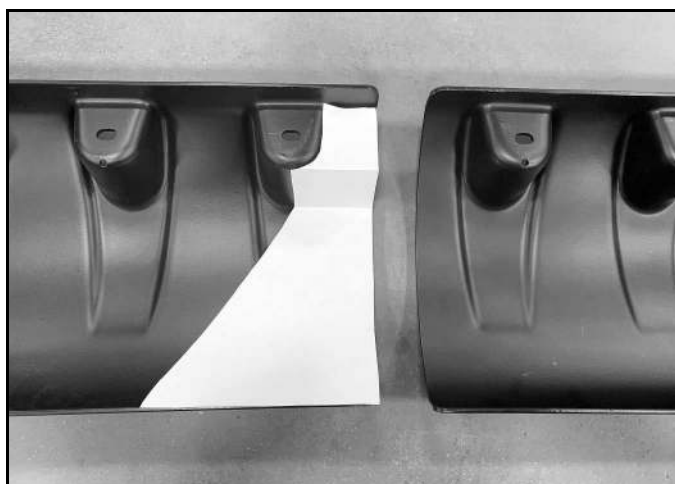


Figure 1

5. Reverse folds and lay templet onto 2nd deflector as shown in Figure 2. Draw a line along edge of templet.

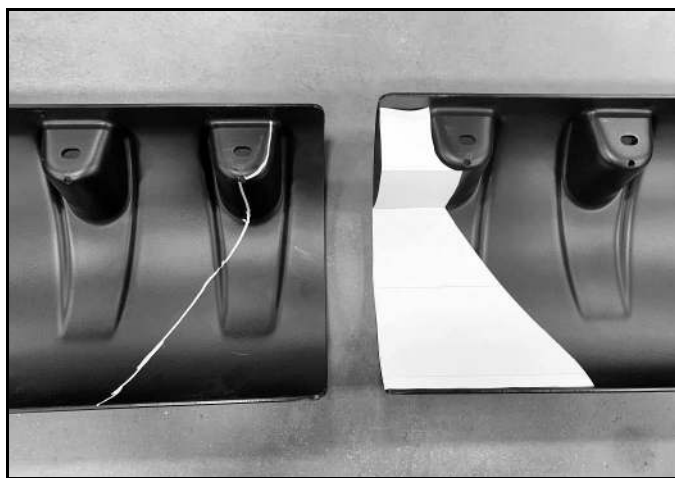


Figure 2

6. Lines should appear as in Figure 3. Cut along lines with a reciprocating saw. File edges smooth.

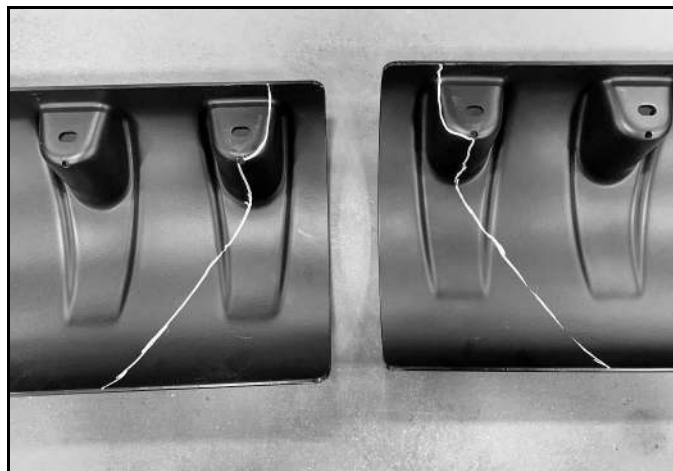


Figure 3

7. Trim end opposite of cut from step 6 to fit around plow marker.

8. Lower the snow plow blade to a flat, level surface. To prevent accidental operation of the blade, disconnect power connection from vehicle.

9. Position the DS Snow Deflector section (#1) to the outside top edge of the DS V-Blade wing. Clamp the deflector flat against the top of blade using a padded bus bar or spring clamp. Install (1) 1/4"-20 x 1-1/4" Hex Head Cap Screw (#4) and (1) 1/4" ID x 1-1/2" OD x 1/8" Thick Fender Washer (#5) through the hole in the deflector closest to the end of the blade. Loosely install (1) 1/4" ID x 1-1/2" OD x 1/16" Thick Fender Washer (#6) and (1) 1/4" x 20 Locknut (#7) on the cap screw. (See Figure 4.)

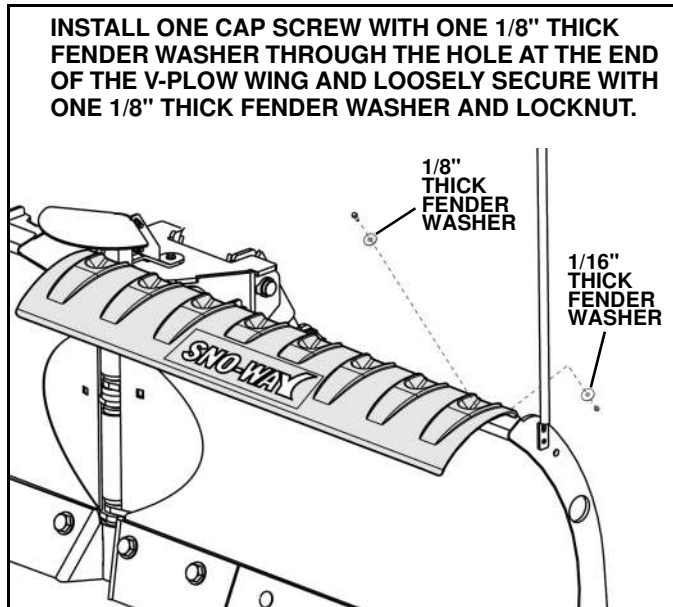


Figure 4

10. Complete the DS Snow Deflector section (#1) installation on the DS V-Blade wing by installing (7) additional 1/4"-20 x 1-1/4" Hex Head Cap Screws (#4), (7) 1/4" ID x 1-1/2" OD x 1/8" Thick Fender Washers (#5), (7) 1/4" ID x 1-1/2" OD x 1/16" Thick Fender Washers (#6), and (7) 1/4" x 20 Locknuts (#7) (going towards the center of the blade). (See Figure 5.)

11. Tighten all cap screws securely, but do not over-tighten.

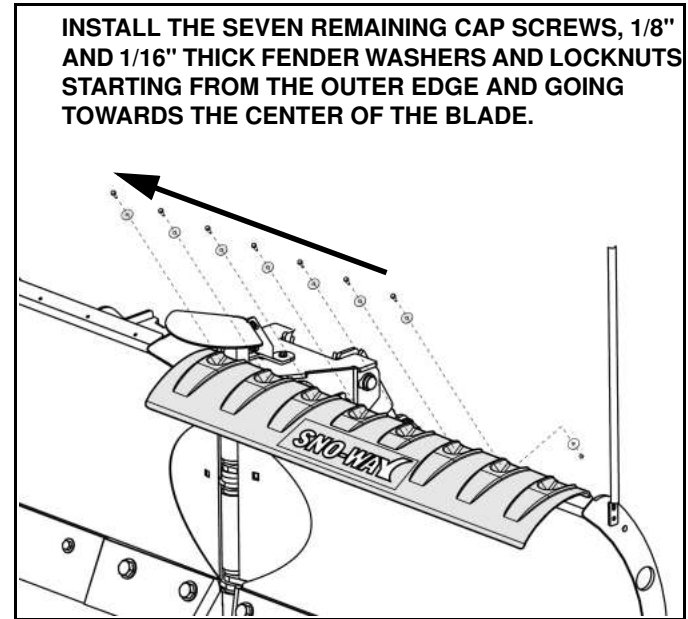


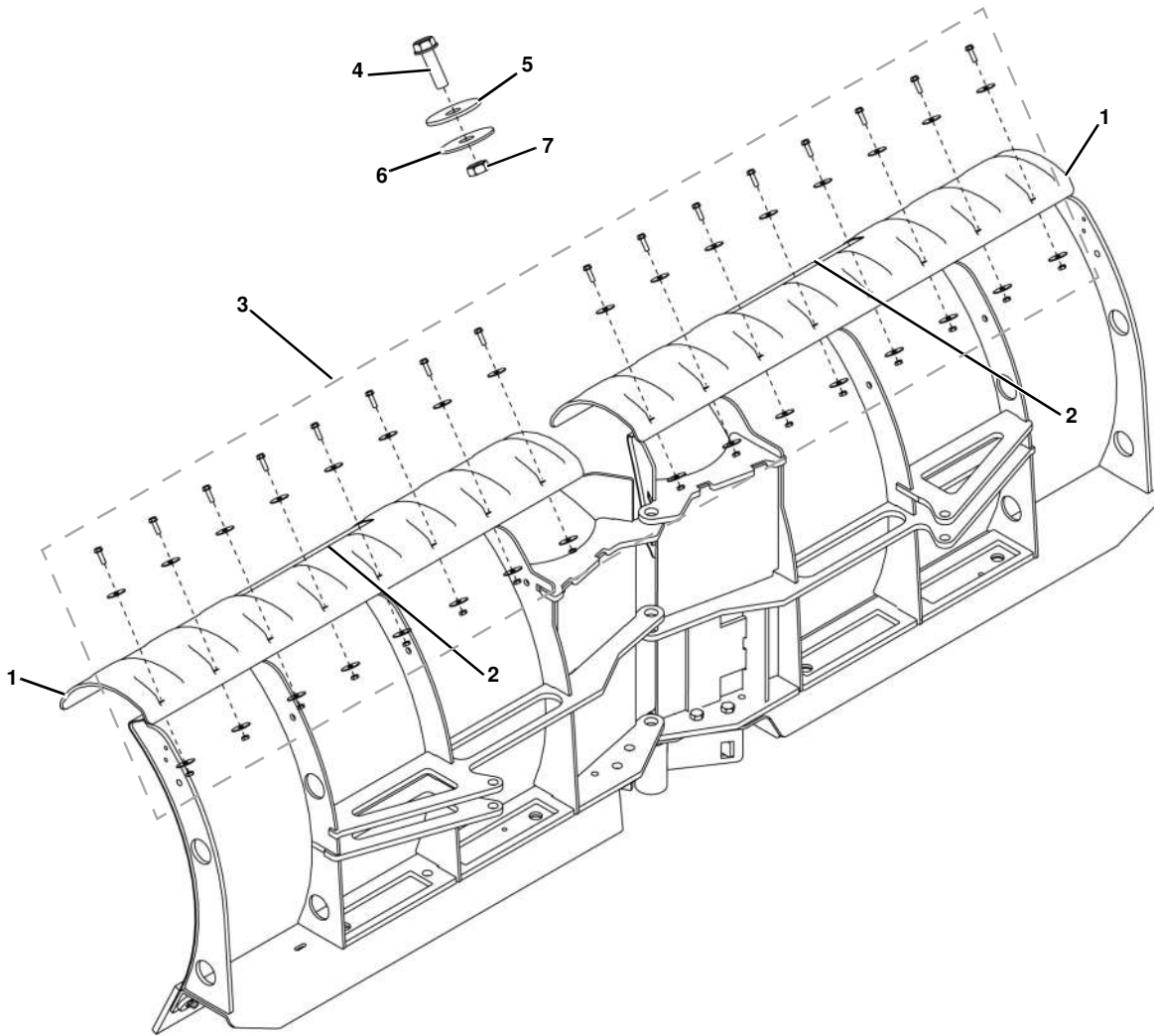
Figure 5

**IMPORTANT:** Over-tightening the cap screws will result in damage to the deflector. Recheck all cap screws to ensure that they have NOT been over-tightened.

12. Repeat Steps 9 through 11 to install the PS V-Wing Snow Deflector (#1).

# NOTES

# PARTS LIST



ITEM	PART NO.	DESCRIPTION	QTY.
1		Sno-Way E-Z Snow Deflector .....	2
2		Decal, Sno-Way Deflector .....	2
3	96112412	Hardware Kit, Deflector MBV (includes 4 through 7) .....	1
4		HHCS, 1/4"-20 x 1-1/4" .....	16
5		Fender Washer, 1/4" ID x 1-1/2" OD x 1/8" Thick .....	16
6		Fender Washer, 1/4" ID x 1-1/2" OD x 1/16" Thick .....	16
7		LN, 1/4" x 20 .....	16

SNO-WAY® INTERNATIONAL, INC.



Hartford, WI 53027 USA  
Website: [www.snoway.com](http://www.snoway.com)  
©2019 Sno-Way® International