

SNO-WAY E-Z FIT NON-WELDED SKIN STRAIGHT BLADE SNOW DEFLECTOR (P/N 99100931) INSTALLATION INSTRUCTIONS FOR 22, 26, 29, 29T & 32 SERIES PLOWS (ALSO FITS 18, ST, 24, MT, 25 & HT SERIES)



1. THINK SAFETY, ALWAYS WEAR SAFETY GLASSES WHEN PERFORMING THE OPERATIONS PRESCRIBED IN THESE INSTRUCTIONS

2. READ ALL INSTRUCTIONS CAREFULLY BEFORE ATTEMPTING INSTALLATION



1. Lower the snow plow blade to a flat, level surface. To prevent accidental operation of the blade, disconnect power connection from vehicle.

2. Position one outer snow deflector section (P/N 96108614) at the outside top edge of the plow blade. Clamp the deflector flat against the top of blade frame using a padded bus or spring clamp. Repeat this step for the opposite snow deflector section. (See Figure 1-1)

3. With both outer deflectors clamped in place, position the center deflector section (P/N 96108615) over the top of the outer snow deflectors. The reinforcement ribs in the deflectors should overlap and seat flush. If they do not seat together, reposition the outer deflectors until they install flat on the blade frame. (See Figure 1-1) Clamp in place.

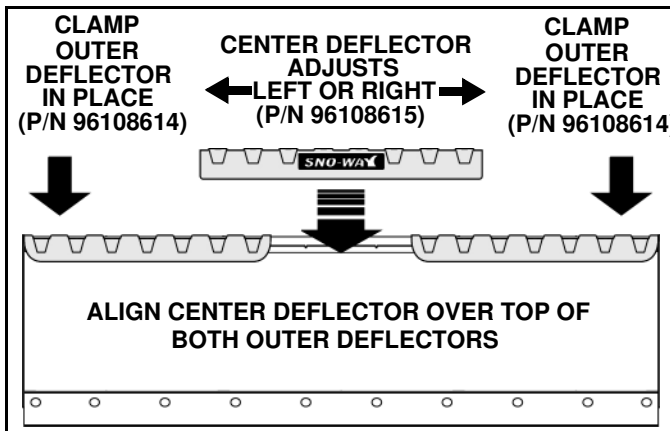


Figure 1-1

4. Depending on the blade series, it may be desirable to notch each deflector section where they contact the blade reinforcement ribs. This is an optional installation step that will not hinder the snow deflector performance. (See Figure 1-2).

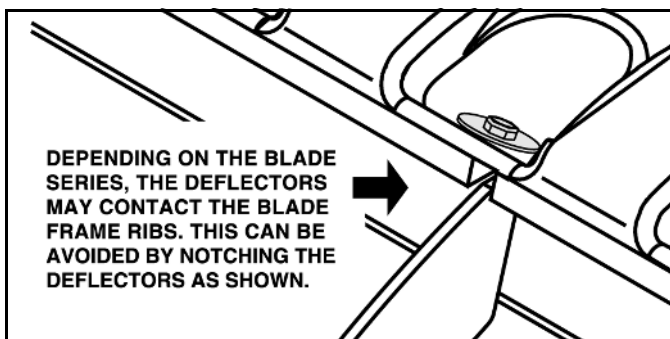


Figure 1-2

5. With all deflector sections clamped in place on the blade, install one self drilling tek screw (P/N 98100386) and washer (P/N 98100497) through the hole in the deflector closest to the end of the blade. (See Figure 1-3). Repeat this step for the opposite deflector.

NOTE: Use an impact wrench or electric drill to install the tek screws. Do not torque above 11 ft.-lbs. For Best results, install self tapping tek screws using a low RPM setting. High speed installation will dull the screw pilot.

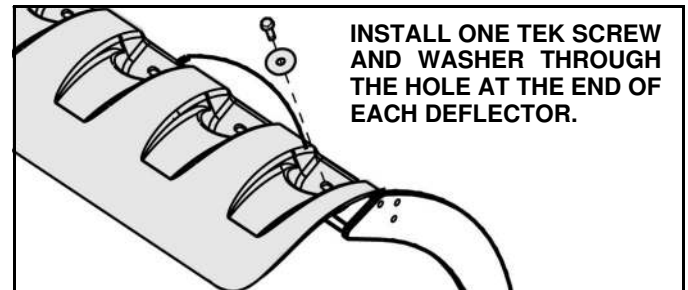


Figure 1-3

6. Complete the snow deflector installation by installing the remaining self-drilling tek screws and washers. Start from the center of the blade and working outward to the ends of the blade. (See Figure 1-4).

NOTE: Check tightness of tek screws each season.

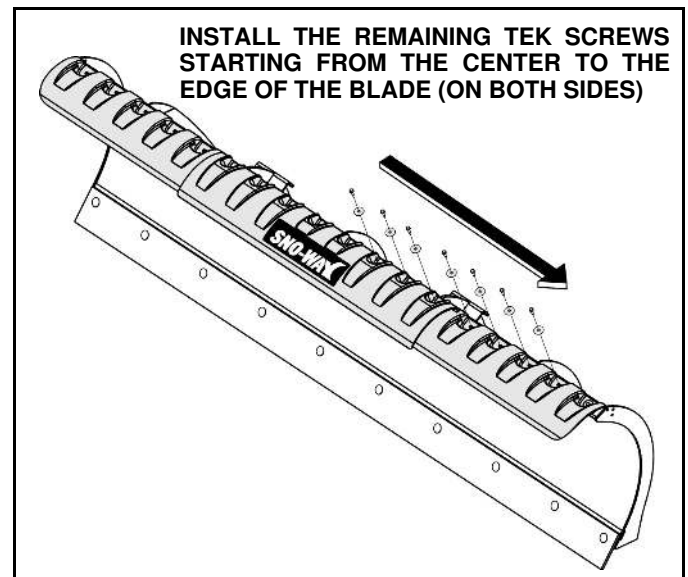
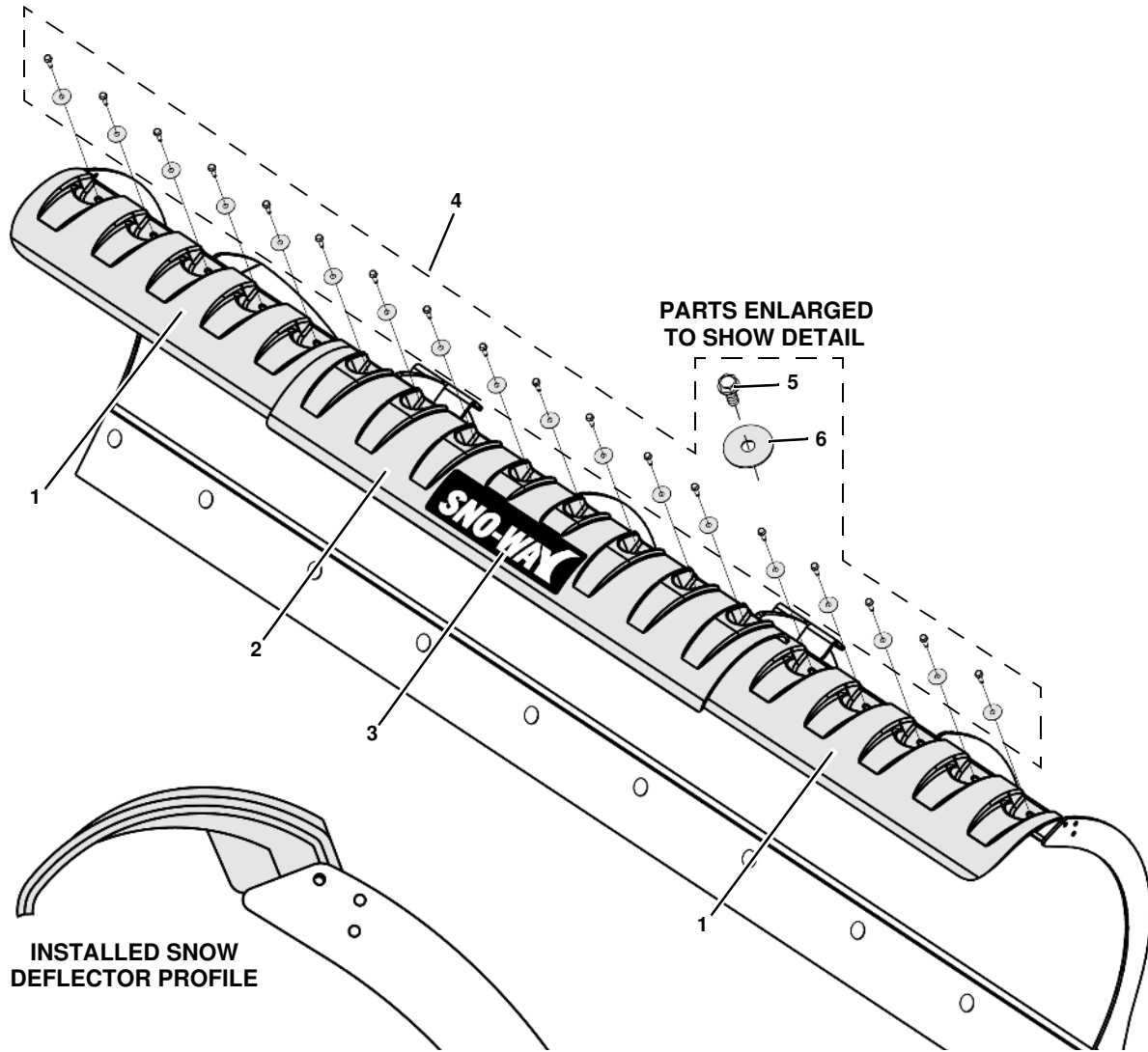


Figure 1-4

PARTS LIST



ITEM	PART NO.	DESCRIPTION	QTY.
1		Sno-Way E-Z Fit Snow Deflector, Outer Section	2
2		Sno-Way E-Z Fit Snow Deflector, Center Section.....	1
3		Decal, Sno-Way E-Z Fit Snow Deflector	1
4	96109728	Kit, Hardware Sno-Way E-Z Fit Snow Deflector (Includes items 5 & 6)	1
5		Hex Washer Head, #14-14 x 1-1/4" Self-Drilling Tek Screw	20
6		Plain Washer, 1/4" x 1-1/2" x 1/8" Thick.....	20

97101316E

SNO-WAY® INTERNATIONAL, INC.



Hartford, WI 53027 USA
 Website: www.snoway.com
 ©2019 Sno-Way® International