

SNO-WAY®

SNOW & ICE CONTROL EQUIPMENT

Assembly & Installation Instructions

**FOR
VEHICLE MOUNT KIT 99100857**

**TO FIT
2006 - 2010 JEEP COMMANDER 4X4
2005 - 2010 JEEP GRAND CHEROKEE 4X4**



1. **THINK SAFETY, ALWAYS WEAR SAFETY GLASSES WHEN PERFORMING THE OPERATIONS PRESCRIBED IN THESE INSTRUCTIONS**
2. **READ ALL INSTRUCTIONS CAREFULLY BEFORE ATTEMPTING INSTALLATION**
3. **BEFORE BEGINNING WORK MAKE SURE TO SET PARKING BRAKE AND CHOCK WHEELS**



MINIMUM VEHICLE RECOMMENDATIONS

Heavy Duty Alternator

Heavy Duty Battery

NOTE: On some vehicles it may be necessary to use a form of load booster to decrease the vehicle's front suspension sag with the snow plow in place. This can be accomplished with the use of supplementary air bags, booster springs, or similar load boosting devices. Since there are different load boosting devices available, it will up to the customer/end user to decide and purchase the product to suit the application, and not the responsibility of Sno-Way International, Inc.

ASSEMBLY TOOLS NEEDED

Drill Bits 1/4", 17/32"
 Impact Sockets 7/16" – 1-3/8", 10mm - 18mm
 Wrenches 7/16" – 1-3/8", 10mm - 18mm
 Rat Tail Pry Bar
 Center Punch and Hammer

INSTALLATION NOTES

1. **Unless otherwise specified, mount all Vehicle Mount Kit Components to vehicle before tightening any hardware.**
2. **It is recommended that LOCTITE®, or similar thread locking product, be used on ALL mounting hardware (i.e. Nuts, Cap Screws, Bolts, etc.).**
3. Vehicle should be parked on a level surface with a normal vehicle load on the FRONT suspension.
4. Items in parentheses () refer to quantity required for this step. Items in parentheses with a pound sign (#) indicate the part number as found in the parts list on the last page of this document.
 Example: (10) Washer, Lock, 1/2" (#8).
5. It maybe necessary to relocate license plate holder. Check state and local laws for placement, if needed.

2. Remove the frame end caps and the tow hooks, if equipped. Retain for re-installation if the Vehicle Mount Kit is removed.
3. Assemble the Vehicle Center Mtg. (#1) to the vehicle front cross frame:
 Insert (2) Nut Plates (#4) into the holes where the end caps were removed, aligning with the tow hook bolt holes.
 Secure the Vehicle Center Mtg. (#1) to the Nut Plates (#4), using (4) 1/2"- 13 x 2" Cap Screws (#6), (4) 1/2" Lock Washers (#7) and (4) 1/2" Flat Washers (#8).
 Through the inner mounting holes, use (2) 7/16"-14 x 2" Cap Screws (#10), (2) 7/16" Lock Washers (#11), (2) 7/16" Flat Washers (#12) and (2) 7/16"-14 Nylock Nuts (#13).

NOTE: Holes in frames may vary in order to install item #1 using item #4 holes in the frame may need to be elongated to ensure a proper fit.

MOUNTING INSTRUCTIONS

1. Remove the front bumper cover (fascia), splash guard and skid plate. Discard rivet type fasteners, they cannot be reused. Note: Four (4) of item #15 (Push Type Plastic Rivet) should be used to reinstall the bumper cover to the vehicle. Retain the skid plate and splash guard for re-installation if the Vehicle Mount Kit is removed.

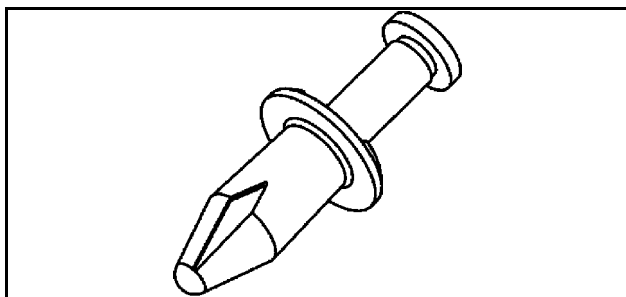


Figure 1: Push Type Plastic Rivet

4. Install the Rear Mtg Weldments, LH (#2) and RH (#3):
 Secure to the Vehicle Center Mtg. (#1), using (4) 1/2" 13 x 1-1/2" Cap Screws (#9), and (4) 1/2"-13 Nylock Nuts (#14).
 To secure to the vehicle rear crossmember, use the holes in the vertical surface as a template and drill 1/4" pilot holes, then drill to 17/32".
 Through the drilled holes, secure the Rear Mtg. Weldments, LH (#2) and RH (#3) using (2) Handle Bolt Weldments (#5) and (2) 1/2" Flat Washer (#8) inserted into the frame, and (2) 1/2"-13 Nylock Nuts (#6).
 For the horizontal holes in the Rear Mtg. Weldments, use the existing hardware that was used to hold on the skid plate.
5. Using the Torque Specification Chart provided, torque all Cap Screws.
6. Re-install front bumper cover (fascia).

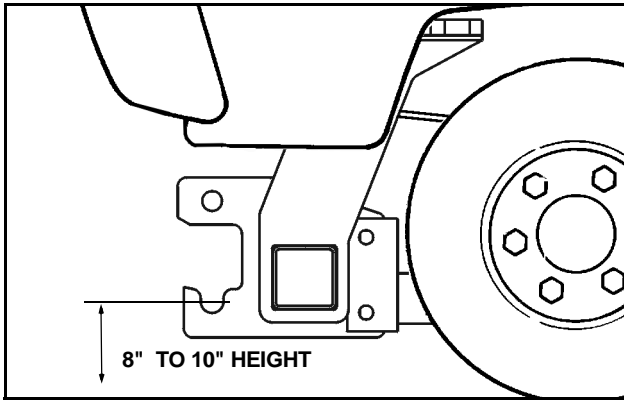


Figure 2

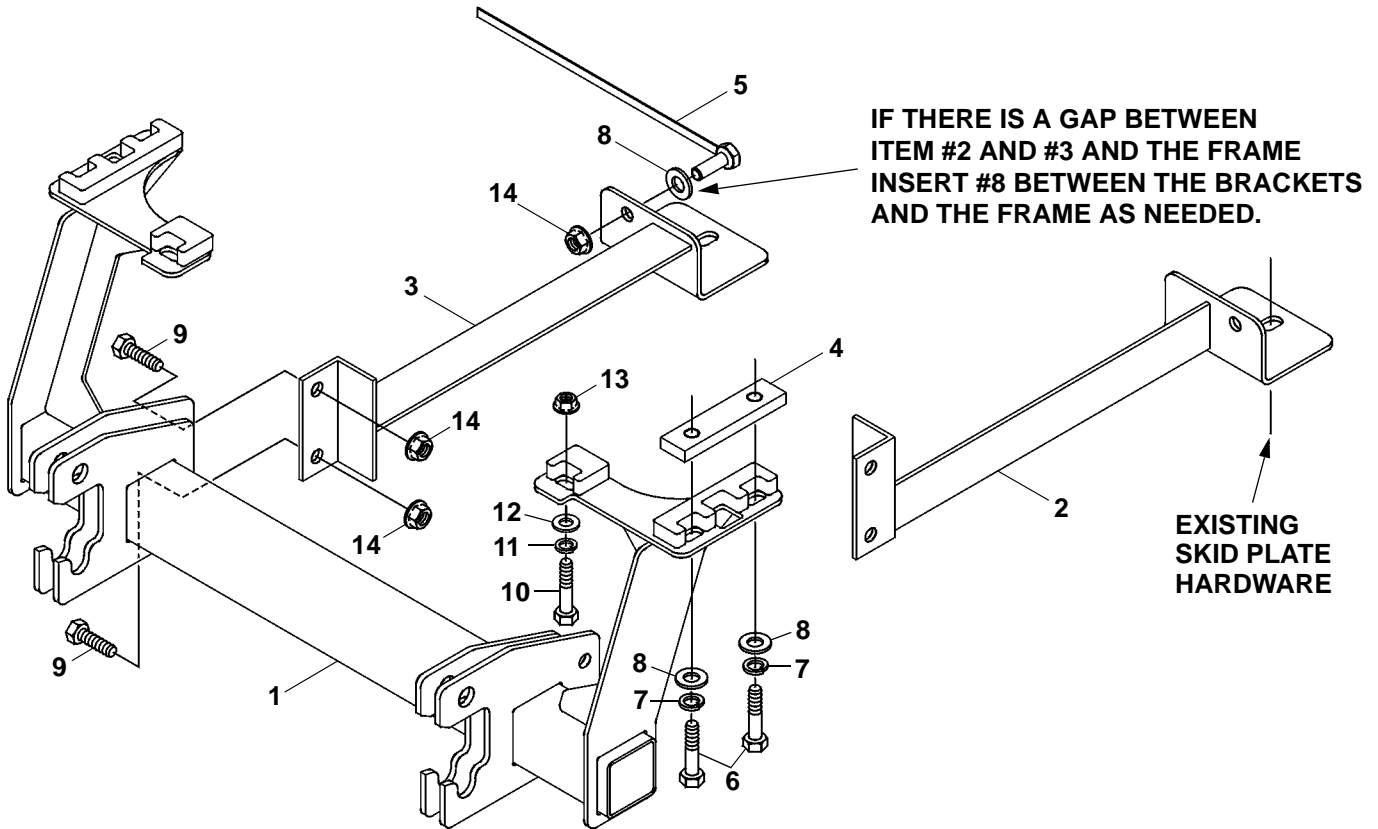
IMPORTANT: Height from the center of the lower Plow Mounting holes on the Vehicle Mount Kit to the ground should be between 8" and 10" to ensure proper operation.

TORQUE SPECIFICATIONS FOR STANDARD MACHINE HARDWARE					
Bolt Size	GR.2 Dry	GR.5 Dry	GR.8 Dry	Metric Size	GR.8.8 Dry
1/4"	66*	9	12	M8	17
5/16"	11	17	25	M10	35
3/8"	20	30	45	M12	60
7/16"	32	50	70	M14	95
1/2"	50	75	110	M16	155
9/16"	70	110	150		
5/8"	100	150	220		
3/4"	175	260	380		
7/8"	170	430	600		
1"	250	640	900		

Note: These torque values are to be used for all hardware. Unless otherwise specified, all torque values must meet this specification.
 Note: All torque values are in Ft.-Lbs unless otherwise stated
 Note: *In-Lbs

REMEMBER After 5 to 10 hours of snowplow usage, re-torque all Cap Screws!

PARTS LIST



Note: It is recommended that LOCTITE®, or similar thread locking product, be used on ALL mounting hardware (i.e. Nuts, Cap Screws, Bolts, etc.).

ITEM	PART NO.	DESCRIPTION	QTY.
1		Vehicle Center Mtg.	1
2		Rear Mtg. Weldment, LH.....	1
3		Rear Mtg. Weldment, RH.....	1
4		Nut Plate.....	2
5		Handle Bolt Weldment.....	2
6	98100010	Hex Head Cap Screw, 1/2"-13 x 2"	4
7	98009012	Lock Washer, 1/2"	4
8	98009011	Flat Washer, 1/2"	14
9	98009010	Hex Head Cap Screw, 1/2"-13 x 1-1/2"	4
10	98100360	Hex Head Cap Screw, 7/16"-14 x 2"	2
11	98009045	Lock Washer, 7/16"	2
12	98009049	Flat Washer, 7/16"	2
13	98009050	Nylock Nut, 7/16"-14	2
14	98009013	Nylock Nut, 1/2"	6
15	98100392	Push Type Plastic Rivet 8mm x 20mm.....	4

SNO-WAY® INTERNATIONAL, INC.



Hartford, WI 53027 USA
 Website: www.snoway.com
 ©2019 Sno-Way® International