

INSTALLATION INSTRUCTIONS FOR UNIVERSAL SPREADER LIGHT KIT 99100288

Application Guide - Compatible Spreaders for Universal Spreader Light Kit

Universal Spreader Light Kit 99100288 can be installed on the following Sno-Way® Spreaders using these instructions:

- 4 Cubic Foot Spreader
- 6 & 9 Cubic Foot Spreaders
- V-Box Electric Spreader
- V-Box Gas Spreader

Mounting Light Assembly

Assemble Light Support Bracket to Light Assembly. Secure with 5/16" lock washer and 5/16"-18 nut supplied with Light Assembly. (See Figure 1-1). Do not tighten hardware at this time.

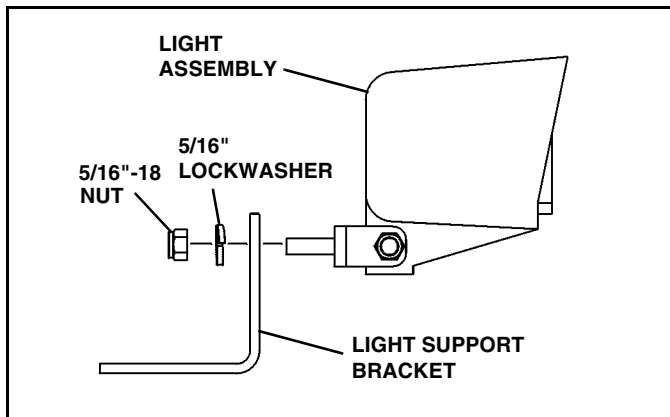


Figure 1-1

4 Cubic Foot Spreader

1. Mount the Light Assembly Support Bracket to the rear of the Spreader:

Remove and retain the 1/4"-20 x 1-14" cap screw and (2) flat washers that secure the center hole in the motor platform to the hopper. (See Figure 1-2).

Position the Light Support Bracket under the lip of the hopper, align with the vacant mounting hole, and secure with the original (2) flat washers and cap screw. Tighten hardware.

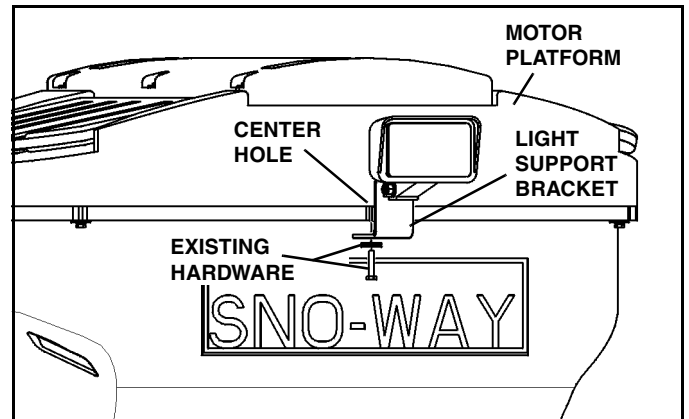


Figure 1-2

2. Route Light Harness to the top of Spreader, then along the "channel" between the motor cover and either the left or right side hopper lid to the front of the hopper. (See Figure 1-3).

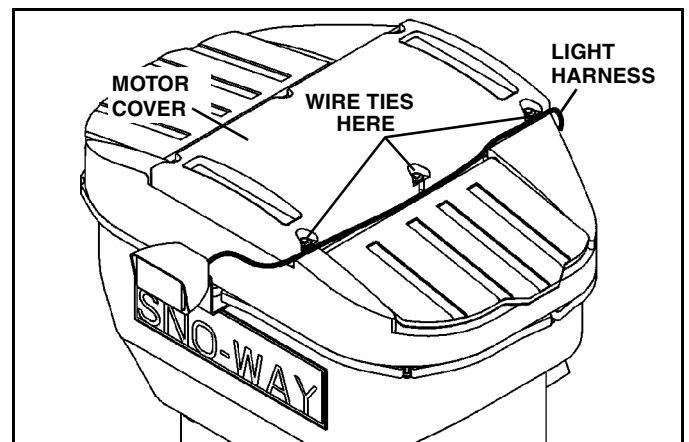


Figure 1-3

3. Secure the Light Harness by looping Wire Ties around the three cap screws that secure the motor cover to the motor platform, and then around the Light harness. The slots in the motor cover should allow enough room to secure the cable ties to the cap screws without removing them.

4. Route Harness to area near the motor terminal.

6 and 9 Cubic Foot Spreaders

1. Mount Light Assembly on either side of spreader using (1) supplied 5/16"-18 x 2" hopper mounting cap screw 98100167 to replace the existing 5/16"-18 x 1-3/4" cap screw at the left rear or right rear corner of the hopper. (See Figure 1-4, left side shown). Secure with existing 5/16" locknut.

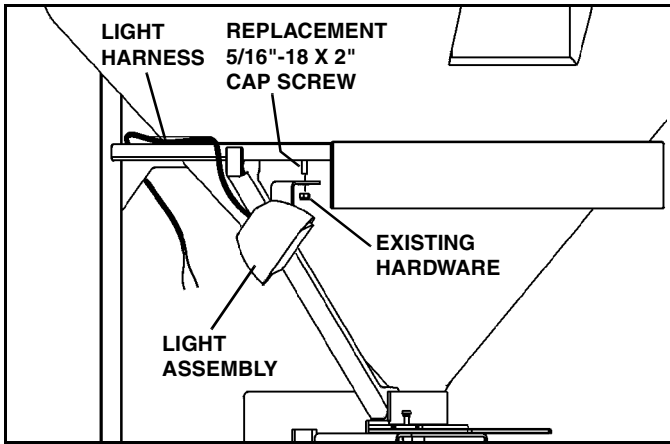


Figure 1-4

2. Route Light Harness along hopper frame front of hopper, and secure using supplied Wire Ties.

3. Route Harness to area near the motor terminal.

V-Box Spreader

NOTE: The supplied bracket is not used for mounting the Light to the V-Box spreaders. The Light mounts directly to the motor cover.

1. Mount light in one of the vent holes in the rear, left side of the motor cover. (See Figure 1-5). No drilling is required.

The stud in the swivel bracket of the Light is mounted directly through the motor cover, the bracket is not used in this application. Secure the Light on the inside of the motor cover with the supplied Flat Washer and Lock Nut, the Lock Washer and regular Nut are not used with the V-Box models.

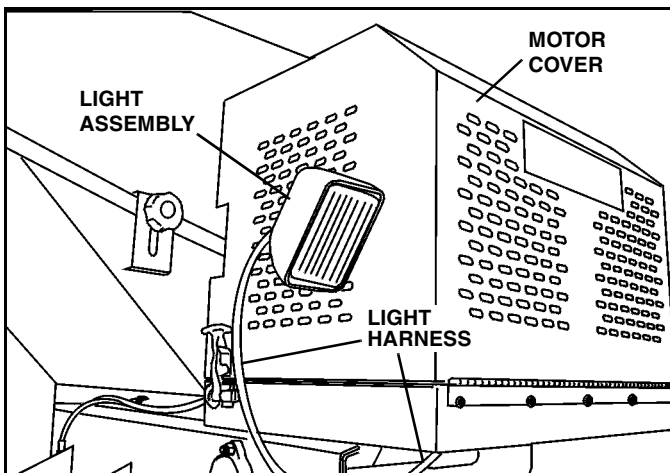


Figure 1-5

2. Route the Light Harness under the left corner of the vented motor platform, then into the motor area through an existing grommet along with the main spreader harness and other wiring, depending on model. (See Figure 1-6).

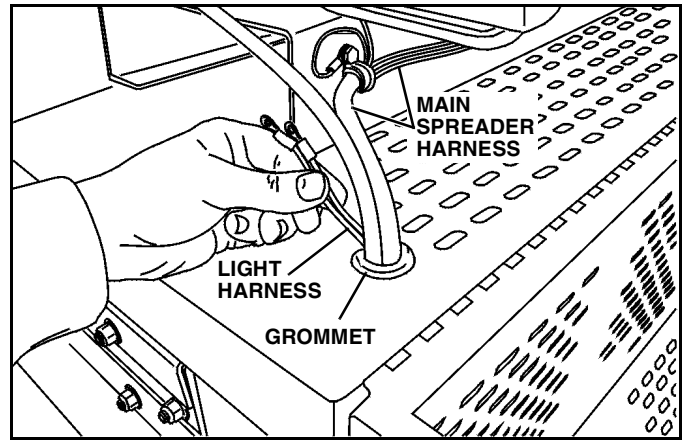


Figure 1-6 , Gas Model Shown.

Wiring Installation for Light Assembly



WARNING

The Lamp operates on 12 volt direct current (12VDC). DO NOT connect Lamp to 100 volt AC house current.

FAILURE TO FOLLOW CAN RESULT IN INJURY OR DEATH

4 Cubic Foot, 6 and 9 Cubic Foot Spreaders

Use Pigtail Kit 96108034 to convert Light Harness and existing power harness ends to use adapter plug.

1. Cut existing ring terminals from red and black wires on Light Harness. Cut wires as close as possible to terminals.

2. Install cable seals on Light Harness wires, then strip insulation back 1/4" on both wires. (See Figure 1-7).

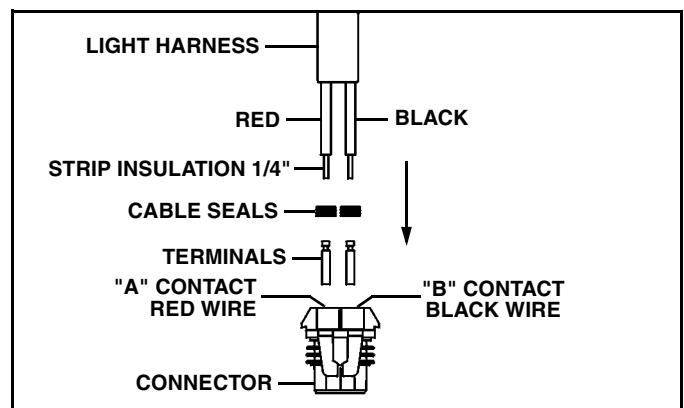


Figure 1-7

3. Crimp terminals on both wires and slide seals down against terminals. Then insert terminals into the correct contact location in the connector until they snap in place to lock. (See Figure 1-7).

4. Unplug existing spreader motor harness from harness to vehicle.

5. Plug spreader motor harness and new Light Harness into the connectors on the "Y" end of the adapter, then plug the single end of the adapter into the main harness to the vehicle. (See Figure 1-8). Secure with Wire Ties as necessary.

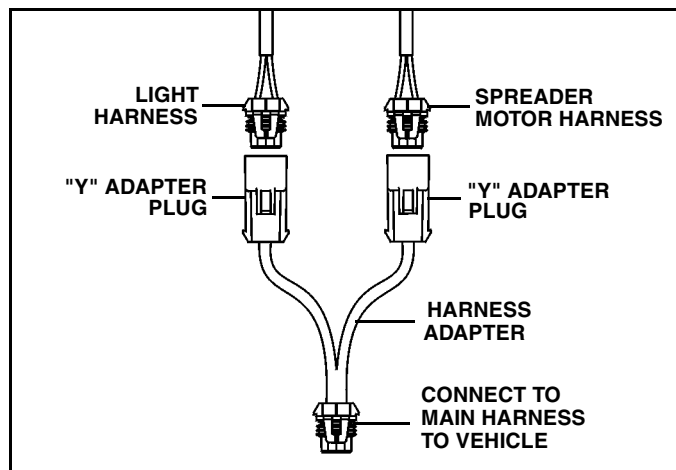


Figure 1-8

V-Box Electric Spreader

1. Route the Light Harness wires from the grommet in the motor platform to the spreader motor. Using 96108590 connectors, splice the black Light Harness wire to the black (-) motor wire, and the red Light Harness wire to the red (+) motor wire. Secure Light Harness to spreader motor harness with Wire Ties as necessary. (See Figure 1-9).

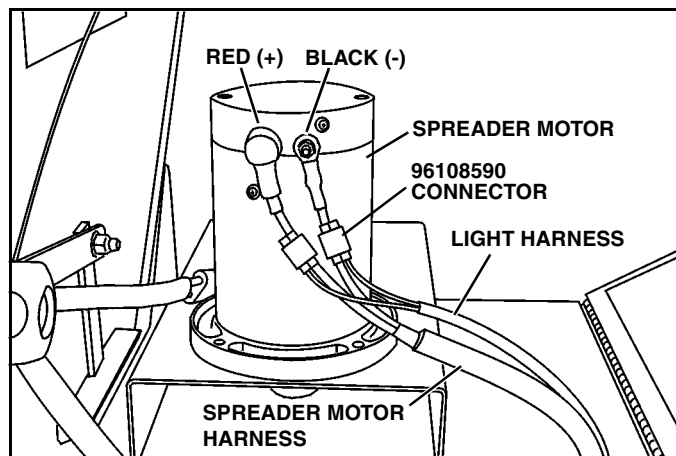


Figure 1-9

V-Box Gas Spreader

1. Route the Light Harness wires from the grommet in the motor platform to the motor area. Locate the cap screw that secures the green spreader

harness ground wire and the harness clamp to the motor plate. Remove the cap screw, then add the black ground wire from the Light Harness to the clamp and the green wire and re-install the cap screw. (See Figure 1-10). Tighten securely.

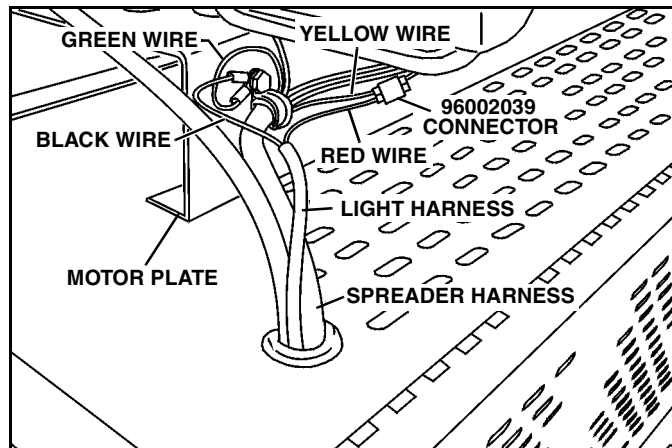


Figure 1-10

2. Locate the yellow wire from the spreader harness and separate it slightly from the other wires. Splice the red (+) wire from the Light Harness to the yellow wire using a 96002039 connector. (See Figure 1-10).

Light Operation

The light is designed to turn on when the spinner is rotating / material is being spread.

4 Cubic Foot, 6 and 9 Cubic Foot, and V-Box Electric Spreaders

The light turns on when the electric motor is turned on, activating the spinner.

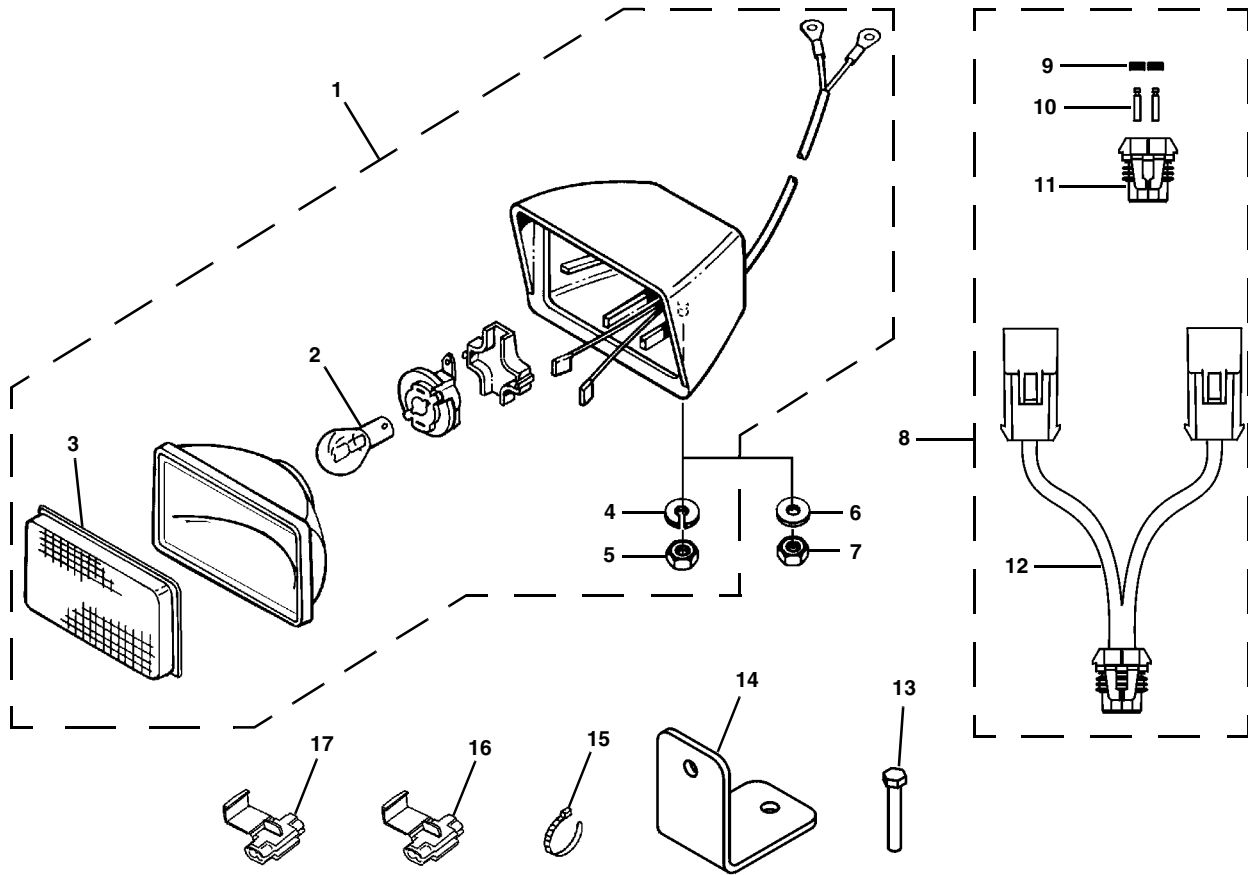
V-Box Gas Spreaders

The light turns on when the spreader clutch is engaged, activating the spinner.

Bulb Replacement

1. Remove Lens from Housing by folding back corner of Housing and prying Lens from Housing.
2. Remove Bulb from Bulb Carrier by depressing Bulb slightly into Carrier and twisting to remove bulb.
3. Place new Bulb, (Purchased locally, type #1156-12V) in Bulb Carrier. Twist one eighth turn to secure bulb. Replace Lens in Housing.

PARTS LIST



Note: Parts shown, and not numbered are not available separately.

ITEM	PART NO.	DESCRIPTION	QTY.
1	96102501	Lamp Assembly.....	1
2		Bulb (Purchase Locally, Type #1156-12V)	1
3	96102539	Lens	1
4		Lock Washer, 5/16" (4, 6, and 9 Cubic Foot Spreaders)	1
5		Nut 5/16" - 18 (4, 6, and 9 Cubic Foot Spreaders).....	1
6	98009032	Washer, Plain, 3/8" (V-Box Spreaders).....	1
7	98009150	Nut, Nylock, 5/16"-18 (V-Box Spreaders)	1
8	96108034	Harness Kit, Light Kit.....	1
9	96102443	Seal, Cable.....	2
10	96102347	Terminal, Adapter Connector	2
11	96102346	Connector, Adapter	1
12	96108035	Harness, Light Kit Adapter	1
13	98100167	Cap Screw, Hex, 5/16"-18 x 2" (6, 9 Cubic Foot Spreader).....	1
14	96108283	Bracket, Light Support (4, 6, 9 Cubic Foot Spreaders)	1
15	96001227	Wire Tie, Plastic	4
16	96002039	Splice Connector, Blue, (V-Box, Gas Model).....	1
17	96108590	Splice Connector, Brown, (V-Box, Electric Model)	2

SNO-WAY® INTERNATIONAL, INC.



Hartford, WI 53027 USA
 Website: www.snowway.com
 ©2006 Sno-Way® International