

SNO-WAY[®]

SNOW & ICE CONTROL EQUIPMENT

SNOW PLOW SET UP AND INSTALLATION INSTRUCTIONS

28V SERIES SNOW PLOW WITH EIS
FOR PLOW SERIAL NUMBERS AFTER
28VG100100
28VD100302



TABLE OF CONTENTS

	Page
INTRODUCTION	2
TOOL LIST	2
SAFETY	3
INSTALLATION INSTRUCTIONS	4
General	4
Electrical Installation	4
Mechanical Installation	5
Mounting Snow Plow to Vehicle	8
Installing The Cylinder Lock Clamp	10
Operation Check and Inspection	10
Disk Shoe Adjustment	10
Trip Spring Adjustment	12
Float Limiter Adjustment	13
TORQUE SPECIFICATIONS	14
HYDRAULIC SCHEMATIC (GRAVITY)	15
HYDRAULIC SCHEMATIC (DOWN PRESSURE)	16
WIRING SCHEMATIC (GRAVITY)	17
WIRING SCHEMATIC (DOWN PRESSURE)	18
DEALER CHECKLISTS	Back Cover

INTRODUCTION

This manual was written for the assembly, installation and set up of your new Sno-Way plow. Most importantly, this manual provides an operating plan for safe use. Refer to the Table of Contents for an outline of this manual.

Please keep this manual with your machine at all times as reference material and so it can be passed on to the next owner if the machine is sold.

We require that you read and understand the contents of this manual COMPLETELY, especially the chapter on SAFETY, before attempting any procedure contained in this manual.



The Society of Automotive Engineers has adopted this SAFETY ALERT SYMBOL to pinpoint characteristics that, if NOT carefully followed, can create a safety hazard. When you see this symbol in this manual or on the machine itself, BE ALERT!, your personal safety and the safety of others, is involved.

• Defined in the next column, are the SAFETY ALERT messages and how they will appear in this manual.

 WARNING
FAILURE TO FOLLOW CAN RESULT IN INJURY OR DEATH.

 CAUTION
Information, that if not carefully followed, can cause minor injury or damage to equipment!

NOTE: Additional information concerning the equipment or the procedure that may or may not be contained elsewhere in this manual.

BE AWARE! It is illegal to remove, deface or otherwise alter the safety decals mounted on this equipment.

We reserve the right to make changes or improve the design or construction of any part(s) without incurring the obligation to install such parts or make any changes on any unit previously delivered.

REMEMBER after the snow plow is installed on the vehicle, the Pre-Delivery Check List and Delivery Check List (on the outside back cover of this manual) must be completed.

Snow-Way Products are built under one or more of the following patents:

5,524,368	5,832,637	5,894,688	5,987,785	6,154,986
6,691,435	6,701,646	6,702,208	6,775,933	6,778,932
6,860,039	6,860,040	2,121,948		

TOOL LIST

Safety Goggles	12 Volt Test Light
Wrenches 3/8" - 15/16"	Impact Sockets 3/8" - 15/16"
Impact Wrench	Two (2) 6" C-Clamps
Wire Crimp Tool	Drill
Utility Knife	Drill Bit 9/32", 5/16"

SAFETY

BEFORE ATTEMPTING ANY PROCEDURE IN THIS BOOK, READ AND UNDERSTAND ALL THE SAFETY INFORMATION CONTAINED IN THIS SECTION. IN ADDITION, ENSURE ALL INDIVIDUALS WORKING WITH YOU ARE ALSO FAMILIAR WITH THESE SAFETY PRECAUTIONS.

For your safety Warning and Information Decals have been placed on this product to remind the operator to take safety precautions. It is important that these decals are in place and are legible before operation begins. New decals can be obtained from Sno-Way or your local dealer.

REMEMBER The careful operator is the best operator. Most accidents are caused by human error. Certain precautions must be observed to prevent the possibility of injury to operator or bystanders and/or damage to equipment.

NEVER operate plow when under the influence of alcohol, drugs or other medications that could hamper your judgement and reactions. An accident may result in serious injury or death to other persons or yourself.

ALWAYS operate vehicle in a well-ventilated area. The carbon monoxide in exhaust gas is highly toxic and can cause serious injury or death.

NEVER allow hands, hair or clothing to get near any moving parts such as fan blades, belts and pulleys. Never wear neckties or loose clothing when working on the vehicle.

NEVER wear wrist watches, rings or other jewelry when working on the vehicle or individual equipment. These things can catch on moving parts or cause an electrical short circuit that could result in serious personal injury.

ALWAYS wear safety goggles when working on the vehicle to protect your eyes from battery acid, gasoline, and dust or dirt from flying off of moving engine parts.

ALWAYS be aware of and avoid contact with hot surfaces such as engine, radiator, and hoses.

ALWAYS wear safety glasses with side shields when striking metal against metal! In addition, it is recommended that a softer (non-chipable) metal material be used to cushion the blow. Failure to heed could result in serious injury to the eye(s) or other parts of the body.

NEVER allow children or unauthorized person to operate this unit.

NEVER exceed 45 m.p.h. when snow plow is attached to vehicle. Braking distances may be increased and handling characteristics may be impaired at speeds above 45 m.p.h.

ALWAYS lock the vehicle when unattended to prevent unauthorized operation of the plow.

ALWAYS check the job site for terrain hazards, obstructions and people.

NEVER exceed 10 m.p.h. when plowing. Excessive speed may cause serious injury and damage of equipment and property if an unseen obstacle is encountered while plowing.

ALWAYS position blade so it does not block path of headlamps beam. Do not change blade positions while traveling. An incorrect plow position blocking headlamp beam may result in an accident.

ALWAYS check surrounding area for hazardous obstacles before operating this unit.

ALWAYS inspect the unit periodically for defects. Parts that are broken, missing or plainly worn must be replaced immediately. The unit, or any part of it should not be altered without prior written approval of the manufacturer.

ALWAYS insert the cylinder lock when plow is not in use. If the cylinder lock is not installed, the plow blade could inadvertently drop and cause serious injury.

ALWAYS shut off the vehicle engine, place the transmission in Neutral or Park, turn the ignition switch to the "OFF" position, firmly apply the parking brake of the vehicle and turn "OFF" the plow controller before attaching or detaching the blade from the vehicle or when making adjustments to the blade.

ALWAYS inspect lift system bolts and pins whenever attaching or detaching the plow, and before traveling. Worn or damaged components could result in the plow dropping to the pavement while driving, causing an accident.

ALWAYS keep hands and feet clear of blade and A-Frame when attaching or detaching plow.

NEVER place fingers in A-frame or mount lug holes to check alignment when attaching snow plow. Sudden motion of the plow could severely injure a finger.

NEVER stand between the vehicle and blade or directly in front of blade when it is being raised, lowered or angled. Clearance between vehicle and blade decreases as blade is operated and serious injury or death can result from blade striking a body or dropping on hands or feet.

NEVER work on the vehicle without having a fully serviced fire extinguisher available. A 5 lb or larger CO₂ or dry chemical unit specified for gasoline, chemical or electrical fires, is recommended.

NEVER smoke while working on the vehicle. Gasoline and battery acid vapors are extremely flammable and explosive.

NEVER use your hands to search for hydraulic fluid leaks; escaping fluid under pressure can be invisible and can penetrate the skin and cause a serious injury! If any fluid is injected into the skin, see a doctor at once! Injected fluid **MUST BE** surgically removed by a doctor familiar with this type of injury or gangrene may result.

REMEMBER it is the owner's responsibility for communicating information on the safe use and proper maintenance of this machine.

INSTALLATION INSTRUCTIONS

General

Install the sub-frame on the vehicle using the instructions supplied with the sub-frame package.

Electrical Installation

1. Remove the power harness, power wire, circuit breaker and related hardware from the harness bag in the power pack carton.

NOTE: Take the extra time needed to plan the routing of the wiring harness before drilling any holes or fastening the harness or circuit breaker in place. Read all the instructions carefully to ensure all the required conditions are met for a safe and professional installation.

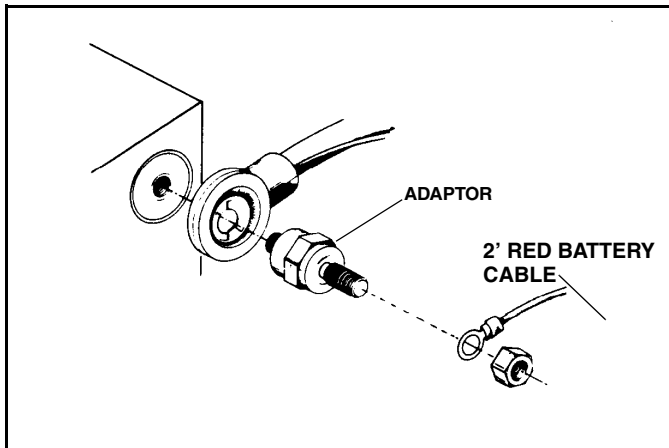


Figure 1-1

NOTE: If the vehicle has a 'side post' battery, it is recommended that adapters be purchased to make connection at the battery easier. (See Figure 1-1) Adapters can be purchased locally or are available from your Sno-Way dealer, order part #96100773.



WARNING

Disconnect the vehicle NEG. (-) battery cable while performing steps 2 and 3 to avoid serious bodily injury from electrical shock, fire or explosion. Do not re-connect the NEG. (-) battery cable until indicated in step 4.

FAILURE TO FOLLOW CAN RESULT IN INJURY OR DEATH.

2. Mount the fuse holder (if included) near the battery using (2) #10 x 1" self-tapping screws. (See Figure 1-2).

IMPORTANT: The circuit breaker must be placed in a location that will not be subject to excessive heat. DO NOT locate the circuit breaker near the exhaust manifold. A preferred location is one that will receive good air flow from the radiator fan, but will be protected from excessive engine heat. Also, the circuit breaker should, if possible, be mounted with the base of the circuit breaker horizontal.

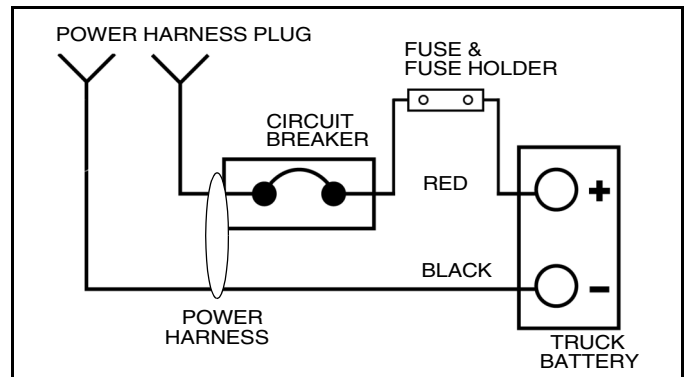


Figure 1-2

3. Mount the circuit breaker with two (2) #10 x 1" self-tapping screws.

4. Take the cover off of the fuse holder and remove the nuts on the studs. Place one end of each 2 ft. long power wire on opposite studs. Place the fuse between the two studs, and replace nuts and cover.

5. Attach the other end of one 2 ft. long power wire to the positive (+) terminal on the battery.

6. Attach the other end of the second 2 ft. long power wire to the battery terminal of the circuit breaker.

7. Attach the power harness red wire to the other terminal of the circuit breaker.

8. Attach the power harness black wire to the negative (-) battery terminal.

9. Route the vehicle power harness down to the front of the vehicle in a position to allow connection later to the plow power harness (when the plow is mounted to the vehicle). Be sure that the harness routing does not interfere with, or contact, any moving parts in the engine compartment. In addition, proper routing will keep the harness clear of any areas subject to excessive heat. When the harness routing is satisfactory, fasten the harness in place using plastic tie straps and re-connect the NEG (-) battery cable.

10. Remove the contents from the control package, then install the control system components using the instructions included with the package.

11. Remove the main light harness from the power pack carton. Route the harness from the headlights to the front of the truck and through the grille or bumper. The ends with the green plugs go to the headlights and the ends with the black plugs go to the front of the truck.

12. Open the adapter harness bag, remove the harness and plug the proper adapters into the green plugs on the main harness. Connect the adapters to the truck wiring following the included instructions.

13. Secure the main harness and adapters. Make sure that the harnesses are not in contact with moving or hot engine parts.

14. Plug the male and female black plugs at the front of the truck together. These must be connected to allow the truck lights to operate.

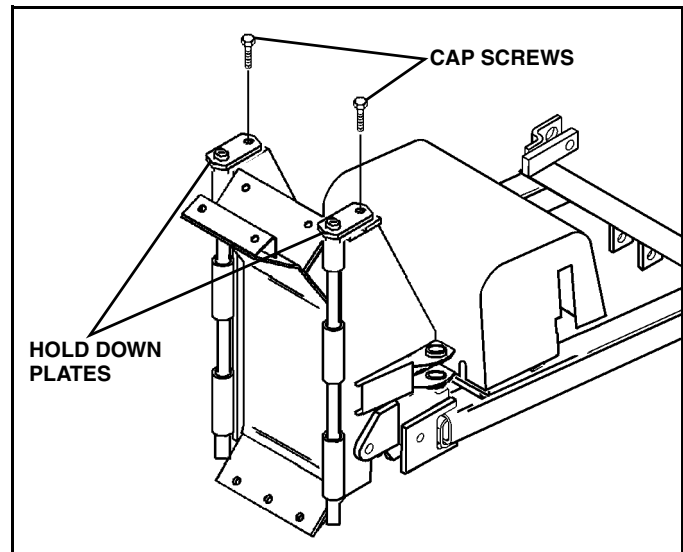



Figure 1-3

3. Swing the wing cylinders out to the side so they will be out of the way for installing the wings. (See Figure 1-4).

	WARNING
<p>Failure to connect the main light harness on the truck when plow is not attached will cause truck lights to not operate, which could cause an accident.</p>	
<p>FAILURE TO FOLLOW CAN RESULT IN INJURY OR DEATH.</p>	

15. Apply a small amount of dielectric grease to all electrical connectors.

Mechanical Installation

Wing Assembly

1. Remove the center blade assembly from shipping container.

2. Remove the cap screws from the hold down plates at the top of each of the two wing pivot shafts and then remove the pivot shafts from the center blade assembly. (See Figure 1-3).

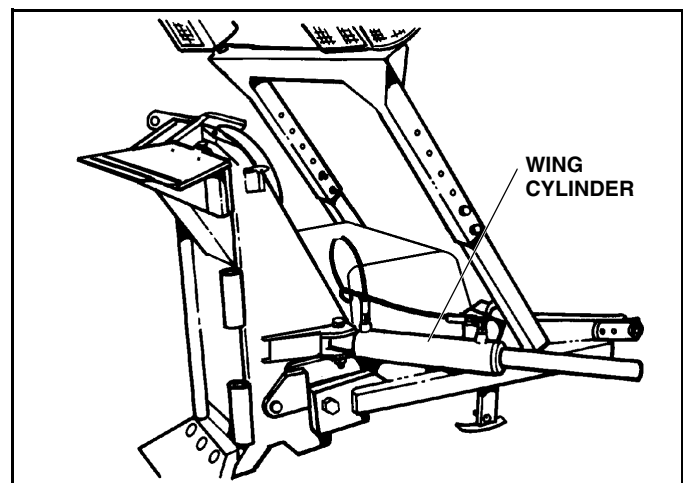



Figure 1-4

	CAUTION
<p>Wings weigh 125 lbs. Use proper lifting device and methods to lift and support wings during installation.</p>	

4. Place the right wing next to the right side of the center blade assembly and position it so that the hinge tubes on the center blade assembly and the hinge tubes on the wing assembly are lined up. Insert one wing pivot shaft down through the hinge tubes on the center blade and wing assemblies.



WARNING

Once wing pivot shafts are installed, wings are free to rotate and may create pinch points between wings and center blade assembly or floor. Remember, wings are heavy and will be hard to stop once they start moving.

FAILURE TO FOLLOW CAN RESULT IN INJURY OR DEATH.

NOTE: Oiling the pivot shaft and pivot tubes will aid in shaft installation.

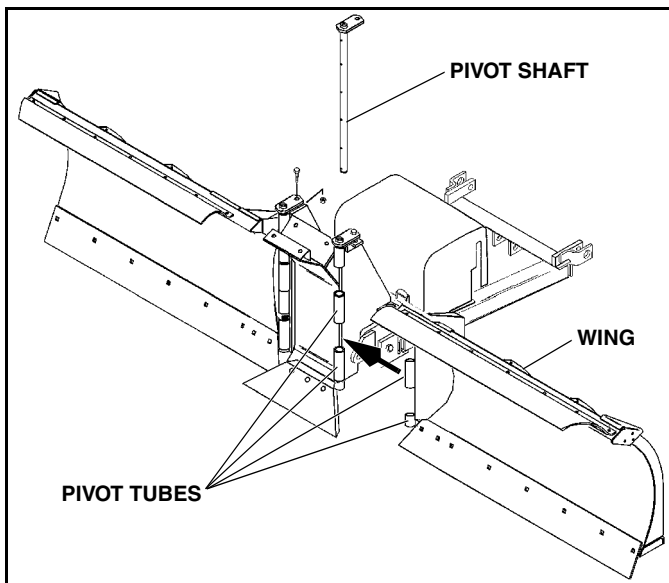


Figure 1-5

5. Repeat this procedure for the left wing assembly.

6. Line up the hole in the pivot shaft hold down plates and the retainer brackets on the center wing assembly. Do not re-install the cap screws and nuts at this time. This hardware will be re-installed after the center deflector is installed.

7. Lubricate both pivot shafts with a good quality EP lithium base grease.

NOTE: For extremely cold weather plowing, continuous sub zero operation, an alternative is to remove the grease fittings and fill the grease cavity with SAE 140 gear oil, and then replace the grease fitting.

8. Remove the 5/8" x 4" cap screw and locknut from the rod end of the two wing cylinders. Swing the rod end of the cylinders towards the wings until the hole in the rod

end of the cylinder lines up with the holes in the cylinder mounting brackets on each wing. Secure with cap screw removed earlier and torque to 25-30 lb-ft.

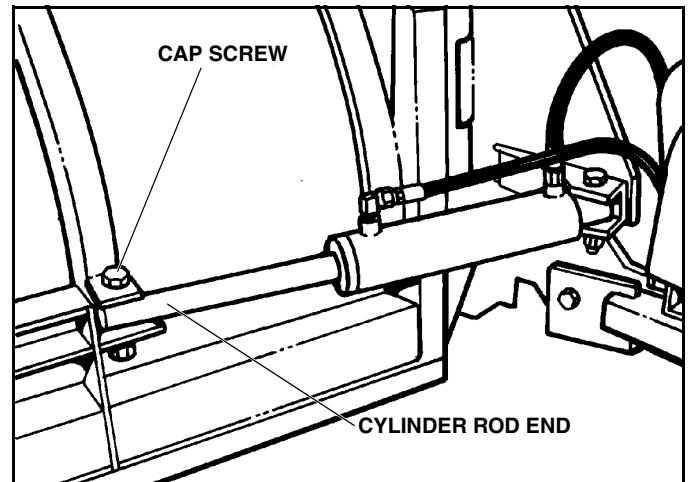


Figure 1-6

9. Center deflector mounting holes on top of plow blade.

NOTE: Install deflectors with beveled end of deflector at outer end of plow wing.

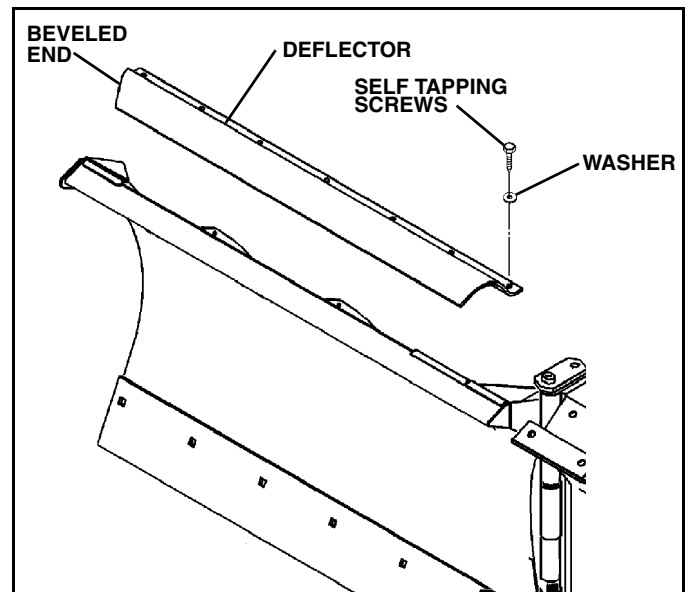


Figure 1-7

10. Use holes in deflector as template to center punch and drill 9/32" holes for self tapping screws.

NOTE: It is recommended that LOCTITE® or similar thread lock be used on these self tapping screws.

11. Install 5/16" X 1" self tapping screws (#98019176) and flat washers in every hole in deflector. Do not tighten until all screws are installed.

12. After all screws are installed, torque to 15 lb-ft.

13. Remove the two (2) 5/16 x 2" cap screws, flat washers, and the two (2) spacers (#96102938) from the parts bag. Install the center deflector (shipped loose in the Power Pack carton) using the two (2) spacers, 5/16 x 2" cap screws and flat washers removed earlier. Torque to 15 lb-ft.

14. Install the 1/2" cap screws and nylock nuts, removed in step #2, into the holes in the pivot shaft hold down plates and the retainer brackets on the center wing assembly with a flat washer on top of the center deflector, and torque the nylock nut to 25-30 lb-ft.

15. Install blade guides (blade side markers) to holes in outside blade ribs, secure using hardware supplied with Blade Guide Kit. (See Figure 1-8).

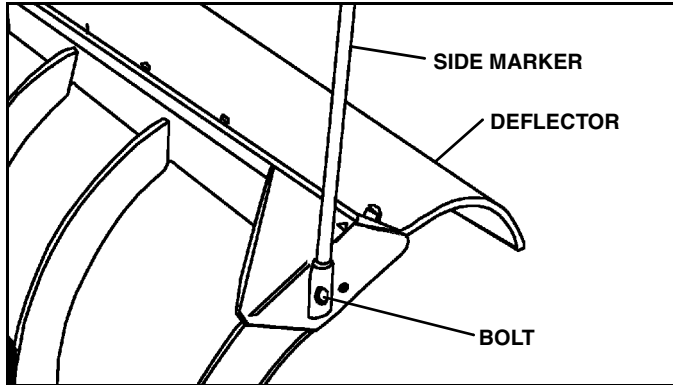


Figure 1-8

16. Disengage both pins on the jack stand by pulling the handles. Lower the jack stand and lift on the back of the A-frame. Then engage the upper pin by pushing the handle down to lock the jack stand in place. (See Figure 1-9).

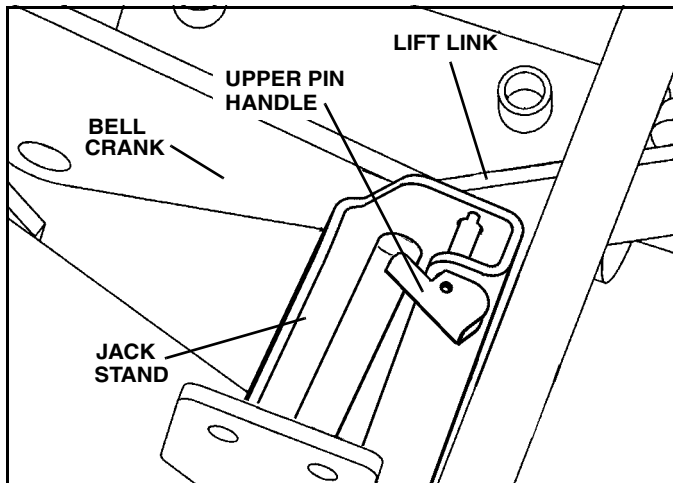


Figure 1-9

17. Hook snowplow to truck as described on page 7.

18. Remove left and right light supports from Power Pack carton. Secure each light bar support to lift/light bar with (4) 3/8" x 1" screws, (8) washers and (4) lock nuts from the light bar parts bag part number 96106089. Do not tighten at this time. (See Figure 1-10).

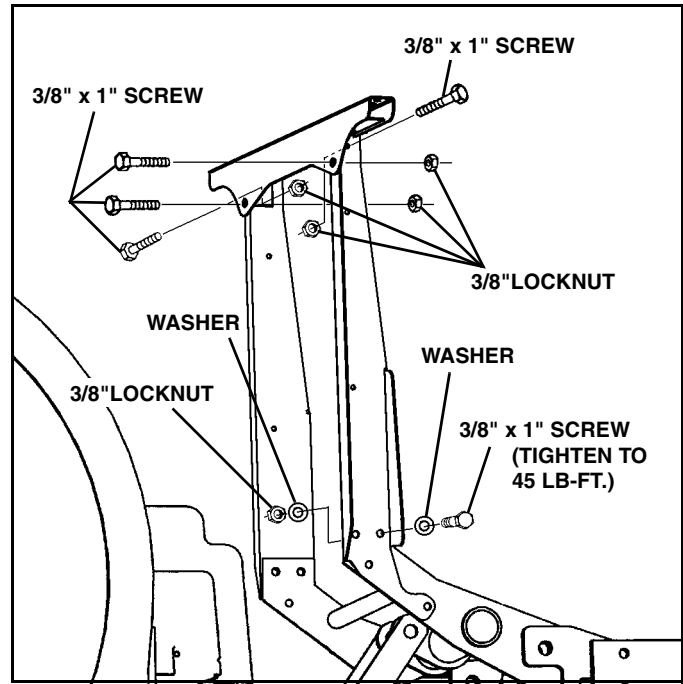


Figure 1-10

19. Secure light bar to supports with (4) 3/8" x 1" screws and lock nuts. Align light bar supports to vertical position and tighten all light bar hardware. Tighten eight lower screws to 45 lb-ft. (See fig. 1-18). Mount lamps on light bar using supplied 1/2" lock washers and nuts. (See Figure 1-11).

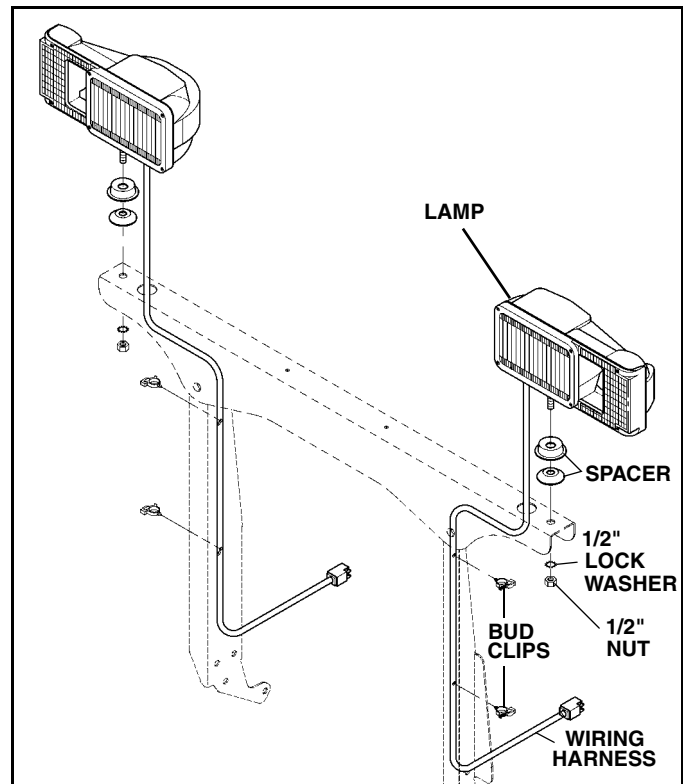


Figure 1-11

20. Route the harnesses through the light bar, through the access hole and down the inside of the light bar supports. (See Figure 1-11).

21. Check for proper light operation and aim plow lights with plow in up position.

22. Apply included dielectric grease to all light harness connections.

NOTE: In order to conform to Federal Motor Vehicle Safety Standards a SAE J602 Approved aiming device must be used to aim plow lights.

Mounting Snow Plow To Vehicle

1. Drive truck into plow. Align light/lift bar frame inside of sub-frame lugs. Pins should fit inside slots cut into sub-frame lugs. (See Figure 1-12).

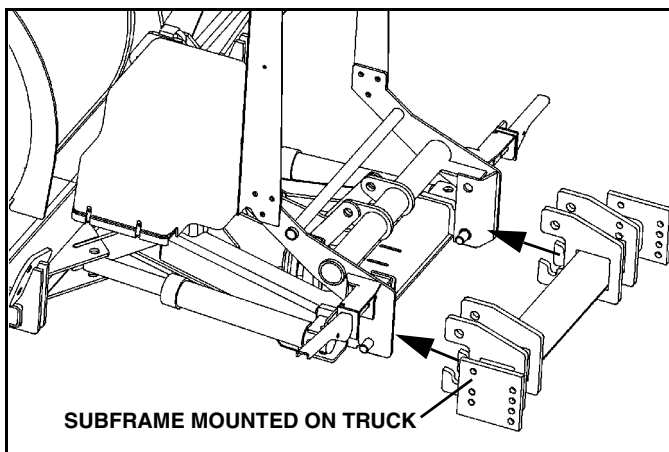


Figure 1-12

*NOTE: If pins are too high or low to fit into slots on sub-frame, adjust the height by plugging in the plow and hand held controller. **For Down Pressure Plows** - To lower the pins, turn on down pressure and press down. To raise the pins, press up. **For Gravity Plows** - To lower the pins, place plow in float and push up on light bar. To raise the pins, press up.*



WARNING

When using the hand held controller to raise or lower the plow A-frame for mounting the plow to the vehicle, be especially careful of the movement of the light bar. This movement will occur when raising or lowering the A-frame or jack stand.

FAILURE TO FOLLOW CAN RESULT IN INJURY OR DEATH



WARNING

Pressing the blade angle functions will result in the A-frame swinging if it is not secured to the truck. Do not press the angle function during plow installation.

FAILURE TO FOLLOW CAN RESULT IN INJURY OR DEATH

2. Plug in power harness and remove controller from truck cab. Plug controller into plow.



WARNING

The power cable in front of the truck is wired directly to the battery. The power cable is always energized, even if the truck is turned off. Always replace the protective cap after disconnecting the plow power cable. Allowing an unprotected plug to contact metal parts of the truck may cause electrical component damage. Never use a metal object to clean the plug contacts.

FAILURE TO FOLLOW CAN RESULT IN INJURY OR DEATH

3. Rotate light/lift bar into position by turning on down pressure and pressing the lower button. (See Figure 1-13).

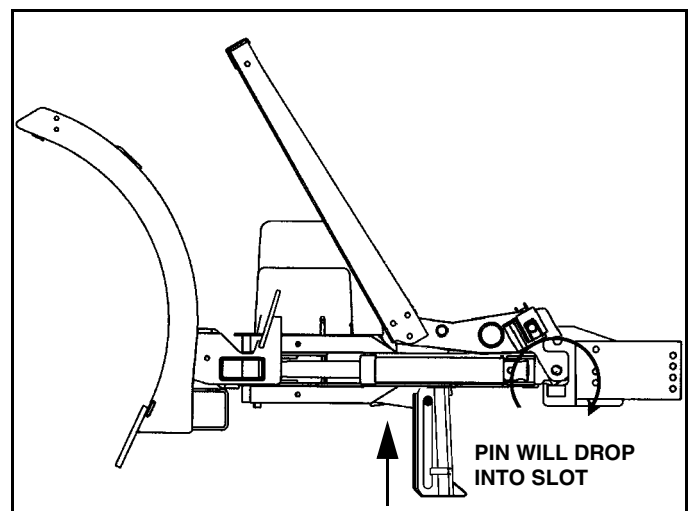


Figure 1-13

NOTE: If your plow is not equipped with down pressure hydraulics you will have to manually rotate the light lift bar into position by placing plow in float mode and pushing on the light bar.

4. Put plow into float position by turning down pressure off. Rotate pin handles down to lock pins in place. (See Figure 1-14).


WARNING

Make sure that upper hitch pins are engaged before moving truck. Hitch pins not fully engaged could result in the plow separating from the truck.

FAILURE TO FOLLOW CAN RESULT IN INJURY OR DEATH

NOTE: Upper hitch pins are fully engaged when pin handle is tight against pin bracket and you cannot see the upper hitch pin between the pin bracket and pin handle. If upper hitch pins are not fully engaged:

A. Raise plow an inch off the ground, then lower. Or,

B. Turn Down Pressure ON and then OFF.

Upper hitch pins will snap into place.

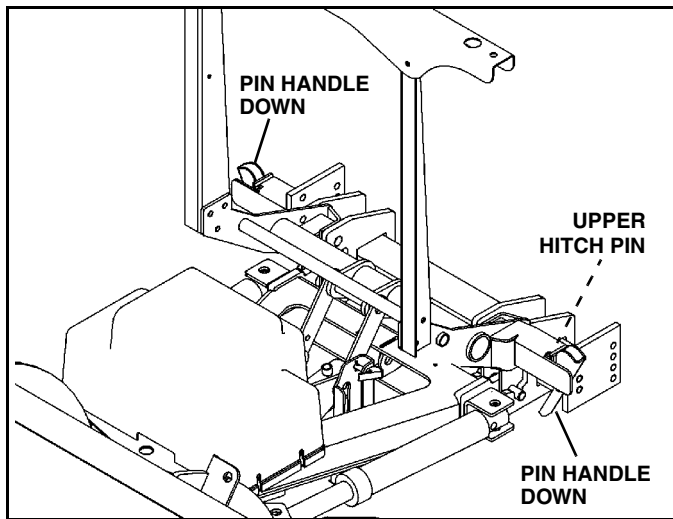


Figure 1-14

5. Unplug plow from control.

6. Disengage both jack stand pins by pulling on handles. Raise the jack stand and engage the bottom pin by pushing on the handle. Make sure pin is engaged in hole by rotating jack stand back and forth. (See Figure 1-15).

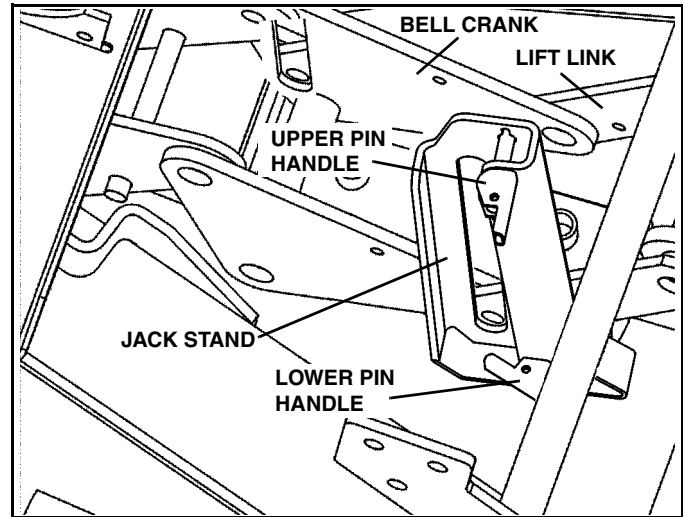


Figure 1-15

7. Plug plow light connectors into mating connectors on truck light harness (See Figure 1-16).

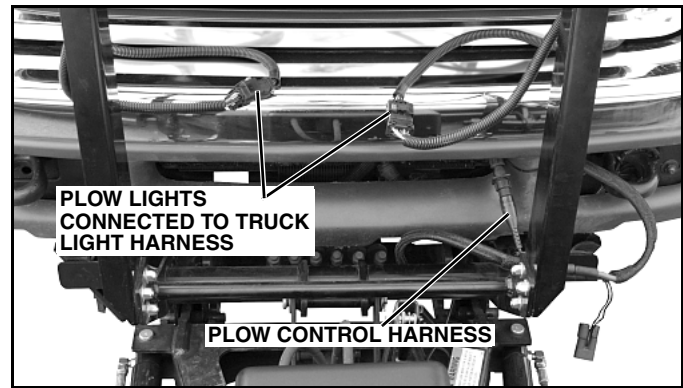



Figure 1-16


WARNING

Failure to properly connect plow lights to vehicle light harness will prevent plow lights from functioning. Follow proper procedure to connect light harnesses and test lights before operating.

FAILURE TO FOLLOW CAN RESULT IN INJURY OR DEATH

8. Plug control harness on plow into truck. Plug plow control inside truck cab.

9. Raise, lower and angle plow to make sure no hoses or wires pinch in the plow mechanism.

Installing The Cylinder Lock Clamp



WARNING

Always install the cylinder lock clamp when the plow blade is raised and the operator is not engaged in plowing operations. Equipment failure or inadvertent operation of the plow control while driving could allow the plow blade to fall, resulting in injury.

FAILURE TO FOLLOW CAN RESULT IN INJURY OR DEATH

1. Raise the plow to the full UP position.
2. Turn the ignition OFF and apply the parking brake.
3. Turn OFF the hand-held controller.
4. Remove the pin from the cylinder lock clamp.
5. Position the cylinder lock clamp around the exposed (chrome) portion of the lift cylinder with the open side of the cylinder lock up. Install the pin. (See Figure 1-17).

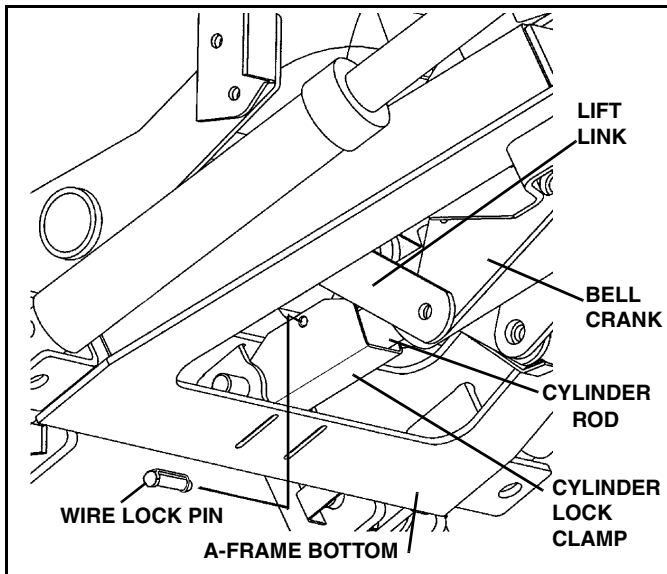


Figure 1-17

6. Lower the plow so that cylinder lock clamp is tight against cylinder.



WARNING

Failure to lower plow onto clamp could block headlights resulting in an accident.

FAILURE TO FOLLOW CAN RESULT IN INJURY OR DEATH

Operation Check and Inspection

1. Raise plow to the full up position. Check to make sure snowplow headlamp beam is not being impaired by the top of the blade assembly. If the headlamp beam is being impaired, adjust the light bar. (See instructions in Light Kit).
2. Raise and lower the plow while inspecting the routing of the wiring harness on the plow to insure that it does not come in contact with any sharp edges or moving parts. If necessary, revise the harness routing to obtain clearance and tape or tie the harness to maintain clearance.
3. Extend and retract each wing assembly and inspect for proper clearances of all moving parts.
4. Check oil level.

Disk Shoe Adjustment

IMPORTANT: This plow is equipped with three (3) disk shoes. Two disk shoes are located at the outboard end of each wing. The third disk shoe is located under the trip springs on the center plow assembly. All three disk shoes must be adjusted equally.

IMPORTANT: To ensure the best function of this snow plow, it is a requirement that all three disk shoes be used at ALL times.

1. Drive the vehicle, with snow plow mounted, onto a smooth, level surface. Park the vehicle, move the plow wings until the wings are straight out on each side and lower the plow to the ground.
2. Turn ignition switch OFF and apply the emergency brake. Turn hand-held controller off.
3. Inspect both float limiter screws and be sure that the hex head of the screws are not contacting the wear plate underneath the hex head of the screw. If necessary, adjust each screw upward so that the screw head is not contacting the wear plate when the pivot tubes are vertical.

NOTE: After disk shoe adjustment is completed, the float limiter adjustment must be made. See "Float Limiter Adjustment" on page 13.

4. Place a level against the front of the wing pivot tubes and pull or push the top of the center section until the level indicates that the pivot tubes are vertical (Not tipped either forward or rearward).

5. Determine whether the center disk shoe or the center wearstrip is off the ground and measure the amount that it is off the ground. (See Figure 1-18).

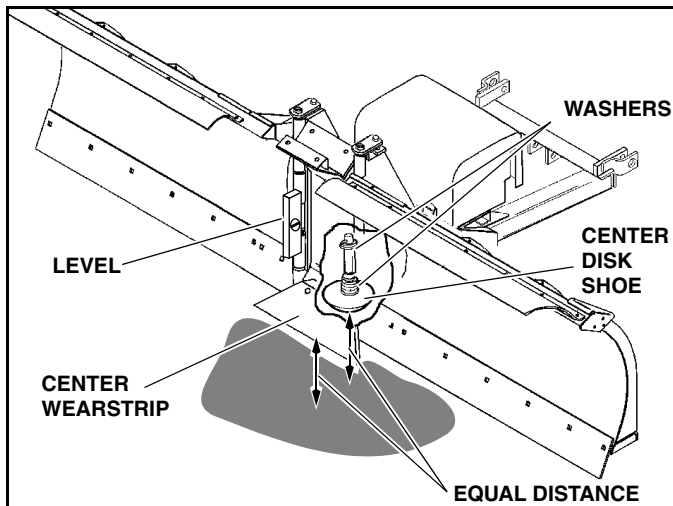


Figure 1-18

NOTE: Gap may be measured by sliding shims or washers between the ground and/or the center disk shoe or the center wearstrip, then measuring the shim/washer stack. The center disk shoe will need to be adjusted until the disk shoe and center wearstrip both contact the ground at the same time.

- If the center disk shoe was off the ground - Washers must be **ADDED** below the disk shoe mounting tube. If the center wearstrip was off the ground - Washers must be **REMOVED** from below the disk shoe mounting tube.

IMPORTANT: If washers must be added, add one washer LESS than the amount the disk shoe was off the ground. If washers must be removed, remove one washer MORE than the amount the wearstrip was off the ground.

6. Raise plow and place suitable blocking under the plow to allow at least eight inches (8") of clearance from the bottom of the center disk shoe to the ground.

7. Lower plow onto blocking.



WARNING

Keep hands and feet clear of wings and center section when setting blocking and lowering plow. Moving or falling assemblies could result in serious injury.

FAILURE TO FOLLOW CAN RESULT IN INJURY OR DEATH.

8. Adjust center disk shoe assembly by removing the disk shoe mounting pin and adding or subtracting washers on the top or bottom of the disk shoe mounting bracket as required according to measurements taken in step #4.

9. After the center disk shoe position is properly adjusted, place washers on the disk shoe stem - above the disk shoe mounting bracket, and below the retaining pin - to remove all up and down movement of the disk shoe in the bracket. Failure to do this will result in excessive wear of the holes in the disk shoe mounting bracket and will also result in bending the disk shoe stem.

10. After the center disk shoe adjustment is completed, lower the plow to the ground. If this disk shoe adjustment is correct, the center disk shoe and the center wearstrip will both be on the ground and the wing tubes will be vertical (Recheck the wing tubes with a level). If wing tubes are not vertical, repeat steps #3 to #9 until wing tubes are vertical.

NOTE: If assembling and mounting a snow plow for the first time, the adjustment of the center disk shoe can be done with just the center section mounted on the vehicle, prior to assembling the wings onto the center section of the plow.

11. With each wing extended straight out to each side, measure the amount the wing shoes are off the ground, or if they are on the ground, measure the amount that the wearstrip is off the ground (measured in front of the disk shoe bracket).

12. Raise plow and place suitable blocking under the plow to allow at least six inches (6") of clearance from the bottom of the wing disk shoes to the ground.

13. Lower plow onto blocking.



WARNING

Keep hands and feet clear of wings and center section when setting blocking and lowering plow. Moving or falling assemblies could result in serious injury.

FAILURE TO FOLLOW CAN RESULT IN INJURY OR DEATH.

14. Adjust each disk shoe assembly by removing disk shoe mounting pin and adding or subtracting washers on the top or bottom of the disk shoe mounting bracket as required according to measurements taken in step #11. (See Figure 1-19).

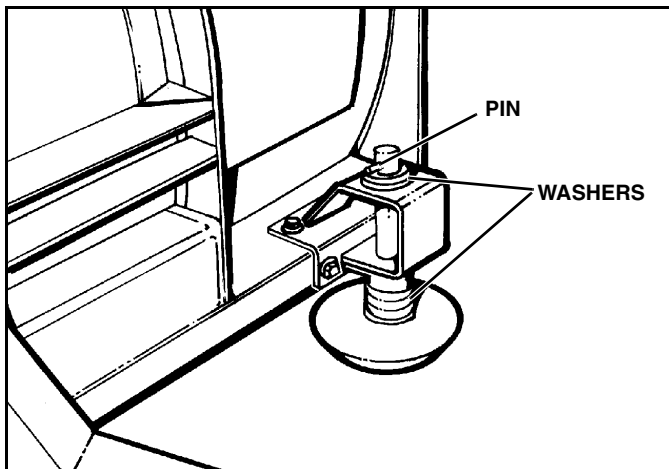


Figure 1-19

15. After the disk shoe position is properly adjusted, place washers on the disk shoe stem - above the disk shoe mounting bracket, and below the retaining pin - to remove all up and down movement of the disk shoe in the bracket. Failure to do this will result in excessive wear of the holes in the disk shoe mounting bracket and will also result in bending the stem of the disk shoe.

16. After the wing disk shoe adjustment is complete, lower the plow to the ground. If this disk shoe adjustment is correct, the shoes and the wearstrips will all be on the ground at the same time, if not, repeat steps #11 to #15.

17. Move the wings forward and rearward, if the wing wearstrips and the center wearstrips are not on the ground at all times recheck the position of the wing pivot tubes. The tubes must be vertical, if they are not vertical, the center disk shoe will need to be adjusted.

Trip Spring Adjustment

NOTE: The trip springs are factory installed and adjusted, but adjustment should be checked during plow set-up and installation.

Springs are properly adjusted when two or more coils allow a 0.010" feeler gauge to just pass between the separated coils. (A 3 x 5 post card is approximately the same thickness.)

If readjustment is required:

1. Install cylinder lock clamp according to instructions on Page 10.
2. Check to make sure that the spring is installed as illustrated with open end of top loop facing vehicle. (See Figure 1-20)
3. Using a 15/16" socket wrench through the holes in the bottom plate of the main frame, loosen the two (2) 5/8" nuts on the trip spring eyebolts. (See Figure 1-20).



CAUTION

- Do not overtighten springs. If more than 0.015" (1/64") gap appears between coil with plow at rest damage could occur to equipment during plowing.
- Spring must be installed with open end of top loop facing vehicle. Bottom loop position will vary.

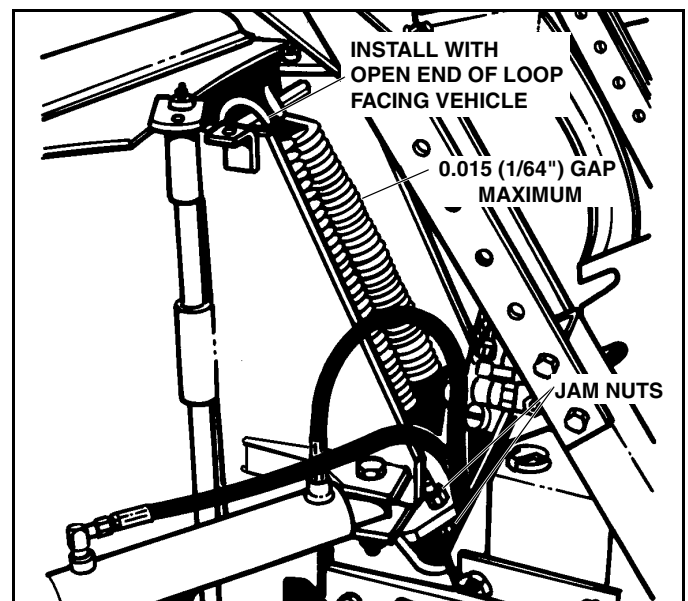


Figure 1-20

4. After the two lower nuts have been loosened, the two upper nuts can be rotated on the eye bolts to allow the trip springs to be shortened or lengthened.

5. While holding the two upper nuts, re-tighten the two lower nuts and then re-check the spring adjustment.

Float Limiter Adjustment

IMPORTANT: The disk shoes must be properly adjusted prior to adjusting the float limiter. If the shoes are not properly adjusted, the float limiter adjustment cannot be properly made.

1. With the vehicle and snow plow on a smooth, level surface move the wings forward into the "Scoop" position and lower the plow to the ground.

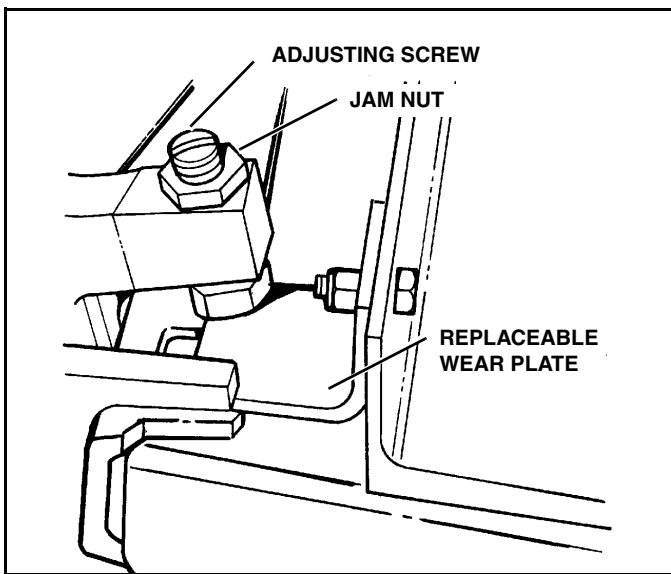


Figure 1-21







2. Loosen the 5/8" jam nut on the top of the float limiter adjusting screw.

3. Using the screwdriver slot in the top of the float limiter adjusting screw, turn the adjusting screw down until the hex head of the adjusting screw touches the surface of the replaceable wear plate.

4. Turn the adjusting screw up two turns to provide a gap between the wear plate and the head of the adjusting screw for proper float allowance.

5. While holding the adjusting screw driver slot, to prevent turning of the adjusting screw, tighten the 5/8" jam nut to lock the adjusting screw and prevent turning of the adjusting screw during operation.

TORQUE SPECIFICATIONS

SAE Grade and Head Markings	1 or 2 No Marks 	5 5.1 5.2 	8 8.2 
SAE Grade and Nut Markings	2 No Marks 	5 	8 

	Grade 1		Grade 2		Grade 5, 5.1 or 5.2		Grade 8 or 8.2	
	Lubricated ^a	Dry ^b	Lubricated ^a	Dry ^b	Lubricated ^a	Dry ^b	Lubricated ^a	Dry ^b
SIZE	lb-ft	lb-ft	lb-ft	lb-ft	lb-ft	lb-ft	lb-ft	lb-ft
8-32			14*	19*	22*	30*	31*	42*
10-24			21*	27*	32*	43*	45*	60*
1/4	2.8	3.5	4.5	5.5	7	9	10	12.5
5/16	5.5	7	9	11	15	18	21	26
3/8	10	13	16	20	26	33	36	46
7/16	16	20	26	32	41	52	58	75
1/2	25	31	39	50	63	80	90	115
9/16	36	45	56	70	90	115	130	160
5/8	50	62	78	100	125	160	160	225
3/4	87	110	140	175	225	280	310	400
7/8	140	175	140	175	360	450	500	650
1	210	270	210	270	540	675	750	975

DO NOT use these values if a different torque value or tightening procedure is given for a specific application.

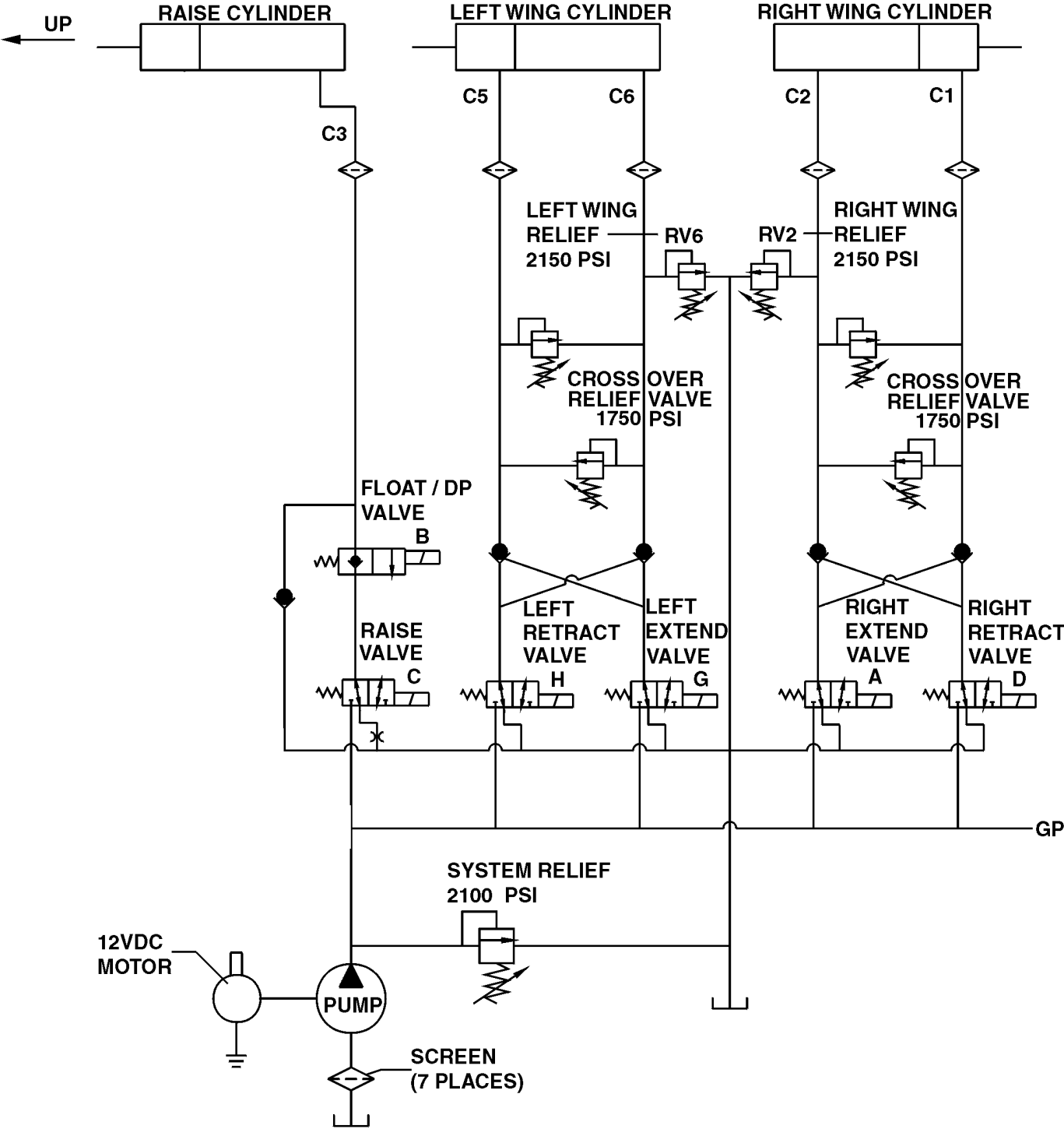
Fasteners should be replaced with the same or higher grade. If higher grade fasteners are used, these should only be tightened to the strength of the original.

^a "Lubricated" means coated with a lubricant such as engine oil, or fasteners with phosphate and oil coatings.

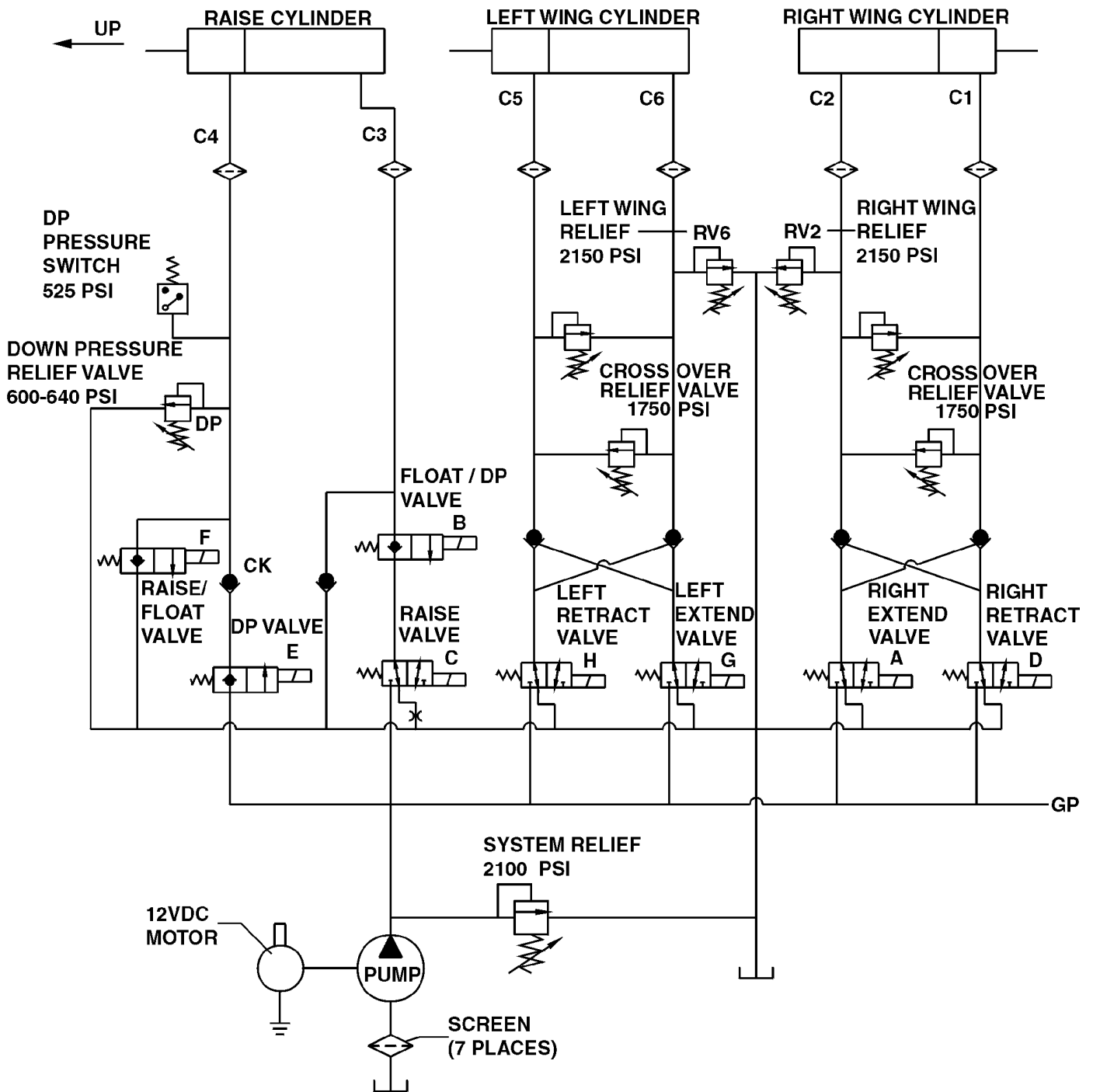
^b "Dry" means plain or zinc plated without any lubrication

* Values with asterisk are in lb-in.

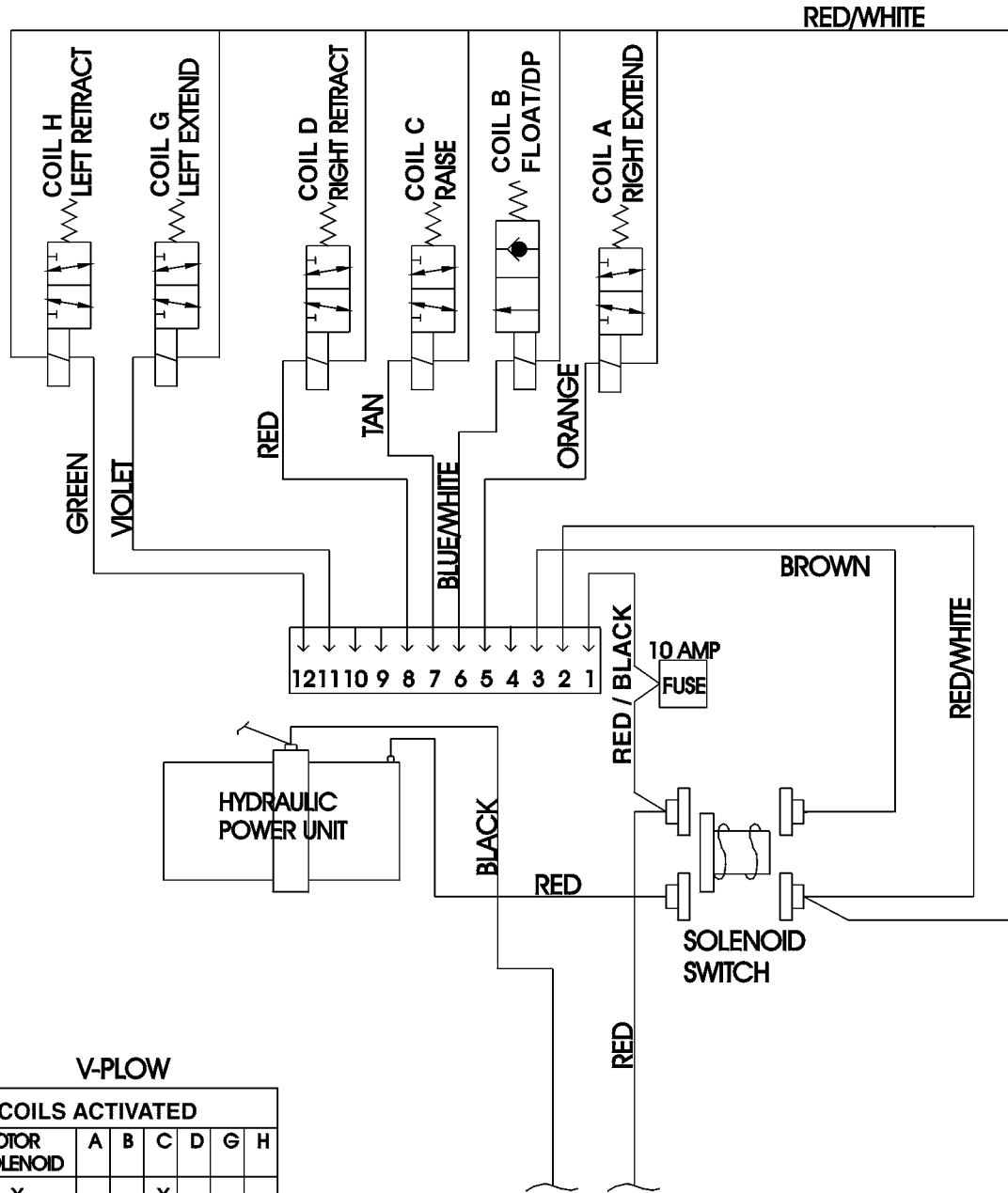
HYDRAULIC SCHEMATIC (GRAVITY)



HYDRAULIC SCHEMATIC (DOWN PRESSURE)



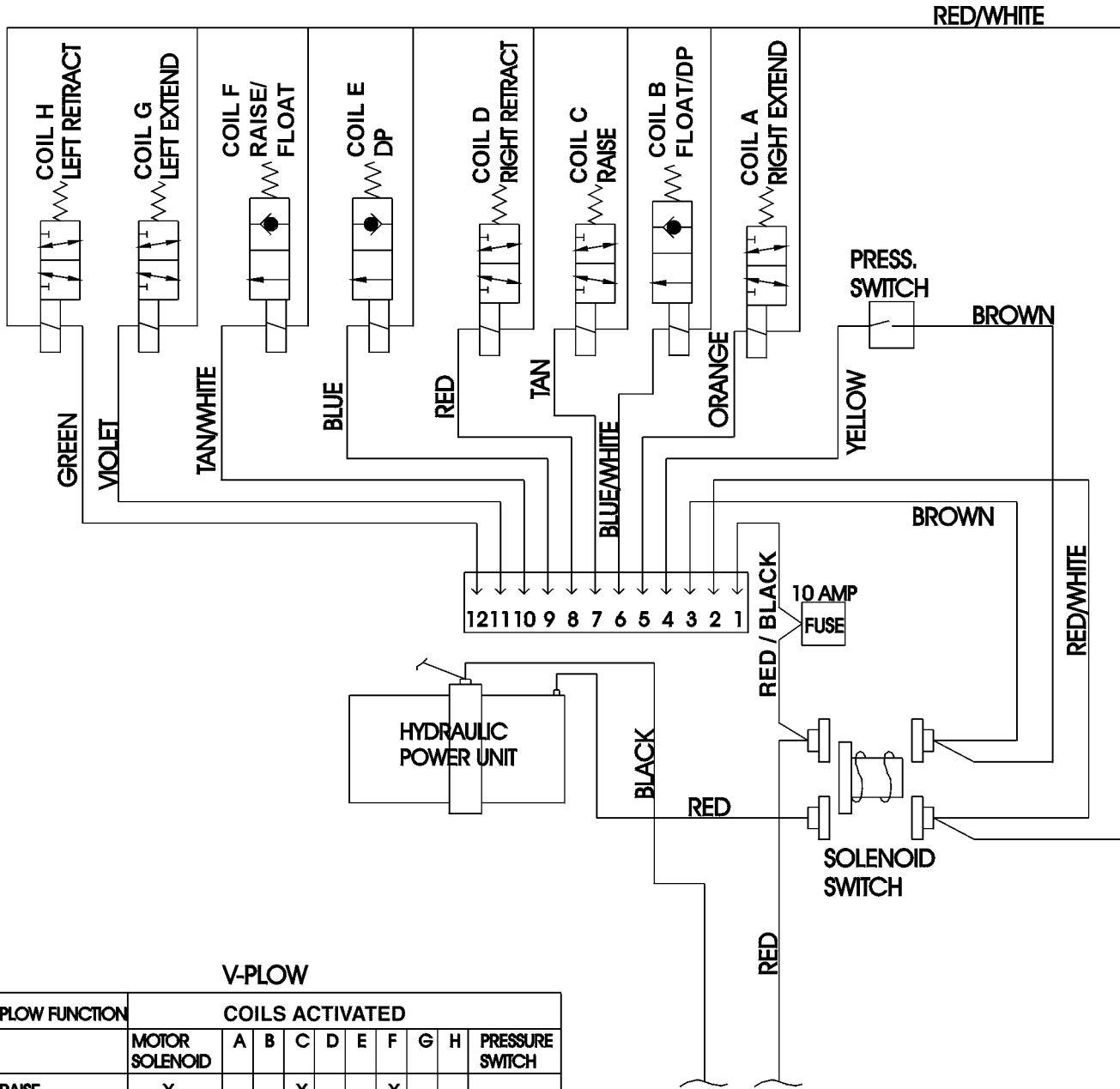
WIRING SCHEMATIC (GRAVITY)



V-PLOW

FLOW FUNCTION	COILS ACTIVATED						
	MOTOR SOLENOID	A	B	C	D	G	H
RAISE	X			X			
DOWN (FLOAT)			X				
LEFT EXTEND	X					X	
LEFT RETRACT	X						X
RIGHT EXTEND	X	X					
RIGHT RETRACT	X				X		

WIRING SCHEMATIC (DOWN PRESSURE)



V-PLOW

FLOW FUNCTION	COILS ACTIVATED								PRESSURE SWITCH	
	MOTOR SOLENOID	A	B	C	D	E	F	G		H
RAISE	X			X			X			
DOWN (FLOAT)			X				X			
DOWN PRESSURE	X		X			X				X
LEFT EXTEND	X							X		
LEFT RETRACT	X								X	
RIGHT EXTEND	X	X								
RIGHT RETRACT	X			X						

NOTE: COIL E MUST BE DEACTIVATED FOR WING ANGLE FUNCTIONS

NOTES

NOTES

SNO-WAY[®] INTERNATIONAL, INC.

SNO-WAY[®]
SNOW & ICE CONTROL EQUIPMENT

Hartford, WI 53027 USA
Website: www.snoway.com
©2006 Sno-Way[®] International

DEALER PRE DELIVERY CHECKLIST

The following inspections **MUST** be accomplished prior to delivering the snowplow to the customer. Place an X in the box after accomplishing each item on the checklist.

CHECK THAT

- Parts have not been damaged in shipment. Repair or replace items that are loose, dented or missing.
- All covers, guards and decals are in place and attached securely.
- All pivot pins and cotters are installed and secure.
- Trip springs are adjusted.
- Disk Shoe assemblies are installed and adjusted.
- Float Limiters are properly adjusted.
- Snow plow headlamps are adjusted properly.
- Snow plow headlamps are functional.
 - High Beam Low Beam Park Lamps
 - Left Turn Right Turn Headlamp Beam Aimed Correctly
- Cylinder lock clamp is installed.

Start the vehicle engine and place an X in the box after accomplishing each item on the checklist.

CHECK THAT

- ALL** blade functions work properly.
- Cylinders, hoses and fittings **DO NOT** leak.
- Listen for abnormal noises or vibrations; Repair or replace as necessary.
- The Power Unit is properly filled.

DELIVERY CHECKLIST

The following checklist is to be accomplished with the customer present, Place an X in the box after accomplishing each item on the checklist.

- After giving the Customer his Owner's Manual, instruct him to read it **PRIOR** to operating the Snow Plow. If he has any questions or does not understand part(s) of the Manual, ask him to contact the Dealer for answers or explanations **BEFORE** operating the unit.
- Record the Serial Numbers, Date of Purchase, Purchaser's Name and Address, and the Dealers Name, Address and Phone Number in the space provided on Page 1 of the Owner's Manual.
- Explain connect and disconnect procedures.
- Explain the necessity of Disk Shoe usage at all times to ensure optimum plow performance.
- Explain the necessity of proper Float Limiter adjustment to ensure optimum plow performance.
- Demonstrate power Jackstand function and operation.
- Demonstrate cylinder Lock Clamp installation.
- Demonstrate Down Pressure hydraulic system function and operation.
- Fill out Warranty Registration Card and mail COPY 1 to the factory to validate Warranty. NO Warranty claims can be honored if the Warranty Card is not on file at the factory.**

SNO-WAY[®] INTERNATIONAL, INC.



Hartford, WI 53027 USA
Website: www.snoway.com
©2006 Sno-Way[®] International