

SNO-WAY®

SNOW & ICE CONTROL EQUIPMENT

SERVICE PARTS MANUAL

29, 29T & 32 SERIES SNOW PLOWS WITH EIS® PLOW LIGHT HARNESS CONNECTIONS

FOR GRAVITY & CENTRAL HYDRAULICS
WITH SERIAL NUMBERS BEFORE:
29G200010, 29TG100100, 32G100400, 32C100100

FOR DOWN PRESSURE® HYDRAULICS
WITH SERIAL NUMBERS BEFORE:
29D102300, 29TD100400, 32D200100

Sno-Way®, Down Pressure® and EIS® are registered trademarks of Sno-Way International, Inc.
ProControl™, MegaBlade™, V-Wing™, E-Z Switch™, Revolution™, MaxAdjust™, SpeedLock™, and QuickJack™
are trademarks of Sno-Way International, Inc.

©2014 Sno-Way® International

97100829Z

TABLE OF CONTENTS

	Page
PARTS LIST INTRODUCTION	2
POWER PACK FRAME - 29 & 32 SERIES	3
POWER PACK FRAME - 29 & 32 SERIES (continued).....	5
POWER PACK FRAME - 29T SERIES.....	7
POWER PACK FRAME - 29T SERIES (continued)	9
BLADES - 29 SERIES	11
BLADES - 32 SERIES	13
BLADES - 29T SERIES	15
HYDRAULIC SYSTEM - GRAVITY DOWN - 29, 32	17
HYDRAULIC SYSTEM - DOWN PRESSURE - 29, 32	18
HYDRAULIC POWER UNIT - GRAVITY DOWN - 29, 32.....	19
HYDRAULIC POWER UNIT - DOWN PRESSURE 29, 29T, 32 - With S.N. Before :29D102300, 29TD100400, 32D102800	21
AUXILIARY LIGHTS S.N.: 32D100000 - 102149, 32G100000 - 100299, 32C100000 - 100049	23
AUXILIARY LIGHTS With S.N. Between: 32D102150-200054, 32G100300-100400, 32C100050-100100, 29D100000-102300, 29G100000-200006, 29TD100000-100400, 29TG100000-100100	25
POWER PACK WIRING.....	27
NUMERICAL INDEX	28

NOTE: For CONTROLLER SYSTEM WIRING - See Manual 97101915 - Snow Plow and Spreader Controls for parts breakdown and details.

PARTS LIST INTRODUCTION

Our dealership network stands by to provide you with any assistance you may require, including genuine Sno-Way service parts. All parts should be obtained from or ordered through your dealer. Give complete information about the part as well as the Model Number and Serial Number of your machine.

Record the Serial Number in the space provided in your Owner's Manual for quick reference. The Serial Number for the unit is on a plate located on the left frame gusset of the Hopper Frame.

"Right" and "Left" are determined from a position sitting on the Operators Seat of the vehicle.

We reserve the right to make changes or improvements in the design or construction of any part without incurring the obligation to install such changes in any unit previously delivered.

USING THIS PARTS LIST

Below is parts listing with four columns. The first column is the "ITEM", the second is the "PART NUMBER", The third is the "DESCRIPTION" and the fourth is the "QUANTITY".

The "ITEM" is the number used in the corresponding illustration.

The "PART NO." Is the number used to order replacement parts. If a number does not appear in the column the part is only available by ordering the complete assembly.

The "DESCRIPTION" is the name of the replacement part. At times the name may be indented, this means that the indented parts are part of the preceding assembly.

The "QTY." Is the quantity needed to service the assembly illustrated, not the complete product.

ITEM	PART NO.	DESCRIPTION	QTY.
1	96100083	O-ring	1
2	96001529	Elbow	3
3	98100036	Capscrew, Hex., 3/8"-16NC x 7/8"	9

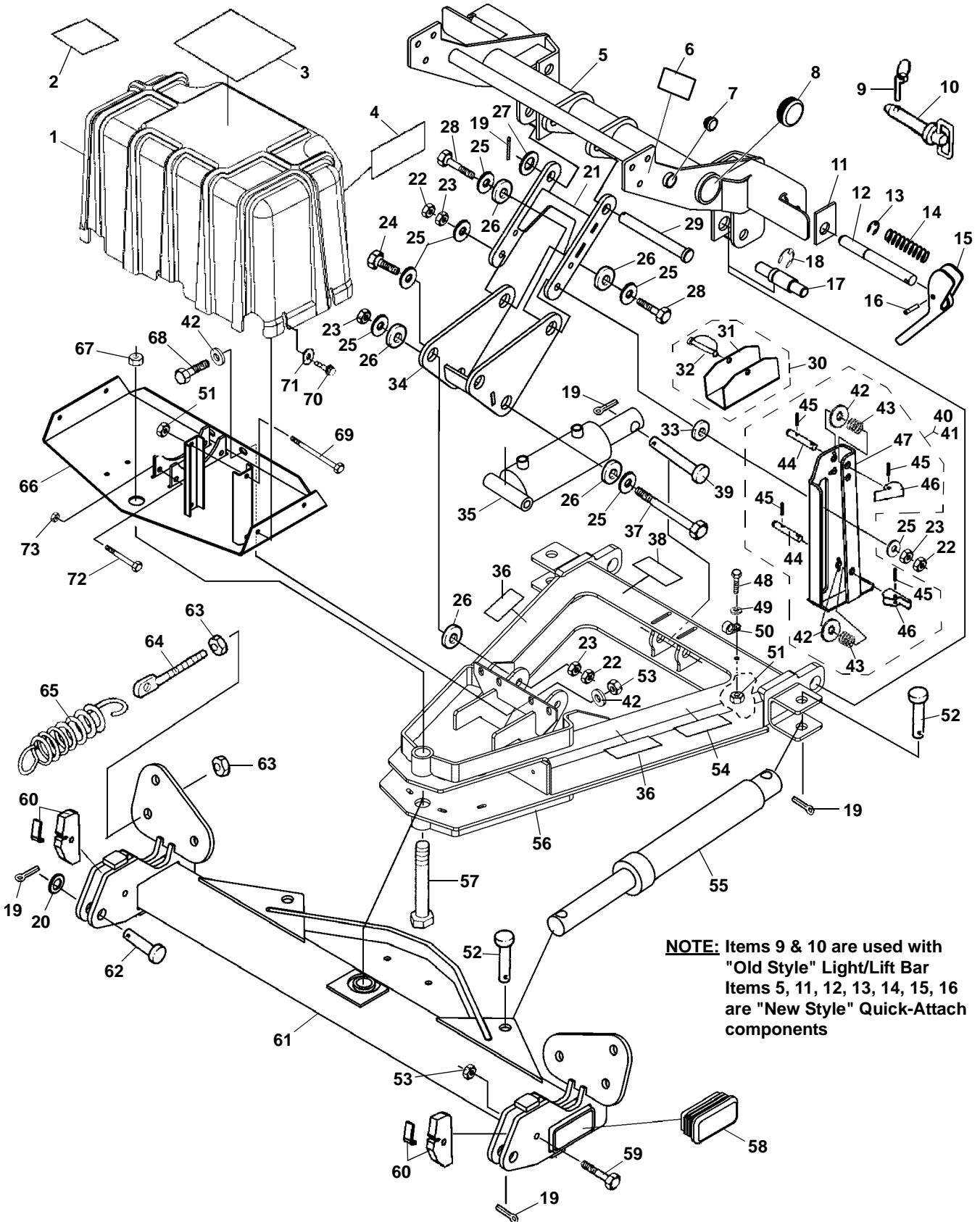
PART DESCRIPTION ABBREVIATIONS

Our Part Descriptions use common industry standard abbreviations in the naming conventions for many individual items. The list below details the abbreviations commonly used throughout this manual. If a specific abbreviation is not listed, contact any Sno-Way Dealer for clarification.

ABBREV.	DESCRIPTION
BRKT	BRACKET
CB	CARRIAGE BOLT
CLP	CLEVIS PIN
COTP	COTTER PIN
DP	DOWN PRESSURE
DS	DRIVER SIDE
EB	EYE BOLT
GR	GRADE
HDWE	HARDWARE
HHCS	HEX HEAD CAP SCREW
HN	HEX NUT
HNILN	HEX NYLON INSERT LOCKNUT

ABBREV.	DESCRIPTION
HW	HARD WIRED
HWH	HEX WASHER HEAD
LN	LOCK NUT
LW	HELICAL LOCK WASHER
PS	PASSENGER SIDE
PW	PLAIN FLAT WASHER
SHCS	SOCKET HEAD CAP SCREW
SLT	SLOTTED
SS	STAINLESS STEEL
ST	SELF-THREADING
UB	U-BOLT
WL	WIRELESS

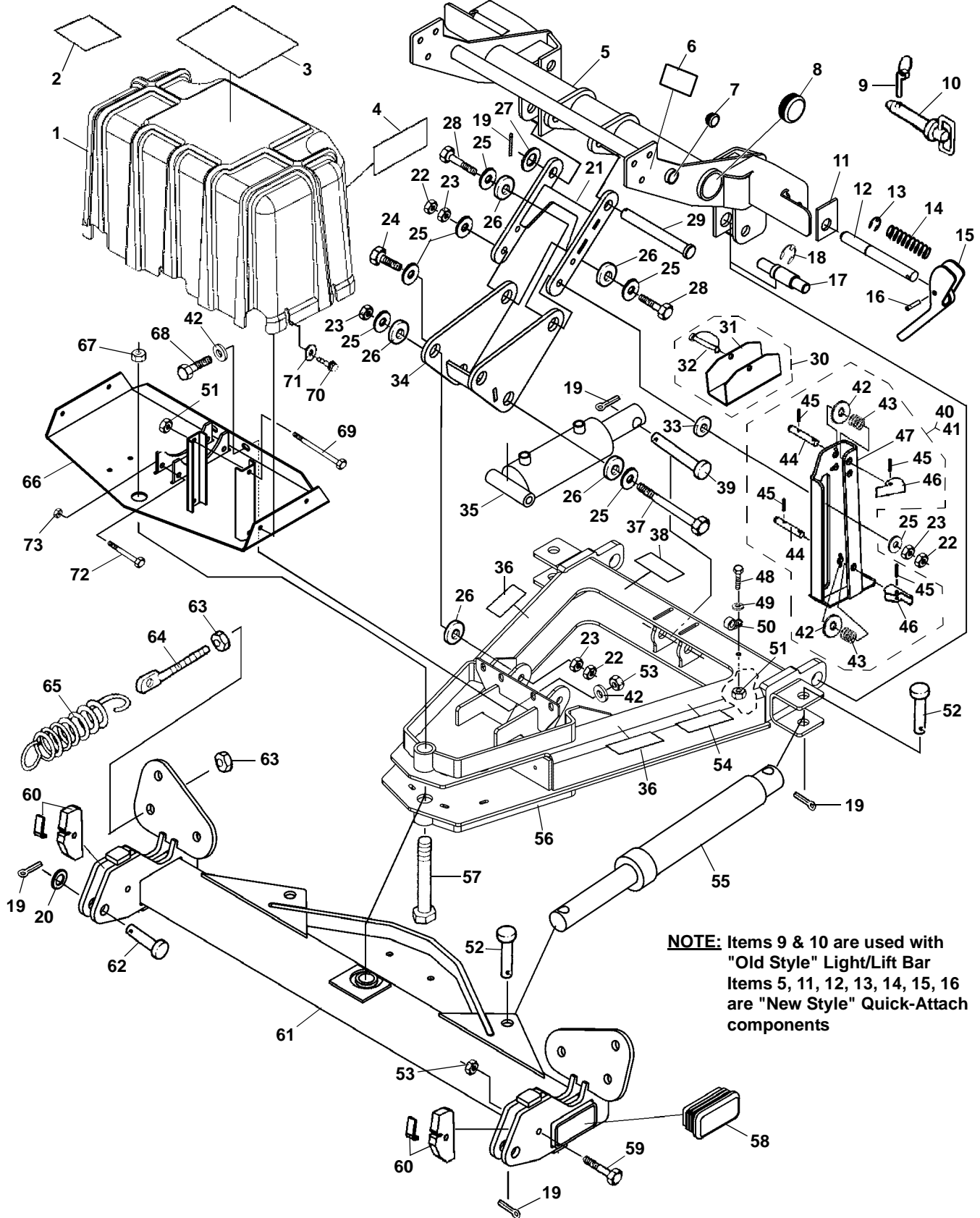
POWER PACK FRAME - 29 & 32 SERIES



POWER PACK FRAME - 29 & 32 SERIES

ITEM	PART NO.	DESCRIPTION	QTY
1	96114511	Cover, Pump, Gravity.....	1
	96113427	Cover, Pump, Down Pressure	1
2		Decal, Wiring Schematic, ProControl	1
		Decal, DP System.....	1
		Decal, Gravity System	1
3		Decal, Mounting Instructions	1
4		Decal, Warning, Cover Removal.....	1
5	96107125	Light/Lift Bar, Quick-Attach	1
	96107400	Assembly, Light/Lift Bar, Quick-Attach (includes items 5, 6, 7, 8, 11, 12, 13, 14, 15, 16).....	1
6	97100400	Decal, Warning	1
7	96108874	End Cap, 1"	2
8	96108873	End Cap, 2-1/4"	2
9	98009169	Pin, Lynch, 1/4" x 1-5/8" (used with "Old Style" Light/Lift Bar).....	2
10	96105046	Pin, Hitch (used with "Old Style" Light/Lift Bar).....	2
11	96107329	Plate, Bearing, Polyethylene.....	2
12	96107128	Pin, Quick-Tatch.....	2
13	98100312	E-Ring.....	2
14	96107130	Spring, SS.....	2
15	96110413	Handle, Quick-Release (Replaces 96109013 - No longer sold).....	2
16	98100313	Pin, Roll, 1/4" x 1-3/8" SS	2
17	96106144	Pin, Quick Hitch	2
18	98100300	E-Ring, 1"	2
19	98009085	Pin, Cotter, 5/32" x 1-1/2"	8
20	98009030	Washer, Flat, 3/4"	2
21	96111895	Link, Lift, HD	1
22	98100172	Nut, Jam, 1/2"-13.....	4
23	98009013	Nut, Nylock, 1/2"-13.....	5
24	98100390	Cap Screw, Hex, 1/2"-13 x 1-3/4"	2
25	98100176	Washer, Hardened.....	8
26		Bushing.....	6
	96110394	Kit, Bushing Service (Includes bushings and all mounting hardware).....	1
27	98009030	Washer, 3/4"	1
28	98100062	Cap Screw, Hex, 1/2"-13 x 2-1/4"	2
29	98100290	Pin, Clevis, 3/4" x 6"	1
30	96107767	Clamp, Cylinder Lock, Gravity Down	1
	96107768	Clamp, Cylinder Lock, Down Pressure	1
31		Clamp, Cylinder Lock, Gravity Down	1
		Clamp, Cylinder Lock, Down Pressure	1
32		Pin, Wire Lock.....	1
33	96102168	Spacer, Stand.....	1
34	96105618	Bellcrank	1
35	96106076	Cylinder, Lift, Gravity Down	1
	96106077	Cylinder, Lift, Down Pressure	1
36		Decal, Warning, Pinch Point	2
37	98009114	Cap Screw, Hex, 1/2"-13 x 6"	1
38		Decal, Patent	1
39	98100007	Pin, Clevis, 3/4" x 4"	1
40	96106605	Jackstand Assembly, 22/26/29/32 Series	1

POWER PACK FRAME - 29 & 32 SERIES (continued)

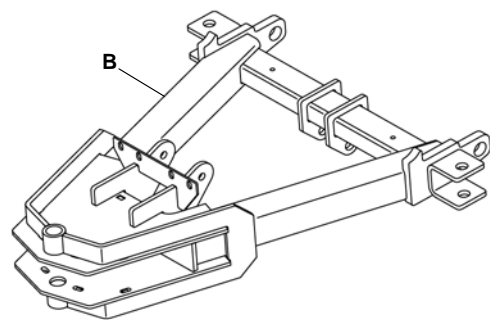
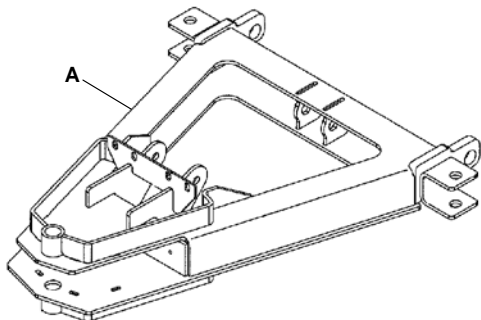


NOTE: Items 9 & 10 are used with "Old Style" Light/Lift Bar
Items 5, 11, 12, 13, 14, 15, 16 are "New Style" Quick-Attach components

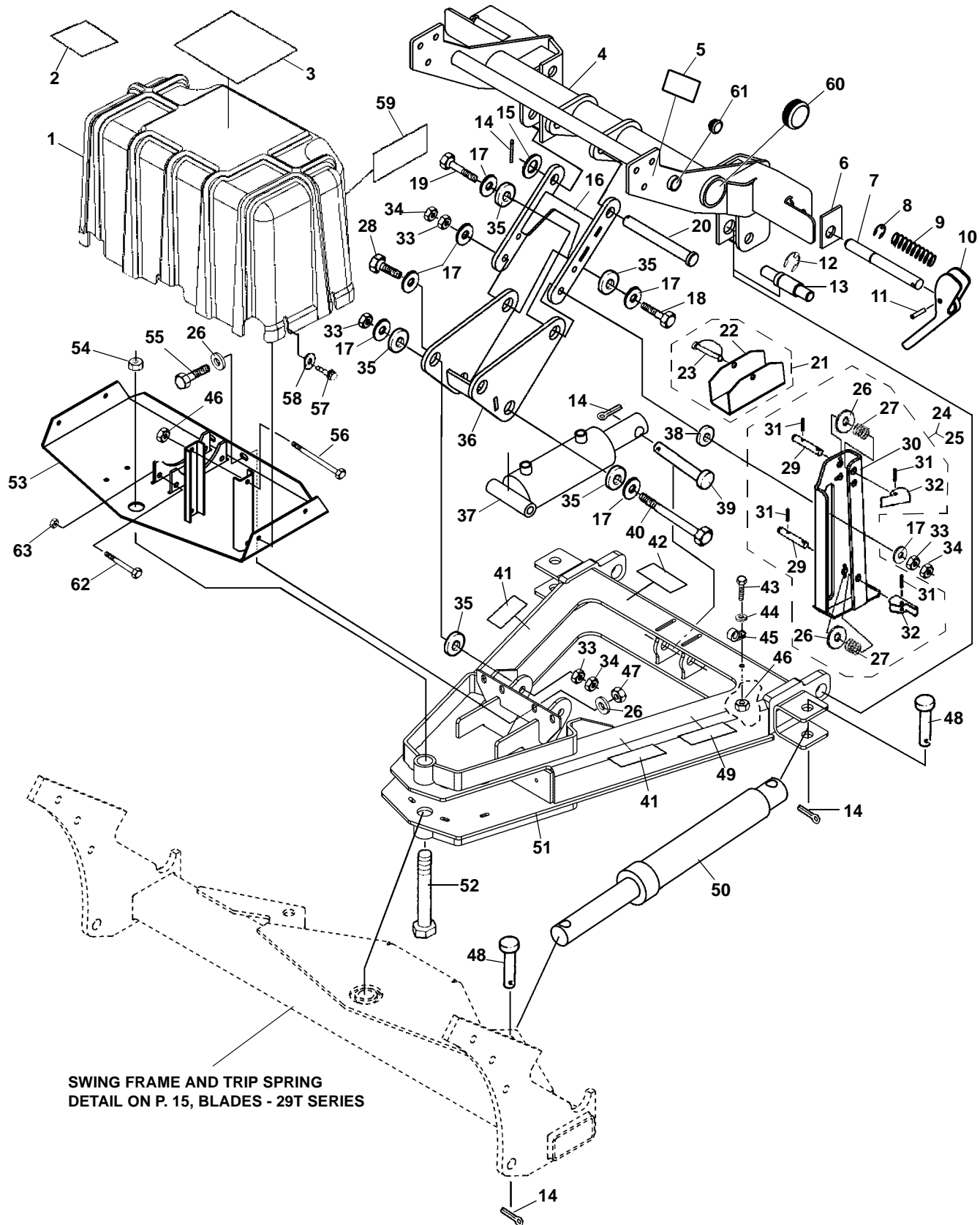
POWER PACK FRAME - 29 & 32 SERIES (continued)

ITEM	PART NO.	DESCRIPTION	QTY
41	96107711	Kit, Jackstand Hardware (includes one ea. items 42, 43, 44, 46, two item 45)	2
42	98009032	Washer, 3/8"	6
43		Spring, Latch	2
44		Pin, Latch	2
45		Roll Pin, 5/32" x 7/8"	4
46		Cam, Jackstand.....	2
47	96105959	Jackstand	1
48	98009027	Cap Screw, Hex, 1/4"-20 x 1"	1
49	98009029	Washer, Flat, 1/4"	1
50	96101891	Clamp, Tube	1
51	98100255	Nut, Nylock, 1/4"-20	2
52	98100040	Pin, Clevis, 3/4" x 3"	4
53	98009009	Nut, Hex Nylock, 3/8"-16	4
54		Decal, Warning	1
55	96110953	Cylinder, Angle, 1-1/2"	2
56	96112126	A-Frame (See Note if replacing A-Frame on a Down Pressure unit.)	1
57	98100006	Cap Screw, Hex, 1"-14 x 7-1/2"	1
58	96108876	End Cap, 2" x 4"	2
59	98009134	Cap Screw, Hex, 3/8"-16 x 2-1/2"	2
60	96107396	Kit, Cushion/Stop, Blade Trip, 32 Series	1
	96109981	Kit, Cushion/Stop, Blade Trip, 29 Series	1
61	96105457	Frame, Swing	1
62	98100315	Pin, Clevis, 3/4" x 2"	2
63	98009078	Nut, Hex, 5/8"-11 29 Series.....	4
		32 Series.....	8
64	98009037	Eye Bolt, 5/8"-11 x 6" 29 Series.....	2
		32 Series.....	4
65	96001392	Spring, Trip 29 Series.....	2
		32 Series.....	4
66	96106184	Platform, Pump.....	1
67	98100294	Nut, Hex, 1"-14	1
68	98009022	Cap Screw, Hex, 3/8"-16 x 1"	2
69	98100266	Cap Screw, Hex, 1/4"-20 x 6"	1
70	98019176	Screw, Flange Head, Self-Tapping, 5/16" x 1"	4
71	98019230	Washer, Flat, 5/16"	4
72	98100264	Cap Screw, Hex, 5/16"-18 x 2-1/4"	2
73	98009150	Nylock, Hex Head, 5/16"-18	2

NOTE: If replacing A-Frame on a Down Pressure unit and the damaged A-Frame looks like image A below. and the replacement A-Frame looks like image B below, a 96104953 and 96100003 must also be purchased and installed. See the Hydraulic System section for installation reference.



POWER PACK FRAME - 29T SERIES

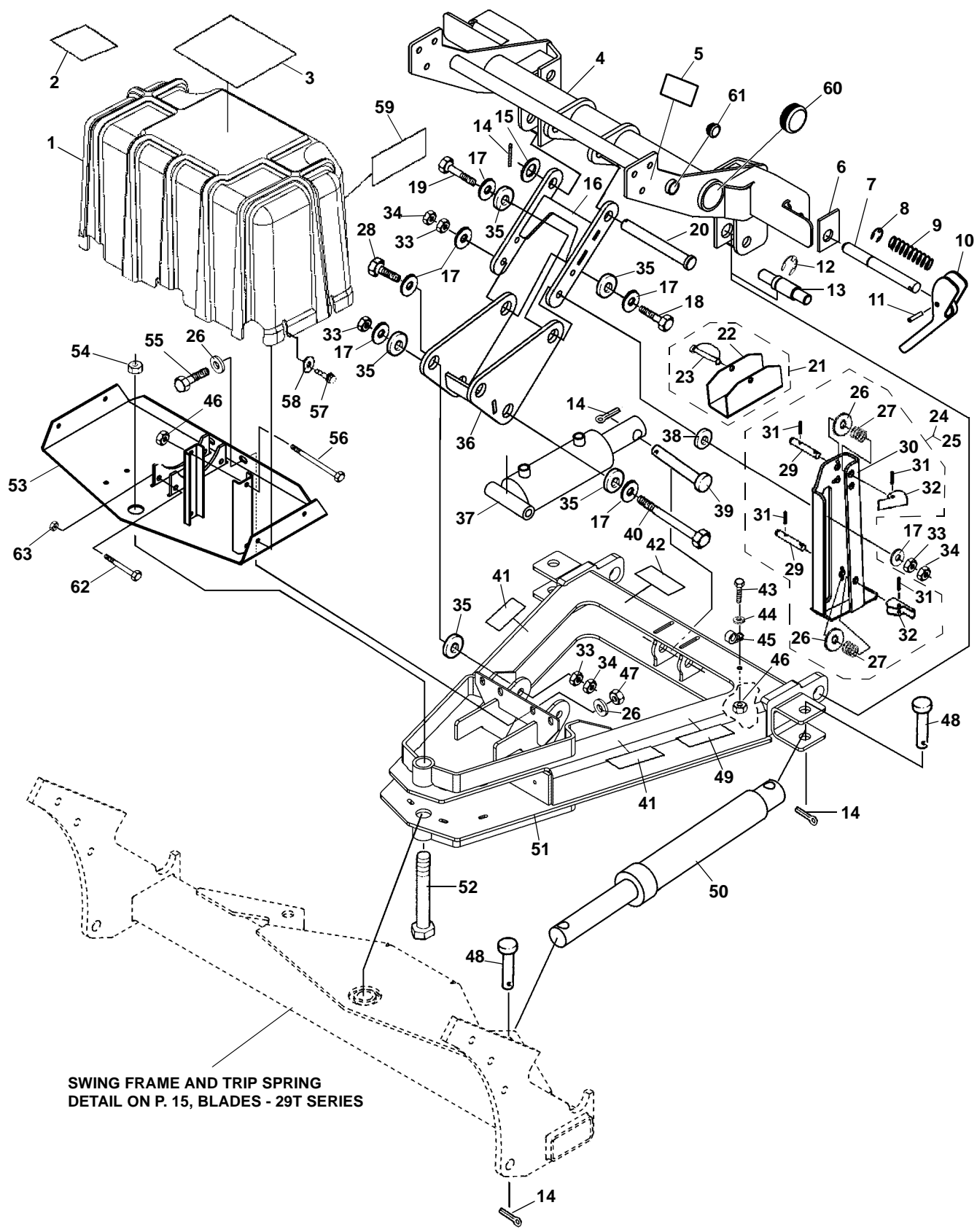


SWING FRAME AND TRIP SPRING
DETAIL ON P. 15, BLADES - 29T SERIES

POWER PACK FRAME - 29T SERIES

ITEM	PART NO.	DESCRIPTION	QTY
1	96114511	Cover, Pump, Gravity.....	1
	96113427	Cover, Pump, Down Pressure.....	1
2		Decal, Wiring Schematic, ProControl.....	1
		Decal, DP System.....	1
		Decal, Gravity System	1
3		Decal, Mounting Instructions.....	1
4	96107125	Light/Lift Bar, Quick-Attach	1
	96107400	Assembly, Light/Lift Bar, Quick-Attach (includes items 4, 5, 6, 7, 8, 9, 10, 11, 60, 61)	1
5		Decal, Warning	1
6	96107329	Plate, Bearing, Polyethylene.....	2
7	96107128	Pin, Quick-Tatch.....	2
8	98100312	E-Ring	2
9	96107130	Spring, SS.....	2
10	96110413	Handle, Quick-Release.....	2
11	98100313	Pin, Roll, 1/4" x 1-3/8" SS	2
12	98100300	E-Ring, 1".....	2
13	96106144	Pin, Quick Hitch	2
14	98009085	Pin, Cotter, 5/32" x 1-1/2".....	6
15	98009030	Washer, Flat, 3/4".....	2
16	96111895	Link, Lift, HD	1
17	98100176	Washer, Hardened	7
18	98100010	Cap Screw, Hex, 1/2"-13 x 2".....	1
19	98100062	Cap Screw, Hex, 1/2"-13 x 2-1/4"	1
20	98100290	Pin, Clevis, 3/4" x 62".....	1
21	96107767	Clamp, Cylinder Lock, Gravity Down	1
	96107768	Clamp, Cylinder Lock, Down Pressure	1
22		Clamp, Cylinder Lock, Gravity Down	1
		Clamp, Cylinder Lock, Down Pressure	1
23		Pin, Wire Lock.....	1
24	96106605	Jackstand Assembly, 22/26/32/29 Series	1
25	96107711	Kit, Jackstand Hardware (includes one ea. items 26, 27, 29, 32, two item 31).....	2
26	98009032	Washer, 3/8".....	6
27		Spring, Latch.....	2
28	98100390	Cap Screw, Hex, 1/2"-13 x 1-3/4"	2
29		Pin, Latch	2
30	96105959	Jackstand.....	1
31		Roll Pin, 5/32" x 7/8"	4
32		Cam, Jackstand	2
33	98009013	Nut, Nylock, 1/2"-13	5
34	98100172	Nut, Jam, 1/2"-13	4
35		Bushing	6
	96110394	Kit, Bushing Service (Includes bushings and all mounting hardware)	1
36	96105618	Bellcrank (See page 5, item 34).....	1
37	96106076	Cylinder, Lift, Gravity Down.....	1
	96106077	Cylinder, Lift, Down Pressure.....	1
38	96102168	Spacer, Stand.....	1
39	98100007	Pin, Clevis, 3/4" x 4".....	1
40	98009114	Cap Screw, Hex, 1/2"-13 x 6".....	1
41		Decal, Warning, Pinch Point	2
42		Decal, Patent	1
43	98009027	Cap Screw, Hex, 1/4"-20 x 1".....	1

POWER PACK FRAME - 29T SERIES (continued)



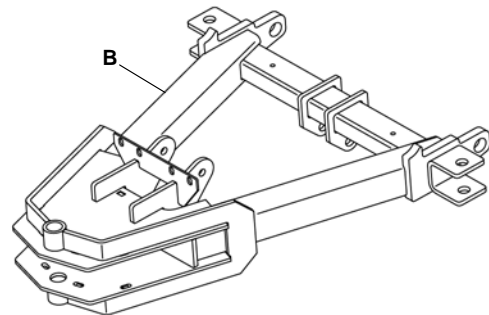
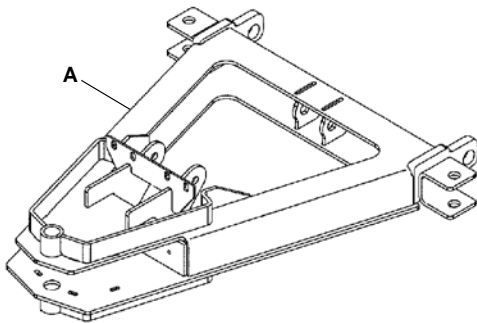
**SWING FRAME AND TRIP SPRING
DETAIL ON P. 15, BLADES - 29T SERIES**

POWER PACK FRAME - 29T SERIES

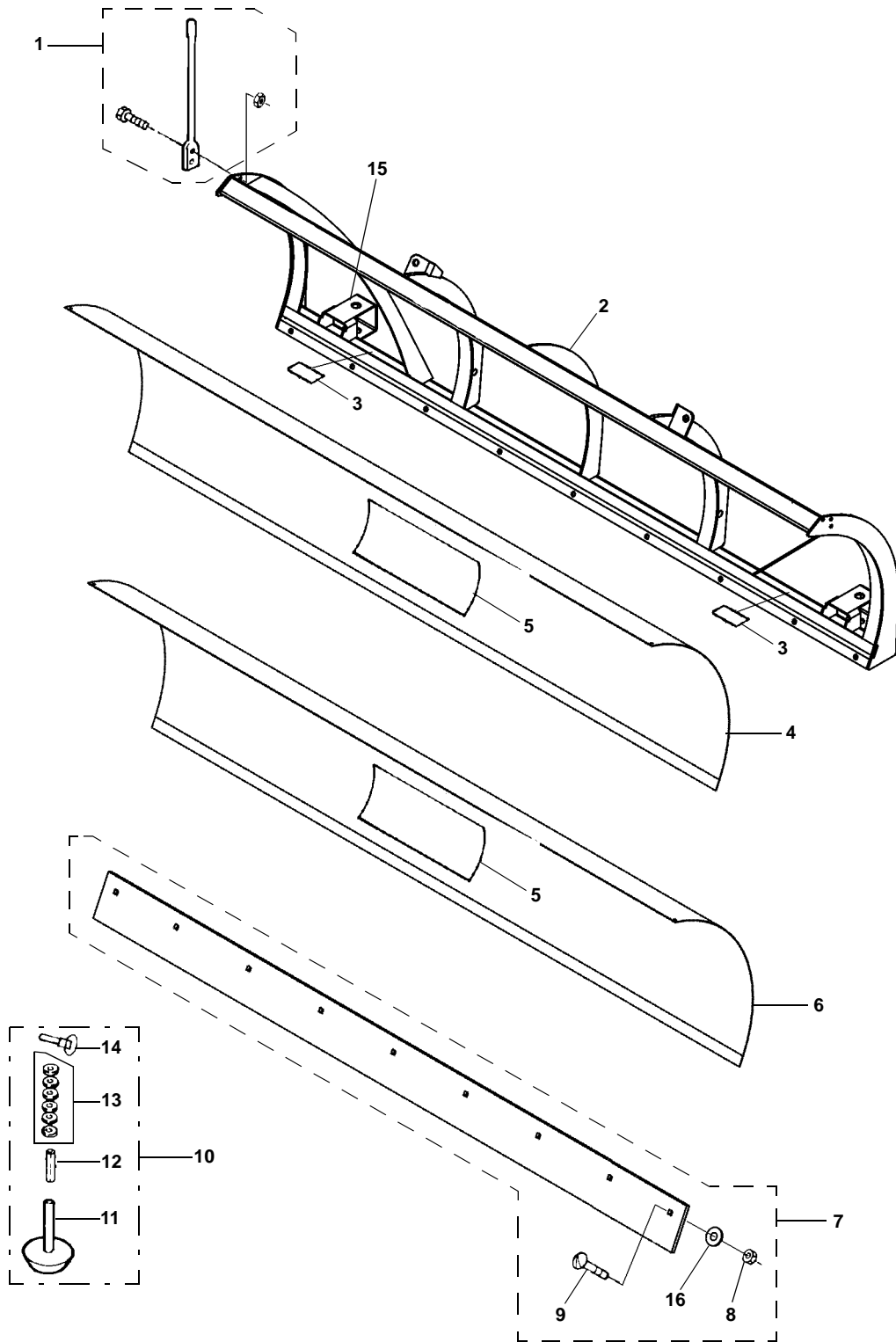
(continued)

ITEM	PART NO.	DESCRIPTION	QTY
44	98009029	Washer, Flat, 1/4".....	1
45	96101891	Clamp, Tube.....	1
46	98100255	Nut, Nylock, 1/4"-20.....	2
47	98009009	Nut, Hex Nylock, 3/8"-16.....	2
48	98100040	Pin, Clevis, 3/4" x 3".....	4
49		Decal, Warning.....	1
50	96110953	Cylinder, Angle, 1-1/2".....	2
51	96112126	A-Frame (See Note).....	1
52	98100006	Cap Screw, Hex, 1"-14 x 7-1/2".....	1
53	96106184	Platform, Pump.....	1
54	98100294	Nut, Hex, 1"-14.....	1
55	98009022	Cap Screw, Hex, 3/8"-16 x 1".....	2
56	98100266	Cap Screw, Hex, 1/4"-20 x 6".....	1
57	98019176	Screw, Flange Head, Self-Tapping, 5/16" x 1".....	4
58	98019230	Washer, Flat, 5/16".....	4
59		Decal, Warning, Cover Removal.....	1
60	96108873	End Cap, 2-1/4".....	2
61	96108874	End Cap, 1".....	2
62	98100264	Cap Screw, Hex, 5/16"-18 x 2-1/4".....	2
63	98009150	Nylock, Hex Head, 5/16"-18.....	2

NOTE: If replacing A-Frame on a Down Pressure unit and the damaged A-Frame looks like image A below, and the replacement A-Frame looks like image B below, a 96104953 and 96100003 must also be purchased and installed. See the Hydraulic System section for installation reference.



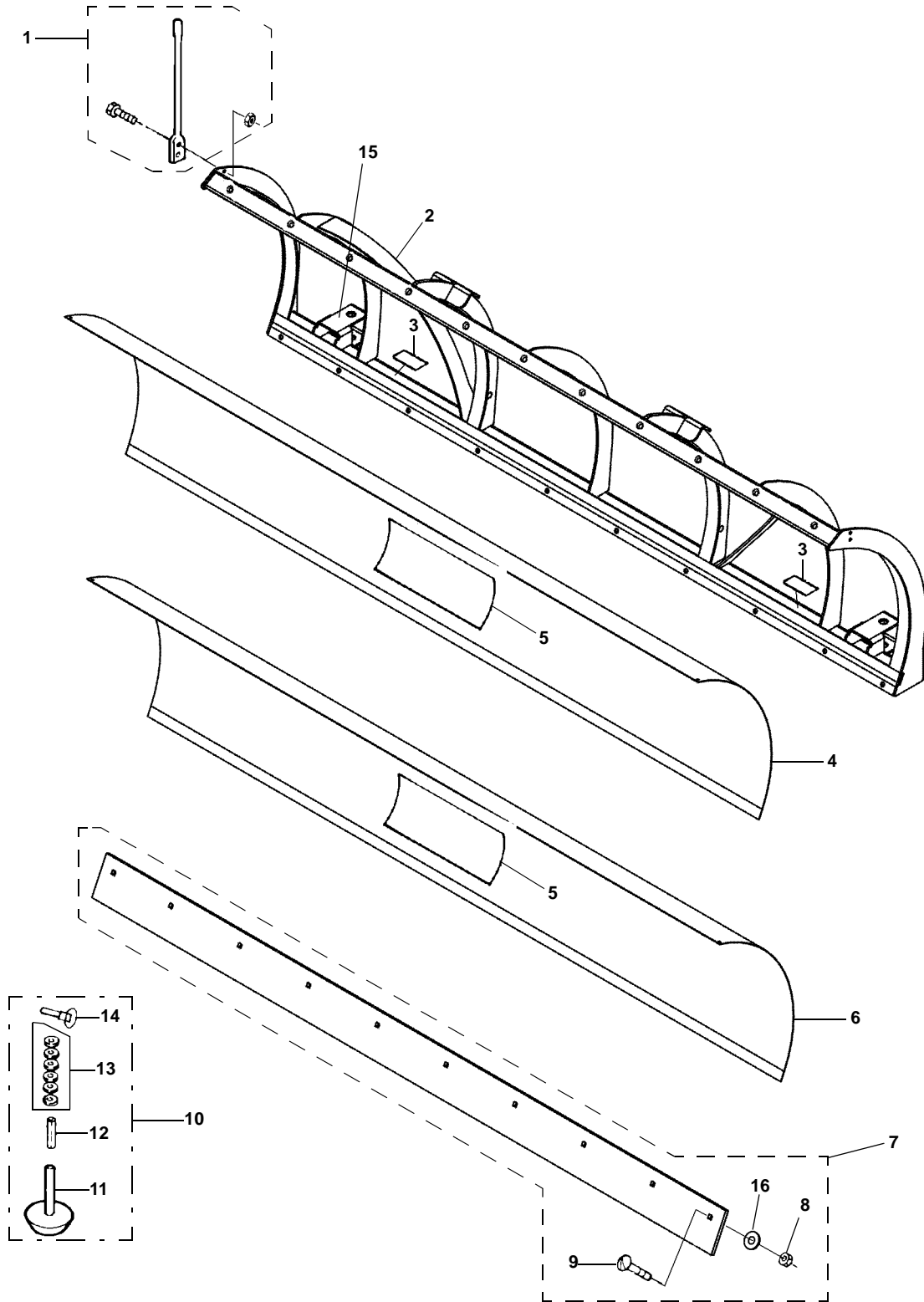
BLADES - 29 SERIES



BLADES - 29 SERIES

ITEM	PART NO.	DESCRIPTION	QTY
1	96112352	Kit, Guide, Blade (includes two Guides and Mounting Hardware).....	1
2		Frame, 90"	1
		Frame, 96"	1
3		Decal, Warning	2
4	96106663	Kit, Skin, Polycarbonate, 90" (includes "Sno-Way" Decal)	1
	96106664	Kit, Skin, Polycarbonate, 96" (includes "Sno-Way" Decal)	1
5	97100879	Decal, Sno-Way	1
6	96106665	Blade Skin, Steel, 90" (includes "Sno-Way" Decal)	1
	96106666	Blade Skin, Steel, 96" (includes "Sno-Way" Decal)	1
	96106667	Blade Skin, SS, 96" (includes "Sno-Way" Decal)	1
	96107332	Blade Skin, SS, 90" (includes "Sno-Way" Decal).....	1
7	96112726	Kit, Wearstrip, Steel, 90", 3/8".....	1
	96113054	Kit, Wearstrip, Steel, 90", 1/2" (Optional Accessory)	1
	96112727	Kit, Wearstrip, Steel, 96", 3/8".....	1
	96113055	Kit, Wearstrip, Steel, 96", 1/2" (Optional Accessory)	1
8	98009013	Nut, Hex., Nylock, 1/2" - 13	9
9	98009099	Bolt, Carriage, 1/2"-13 x 2"	9
10	96102542	Assembly, Shoe	2
11		Shoe, Cast, 1" Shaft	1
12		Spacer, 1"	1
13	98009005	Washer, Flat, 1"	13
14	98100538	Pin, Lynch, 5/16" x 1-5/8".....	1
15	96106375	Bracket, Shoe, 29, 26	2
16	98100176	PW, 1/2", Hardened	9

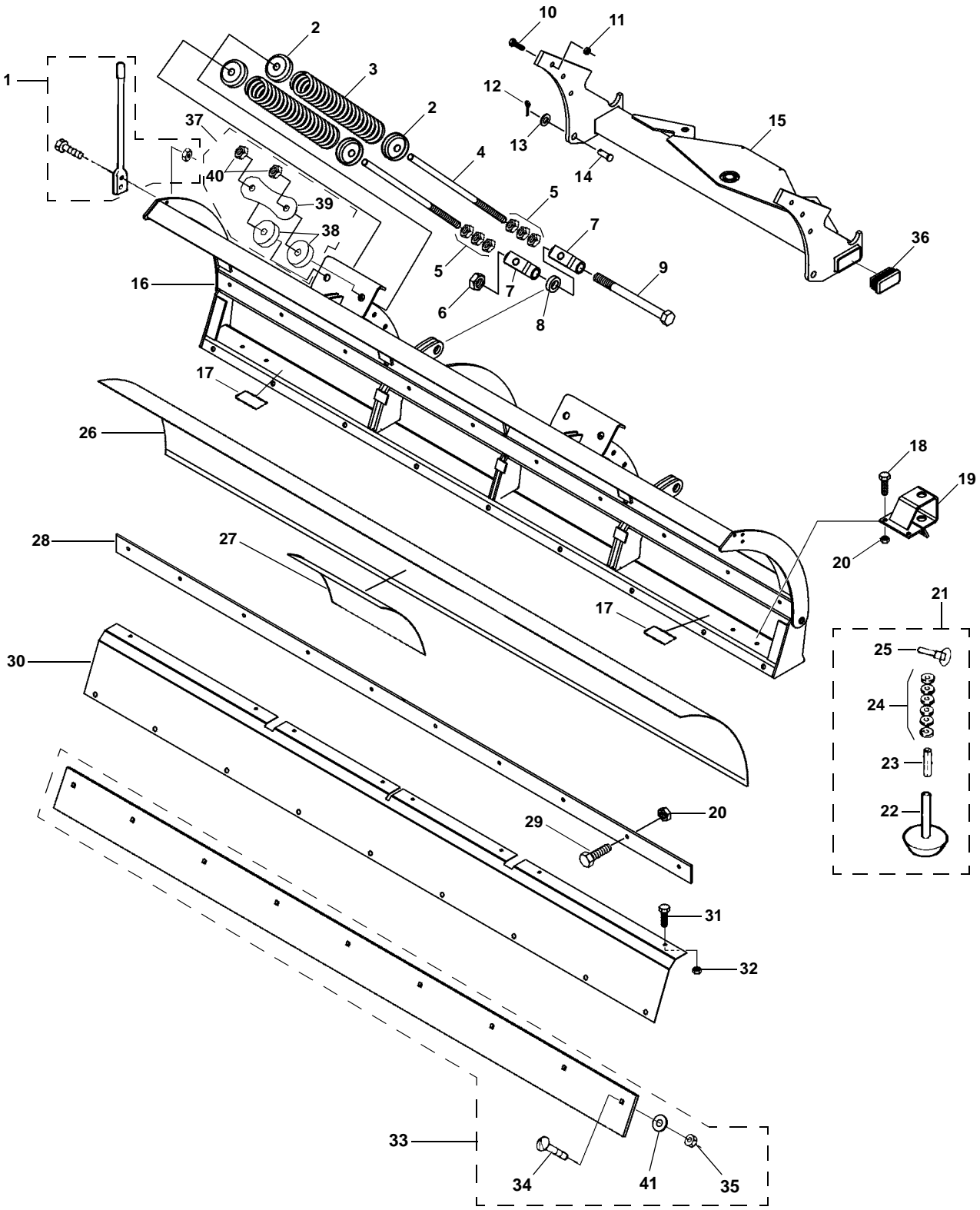
BLADES - 32 SERIES



BLADES - 32 SERIES

ITEM	PART NO.	DESCRIPTION	QTY
1	96112352	Kit, Guide, Blade (includes two Guides and Mounting Hardware).....	1
2		Frame, 102"	1
		Frame, 108"	1
		Frame, 120"	1
3		Decal, Warning	2
4	96106356	Kit, Skin, Polycarbonate, 102" (includes "Sno-Way" Decal)	1
	96106357	Kit, Skin, Polycarbonate, 108" (includes "Sno-Way" Decal)	1
	96106358	Kit, Skin, Polycarbonate, 120" (includes "Sno-Way" Decal)	1
5	97100879	Decal, Sno-Way.....	1
6	96106353	Blade Skin, Steel, 102" (includes "Sno-Way" Decal)	1
	96106354	Blade Skin, Steel, 108" (includes "Sno-Way" Decal)	1
	96106355	Blade Skin, Steel, 120" (includes "Sno-Way" Decal)	1
	96106670	Blade Skin, SS, 102" (includes "Sno-Way" Decal).....	1
	96106671	Blade Skin, SS, 108" (includes "Sno-Way" Decal).....	1
	96106672	Blade Skin, SS, 120" (includes "Sno-Way" Decal).....	1
7	96112728	Kit, Wearstrip, Steel, 102"	1
	96106308	Kit, Wearstrip, Steel, 108"	1
	96106309	Kit, Wearstrip, Steel, 120"	1
8	98009013	Nut, Hex., Nylock, 1/2" - 13.....	11
9	98009099	Bolt, Carriage, 1/2"-13 x 2"	11
10	96102542	Assembly, Shoe	2
11		Shoe, Cast, 1" Shaft	1
12		Spacer, 1"	1
13	98009005	Washer, Flat, 1"	13
14	98100538	Pin, Lynch, 5/16" x 1-5/8".....	1
15	96105410	Bracket, Shoe, 32	2
16	98100176	PW, 1/2", Hardened (Used In 96112728 Only)	11

BLADES - 29T SERIES

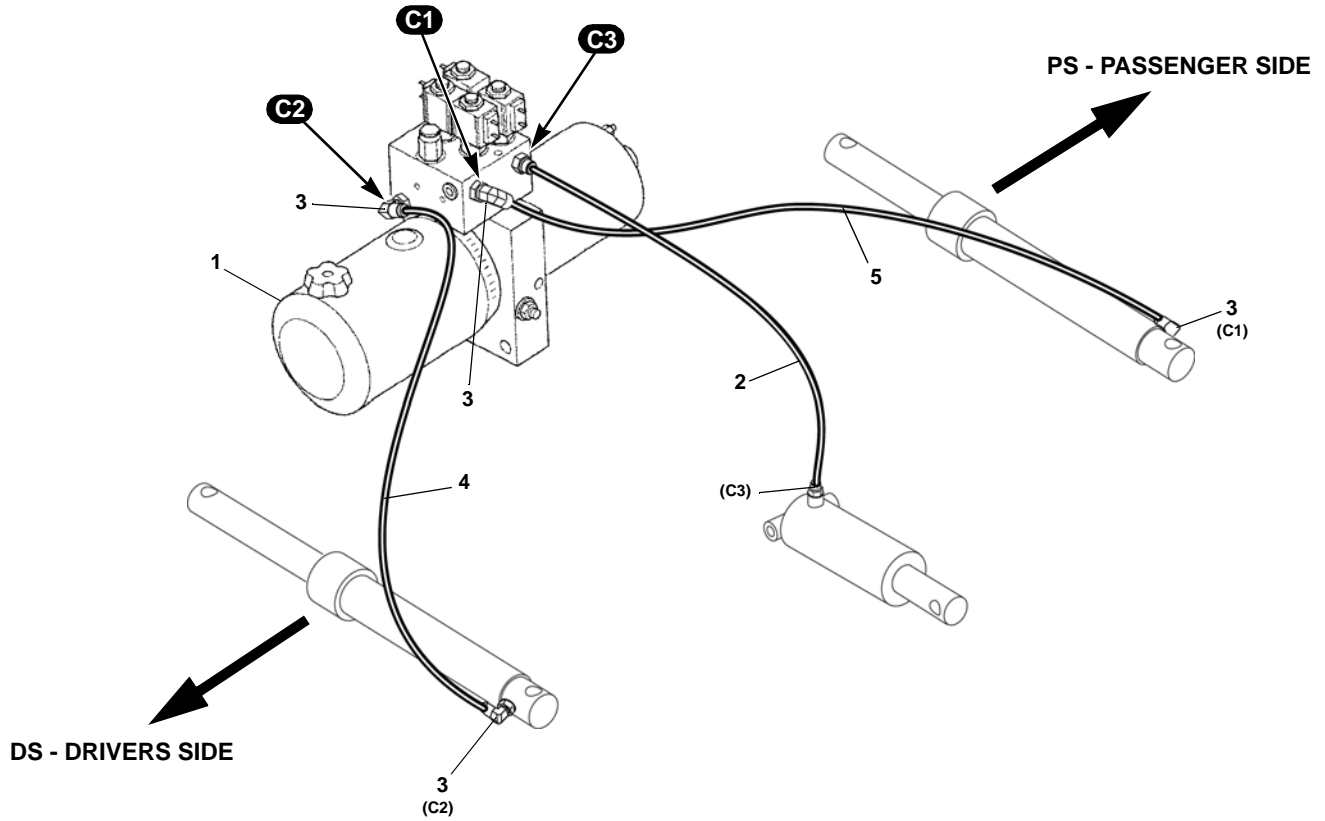


BLADES - 29T SERIES

ITEM	PART NO.	DESCRIPTION	QTY
1	96112352	Kit, Guide, Blade (includes two Guides and Mounting Hardware).....	1
2	96107374	Cup, Formed Out.....	8
3	96107208	Spring, Trip	4
4	96107673	Spring Rod, Threaded	4
5	98009075	Nut, Hex, 3/4"-12	12
6	98009053	Nut, Nylock, 1"-8.....	2
7	96107365	Assembly, Saddle	4
8	96107221	Bushing, Shock.....	2
9	98100319	Cap Screw, Hex, 1"-12 x 11-1/2"	2
10	98100095	Cap Screw, Hex, 1/2"-13 x 1-3/4"	6
11	98009013	Nut, Nylock, 1/2"-13.....	6
12	98009085	Pin, Cotter, 5/32" x 1-1/2"	2
13	98009030	Washer, Flat, 3/4"	2
14	98100165	Pin, Clevis, 3/4" x 2-1/2"	2
15	96107106	Frame, Swing	1
16		Frame, 90"	1
		Frame, 96"	1
17		Decal, Warning	2
18	98009034	Cap Screw, Hex, 3/8"-16 x 1-1/4"	8
19	96107434	Assembly, Shoe Bracket.....	2
20	98009009	Nut, Nylock, 3/8"-16.....	18
21	96102542	Assembly, Shoe	2
22		Shoe, Cast, 1" Shaft	1
23		Spacer, 1"	1
24	98009005	Washer, Flat, 1"	13
25	98100538	Pin, Lynch, 5/16" x 1-5/8".....	1
26	96107935	Blade Skin, Upper, Polycarbonate, 90" (includes "Sno-Way" Decal).....	1
	96107938	Blade Skin, Upper, Polycarbonate, 96" (includes "Sno-Way" Decal).....	1
	96107936	Blade Skin, Upper, Steel, 90" (includes "Sno-Way" Decal).....	1
	96107939	Blade Skin, Upper, Steel, 96" (includes "Sno-Way" Decal).....	1
	96107937	Blade Skin, Upper, SS, 90" (includes "Sno-Way" Decal)	1
	96107940	Blade Skin, Upper, SS, 96" (includes "Sno-Way" Decal)	1
27	97100879	Decal, Sno-Way.....	1
28	96107950	Retainer, Upper Skin, 90"	1
	96107951	Retainer, Upper Skin, 96"	1
29	98009022	Cap Screw, Hex Head, 3/8"-16 x 1".....	10
30	96107503	Skin, Lower, 90"	1
	96107132	Skin, Lower, 96"	1
31	98100263	Cap Screw, Hex, 5/16"-18 x 3/4"	8
32	98009150	Nut, Nylock, 5/16"-18.....	8
33	96112726	Kit, Wearstrip, Steel, 90", 3/8".....	1
	96113054	Kit, Wearstrip, Steel, 90", 1/2" (Optional Accessory)	1
	96112727	Kit, Wearstrip, Steel, 96", 3/8".....	1
	96113055	Kit, Wearstrip, Steel, 96", 1/2" (Optional Accessory)	1
34	98009099	Bolt, Carriage, 1/2"-13 x 2"	9
35	98009013	Nut, Nylock, 1/2"-13.....	9
36	96108876	End Cap, 2" x 4"	2
37	96108499	Kit, Shock Absorber (includes two item 39 and four Items 38 and 40).....	1
38	96108497	Stop, TEB	4
39	96108498	Plate, Bumper, TEB.....	2
40	98009003	Nut, Nylock, 3/4"-10.....	4
41	98100176	PW, 1/2", Hardened.....	9

HYDRAULIC SYSTEM GRAVITY DOWN - 29, 32

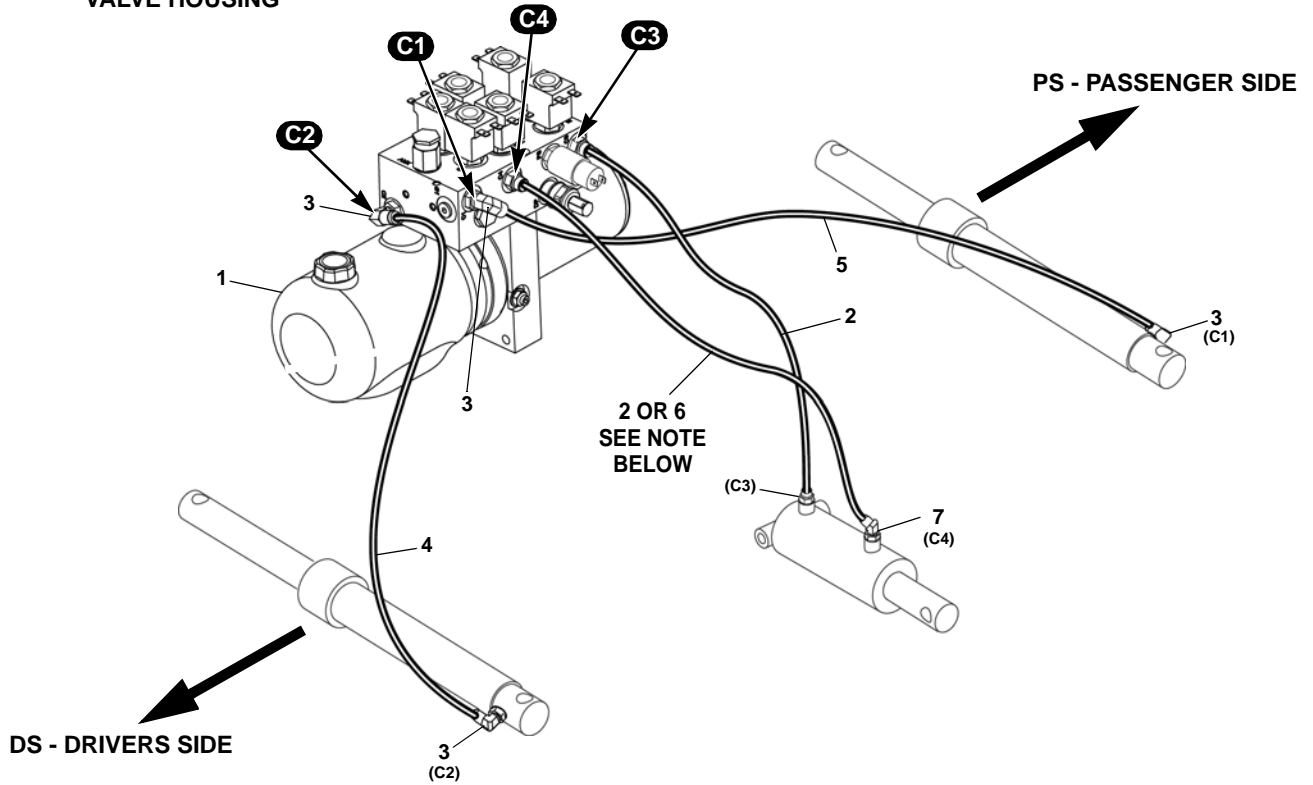
C# DENOTES PORT IN VALVE HOUSING



ITEM	PART NO.	DESCRIPTION	QTY
1		Power Unit, Gravity Down (see page 19 for parts breakdown)	1
2	96106069	Hose, Hydraulic, 18-3/4"	1
3	96100001	Fitting, Elbow, 90°	4
4	96113791	Hose, Hydraulic, 27-1/2"	1
5	96106071	Hose, Hydraulic, 32"	1

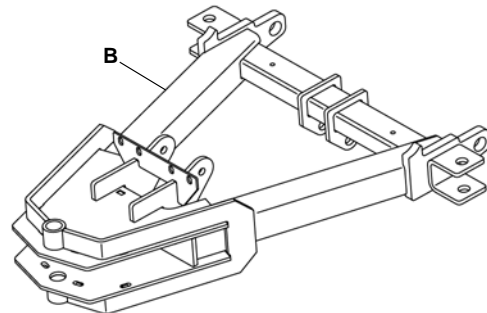
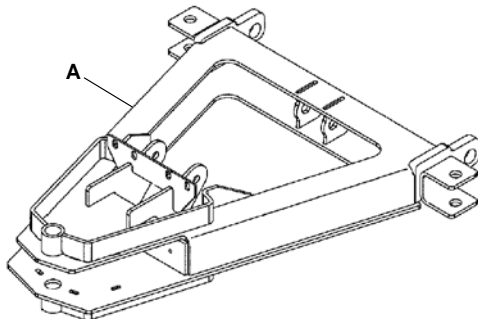
HYDRAULIC SYSTEM DOWN PRESSURE - 29, 29T, 32

C# DENOTES PORT IN VALVE HOUSING

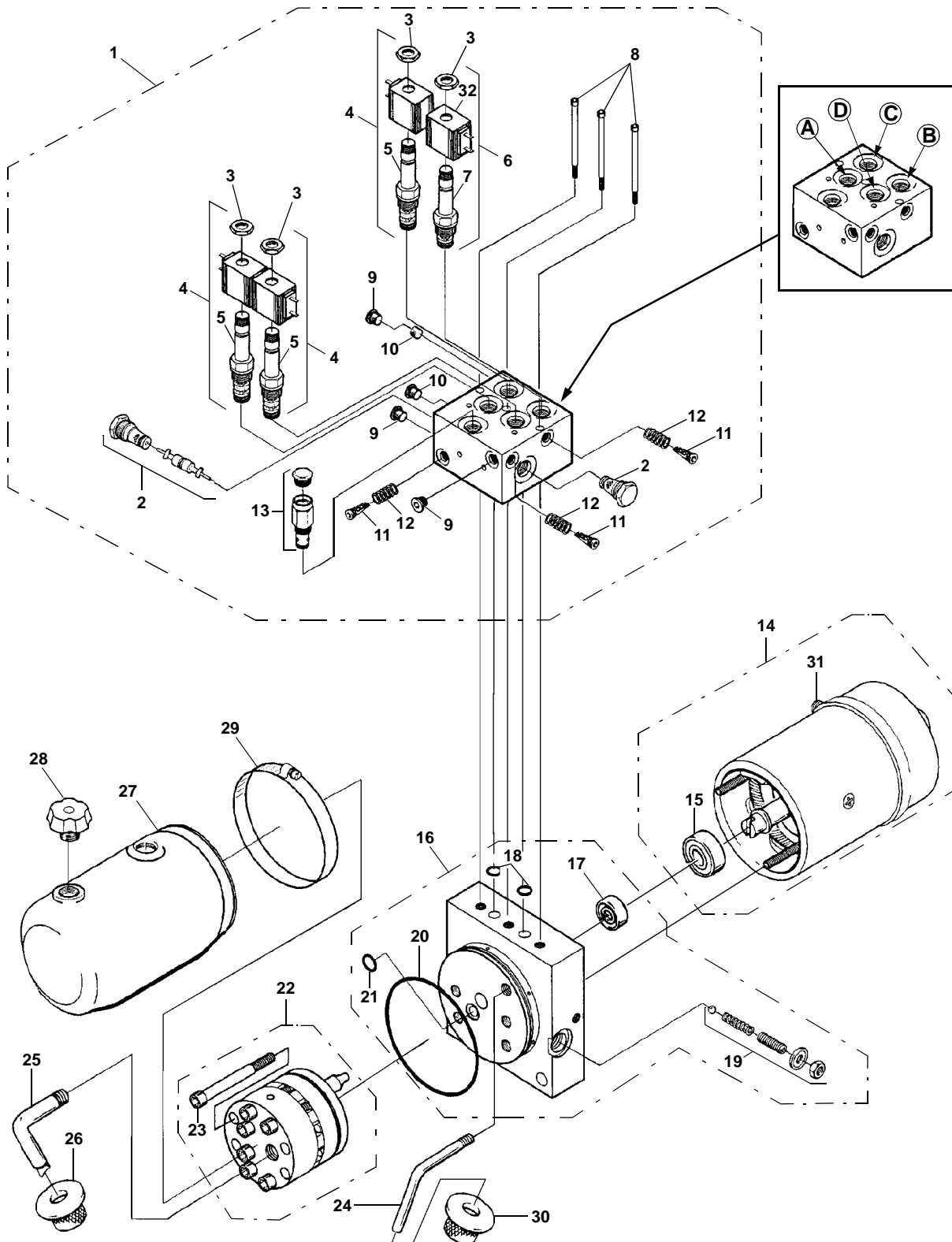


ITEM	PART NO.	DESCRIPTION	QTY
1		Power Unit, DP (see page 21 for parts breakdown)	1
2	96106069	Hose, Hydraulic, 18-3/4" (See Note below)	2
3	96100001	Fitting, Elbow, 90°	4
4	96113791	Hose, Hydraulic, 27-1/2"	1
5	96106071	Hose, Hydraulic, 32"	1
6	96104953	Hose, Hydraulic, 18" (See Note below)	1
7	96100003	Fitting, Elbow, 45° (See Note below)	1

NOTE: If the A-Frame looks like image A below, the Hydraulic System requires item 2. If the A-Frame looks like image B below, the Hydraulic System requires items 6 & 7.



HYDRAULIC POWER UNIT GRAVITY DOWN SYSTEM - 29, 32

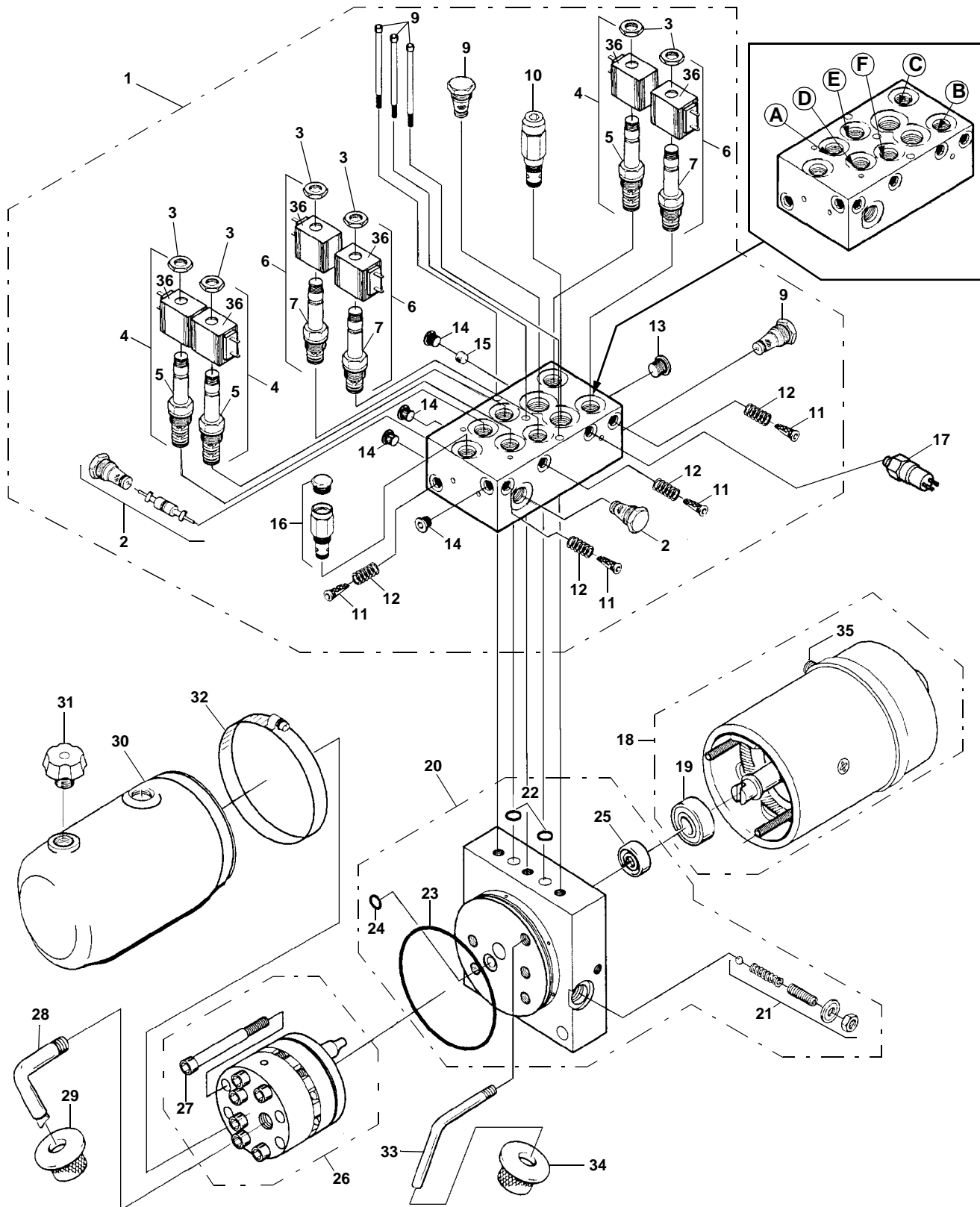


HYDRAULIC POWER UNIT GRAVITY DOWN SYSTEM - 29, 32

ITEM	PART NO.	DESCRIPTION	QTY
1		Valve Assembly	1
2	96112948	Valve, Check	1
3	96105275	Nut, Coil Retaining	4
4		Valve, 10V DC (Red Coil) - Use part 96112584	3
	96112584	Valve, 3-Way, 10V DC (Black Coil).....	3
5		Cartridge (Red Coil) - Use part 96112584	3
	96108324	Cartridge, 3-Way (Black Coil).....	3
6		Valve, 10V DC (Red Coil) - Use part 96112583	1
	96112583	Valve, 2-Way, 10V DC (Blue Coil)	1
7		Cartridge (Red Coil) - Use part 96112583.....	1
	96108325	Cartridge (Blue Coil).....	1
8	96105237	Screw	3
9	96105234	Fitting, Plug	4
10	96106102	Fitting, Orifice	1
	96108627	Kit, Orifice (to adjust drop rate)	1
11	96105250	Screen, Inline	3
12	96105251	Spring, Retaining.....	3
13	96106417	Valve, Relief, Crossover, (2400 psi)	1
14	96105233	Motor, 12V DC.....	1
15		Bearing, Motor Base.....	1
16		Base Assembly, Pump	1
17	96105317	Seal, Shaft.....	1
18	96105314	O-Ring.....	2
19	96105313	Kit, System Relief Valve	1
20	96105315	O-Ring.....	1
21	96105316	O-Ring.....	1
22	96105735	Pump Assembly	1
23		Screw, Socket Head Cap	4
24	96105249	Tube, Return (For S.N. Between 29HDG100048 - 29HDG100074)	1
	96114440	Tube, Return, 45°, 3/8" NPT (For S.N. 29HDG100075 and After)	1
25	96105246	Tube, Suction	1
26	96105245	Filter, Suction.....	1
27	96105241	Reservoir	1
28	96105244	Filler Cap.....	1
29	96105231	Clamp.....	1
30	96105318	Filter, Return (For S.N. Between 29HDG100048 - 29HDG100074).....	1
	96105245	Filter, Return (For SN 29HDG100075 and After)	1
31	96105312	Brush, Replacement Kit.....	1
32	96111171	Coil, 10V DC.....	1

HYDRAULIC POWER UNIT DOWN PRESSURE SYSTEM - 29, 29T, 32

With S.N. Before :29D102300, 29TD100400, 32D102800

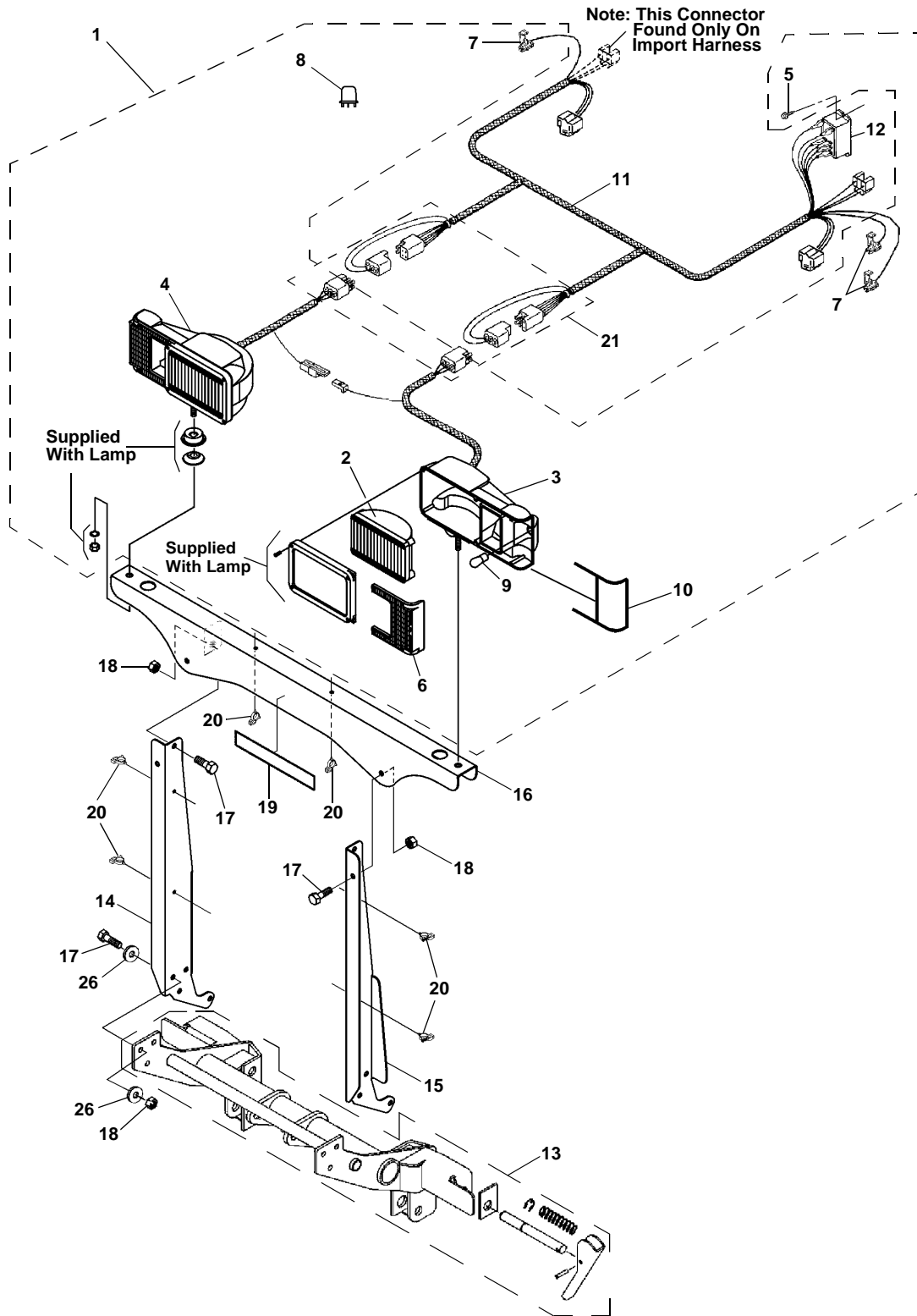


**HYDRAULIC POWER UNIT
DOWN PRESSURE SYSTEM - 29, 29T, 32
With S.N. Before :29D102300, 29TD100400, 32D102800**

ITEM	PART NO.	DESCRIPTION	QTY
1		Valve Assembly	1
2	96112948	Valve, Check.....	1
3	96105275	Nut, Coil Retaining.....	6
4		Valve, 10V DC (Red Coil) - Use part 96112584.....	3
	96112584	Valve, 3-Way, 10V DC (Black Coil).....	3
5		Cartridge (Red Coil) - Use part 96112584	3
	96108324	Cartridge, 3-Way (Black Coil)	36
6		Valve, 10V DC (Red Coil) - Use part 96112583.....	3
	96112583	Valve, 2-Way, 10V DC (Blue Coil).....	3
7		Cartridge (Red Coil) - Use part 96112583	3
	96108325	Cartridge, 2-Way (Blue Coil).....	3
8	96105237	Screw.....	3
9	96105238	Valve, Check.....	2
10	96105239	Valve, Relief, Down Pressure (680-720 psi)	1
11	96105250	Screen, Inline.....	4
12	96105251	Spring, Retaining	4
13	96105240	Fitting, Plug.....	2
14	96105234	Fitting, Plug.....	4
15	96105255	Fitting, Orifice (to adjust drop rate)	1
	96108627	Kit, Orifice	1
16	96106417	Valve, Relief, Crossover (2400 psi)	1
17	96100311	Switch, Pressure (525 psi).....	1
18	96105233	Motor, 12V DC	1
19		Bearing, Motor Base.....	1
20		Base Assembly, Pump.....	1
21	96105313	Kit, System Relief Valve.....	1
22	96105314	O-Ring	2
23	96105315	O-Ring	1
24	96105316	O-Ring	1
25	96105317	Seal, Shaft	1
26	96105735	Pump Assembly.....	1
27		Screw, Socket Head Cap.....	4
28	96105246	Tube, Suction.....	1
29	96105245	Filter.....	1
30	96105241	Reservoir	1
31	96105244	Filler Cap	1
32	96105231	Clamp	1
33	96105249	Tube, Return.....	1
34	96105318	Filter, Return	1
35	96105312	Brush Replacement Kit.....	2
36	96111171	Coil, 10V DC.....	3

AUXILIARY LIGHTS

S.N.: 32D100000 - 102149, 32G100000 - 100299,
32C100000 - 100049

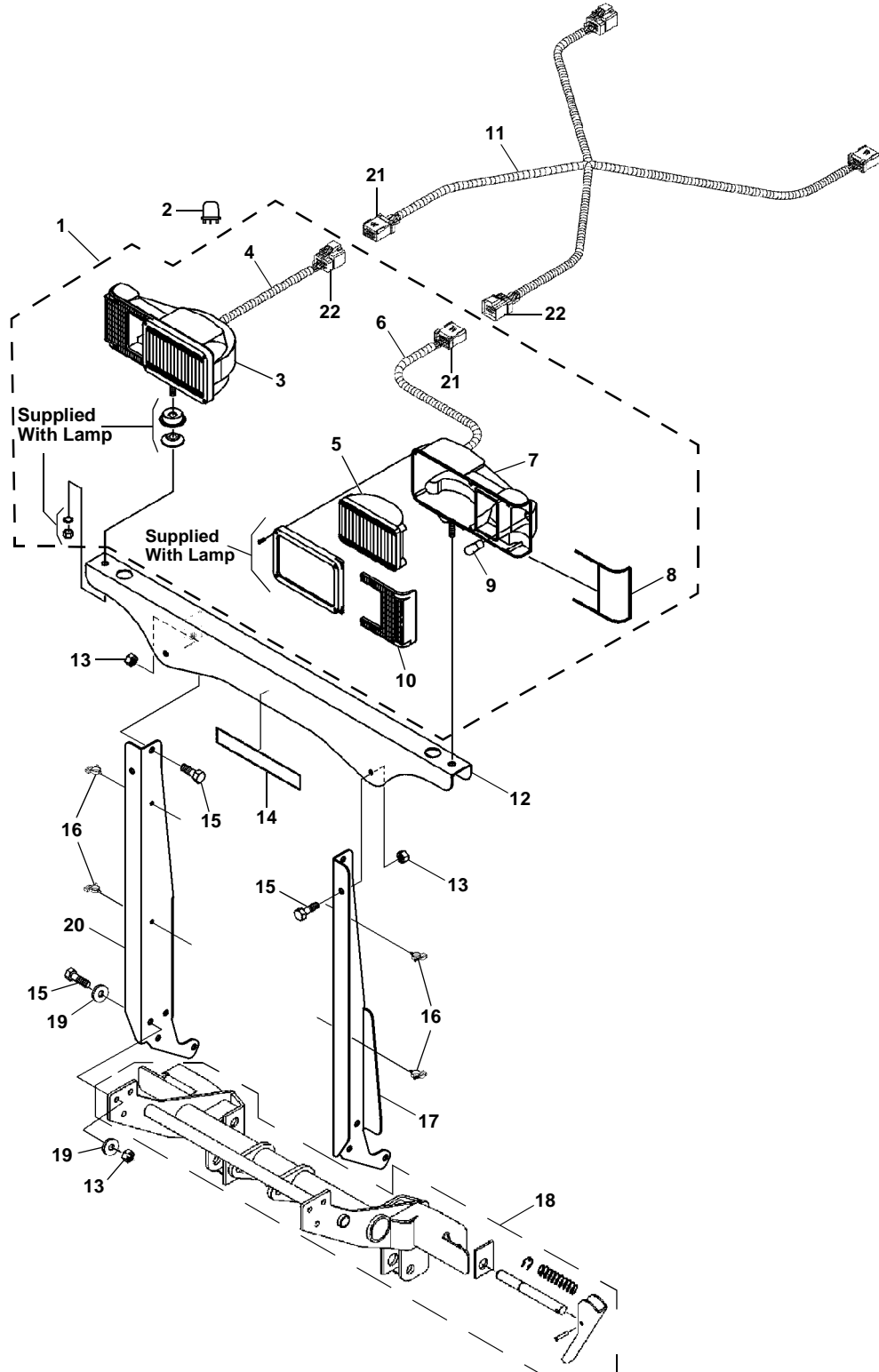


AUXILIARY LIGHTS
S.N.: 32D100000 - 102149, 32G100000 - 100299,
32C100000 - 100049

ITEM	PART NO.	DESCRIPTION	QTY
1	96106606	Kit, Lamp	1
2	96100514	Lamp, Sealed Beam	2
3	96106690	Light, Assembly, LH	1
4	96106691	Light, Assembly, RH	1
5	98100037	Screw, Self Tapping #10-16 x 1"	2
6	96106692	Lens, Turn Signal	2
7	96002039	Scotch Lock™ Connector	3
8	96003010	Flasher	1
9	96003060	Lamp, Park & Turn	2
10	96106693	Gasket, Turn Signal	2
11	99100196	Harness, Wiring, Standard	1
	99100197	Harness, Wiring, Import	1
12	96101536	Relay, DPDT	1
13	96107400	Assembly, Light/Lift Bar, Quick-Attach	1
14	96108629	Support, RH, 32 Series	1
	96108631	Support, RH, 29 Series	1
15	96108628	Support, LH, 32 Series	1
	96108630	Support, LH, 29 Series	1
16	96108030	Light Bar Assembly	1
17	98009022	Capscrew, Hex., 3/8"-16 x 1"	10
18	98009009	Nut, Hex., Nylock, 3/8"-16	10
19	97100882	Decal, Sno-Way	1
20	96100440	Clip, Rosebud	4
21	96102116	Kit, Plug Repair	1
22		Connector, Male End	2
23		Connector, Female End	2
24		Connector, Butt	24
25		Tube, Shrink	24
26	98009032	Washer, Flat, 3/8"	6

AUXILIARY LIGHTS

With S.N. Between: 32D102150-200054, 32G100300-100400,
32C100050-100100, 29D100000-102300, 29G100000-200006,
29TD100000-100400, 29TG100000-100100



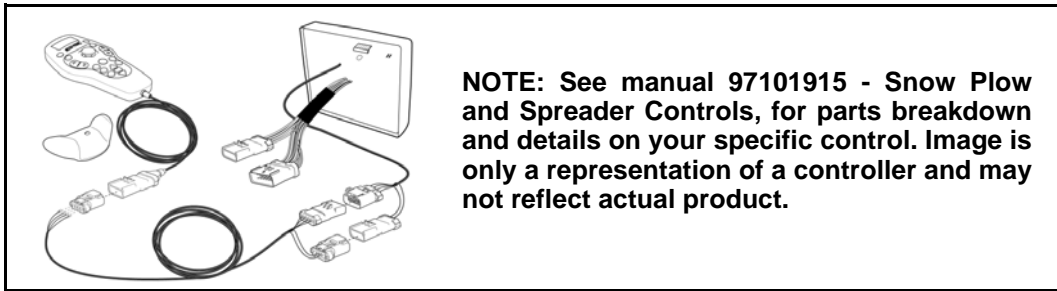
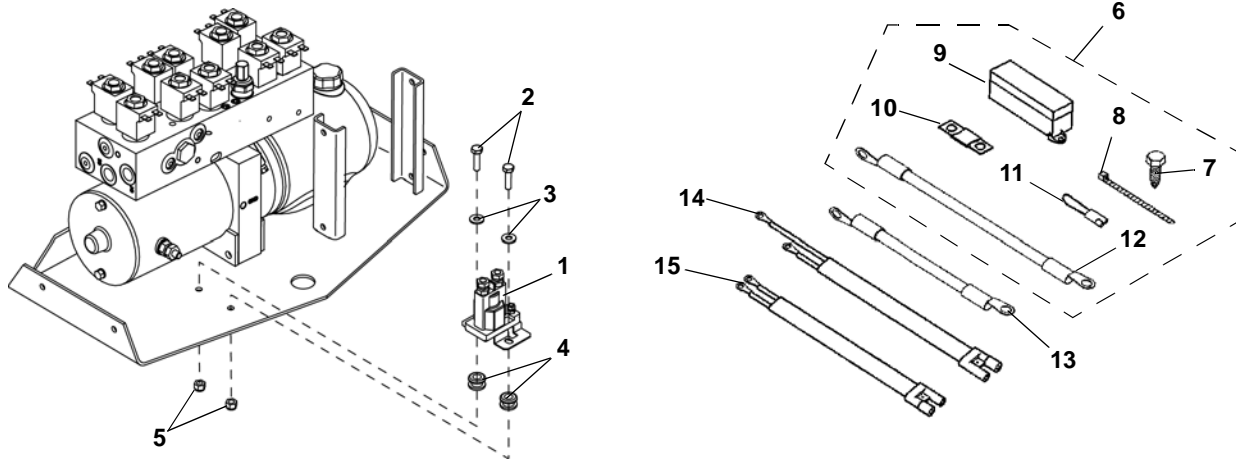
AUXILIARY LIGHTS

**With S.N. Between: 32D102150-200054, 32G100300-100400,
32C100050-100100, 29D100000-102300, 29G100000-200006,
29TD100000-100400, 29TG100000-100100**

ITEM	PART NO.	DESCRIPTION	QTY
1	96107893	Kit, Lamp, EIS.....	1
2	96003010	Flasher (Sold separately from Lamp Kit - item 1)	1
3	96107984	Light, Assembly, RH, EIS.....	1
4		Harness, Plow Light, RH, EIS (Use Item 23 For Replacement)	1
5	96100514	Lamp, Sealed Beam	2
6		Harness, Plow Light, LH, EIS (Use Item 23 For Replacement)	1
7	96107983	Light, Assembly, LH, EIS	1
8		Gasket, Turn Signal	2
9	96003060	Lamp, Park & Turn.....	2
10		Lens, Turn Signal.....	2
11	96107894	Harness, Main Light, EIS*	1
12	96108030	Light Bar Assembly.....	1
13	98009009	Nut, Hex., Nylock, 3/8"-16	12
14	97100882	Decal, Sno-Way	1
15	98009022	Capscrew, Hex., 3/8"-16 x 1"	12
16	96100440	Clip, Rosebud	4
17	96108628	Support, LH, 32 Series	1
	96108630	Support, LH, 29 Series	1
18	96107400	Assembly, Light/Lift Bar, Quick-Attach	1
19	98009032	Washer, Flat, 3/8"	8
20	96108629	Support, RH, 32 Series.....	1
	96108631	Support, RH, 29 Series.....	1
21	96108116	Connector, Male.....	2
22	96108117	Connector, Female	2
23	96110119	Kit, Conversion, Std Lights To EIS (Includes #4, 6, 21, 22)	1

* NOTE: Adapter required. See Application Guide

POWER PACK WIRING



NOTE: See manual 97101915 - Snow Plow and Spreader Controls, for parts breakdown and details on your specific control. Image is only a representation of a controller and may not reflect actual product.

ITEM	PART NO.	DESCRIPTION	QTY
1	96002086	Switch, Solenoid (Platform Mounted)	1
2	98009027	Capscrew, Hex, 1/4"-20 x 1"	2
3	98100254	Washer, Flat, 1/4"	2
4	96105282	Grommet, 3/8" ID	2
5	98100255	Nut, Hex Head Nylock, 1/4"-20	2
6	96105167	Bag Power Harness Parts	1
7	98100037	Screw, Self Tapping, #10-16 x 1"	2
8	96001227	Strap, Tie Plastic	2
9	96109143	Fuse Holder	1
10	96109142	Fuse, 250 Amp	1
11	96105082	Cap, Protective	2
12	96102891	Cable, Power	1
13	96105273	Harness, Solenoid - HT Series	1
14	96104230	Harness, Plow Power	1
15	96104221	Harness, Battery Power	1

NUMERICAL INDEX

PART NO.	PAGE	ITEM	PART NO.	PAGE	ITEM	PART NO.	PAGE	ITEM
96001227	27	8		22	30		8	37
96001392	6	65	96105244	20	28	96106077	4	35
96002039	24	7		22	31		8	37
96002086	27	1	96105245	20	26	96106102	20	10
96003010	24	8		20	30	96106144	4	17
	26	2		22	29		8	13
96003060	24	9	96105246	20	25	96106184	6	66
	26	9		22	28		10	53
96100001	17	3	96105249	20	24	96106308	14	7
	18	3		22	33	96106309	14	7
96100003	18	7	96105250	20	11	96106353	14	6
96100311	22	17		22	11	96106354	14	6
96100440	24	20	96105251	20	12	96106355	14	6
	26	16		22	12	96106356	14	4
96100514	24	2	96105255	22	15	96106357	14	4
	26	5	96105273	27	13	96106358	14	4
96101536	24	12	96105275	20	3	96106375	12	15
96101891	6	50		22	3	96106417	20	13
	10	45	96105282	27	4		22	16
96102116	24	21	96105312	20	31	96106605	4	40
96102168	4	33		22	35		8	24
	8	38	96105313	20	19	96106606	24	1
96102542	12	10		22	21	96106663	12	4
	14	10	96105314	20	18	96106664	12	4
	16	21		22	22	96106665	12	6
96102891	27	12	96105315	20	20	96106666	12	6
96104221	27	15		22	23	96106667	12	6
96104230	27	14	96105316	20	21	96106670	14	6
96104953	18	6		22	24	96106671	14	6
96105046	4	10	96105317	20	17	96106672	14	6
96105082	27	11		22	25	96106690	24	3
96105167	27	6	96105318	20	30	96106691	24	4
96105231	20	29		22	34	96106692	24	6
	22	32	96105410	14	15	96106693	24	10
96105233	20	14	96105457	6	61	96107106	16	15
	22	18		4	34	96107125	4	5
96105234	20	9	96105618	8	36		8	4
	22	14		8	36	96107128	4	12
96105237	20	8	96105735	20	22		8	7
	22	8		22	26	96107130	4	14
96105238	22	9	96105959	6	47		8	9
96105239	22	10		8	30	96107132	16	30
96105240	22	13	96106069	17	2			
96105241	20	27		18	2			
			96106071	17	5			
				18	5			
			96106076	4	35			

NUMERICAL INDEX

PART NO.	PAGE	ITEM	PART NO.	PAGE	ITEM	PART NO.	PAGE	ITEM
96107208	16	3	96108498	16	39	96112728	14	7
96107221	16	8	96108499	16	37	96112948	20	2
96107329	4	11	96108627	20	10		22	2
	8	6		22	15	96113054	12	7
96107332	12	6	96108628	24	15		16	33
96107365	16	7		26	17	96113055	12	7
96107374	16	2	96108629	24	14		16	33
96107396	6	60		26	20	96113427	4	1
96107400	4	5	96108630	24	15		8	1
	8	4		26	17	96113791	17	4
	24	13	96108631	24	14		18	4
	26	18		26	20	96114440	20	24
96107434	16	19	96108873	4	8	96114511	4	1
96107503	16	30		10	60		8	1
96107673	16	4	96108874	4	7	97100400	4	6
96107711	6	41		10	61	97100879	12	5
	8	25	96108876	6	58		14	5
96107767	4	30		16	36		16	27
	8	21	96109142	27	10	97100882	24	19
96107768	4	30	96109143	27	9		26	14
	8	21	96109981	6	60	98009003	16	40
96107893	26	1	96110119	26	23	98009005	12	13
96107894	26	11	96110394	4	26		14	13
96107935	16	26		8	35		16	24
96107936	16	26	96110413	4	15	98009009	6	53
96107937	16	26		8	10		10	47
96107938	16	26	96110953	6	55		16	20
96107939	16	26		10	50		24	18
96107940	16	26	96111171	20	32		26	13
96107950	16	28		22	36	98009013	4	23
96107951	16	28	96111895	4	21		8	33
96107983	26	7		8	16		12	8
96107984	26	3	96112126	6	56		14	8
96108030	24	16		8	16		16	11
	26	12		10	51	98009022	16	35
96108116	26	21	96112352	12	1		6	68
96108117	26	22		10	1		10	55
96108324	20	5		14	1		16	29
	22	5	96112583	16	1		24	17
96108325	20	7		20	6		26	15
	22	7		22	6	98009027	6	48
96108497	16	38	96112584	20	4		10	43
				22	4		27	2
			96112726	12	7	98009029	6	49
				16	33		10	44
			96112727	12	7	98009030	4	20
				16	33		4	27
							8	15

NUMERICAL INDEX

PART NO.	PAGE	ITEM	PART NO.	PAGE	ITEM	PART NO.	PAGE	ITEM
	16	13		16	41			
98009032	6	42	98100254	27	3			
	8	26	98100255	6	51			
	24	26		10	46			
	26	19		27	5			
98009034	16	18	98100263	16	31			
98009037	6	64	98100264	6	72			
98009053	16	6		10	62			
98009075	16	5	98100266	6	69			
98009078	6	63		10	56			
98009085	4	19	98100290	4	29			
	8	14		8	20			
	16	12	98100294	6	67			
98009099	12	9		10	54			
	14	9	98100300	4	18			
	16	34		8	12			
98009114	4	37	98100312	4	13			
	8	40		8	8			
98009134	6	59	98100313	4	16			
98009150	6	73		8	11			
	10	63	98100315	6	62			
	16	32	98100319	16	9			
98009169	4	9	98100390	4	24			
98019176	6	70		8	28			
	10	57	98100538	12	14			
98019230	6	71		14	14			
	10	58		16	25			
98100006	6	57	99100196	24	11			
	10	52	99100197	24	11			
98100007	4	39						
	8	39						
98100010	8	18						
98100037	24	5						
	27	7						
98100040	6	52						
	10	48						
98100062	4	28						
	8	19						
98100095	16	10						
98100165	16	14						
98100172	4	22						
	8	34						
98100176	4	25						
	8	17						
	12	16						
	14	16						

SNO-WAY[®] INTERNATIONAL, INC.

SNO-WAY[®]
SNOW & ICE CONTROL EQUIPMENT

Hartford, WI 53027 USA
Website: www.snoway.com
©2014 Sno-Way[®] International