



**Assembly  
&  
Installation Instructions**

**FOR  
FLOAT LIMITER FOR 28 SERIES SNOWPLOW**

**FOR SERIAL NUMBERS AFTER  
28D100000**



1. THINK SAFETY, ALWAYS WEAR SAFETY GLASSES WHEN PERFORMING THE OPERATIONS PRESCRIBED IN THESE INSTRUCTIONS.
2. READ ALL INSTRUCTIONS CAREFULLY BEFORE ATTEMPTING INSTALLATION.
3. BEFORE BEGINNING WORK MAKE SURE TO SET PARKING BRAKE AND CHOCK WHEELS.

## ASSEMBLY TOOLS NEEDED

Open End Wrench 5/8", 15/16"  
 Locking Clamps  
 Arc Welder  
 Black Touch Up Paint  
 Paint Removal Tool (File or Small Grinder)

## INSTALLATION INSTRUCTIONS

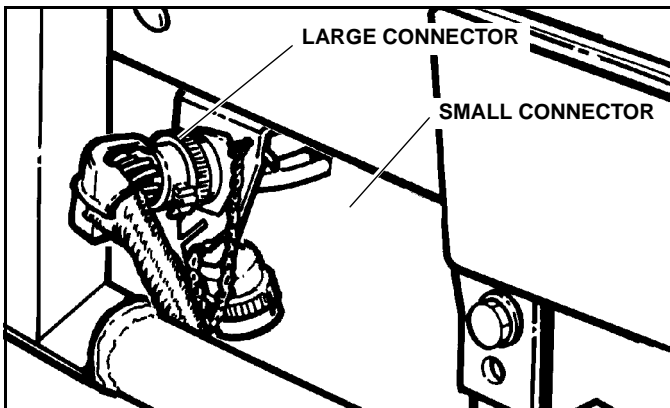
1. Extend both Wing Cylinders to fold the Wings forward into the "Scoop Position"
2. Raise the Plow high enough to allow a 8-1/2" to 9" high sturdy blocking to be placed under the front of the main frame and then lower the Plow until it is supported by the Blocks.

## WARNING

Ensure Engine is OFF and set parking brake before working on Snow Plow. Vehicle movement, equipment failure, or inadvertent operation of the control switches during installation could result in serious injury.

**FAILURE TO HEED CAN RESULT IN SERIOUS INJURY OR DEATH.**

3. Place the vehicle in park, apply the vehicle parking brake and turn off the vehicle ignition.



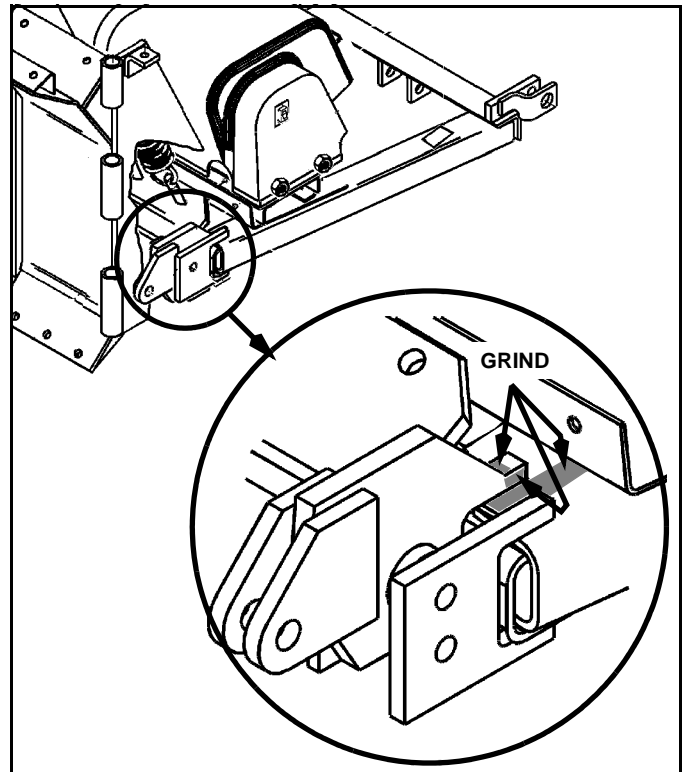
4. Disconnect both plow harnesses at the Harness Connectors on the front of the vehicle by rotating them counterclockwise.

## CAUTION

Never use pliers or any other tool to separate the wiring harness connector halves.

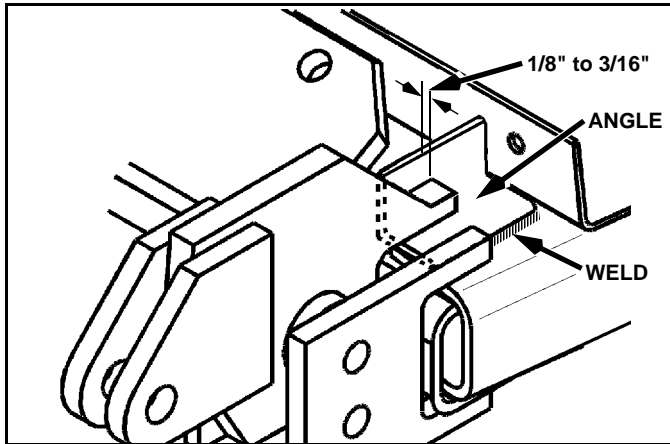
**IMPORTANT:** If the vehicle has any computer controls (for engine, etc.) refer to the vehicle service manual and/or contact the vehicle dealer for any precautions necessary prior to any welding (such as disconnecting, removing, or otherwise isolating computers and/or related equipment).

5. Disconnect the vehicle ground cable at the battery terminal.



6. Prepare the Pivot Frame (#96102363) for welding by removing paint from the rear outer surface of each side plate for approximately one inch (1") Prepare the Main

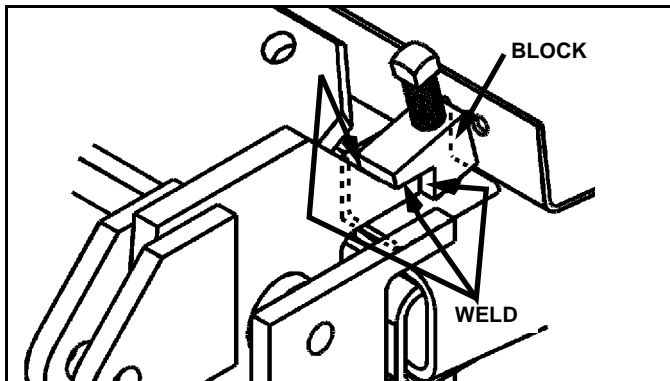
Frame (#96101769) for welding by removing paint from the top of each side channel for approximately two and one half inches (2-1/2").



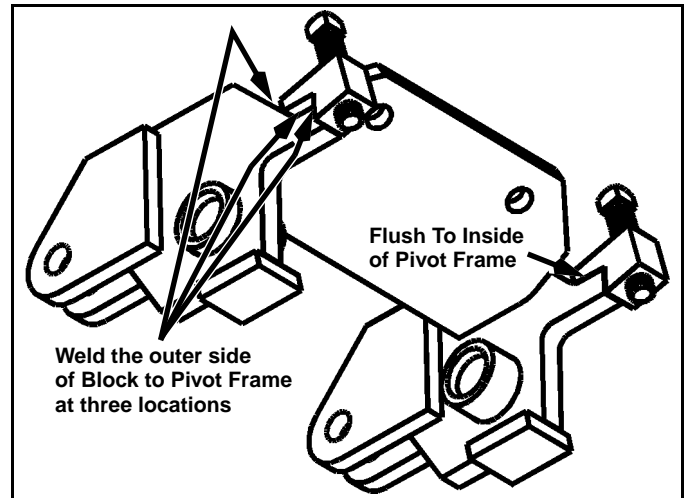
7. Position one angle (#2) on top of the Main Frame side channel with the vertical leg of the Angle to the "inside" of the frame and 1/8" to 3/16" inside the inner side of the side plate of the Pivot Frame and the rear of the Angle against the Pump Platform support plate.

8. Clamp the Angle in place and weld the outer lower edge of the Angle to the top of the Main Frame side channel.

9. Position one Block (#1) against the Rear and top of the side plate of the Pivot Frame (#96102363), with the threaded hole in the Block in a generally vertical position. Position the block with the inside edge of the Block flush with the inside edge of the Pivot Frame side plate.



10. Clamp the Block in position and weld the outer side of the Block to the Pivot Frame side plate.



11. Install the 5/8" Jam Nut (#3) on the 5/8" Square Head Set Screw (#4) and install the Set Screw in the threaded hole of the Block. Install from the top and screw into the hole until the screw is approximately flush with the bottom of the block. (Final adjustment will be made later.)

12. Repeat steps #7 through #11, to install the Angle and Block on the opposite side of the Main Frame and Pivot Frame.

13. Touch up the welded areas with touch-up spray paint.

14. If any vehicle computer controls were disconnected, reconnect per manufacturers recommendations.

*NOTE: Refer to the vehicle service manual and/or contact the vehicle dealer for any precautions necessary in reconnecting computer controls.*

15. Re-connect the vehicle battery ground cable.

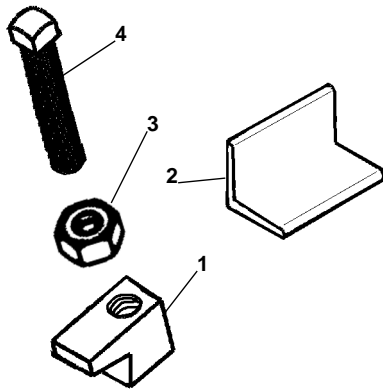
16. Re-connect both plow harnesses to the vehicle at the harness connections on the front of the vehicle.

17. Raise the Plow enough to remove the blocking under the main frame and lower the Plow to the ground on a flat level surface.

18. If the Plow Disk Shoes have not been adjusted in accordance with Technical Service Bulletin (#97100527A), adjust them at this time.

19. When the Plow and Disk Shoes are properly adjusted and with the Plow Blades resting on a level surface, screw each Set Screw down until the bottom of the set screw touches the surface of the Angle installed on the top of the Main Frame. Back the Set Screw out 2 turns and, while holding the Square Head of the Set Screw, tighten the Jam Nut against the top of the Block to lock the Set Screw in place.

*NOTE: If the Plow is installed later on a vehicle with a different Sub-Frame height, the Float Limiter will have to be readjusted to permit proper float action.*



ITEM	PART NO.	DESCRIPTION	QTY.
1	96102804	Block, Adjustment .....	2
2	96102805	Angle, Support.....	2
3	98100157	Nut, Hex, Jam 5/8" - 11 NC .....	2
4	98009129	Set Screw, Square Head, 5/8"-11 NC x 3" .....	2

---

**SNO-WAY® INTERNATIONAL, INC.**



844 West State Street  
 Hartford, WI 53027 USA  
 Phone (262) 673-7200  
 FAX (262) 673-7409  
 ©1999 Sno-Way® International