

# **SNOW PLOW SET UP AND INSTALLATION INSTRUCTIONS**

**18DX SERIES SNOW PLOW  
FOR PLOW SERIAL NUMBERS AFTER  
18DX100775**

# TABLE OF CONTENTS

	Page
INTRODUCTION .....	2
SAFETY .....	3
INSTALLATION INSTRUCTIONS .....	4
General .....	4
Electrical Installation .....	4
Mechanical Installation.....	7
Installing The Transport Lock.....	10
Disk Shoe Adjustment (Optional Equipment) .....	10
TORQUE SPECIFICATIONS.....	11
HYDRAULIC SCHEMATIC.....	12
WIRING SCHEMATIC ROCKER SWITCH STYLE.....	13
WIRING SCHEMATIC JOY STICK STYLE.....	14
PRE-DELIVERY & DELIVERY CHECKLIST .....	Outside Back Cover

# INTRODUCTION

This manual was written for the assembly, installation and set up of the of your new Sno-Way Plow. Most importantly, this manual provides an operating plan for safe use. Refer to the Table of Contents for an outline of this manual.

Please keep this manual with your machine at all times as reference material and so it can be passed on to the next owner if the machine is sold.

We require that you read and understand the contents of this manual COMPLETELY, especially the chapter on SAFETY, before attempting any procedure contained in this manual.



The Society of Automotive Engineers has adopted this SAFETY ALERT SYMBOL to pinpoint characteristics that, if NOT carefully followed, can create a safety hazard. When you see this symbol in this manual or on the machine itself, BE ALERT!, your personal safety and the safety of others, is involved.

• Defined in the next column, are the SAFETY ALERT messages and how they will appear in this manual.



## WARNING

**FAILURE TO HEED CAN RESULT IN SERIOUS INJURY OR DEATH.**



## CAUTION

**Information, that if not carefully followed, can cause minor injury or damage to equipment!**

*NOTE: Additional information concerning the equipment or the procedure that may or may not be contained elsewhere in this manual.*

**BE AWARE! It is illegal to remove, deface or otherwise alter the safety decals mounted on this equipment.**

We reserve the right to make changes or improve the design or construction of any part(s) without incurring the obligation to install such parts or make any changes on any unit previously delivered.

**REMEMBER** after the Snow Plow is installed on the vehicle, the Pre-Delivery Check List and Delivery Check List (on the outside back cover of this manual) must be completed.

## TOOL LIST

Safety Goggles

Wrenches 3/8" - 15/16"

Impact Wrench

Wire Crimp Tool

Torque Wrench 0-300 inch Lbs.

Utility knife

Drill Bit 9/32"

12 Volt Test Light

Impact Sockets 3/8" - 15/16"

Two (2) 6" C-Clamps

Drill

Hole Saw 1-1/16"

Rubbing Alcohol

Clean, Dry Cloth



## SAFETY



**BEFORE ATTEMPTING ANY PROCEDURE IN THIS BOOK, READ AND UNDERSTAND ALL THE SAFETY INFORMATION CONTAINED IN THIS SECTION. IN ADDITION, ENSURE ALL INDIVIDUALS WORKING WITH YOU ARE ALSO FAMILIAR WITH THESE SAFETY PRECAUTIONS.**

**For your safety Warning and Information Decals have been placed on this product to remind the operator to take safety precautions. It is important that these decals are in place and are legible before operation begins. New decals can be obtained from Sno-Way or your local dealer.**

**REMEMBER** The careful operator is the best operator. Most accidents are caused by human error. Certain precautions must be observed to prevent the possibility of injury to operator or bystanders and/or damage to equipment.

**NEVER** operate Plow when under the influence of alcohol, drugs or other medications that could hamper your judgement and reactions. An accident may result in serious injury or death to other persons or yourself.

**ALWAYS** operate vehicle in a well-ventilated area. The carbon monoxide in exhaust gas is highly toxic and can cause serious injury or death.

**NEVER** allow hands, hair or clothing to get near any moving parts such as fan blades, belts and pulleys. Never wear neckties or loose clothing when working on the vehicle.

**NEVER** wear wrist watches, rings or other jewelry when working on the vehicle or individual equipment. These things can catch on moving parts or cause an electrical short circuit that could result in serious personal injury.

**ALWAYS** wear safety goggles when working the vehicle to protect your eyes from battery acid, gasoline, and dust or dirt from flying off of moving engine parts.

**ALWAYS** be aware of and avoid contact with hot surfaces such as engine, radiator, and hoses.

**ALWAYS** wear safety glasses with side shields when striking metal against metal! In addition, it is recommended that a softer (non-chipable) metal material be used to cushion the blow. Failure to heed could result in serious injury to the eye(s) or other parts of the body.

**NEVER** allow children or unauthorized person to operate this unit.

**NEVER** exceed 45 m.p.h. when snow plow is attached to vehicle. Braking distances may be reduced and handling characteristics may be impaired at speeds above 45 m.p.h.

**ALWAYS** lock the vehicle when unattended to prevent unauthorized operation of the plow.

**ALWAYS** check the job site for terrain hazards, obstructions and people.

**NEVER** exceed 10 m.p.h. when plowing. Excessive speed may cause serious injury and damage of

equipment and property if an unseen obstacle is encountered while plowing.

**ALWAYS** position blade so it does not block path of headlamps beam. Do not change blade positions while traveling. An incorrect plow position blocking Headlamp beam may result in an accident.

**NEVER** operate this unit under water.

**ALWAYS** check surrounding area for hazardous obstacles before operating this unit.

**ALWAYS** inspect the unit periodically for defects. Parts that are broken, missing or plainly worn must be replaced immediately. The unit, or any part of it should not be altered without prior written approval of the manufacturer.

**ALWAYS** insert the cylinder lock when plow is not in use. If the cylinder lock is not installed, the plow blade could inadvertently drop and cause serious injury.

**ALWAYS** shut off the vehicle engine, place the transmission in Neutral or Park, turn the ignition switch to the "OFF" position and firmly apply the parking brake of the vehicle before attaching or detaching the blade from the vehicle or when making adjustments to the blade.

**ALWAYS** inspect lift system bolts and pins whenever attaching or detaching the plow, and before traveling. Worn or damaged components could result in the plow dropping to the pavement while driving, causing an accident.

**ALWAYS** keep hands and feet clear of blade and A-Frame when attaching or detaching plow.

**NEVER** place fingers in A-frame or mount lug holes to check alignment when attaching snow plow. Sudden motion of the plow could severely injure a finger.

**NEVER** stand between the vehicle and blade or directly in front of blade when it is being raised, lowered or angled. Clearance between vehicle and blade decreases as blade is operated and serious injury or death can result from blade striking a body or dropping on hands or feet.

**NEVER** work on the vehicle without having a fully serviced fire extinguisher available. A 5 lb or larger CO<sub>2</sub> or dry chemical unit specified for gasoline, chemical or electrical fires, is recommended.

**NEVER** smoke while working on the vehicle. Gasoline and battery acid vapors are extremely flammable and explosive.

**ALWAYS** be aware of and avoid contact with hot surfaces such as engine, radiator, and hoses.

**NEVER** use your hands to search for hydraulic fluid leaks; escaping fluid under pressure can be invisible and can penetrate the skin and cause a serious injury! If any fluid is injected into the skin, see a doctor at once! Injected fluid **MUST BE** surgically removed by a doctor familiar with this type of injury or gangrene may result.

**REMEMBER** it is the owner's responsibility for communicating information on the safe use and proper maintenance of this machine.

# INSTALLATION INSTRUCTIONS

## General

Install the sub-frame on the vehicle using the instructions supplied with the sub-frame package.



## WARNING

### VEHICLES EQUIPPED WITH AIR BAGS!

Certain Vehicles equipped with Air Bags cannot be equipped with Snow Plows because of the possibility of the Air Bag being deployed if the Snow Plow hits an obstruction. Before attempting to install a Snow Plow on a vehicle equipped with Air Bags, consult with the vehicle manufacturer to be sure that Snow Plow operation will not result in inadvertent deployment of the vehicle air bag.

**FAILURE TO HEED CAN RESULT IN SERIOUS INJURY OR DEATH.**

## Electrical Installation

1. Remove the wiring harness from the carton.

*NOTE: Take the extra time needed to plan the routing of the wiring harness before drilling any holes or fastening the harness or control box in place. Read all the instructions carefully to ensure all the required conditions are met for a safe and professional installation.*

2. Determine a convenient location for the Wiring Harness Plug Bracket that will satisfy the following conditions;

- A flat, smooth mounting surface at least the size of the bracket mounting surface.
- Allows the wiring harness to extend at least 3" from behind the bracket before making any bends. (See Figure 1-1)
- Bracket is located so that Plow Harness does not rub or get pinched between Nose Piece and A-Frame when plow is raised or lowered.

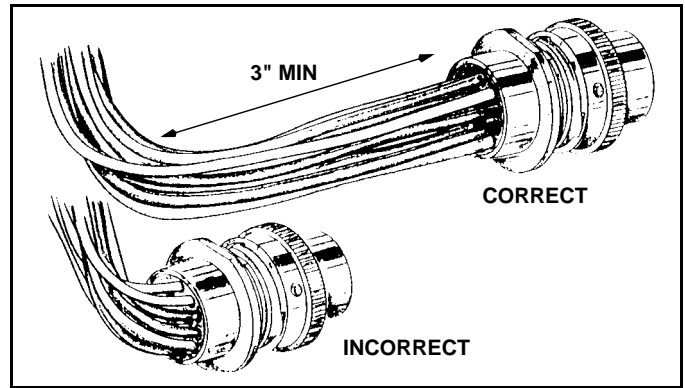


Figure 1-1

- Allows enough slack in the Plow Wiring Harness for the Plow to move in all directions (left or right) and positions (raise or lower).
- Bracket should be located on the same side of the vehicle (left or right) as the battery.



## CAUTION

**Always follow solvent manufacturer's precautionary warnings and handling procedures when using solvents.**

3. Scrub the mounting surface with a mild abrasive pad soaked in a solution of 50/50 Isopropyl Alcohol (rubbing alcohol) and water or heptane. Wipe the surface dry with a clean, dry cloth to remove the solvent and contaminants.

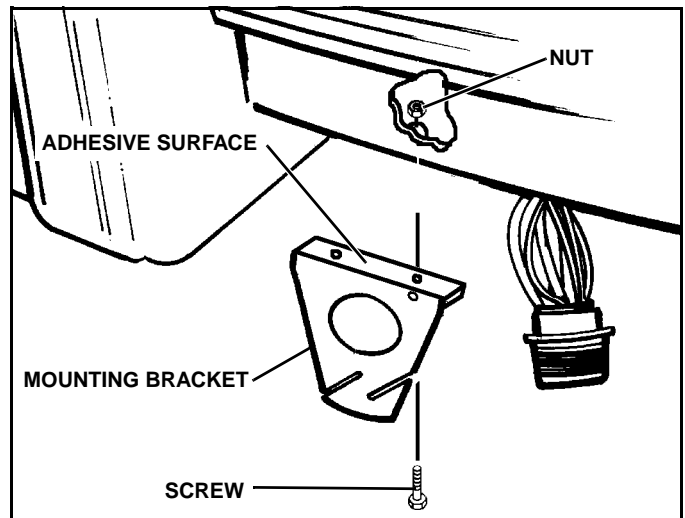


Figure 1-2

4. Peel the protective backing from the adhesive strip on the Mounting Bracket and carefully position the bracket on the mounting surface. Clamp the bracket in place with a C-clamp and allow it to stay clamped for at least 20

minutes. For permanent mounting, drill two (2) 9/32" holes into the mounting surface using the holes in the bracket as a template, and secure with two (2) 1/4" bolts and nuts. (See Figure 1-2)

5. Look for an existing hole, with rubber grommet, in the vehicle firewall. The hole must be 1-3/8" or larger.

## CAUTION

**DO NOT** drill any holes until a thorough visual inspection is performed to determine that the area around the hole to be drilled, on both sides of the firewall, is clear of any obstacles such as brake lines, linkage or vehicle wiring.

6. If an existing 1-3/8" hole is not available, look for an area to drill a 1-3/8" hole that satisfies these conditions;

- Hole should be drilled on the same side of the vehicle firewall (left or right) as the vehicle battery.
- **DO NOT** put a hole in such a spot that will force the wiring harness, when installed, to interfere or be routed behind accelerator pedal, brake pedal, clutch pedal, parking brake or associated linkage.
- **DO NOT** drill any holes until a thorough visual inspection is performed to determine that the area around the hole to be drilled, on both sides of the firewall, is clear of any obstacles such as brake lines, linkage or vehicle wiring.

*NOTE: If the hole has to be drilled through carpeting and/or insulation pull carpet and/or insulation back and out of the way. After hole has been drilled, mark back side of carpet and/or insulation where harness will pass through. Mark location to be cut with a "X" then, using a sharp utility knife, cut along the "X". Route harness through drilled hole and cut in carpet and/or insulation. Reinstall carpet and/or insulation. This will allow for a clean repair should the Plow ever be removed. Simply place a piece of duct tape on the back side of the carpet and press into place. This will virtually hide the cut in the carpet where the harness was routed.*

7. Using a hole saw, drill a 1-3/8" hole through the vehicle firewall.

## CAUTION

**Keep wiring harness away from moving parts, sharp edges and areas of extreme heat to avoid electrical failure and fire.**

8. Insert wiring harness through rubber grommet and firewall, then install grommet into firewall.

9. After the Wiring Harness has been positioned install the Adhesive Backed Neoprene Seal over the Harness and against the Rubber Grommet to completely close the opening through the firewall.

10. Remove the accessory fuse from the vehicle fuse box.

*NOTE: Two Fuse Tap-ins are provided, one for standard (ATO/ATC) Automotive Blade Fuses and one for Mini-Blade Automotive Fuses. Determine which type of fuse the vehicle uses. If the standard fuse is used, the Fuse Tap-In will require the provided 1/4" Female Spade Terminal, if the Mini-Fuse is used, the Fuse Tap-in will require the provided 3/16" Female Spade Terminal.*

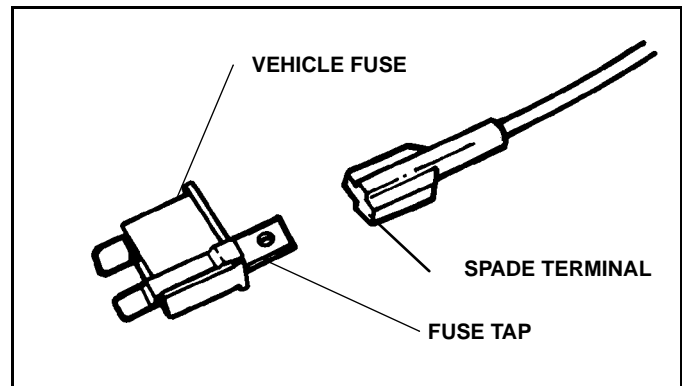


Figure 1-3

*NOTE: If accessory fuse is not available in the fuse box use another fuse with a 10-15 Amp designation, i.e. radio, lighter etc.*

**IMPORTANT: DO NOT use fuse designated for head-lamp, tail lamp, stop lights, panel lights, or other critical fuses.**

**IMPORTANT: Insure that the vehicle ignition is in the ON position BEFORE preceding to the next step!**

11. With the vehicle ignition key in the **ON** position, use a test probe to determine the fused "Dead/OFF" side of the fuse and attach the appropriate Fuse Tap to that side of the fuse. (See Figure 1-3)

12. Route the Red/Black wire (with bared end) of the wiring harness to the vehicle fuse box

13. Cut end of wire to length, strip end and install the appropriate female spade terminal onto wire.

14. Attach female spade terminal (Red wire from harness) to appropriate Fuse tap-in and re-install fuse.

**IMPORTANT:** The Red/Black wire must be protected by a fuse. If it is not practical to attach this wire to a fused circuit in the vehicle fuse box an in line 10 amp fuse must be added to this wire.



## WARNING

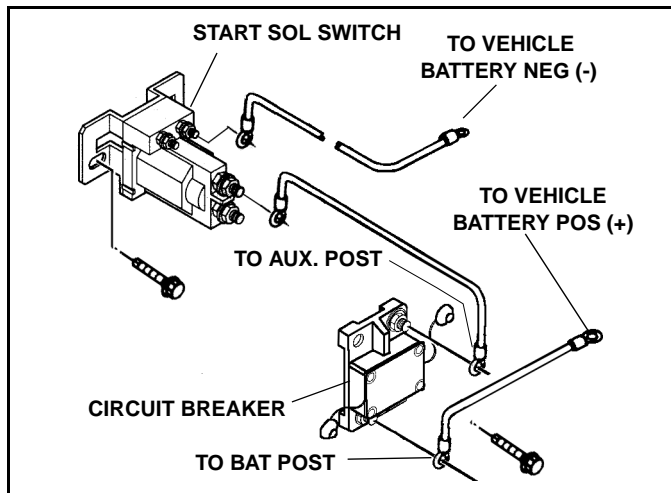
Disconnect vehicle NEG. (-) battery cable while performing Steps 13 - 24 to avoid serious bodily injury from fire or explosion.

**FAILURE TO HEED CAN RESULT IN SERIOUS INJURY OR DEATH.**

15. Attach the four-way connector (two (2) four-way connectors with down pressure system) to the harness that will attach to the wiring harness plug bracket.

16. Attach the brown wired ring terminal to one of the small terminals of the start solenoid switch.

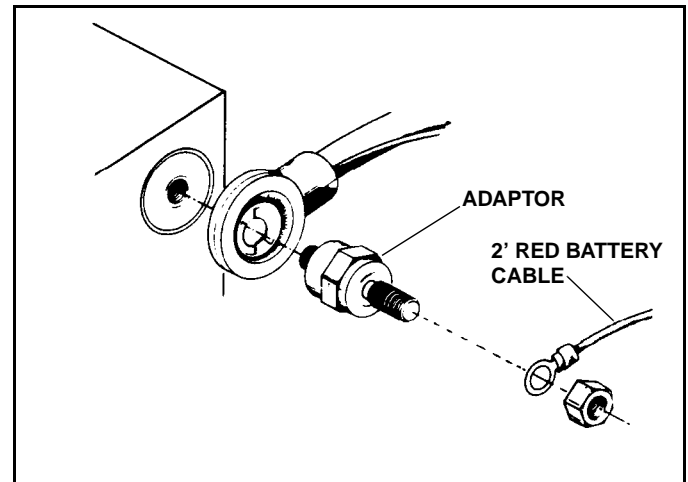
17. Attach the small ring terminal of the solenoid ground wire to other small terminal of the start solenoid switch.



**Figure 1-4**

18. Attach one of the 2' long Red battery cables to the Aux. Post of the circuit breaker and one of the large terminals of the start solenoid switch. (See Figure 1-4)

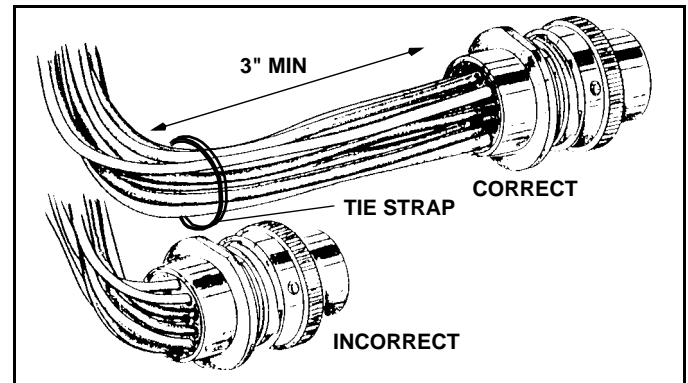
19. Attach the heavy Red wire from the harness to the remaining large terminal of the start solenoid switch.



**Figure 1-5**

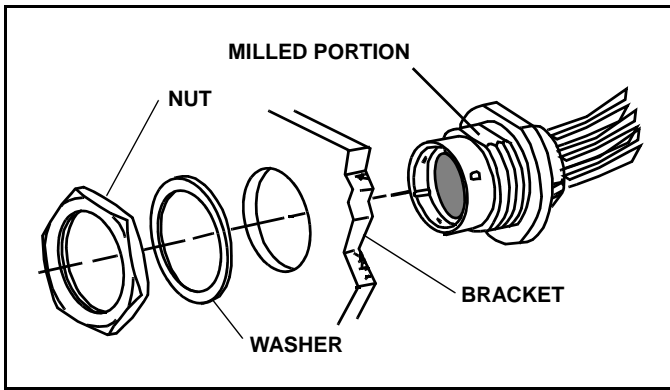
*NOTE: If the vehicle has a "side post" battery, it is recommended that adaptors be purchased to make connections at the vehicle battery easier. (See Figure 1-5) Adaptors can be purchased locally or are available from your Sno-Way Dealer, Part #96100773.*

20. Attach the other 2' long Red battery cable to the battery terminal of the circuit breaker and to the POS. (+) battery terminal. (See Figure 1-5)



**Figure 1-6**

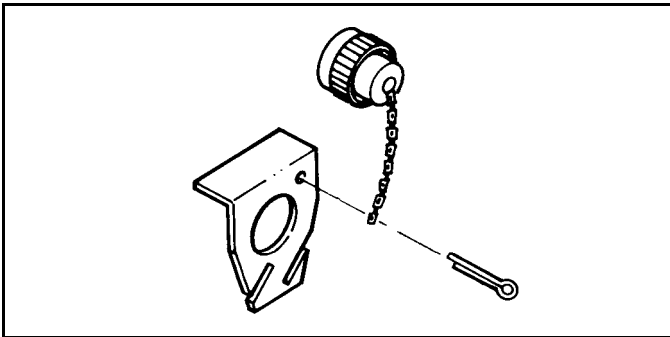
21. Fasten the wiring harness with a tie strap behind the plug as shown in Figure 1-6 so that the wiring harness does not make any bend for at least 3" from the plug end.



**Figure 1-7**

22. Mount the plug in the mounting bracket from the vehicle back side. Position the plug with the milled end to the top. Place the washer over the end of the plug and secure with the large nut. See Figure 1-7.

*NOTE: If the mounting plug bracket is on the left side of the vehicle, position the plug so that the milled portion is facing down, this will allow the harness to face inward or toward the plow.*



**Figure 1-8**

23. Attach the protective cover to the mounting bracket by spreading the cotter pin, placing one side of the pin through the end of the chain, closing the pin, inserting it through the small hole in the bracket and spreading both ends of the pin. (See Figure 1-8)

*NOTE: If desired, the protective cover may be kept in the vehicle when not in use rather than attached to the Plug Mounting Bracket. If kept in the vehicle when not in use remember that the cover must be installed over the plug when the harness is disconnected to prevent corrosion of the electrical contacts.*

24. Position the start solenoid switch close enough for the remaining negative lead on the solenoid to reach the vehicle battery NEG (-) comfortably, and mount it with two (2) 1/4" x 1" self-tapping screws.

**IMPORTANT: The Circuit Breaker and Start Solenoid Switch must be placed in a location that will avoid excessive heat. DO NOT locate these parts near the engine exhaust manifold. A preferred location is one that will receive good air flow from the radiator fan but protected from excessive engine heat.**

25. Mount the circuit breaker with two (2) #10 x 1" self-tapping screws.

26. Attach the harness Negative wire, vehicle NEG (-) cable and start solenoid negative wire to the vehicle battery NEG (-) post.

27. Attach the harness negative wire, inside the cab to a grounding point inside the cab.



## WARNING

**Mount the control box in an area that will not interfere with the legs during seat travel and that will not allow the knees to come in contact with it in an accident.**

**FAILURE TO HEED CAN RESULT IN SERIOUS INJURY OR DEATH.**

28. Connect the Plow harness, inside the cab, to the control box and mount the control box to the center drive tunnel or vehicle dash.

29. Attach the harness assembly to the vehicle at different points in the cab and engine compartment that will not allow the harness to come in contact with sharp edges, hot components and moving parts or mechanisms.

## Mechanical Installation

1. Remove power pack from shipping container.

2. Remove the two (2) pivot pins, two (2) washers and two (2) special cotters from the blade parts box in the power pack container.



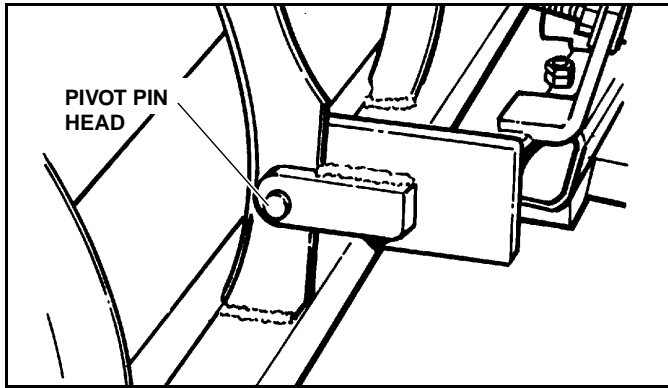


Figure 2-1

3. Align inside snow plow blade ribs with power pack swing frame end lugs. Align holes in both blade rib and end lug and insert pivot pins. (See Figure 2-1)

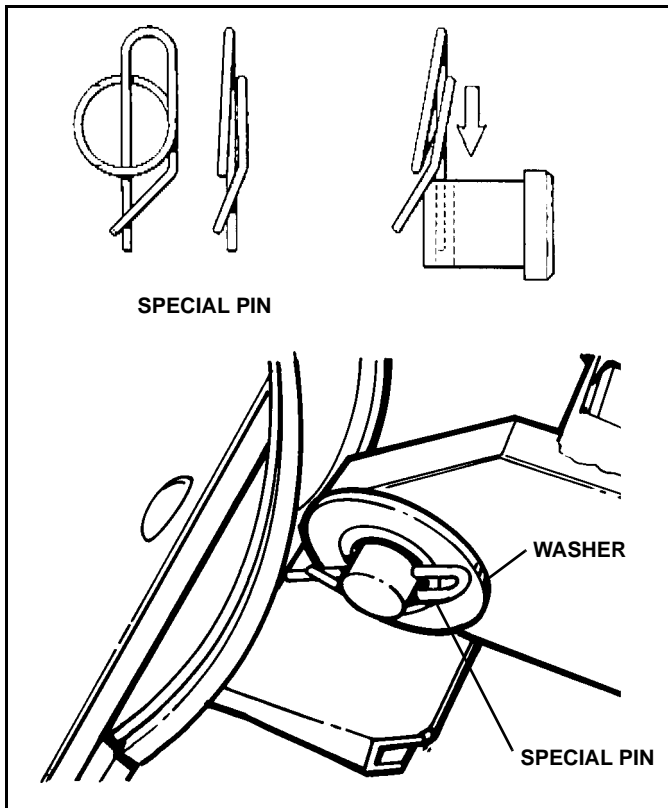


Figure 2-2

4. Secure pivot pins by installing flat washers and inserting special cotter pins in Pivot Pin hole until loop of Special Pin is engaged over end of Pivot Pin. (See Figure 2-2)

5. Attach trip springs found in blade parts box to both trip spring mounting brackets on top of blade assembly. Insure that Spring is installed as illustrated with open end of top loop facing vehicle. (See Figure 2-3) Insert other

end of spring into Eyebolts. Install nuts on Eyebolts and tighten until trip spring coils allow a 0.010" feeler gauge to pass between two or more coils. (See Figure 2-3)

*NOTE: Springs are properly adjusted when two or more coils allow a 0.010" feeler gauge to just pass between the separated coils. (A 3 x 5 post card is approximately the same thickness.)*



## CAUTION

- Do not overtighten springs. If more than 0.015" (1/64") gap appears between coil with plow at rest damage could occur to equipment during plowing.

- Spring must be installed with open end of top loop facing vehicle. Bottom loop position will vary.

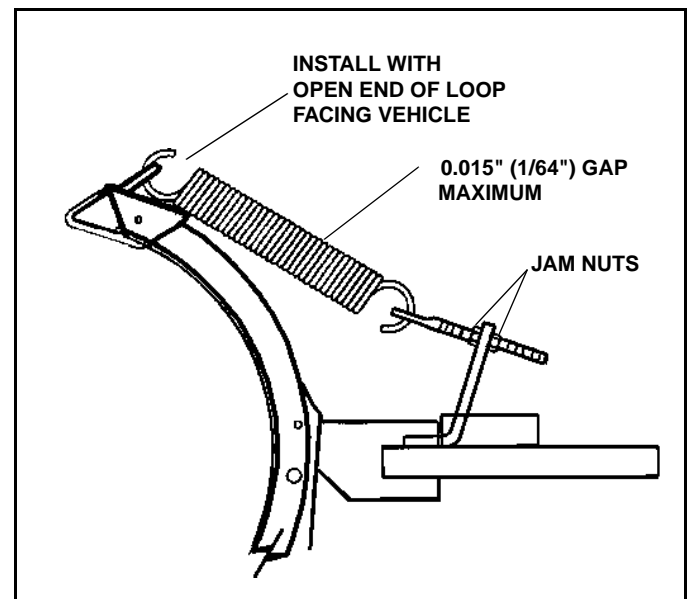


Figure 2-3

6. Install Deflector at this time. Refer to mounting instructions supplied with the Deflector Kit.

7. Install Blade Guides on outside blade ribs, secure using hardware supplied with Blade Guide Kit. (See Figure 2-4)

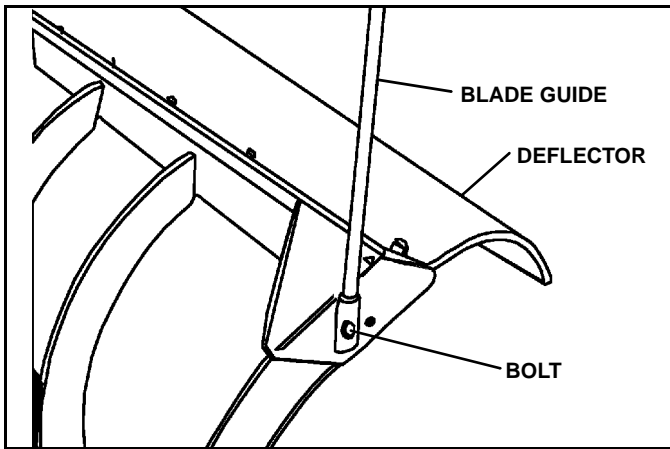


Figure 2-4

8. If lighting system and light bar are used, install light wiring in the vehicle and install the light bar and lights at this time using the instructions included in the light and light mounting package.

9. Align A-frame and vehicle mounting lugs and install two (2) lower outboard pivot Hitch Pins. Install Lynch Pins into Hitch Pins to secure them in place. (See Figure 2-5)

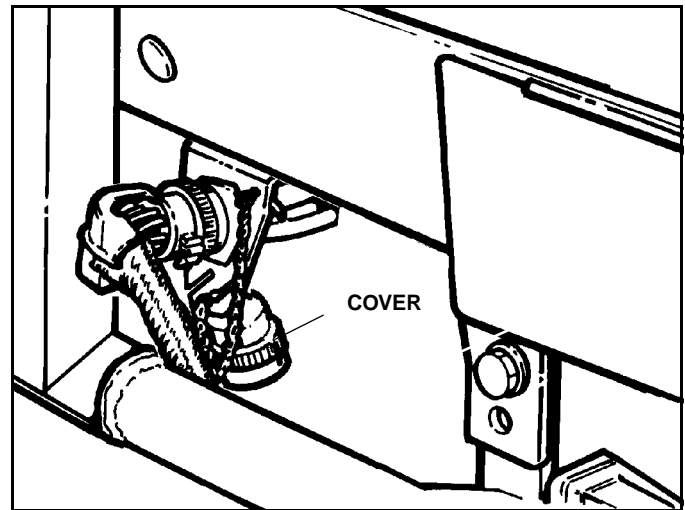


Figure 2-6



## WARNING

- Ensure ignition switch is OFF before installing or removing the cylinder lock clamp, equipment failure or inadvertent operation of the control switches could allow the Plow to fall, resulting in serious injury.

- NEVER place fingers in A-Frame or mount lug holes to check alignment. Sudden motion of the Plow could severely injure a finger.

**FAILURE TO HEED CAN RESULT IN SERIOUS INJURY OR DEATH.**



## CAUTION

**Never use pliers or any other tool to force the connector halves together.**

10. Align the two harness connector halves, push the plow end connector onto the vehicle connector and rotate clockwise to lock. (See Figure 2-6)

11. Turn vehicle ignition switch to the accessory position and place raise/lower switch to lower position.

12. Align lift bar assemblies and install center pivot Hitch Pin, install Lynch Pin into Hitch pin to secure it in place.

13. Connect accessory light wiring harness (if installed).

14. Raise plow to the full up position. Check to make sure snowplow headlamp beam is not being impaired by the top of the blade assembly. If the headlamp beam is being impaired, adjust the lift bar by selecting the appropriate adjustment hole or adjust the light bar.

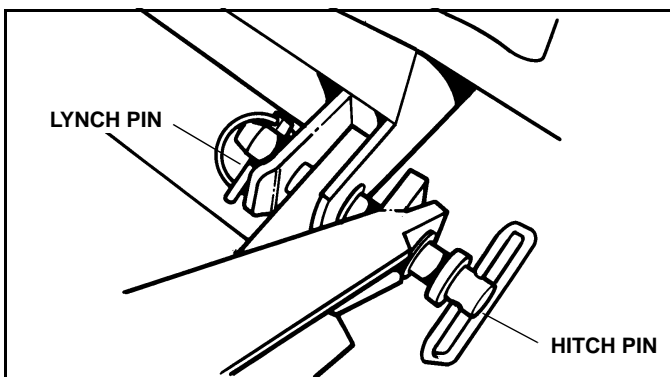


Figure 2-5

## Installing The Transport Lock



### WARNING

- Ensure ignition switch is OFF before installing or removing the Transport Lock. Equipment failure or inadvertent operation of the control switches could allow the plow to fall, resulting in serious injury.

- Always install the Transport Lock when the plow is raised and the operator is not engaged in plowing operations. Equipment failure or inadvertent operation of the control switches while driving could allow the plow to fall, resulting in serious injury.

**FAILURE TO HEED CAN RESULT IN SERIOUS INJURY OR DEATH.**

1. Raise the blade to the full UP position.
2. Turn ignition switch OFF and apply the emergency brake.

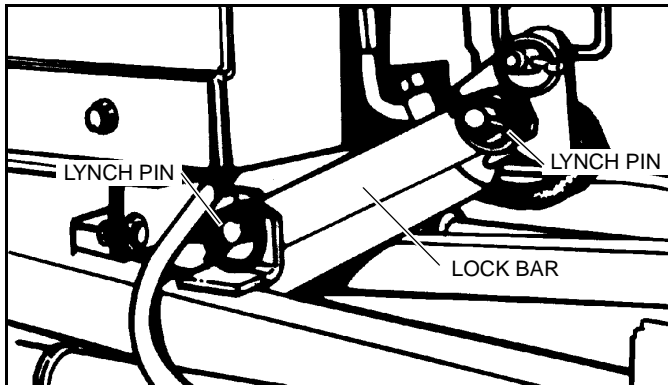


Figure 3-1

3. Remove the Lynch Pin from the pin on the end of the Transport Lock Bar.
4. Insert the pin of the Lock Bar through the hole in the Lock Brackets on the left side of the A-Frame. (See Figure 3-1)
5. Re-insert the Lynch Pin through the hole in the pin of the transport lock bar to retain the bar.
6. Remove the Lynch Pin from the Pivot Pin at the base end of the Lift Cylinder, place the slotted end of the transport lock of the bar over the pivot pin and re-install the lynch pin to hold the transport lock bar in place. (See Figure 3-1)

*NOTE: Whenever the transport lock bar is removed the Lynch Pins should be re-installed in their proper holes and the lock bar stored in the vehicle.*

## Disk Shoe Adjustment (Optional Equipment)

1. Raise the blade to the full UP position.
2. Place suitable blocking under blade to allow at least 6" of clearance to the ground.
3. Lower blade onto blocking.



### WARNING

**Keep hands and feet clear of blade and A-Frame when setting blocking and lowering blade. Moving or falling assemblies could result in serious injury.**

**FAILURE TO HEED CAN RESULT IN SERIOUS INJURY OR DEATH.**

4. Turn ignition switch OFF and apply the emergency brake.
5. Adjust shoe assemblies by removing Shoe Mounting Pin and adding or subtracting washers on the top or bottom of the shoe mounting bracket. (See Figure 3-1)

*NOTE: Adjust shoe assemblies to meet road conditions. 1/4" to 1/2" off the ground for hard surfaces, 1" to 2" for gravel roads, etc.*

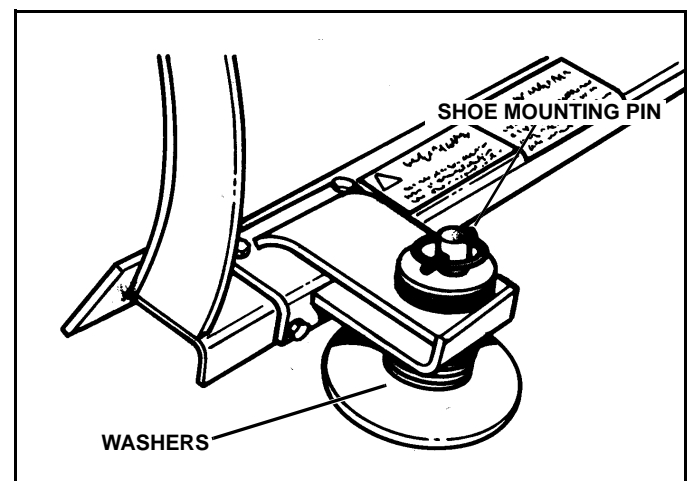
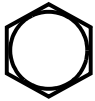
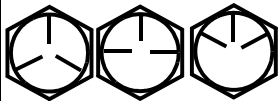
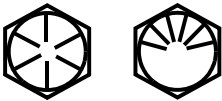





Figure 3-1

6. After the Disk Shoe position is properly adjusted, place washers on the Disk Shoe Stem - above the Disk Shoe Mounting Bracket, and below the Retaining Pin - to remove all up and down movement of the Disk Shoe in the Bracket. Failure to do this will result in excessive wear of the holes in the Disk Shoe Mounting Bracket and will also result in bending the Disk Shoe Stem.

# TORQUE SPECIFICATIONS

SAE Grade and Head Markings	1 or 2 No Marks 	5 5.1 5.2 	8 8.2 
SAE Grade and Nut Markings	2 No Marks 	5 	8 

	Grade 1		Grade 2		Grade 5, 5.1 or 5.2		Grade 8 or 8.2	
	Lubricated <sup>a</sup>	Dry <sup>b</sup>	Lubricated <sup>a</sup>	Dry <sup>b</sup>	Lubricated <sup>a</sup>	Dry <sup>b</sup>	Lubricated <sup>a</sup>	Dry <sup>b</sup>
SIZE	lb-ft	lb-ft	lb-ft	lb-ft	lb-ft	lb-ft	lb-ft	lb-ft
8-32			14*	19*	22*	30*	31*	42*
10-24			21*	27*	32*	43*	45*	60*
1/4	2.8	3.5	4.5	5.5	7	9	10	12.5
5/16	5.5	7	9	11	15	18	21	26
3/8	10	13	16	20	26	33	36	46
7/16	16	20	26	32	41	52	58	75
1/2	25	31	39	50	63	80	90	115
9/16	36	45	56	70	90	115	130	160
5/8	50	62	78	100	125	160	160	225
3/4	87	110	140	175	225	280	310	400
7/8	140	175	140	175	360	450	500	650
1	210	270	210	270	540	675	750	975

DO NOT use these values if a different torque value or tightening procedure is given for a specific application.

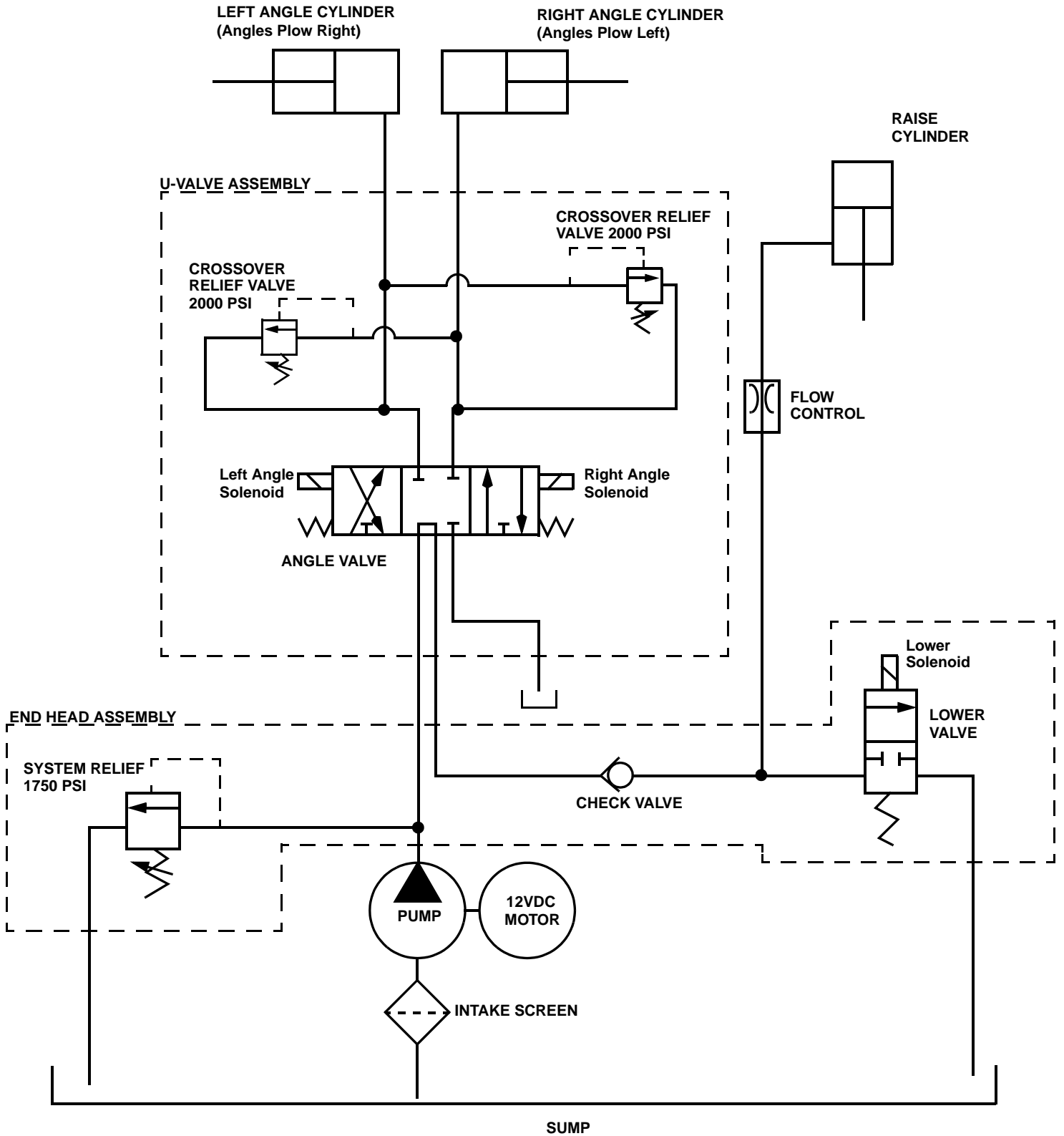
Fasteners should be replaced with the same or higher grade. If higher grade fasteners are used, these should only be tightened to the strength of the original.

<sup>a</sup> "Lubricated" means coated with a lubricant such as engine oil, or fasteners with phosphate and oil coatings.

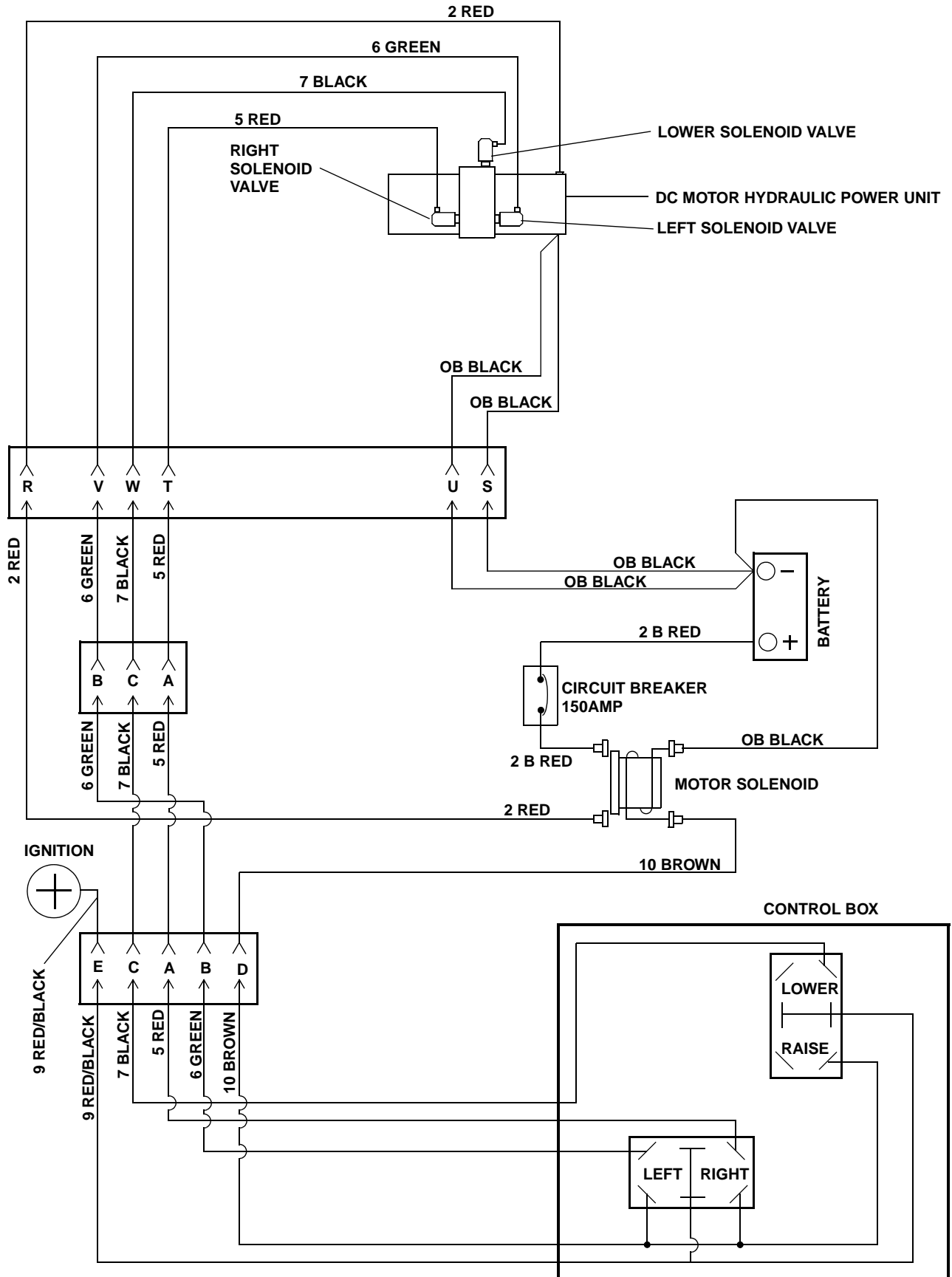
<sup>b</sup> "Dry" means plain or zinc plated without any lubrication

\* Values with asterisk are in lb-in.

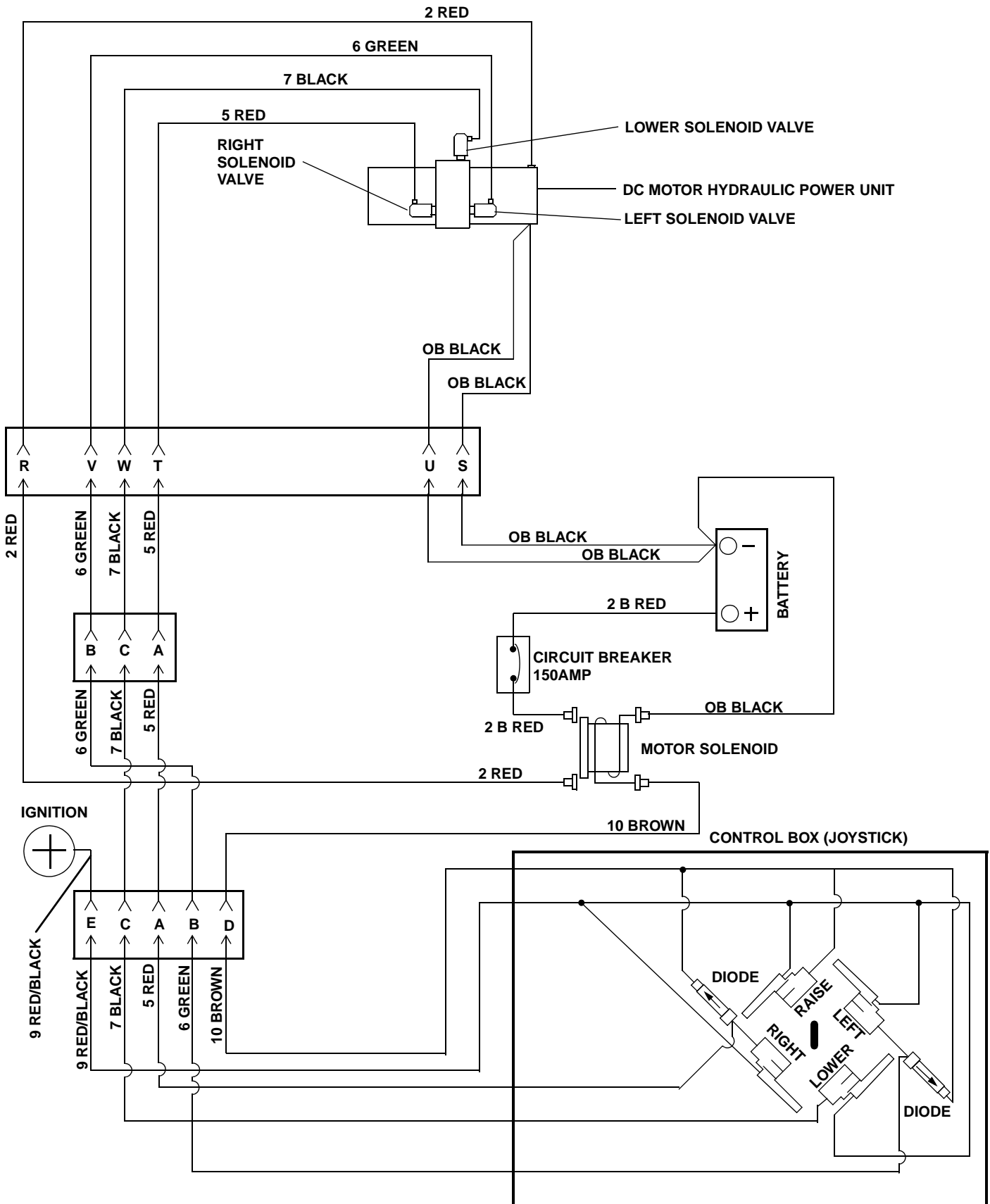
# HYDRAULIC SCHEMATIC



# WIRING SCHEMATIC ROCKER SWITCH STYLE



# WIRING SCHEMATIC JOY STICK STYLE



# DEALER PRE DELIVERY CHECKLIST

The following inspections **MUST** be accomplished prior to delivering the snowplow to the customer. Place an X  in the box after accomplishing each item on the checklist.

## CHECK THAT

- Parts have not been damaged in shipment. Repair or replace items that are loose, dented or missing.
- All covers, guards and decals are in place and attached securely.
- All pivot pins and cotters are installed and secure.
- Trip springs are adjusted.
- Shoe assemblies are installed and adjusted. (Optional equipment)
- Snow plow headlamps are adjusted properly. (Optional equipment)
- Snow plow headlamps are functional. (Optional equipment)
  - High Beam                       Low Beam                       Park Lamps
  - Left Turn                       Right Turn                       Headlamp Beam Aimed Correctly
- Transport lock is installed.

Start the vehicle engine and place an X  in the box after accomplishing each item on the checklist.

## CHECK THAT

- ALL** blade functions work properly.
- Cylinders, hoses and fittings **DO NOT** leak.
- Listen for abnormal noises or vibrations; Repair or replace as necessary.
- The Power Unit is properly filled.

# DELIVERY CHECKLIST

The following checklist is to be accomplished with the customer present, Place an X  in the box after accomplishing each item on the checklist.

- After giving the Customer his Owners Manual, instruct him to read it **PRIOR** to operating the Snow Plow. If he has any questions or does not understand part(s) of the Manual, ask him to contact the Dealer for answers or explanations **BEFORE** operating the unit.
- Record the Serial Numbers, Date of Purchase, Purchaser's Name and Address, and the Dealers Name, Address and Phone Number in the space provided on Page 1 of the Owner's Manual.
- Explain mounting and removal procedures.
- Demonstrate transport lock installation.
- Fill out Warranty Registration Card and mail COPY 1 to the factory to validate Warranty. NO Warranty claims can be honored if the Warranty Card is not on file at the factory.**

---

SNO-WAY<sup>®</sup> INTERNATIONAL, INC.



844 West State Street  
Hartford, WI 53027 USA  
Phone (262) 673-7200  
FAX (262) 673-7409  
©1999 Sno-Way<sup>®</sup> International