



1. THINK SAFETY, ALWAYS WEAR SAFETY GLASSES WHEN PERFORMING THE OPERATIONS PRESCRIBED IN THESE INSTRUCTIONS

2. READ ALL INSTRUCTIONS CAREFULLY BEFORE ATTEMPTING INSTALLATION

ASSEMBLY TOOLS NEEDED:

Sockets 7/16"-1-1/8"
 Wrenches 7/16"-1-1/8"
 Torque Wrench

INSTALLATION NOTES:

1. Park vehicle on a flat level surface and apply emergency brake.
2. Plow should be blocked up a minimum of six inches to provide clearance between unit and ground. Do not work on unit while suspended by the Hydraulic system.

TORQUE SPECIFICATIONS FOR STANDARD MACHINE HARDWARE					
Bolt Size	GR.2 Dry	GR.5 Dry	GR.8 Dry	Metric Size	GR.8.8 Dry
1/4"	66*	9	12	M8	17
5/16"	11	17	25	M10	35
3/8"	20	30	45	M12	60
7/16"	32	50	70	M14	95
1/2"	50	75	110	M16	155
9/16"	70	110	150		
5/8"	100	150	220		
3/4"	175	260	380		
7/8"	170	430	600		
1"	250	640	900		

These torque values are to be used for all hardware. Unless otherwise specified, all torque values must meet this specification. All torque values are in Ft.-Lbs unless otherwise stated
 *In-Lbs

3. Turn off ignition.
4. Install the two Shoe Mounting Brackets (#1) onto the lower rail of the Blade Assembly utilizing four (4) holes in the Lower Rail near each end of the rail and secure with four (4) 3/8" x 1-1/4" Capscrews (#6) and Nylock Nuts (#7) through each Shoe Bracket and Blade Lower Rail. Torque to 35 Lb.Ft.
5. Remove the Lynch Pin (#3) from each Shoe Assembly (#2) and as many Flat Washers (#4) as required to provide desired Shoe position. Install stem of Shoe (#5) upward from bottom of Shoe Bracket and then install any previously removed Flat Washers and the Lynch Pin to the top of the Shoe Stem.

DISK SHOE ADJUSTMENT:

1. Raise the blade to the full UP position.
2. Place suitable blocking under blade to allow at least 6" of clearance to the ground.
3. Lower blade onto blocking



WARNING

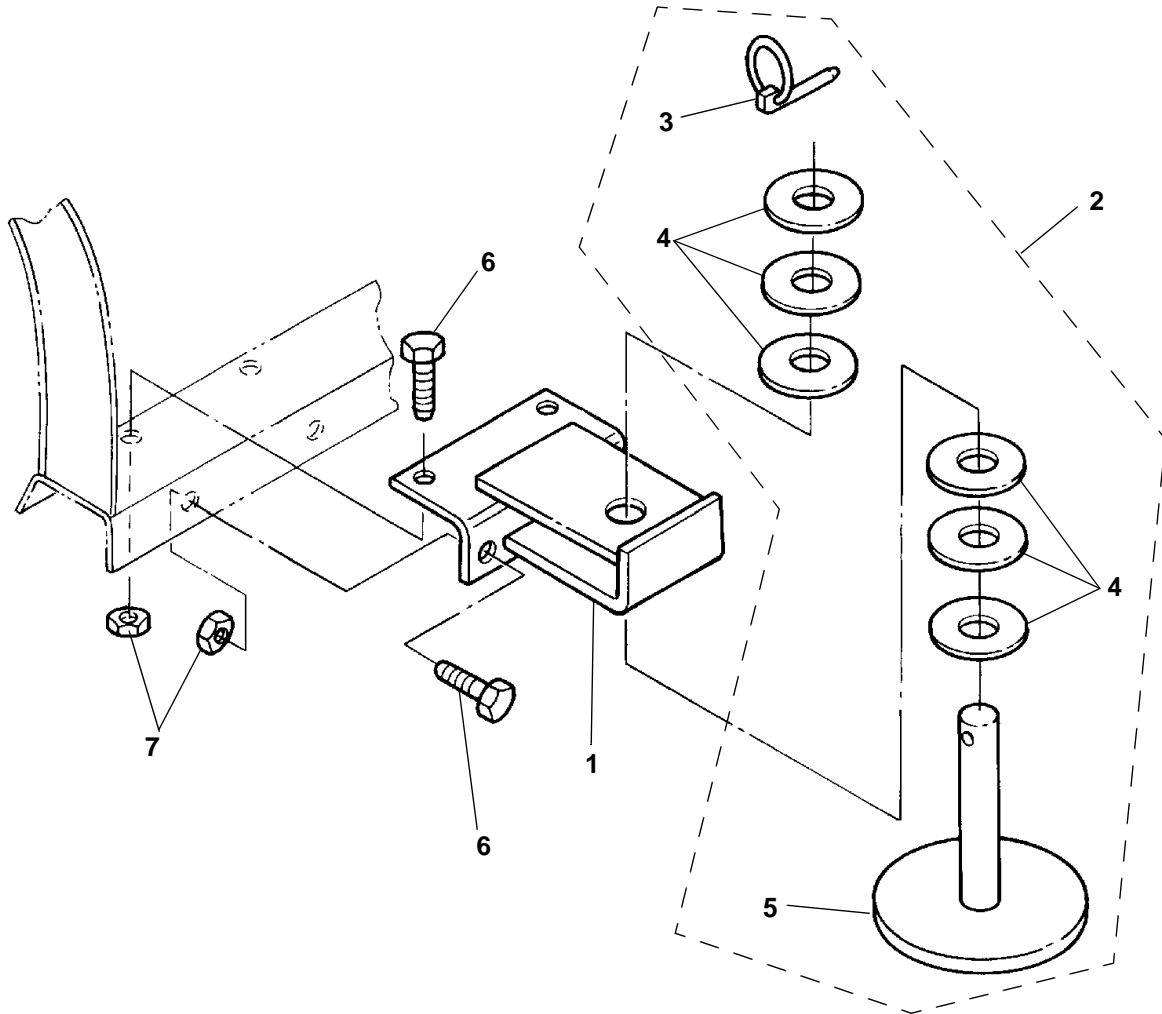
Keep hands and feet clear of blade and A-Frame when setting blocking and lowering blade. Moving or falling assemblies could result in serious injury or death.

Never work on unit while suspended by the Hydraulic Unit.

4. Turn ignition switch Off and apply the emergency brake.
5. Adjust shoe assemblies by removing Shoe Mounting Pin and adding or subtracting washers on the top or bottom of the shoe mounting bracket.

NOTE: Adjust shoe assemblies to meet road conditions. 1/4" to 1/2" off the ground for hard surfaces, 1" to 2" for gravel roads, etc.

INSTALLATION AND PARTS MANUAL
Shoes and Shoe Brackets Package 99100145
For Plow Serial Numbers After
18M100000
18DX100000



ITEM	PART NO.	DESCRIPTION	QTY.
1	96100872	Bracket, Shoe	2
2	96001191	SHOE ASSEMBLY	2
3	98009169	Pin, Lynch, 1/4" x 1-9/16"	2
4	98009127	Washer, Flat, 7/8"	26
5	96001081	Shoe, Cast Iron, 3/4" Shaft	2
6	98009034	Capscrew, Hex, 3/8" x 1-1/4"	8
7	98009009	Nut, Hex Nylock, 3/8"	8

SNO-WAY® INTERNATIONAL, INC.



844 West State Street
Hartford, WI 53027 USA
Phone (262) 673-7200
FAX (262) 673-7409
©1999 Sno-Way® International