



**Assembly
&
Installation Instructions**

Formed Deflector Kit

(Includes Hardware)

For

72", 80", 88", 90", 96" & 108" Plows



1. THINK SAFETY, ALWAYS WEAR SAFETY GLASSES WHEN PERFORMING THE OPERATIONS PRESCRIBED IN THESE INSTRUCTIONS
2. READ ALL INSTRUCTIONS CAREFULLY BEFORE ATTEMPTING INSTALLATION
3. BEFORE BEGINNING WORK MAKE SURE TO SET PARKING BRAKE AND CHOCK WHEELS

ASSEMBLY TOOLS NEEDED:

- Drill Bits 9/32", and 7/16"
- Sockets 1/2"
- Torque Wrench
- Center Punch and Hammer
- Hacksaw

REMOVAL (As Required)

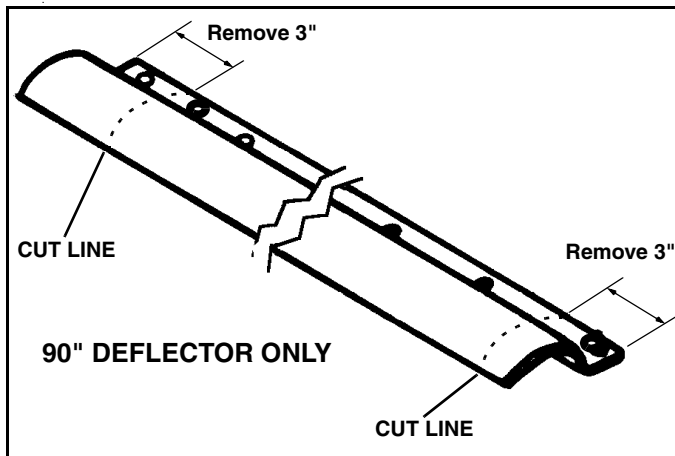
1. Remove old Deflector, if so equipped, from plow before starting installation.
2. Measure plow blade length and read modification instructions for your application.

NOTE: 96" Plow Blade Deflector can be installed with no modification. 90" Plow Blade Deflector will have 3" removed from both ends. 88", 80" & 72" Plow Blade Deflectors all require excess length removed from one end only and one 7/16" hole drilled in-line with existing holes 3/4" from sawed end. See specific section for each deflector length.

NOTE: 108" Plow Blade Deflector uses one 96" deflector and one 12" extension. See specific section for each deflector length.

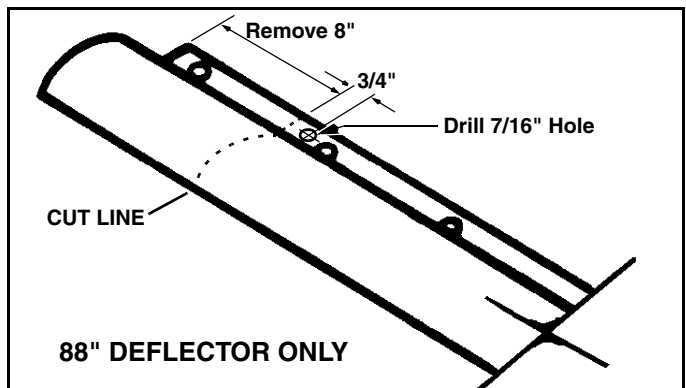
MODIFICATION INSTRUCTIONS 90" PLOW

1. To shorten to a 90" Deflector, 3" must be removed from BOTH ends of the deflector. New holes will not need to be drilled.



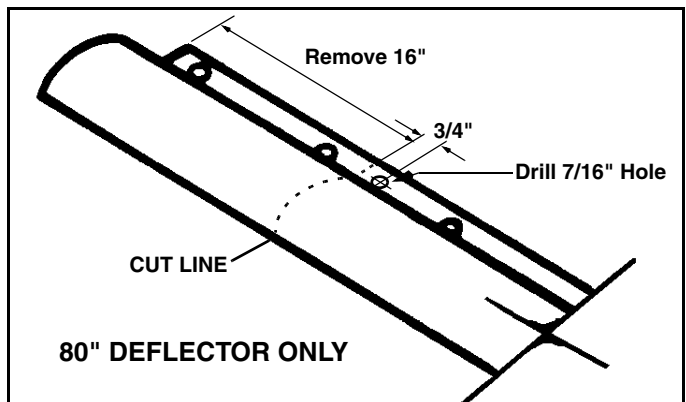
MODIFICATION INSTRUCTIONS 88" PLOW

1. To shorten to a 88" Deflector, 8" must be removed from ONLY one end of the deflector.
2. Drill one 7/16" hole in line with the existing holes, 3/4" from the cut end.



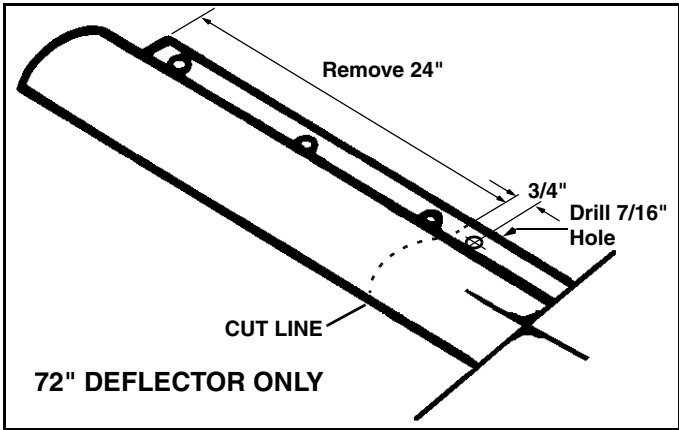
MODIFICATION INSTRUCTIONS 80" PLOW:

1. To shorten to a 80" Deflector, 16" must be removed from ONLY one end of the deflector.
2. Drill one 7/16" hole in line with the existing holes, 3/4" from the cut end.



MODIFICATION INSTRUCTIONS 72" PLOW

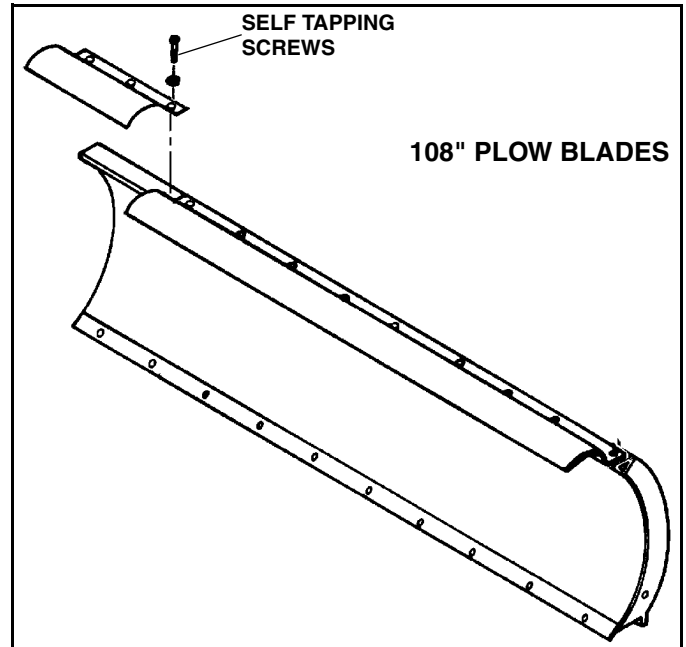
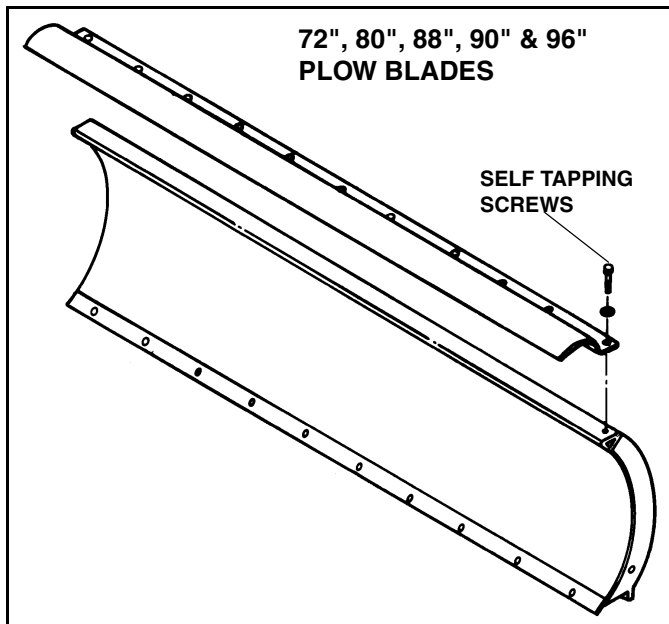
1. To shorten to a 72" Deflector, 24" must be removed from ONE end of the deflector.
2. One 7/16" hole needs to be drilled in line with the existing holes and 3/4" from the shortened end.



MOUNTING INSTRUCTIONS

NOTE: Unless specified, mount all components to plow before tightening any bolts.

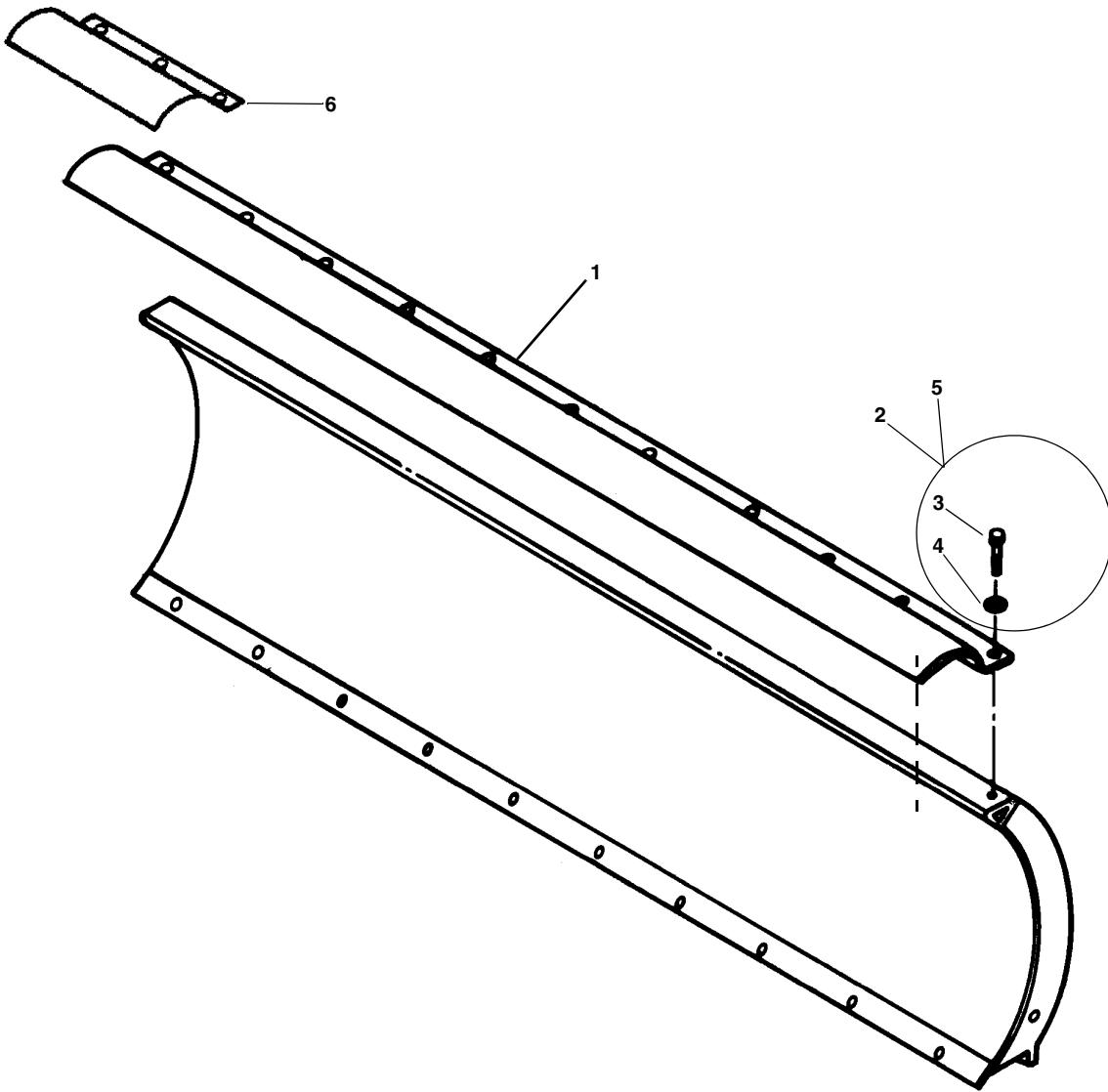
1. For 108" Plows Only – Place long (8 ft.) Deflector on top of Blade Top Rail with one end of Deflector approximately 1/2" inside one end of Blade Top Rail.
2. Center Deflector mounting holes on top of plow blade.



3. Use holes in Deflector as template to center punch and drill 9/32" holes for 5/16" X 1" Self Tapping Screws and washers provided.

NOTE: It is recommended that LOCTITE® or similar thread lock be used on these Bolts.

4. Install 5/16" X 1" Self Tapping Screws (#3) and Flat Washers in every hole in Deflector. Do not tighten.
5. For 108" Plows Only – Place short (1 ft.) Deflector on top of Blade Top Rail with one end of Deflector snug against the end of the long Deflector previously installed.
6. For 108" Plows Only – Repeat steps 2, 3 and 4 for Short (1 ft.) Deflector.
7. After all screws are installed, torque to 15 ft. lbs.



ITEM	PART NO.	DESCRIPTION	QTY.
1	96006127	Deflector.....	1
2	96101257	HARDWARE KIT (72", 80", 88", 90" & 96").....	1
3	98019176	Screw, Self Tapping, 5/16" x 1" (72", 80", 88", 90" & 96")14 Screw, Self Tapping, 5/16" x 1" (for item #6).....	2
4	98019230	Washer, Plain, 5/16" (72", 80", 88", 90" & 96") Washer, Plain, 5/16" (for item #6)	14 2
5	96105129	HARDWARE KIT (for item #6).....	1
6	96101826	Deflector Extension (108")	1

SNO-WAY® INTERNATIONAL, INC.



Hartford, WI 53027 USA
 Website: www.snoway.com
 ©2005 Sno-Way® International