

# **SNO-WAY**®

***SNOW & ICE CONTROL EQUIPMENT***

## **SERVICE PARTS MANUAL**

### **SNOW PLOW AND SPREADER CONTROLS**

# TABLE OF CONTENTS

	Page
<b>PARTS LIST INTRODUCTION .....</b>	<b>2</b>
<b>PARTS - SNOW PLOW CONTROLS</b>	
<b>Legacy Control System Transmitter (Straight Blades Only).....</b>	<b>3</b>
<b>Legacy Control System Transmitter (V-Plow Only).....</b>	<b>5</b>
<b>ProControl Transmitter (All Plows).....</b>	<b>7</b>
<b>ProControl II Transmitter (All Plows).....</b>	<b>9</b>
<b>PARTS -SPREADER CONTROLS</b>	
<b>Variable Control (Spreaders: 4, 6 &amp; 9 cu. ft.).....</b>	<b>11</b>
<b>On/Off Control (Spreaders: 4, 6 &amp; 9 cu. ft.).....</b>	<b>13</b>
<b>ProControl II Transmitter (Spreaders: 4, 6 &amp; 9 cu. ft.).....</b>	<b>15</b>
<b>CAB Control (Spreader: Gas V-Box).....</b>	<b>17</b>
<b>On/Off Control (Spreader: Electric V-Box).....</b>	<b>19</b>
<b>Dual Variable Control (Spreader: Electric V-Box).....</b>	<b>21</b>
<b>Dual Variable Control (Spreaders: PDE Series).....</b>	<b>23</b>
<b>NUMERICAL INDEX .....</b>	<b>25</b>

# PARTS LIST INTRODUCTION

Our dealership network stands by to provide you with any assistance you may require, including genuine Sno-Way service parts. All parts should be obtained from or ordered through your dealer. Give complete information about the part(s) at time of order, and include the Model and applicable Serial Numbers of your machine.

**NOTE: The Model and all Serial number information should be recorded on page two of your Installation and Owner's Manual for ease of reference. The location of these numbers on the machine is detailed in the manual as well.**

**"Right" and "Left" are determined from a position sitting on the Operators seat of the vehicle.**

We reserve the right to make changes or improvements in the design or construction of any part without incurring the obligation to install such changes in any unit previously delivered.

## USING THIS PARTS LIST

A sample parts listing is shown below:

- The **"ITEM"** in column one is the number used in the corresponding illustration.
- The **"PART NO."** in column two is the number used to order replacement parts. If a number does not appear in the column the part is only available by ordering the complete assembly.
- The **"DESCRIPTION"** in column three is the name of the replacement part. At times the name may be indented, this means that the indented parts are part of the preceding assembly.
- The **"QTY."** in column four is the quantity needed to service the assembly illustrated, not the complete product.

ITEM	PART NO.	DESCRIPTION	QTY.
1	96100083	O-ring	1
2	96001529	Elbow	3
3	98100036	Capscrew, Hex.,3/8"-16NC x 7/8"	9

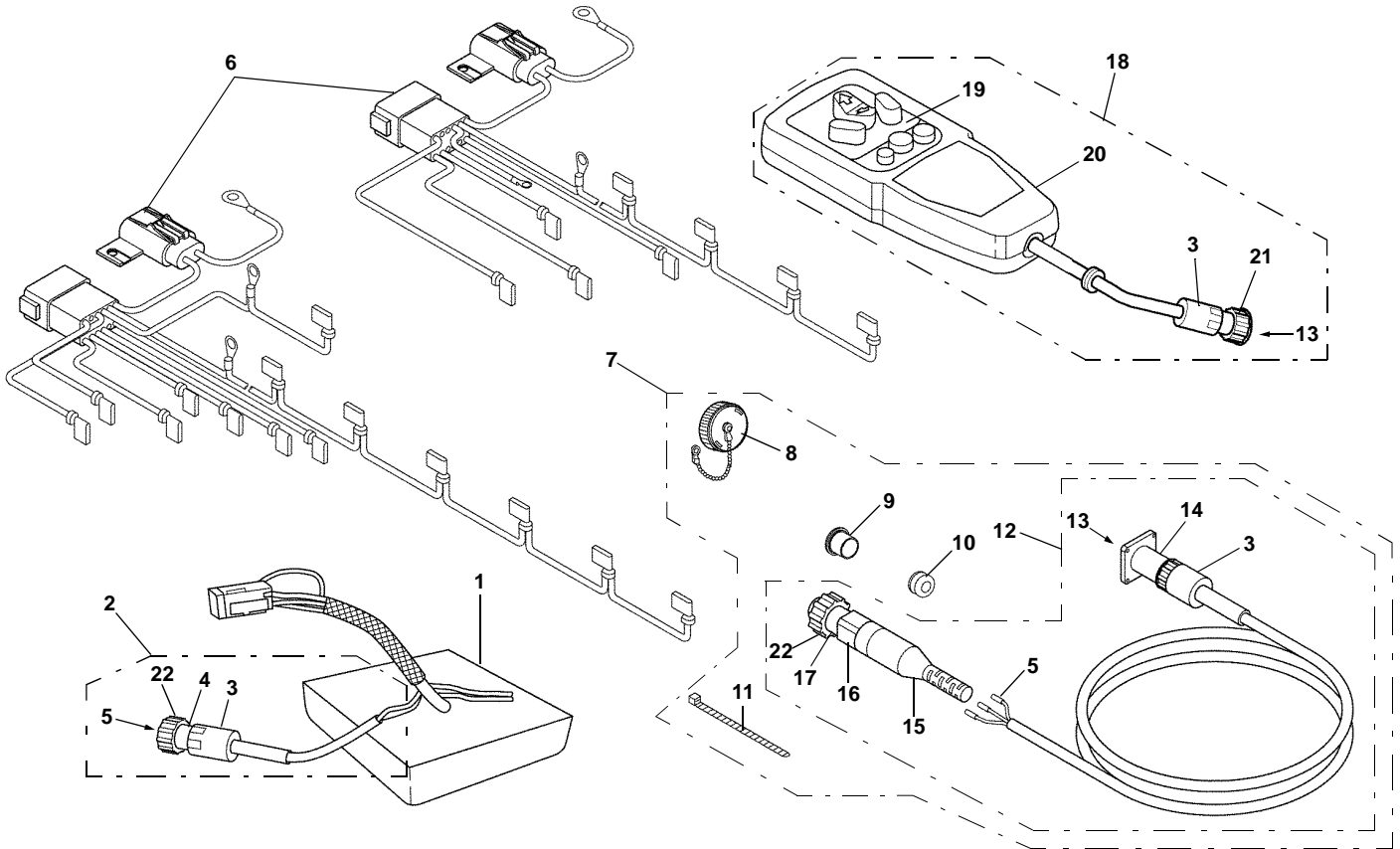
## PART DESCRIPTION ABBREVIATIONS

Our Part Descriptions use common industry standard abbreviations in the naming conventions for many individual items. The list below details the abbreviations commonly used throughout this manual. If a specific abbreviation is not listed, contact any Sno-Way Dealer for clarification.

ABBREV.	DESCRIPTION
BRKT	BRACKET
CB	CARRIAGE BOLT
CLP	CLEVIS PIN
COTP	COTTER PIN
DP	DOWN PRESSURE
DS	DRIVER SIDE
EB	EYE BOLT
GR	GRADE
HDWE	HARDWARE
HHCS	HEX HEAD CAP SCREW
HN	HEX NUT
HNILN	HEX NYLON INSERT LOCKNUT

ABBREV.	DESCRIPTION
HW	HARD WIRED
HWH	HEX WASHER HEAD
LN	LOCK NUT
LW	HELICAL LOCK WASHER
PS	PASSENGER SIDE
PW	PLAIN FLAT WASHER
SHCS	SOCKET HEAD CAP SCREW
SLT	SLOTTED
SS	STAINLESS STEEL
ST	SELF-THREADING
UB	U-BOLT
WL	WIRELESS

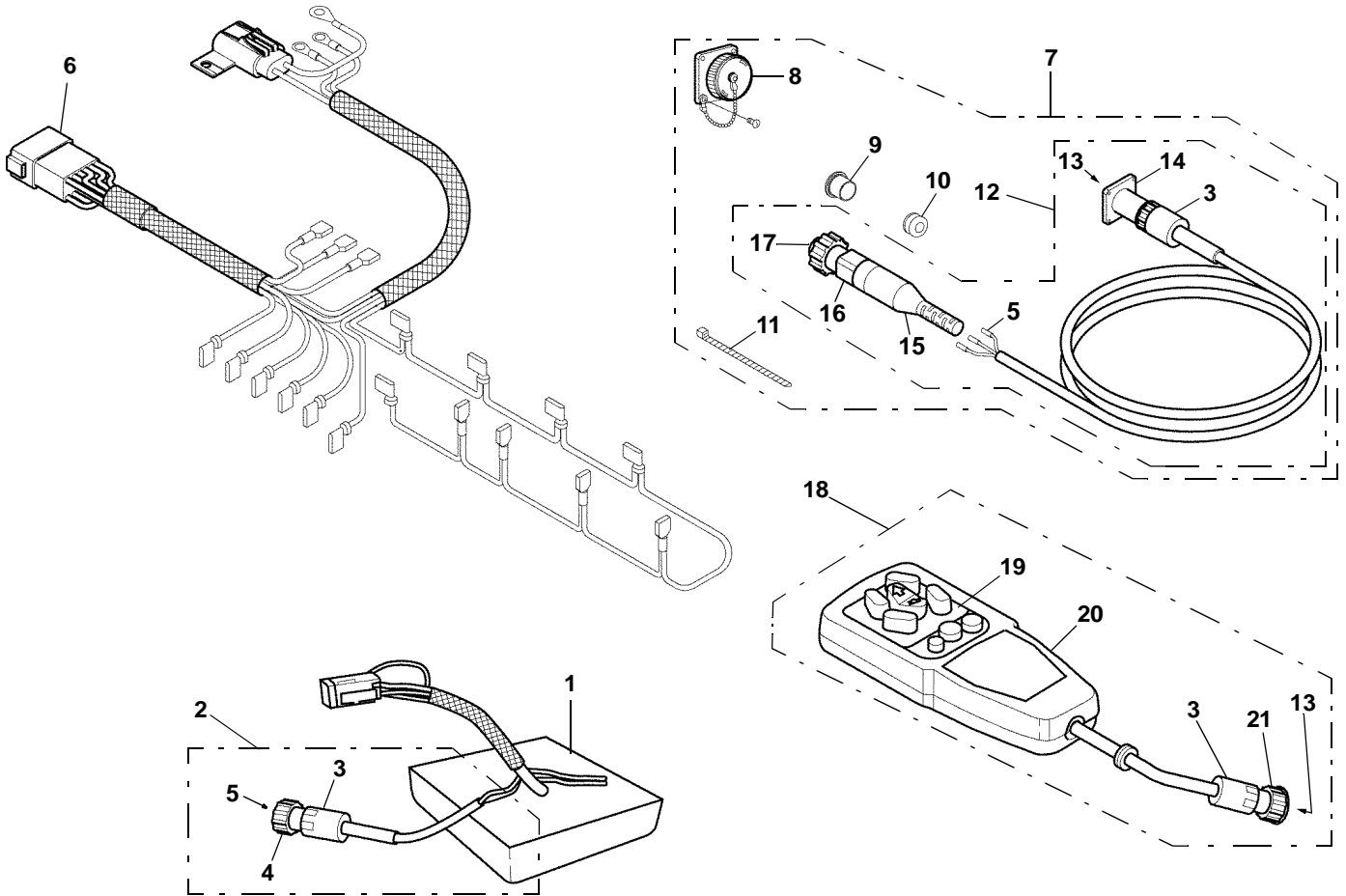
# CONTROL SYSTEM WIRING



# CONTROL SYSTEM WIRING

ITEM	PART NO.	DESCRIPTION	QTY
1	96105083	Module, Wired Control .....	1
2	96105487	Harness Repair Kit .....	1
3	96105709	Clamp, Cable .....	3
4	96105418	Connector, Plug.....	1
5	96105370	Contact, Signal Socket.....	6
6	96105131	Harness, Solenoids - Gravity Down .....	1
	96108247	Harness, Solenoids - Down Pressure .....	1
7	96105081	Bag, Harness Controls .....	1
8	96105300	Cap, Screw-On.....	1
9	96105284	Cap, 1/2" .....	1
10	96104893	Grommet, 5/16" ID .....	1
11		Strap, Plastic Tie .....	5
12	96105101	Harness, Vehicle .....	1
13	96105416	Contact, Signal Pin.....	6
14	96105710	Connector, Receptacle, Flanged .....	1
15	96105419	Boot, Cable .....	1
16	96105420	Grip, Cable .....	1
17	96105708	Connector, Plug, Unsealed .....	1
18	96107354	Controller Assembly, Wired .....	1
19	96107356	Touch Pad, Straight Blade .....	1
20	96105299	Housing, Controller, Complete .....	1
21	96105417	Connector, Receptacle .....	1
22	96106533	Coupling Ring.....	2
23	96105325	Insertion Tool for Circular Connectors (Not shown).....	1
24	96105404	Extraction Tool for Circular Connectors (Not shown) .....	1
25	96105877	Kit, Connector Repair (Not shown) (includes: (3) #3, (1) #4, (6) #5, (6) #13, (1) #14, (1) #15, (1) #16, (1) #17, (1) #21, (1) #24, (1) #25 .....	1

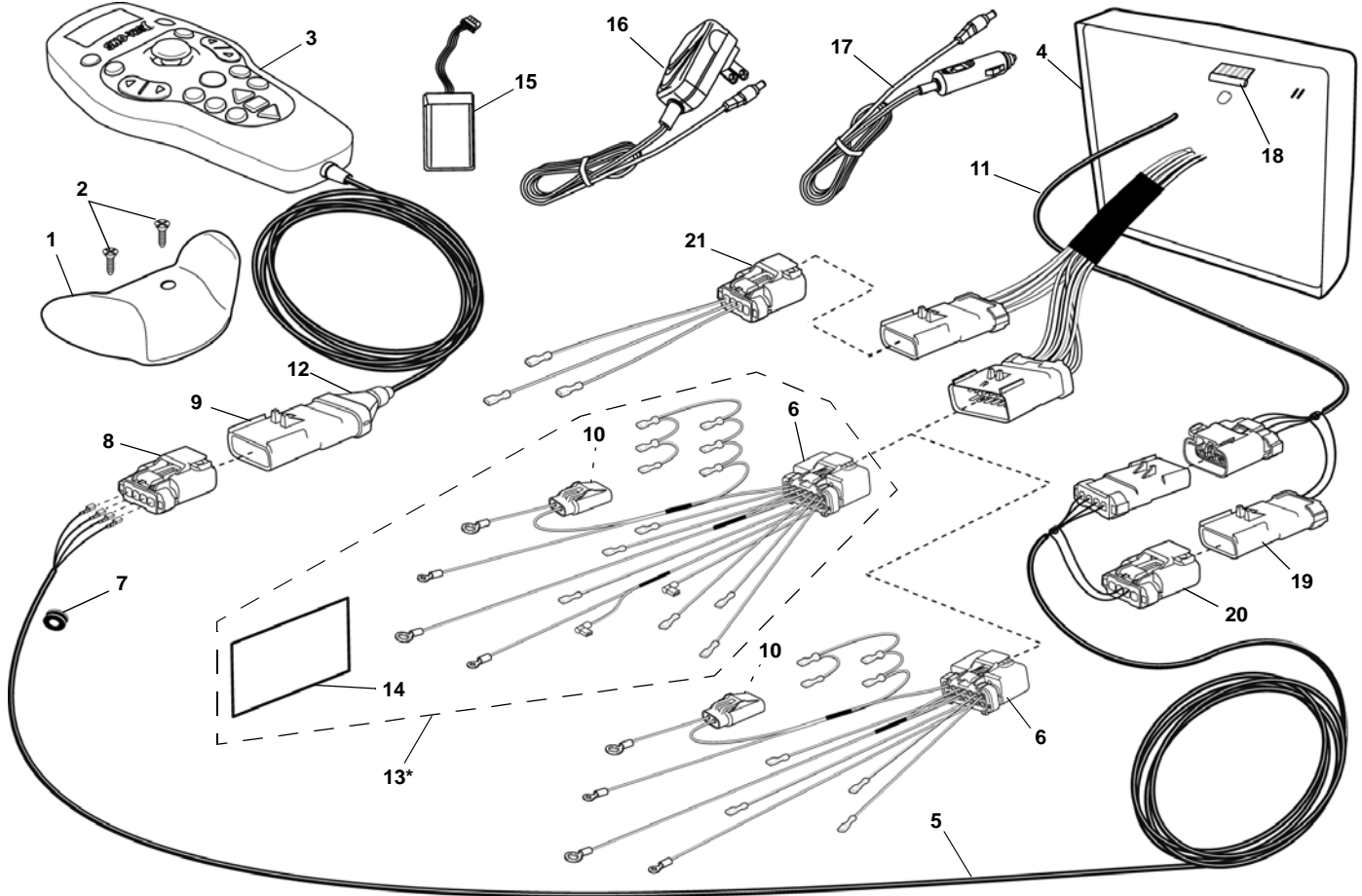
# CONTROL SYSTEM WIRING



# CONTROL SYSTEM WIRING

ITEM	PART NO.	DESCRIPTION	QTY
1	96105083	Module, Wired Control .....	1
2	96105487	Harness Repair Kit .....	1
3	96105709	Clamp, Cable .....	3
4	96105418	Connector, Plug.....	1
5	96105370	Contact, Signal Socket.....	6
6	96108295	Harness, Solenoids, DP .....	1
	96108294	Harness, Solenoids, Gravity.....	1
7	96105081	Bag, Harness Controls .....	1
8	96105300	Cap, Screw-On.....	1
9	96105284	Cap, 1/2" .....	1
10	96104893	Grommet, 5/16" ID .....	1
11		Strap, Plastic Tie .....	5
12	96105101	Harness, Vehicle .....	1
13	96105416	Contact, Signal Pin.....	6
14	96105710	Connector, Receptacle, Flanged .....	1
15	96105419	Boot, Cable .....	1
16	96105420	Grip, Cable .....	1
17	96105708	Connector, Plug, Unsealed .....	1
18	96104890	Controller Assembly .....	1
19	96104681	Touch Pad, V-Plow .....	1
20	96105299	Housing, Controller (Complete).....	1
21	96105417	Connector, Receptacle .....	1
22	96105325	Insertion Tool for Circular Connectors (not shown) .....	1
23	96105404	Extraction Tool for Circular Connectors (not shown).....	1
24	96107194	Controller, Joystick, V, Wired (not shown).....	1
25	96105877	Kit, Connector Repair (not shown) (includes (3) #3, (1) #4, (6) #5, (6) #13, (1) #14, (1) #15, (1) #16, (1) #17, (1) #21, (1) #22 & (1) #23.....	1

# PROCONTROL SYSTEM WIRING



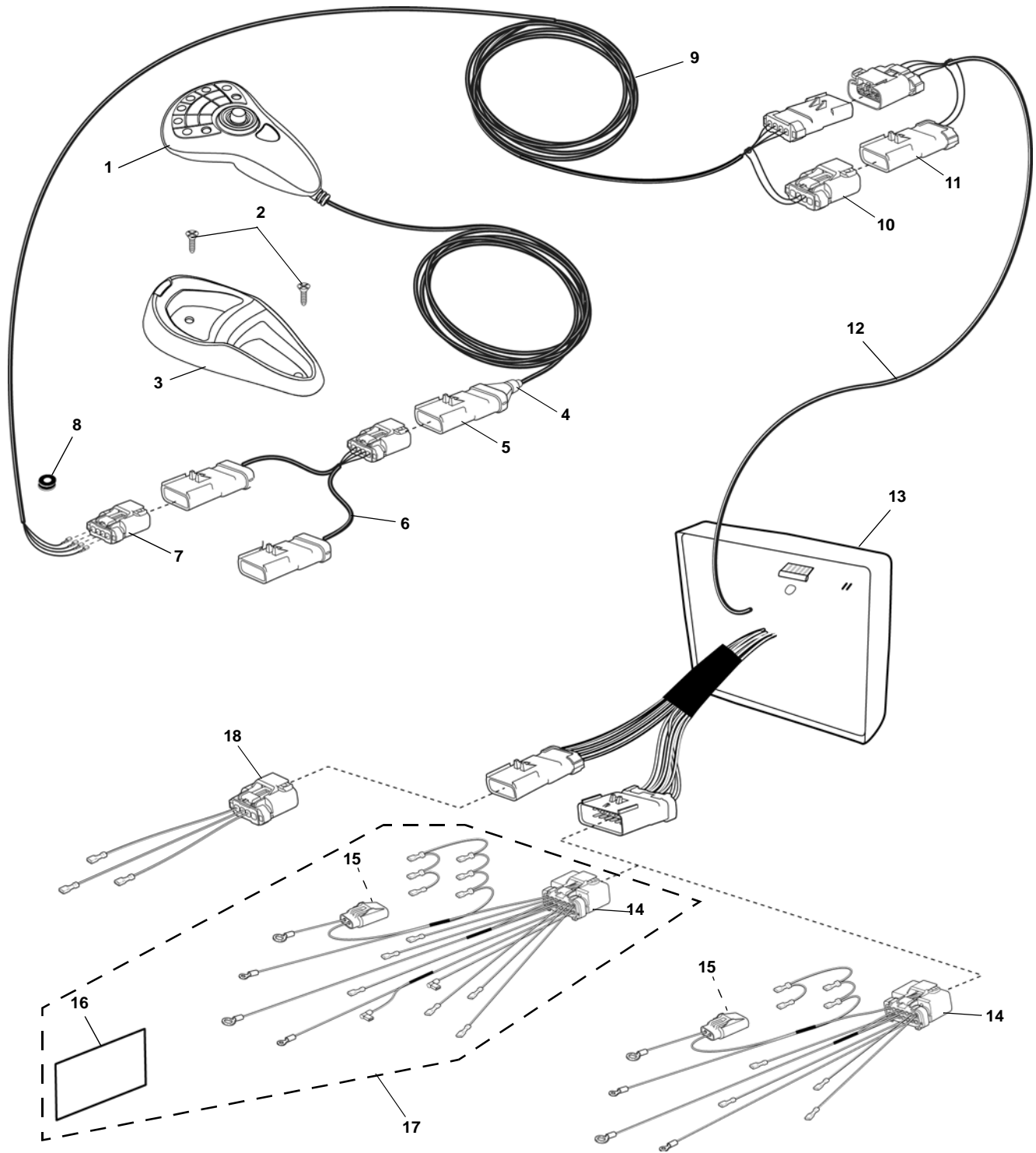


# PROCONTROL SYSTEM WIRING

ITEM	PART NO.	DESCRIPTION	QTY
1		Clip, Dash Mount.....	1
2	98100463	Screw .....	2
3	96112246	Transmitter, Wired.....	1
	96112244	Transmitter, Wireless.....	1
4	96112998	Module, Receiver, Wired, Universal .....	1
	96112260	Module, Receiver, Wireless, Universal.....	1
5	96112913	Harness, Vehicle .....	1
6	96112193	Harness, Control, Solenoid, Down Pressure (Straight Blades) .....	1
	96112191	Harness, Control, Solenoid, Down Pressure (29R - S.N. Before 29R100604 & MBR).....	1
	96114393	Harness, Control, Solenoid, Down Pressure (26R, 29R - S.N. After 29R100604, RevHD).....	1
		Harness, Control, Solenoid, Gravity Down (Order Kit #96112955) .....	1
	96112192	Harness, Control, Solenoidn (29VHD & MBV) .....	1
7	96112419	Rubber Grommet .....	1
8	96112300	Connector, Female 4 Way APEX .....	2
	96108662	Terminal, Female, 18/20 AWG (Qty: Four per connector; Not shown) .....	4
9	96112301	Connector, Male 4 Way APEX .....	2
	96108661	Terminal, Male, 18/22 AWG (Qty: Four per connector; Not shown) .....	4
10	96112496	Fuse, 10 AMP (Not shown - In holder) .....	1
	96112497	Fuse, 20 AMP (Not shown - In holder) (Used in 96112192 only) .....	1
11	96112931	Kit, Module Harness Repair, ProControl Wired (Not shown).....	1
12	96112840	Strain Relief.....	1
13	96112955*	Kit Upgrade, Solenoid Harness, ProControl (Includes Harness, Decal & Instructions) .....	1
	96113731*	Kit Upgrade, Solenoid Harness, ProControl (28V only) (Includes Harness, Decal & Instructions) .....	1
14		Decal, DP System, ProControl.....	1
15	96112258	Battery, Wireless .....	1
16	96113316	Wall Charger, ProControl, 120VAC .....	1
17	96112376	Car Charger, ProControl, 12VDC .....	1
18	96112985	Cap, Silicone .....	1
19	96112872	Cap, Storage, Male .....	1
20	96112871	Cap, Storage, Female .....	1
21	96112229	Harness, Power Unit, 4-Way (29R -S.N. Before 29R100604, 29VHD, MBV, MBR).....	1
	96114394	Harness, Power Unit, 4-Way (26R, 29R -S.N. After 29R100604, RevHD).....	1

\*Kit will upgrade Legacy DP or Gravity units. A ProControl system package must also be ordered to use this kit.

# PROCONTROL II SYSTEM WIRING



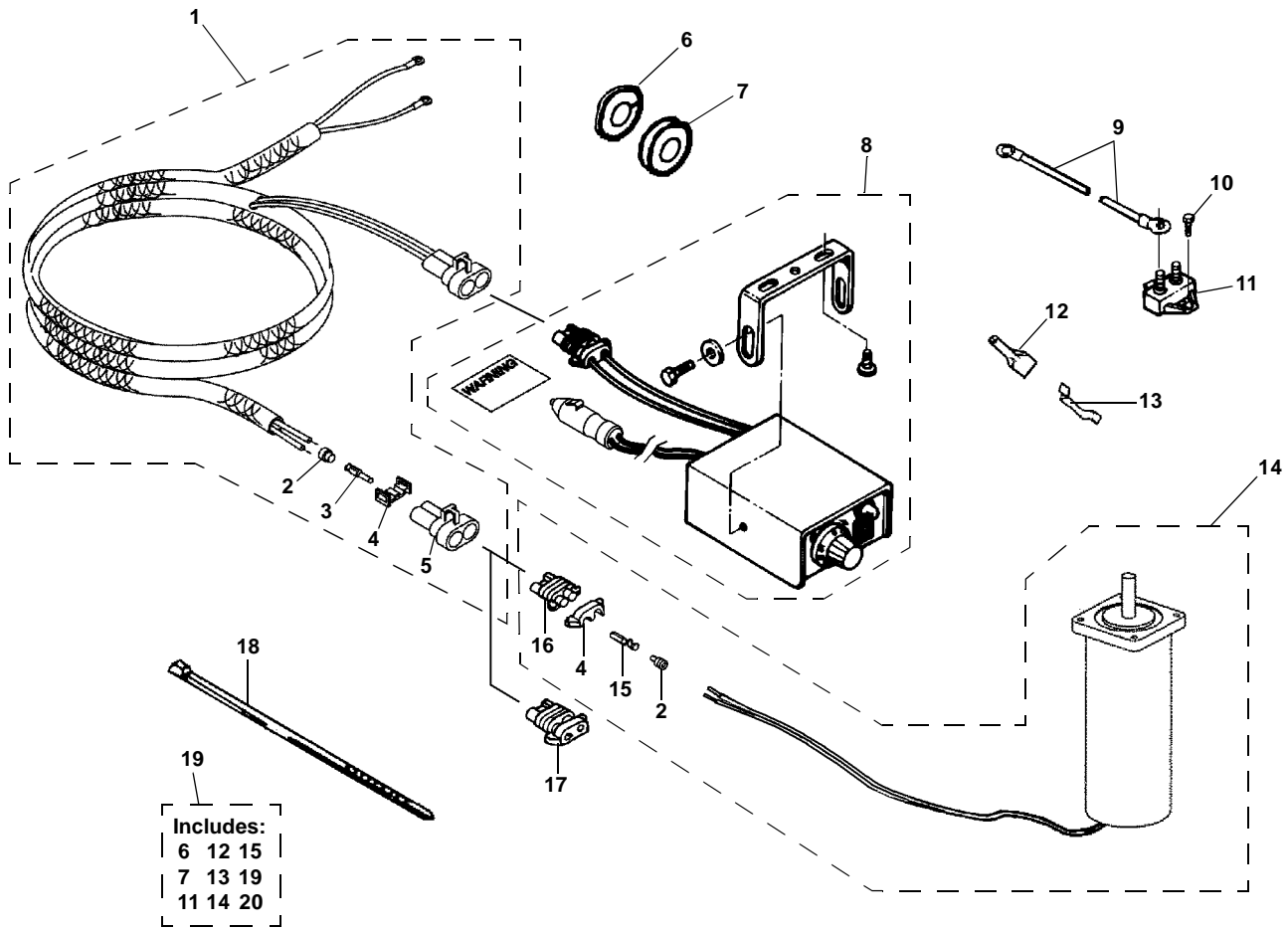
# PROCONTROL II SYSTEM WIRING

ITEM	PART NO.	DESCRIPTION	QTY
1	96114035	Transmitter, Wired .....	1
2	98100463	Screw .....	2
3	96114128	Base, Docking .....	1
4	96112840	Strain Relief .....	1
5	96112301	Connector, Male, 4 Way APEX1	
	96108661	Terminal, Male, 18/20 AWG (Not shown) .....	1
6	96114863	Harness, Splitter (If equipped with a Sno-Way Plow and Spreader).....	1
7	96112300	Connector, Female, 4 Way APEX1	
	96108662	Terminal, Female, 18/20 AWG (Not shown) .....	1
8	96112419	Rubber Grommet .....	1
9	96112913	Harness, Vehicle .....	1
10	96112871	Cap, Storage, Female .....	1
11	96112872	Cap, Storage, Male .....	1
12	96112931	Kit, Module Harness Repair, ProControl WIred (Not shown) .....	1
13	96114031	Module, Reveiver, Wired, Universal .....	1
14	96112193	Harness, Control, Solenoid, Down Pressure (Straight Blades) .....	1
	96112191	Harness, Control, Solenoid, Down Pressure (29R - S.N. Before 29R100604 & MBR).....	1
	96114393	Harness, Control, Solenoid, Down Pressure (26R, 29R - S.N. After 29R100604, RevHD).....	1
		Harness, Control, Solenoid, Gravity Down (Order Kit #96112955).....	1
	96112192	Harness, Control, Solenoidn (29VHD & MBV) .....	1
15	96112496	Fuse, 10 AMP (Not shown - In holder) .....	1
	96112497	Fuse, 20 AMP (Not shown - In holder) (Used in 96112192 only) .....	1
16		Decal, DP System .....	1
17	96112955*	Kit Upgrade, Solenoid Harness, ProControl (Includes Harness, Decal & Instructions) .....	1
	96113731*	Kit Upgrade, Solenoid Harness, ProControl (28V only) (Includes Harness, Decal & Instructions) .....	1
18	96112229	Harness, Power Unit, 4-Way (29R -S.N. Before 29R100604, 29VHD, MBV, MBR).....	1
	96114394	Harness, Power Unit, 4-Way (26R, 29R -S.N. After 29R100604, RevHD).....	1

\*Kit will upgrade Legacy DP or Gravity units. A ProControl system package must also be ordered to use this kit.

# VARIABLE CONTROL

## 4, 6 & 9 cu. ft. Spreaders



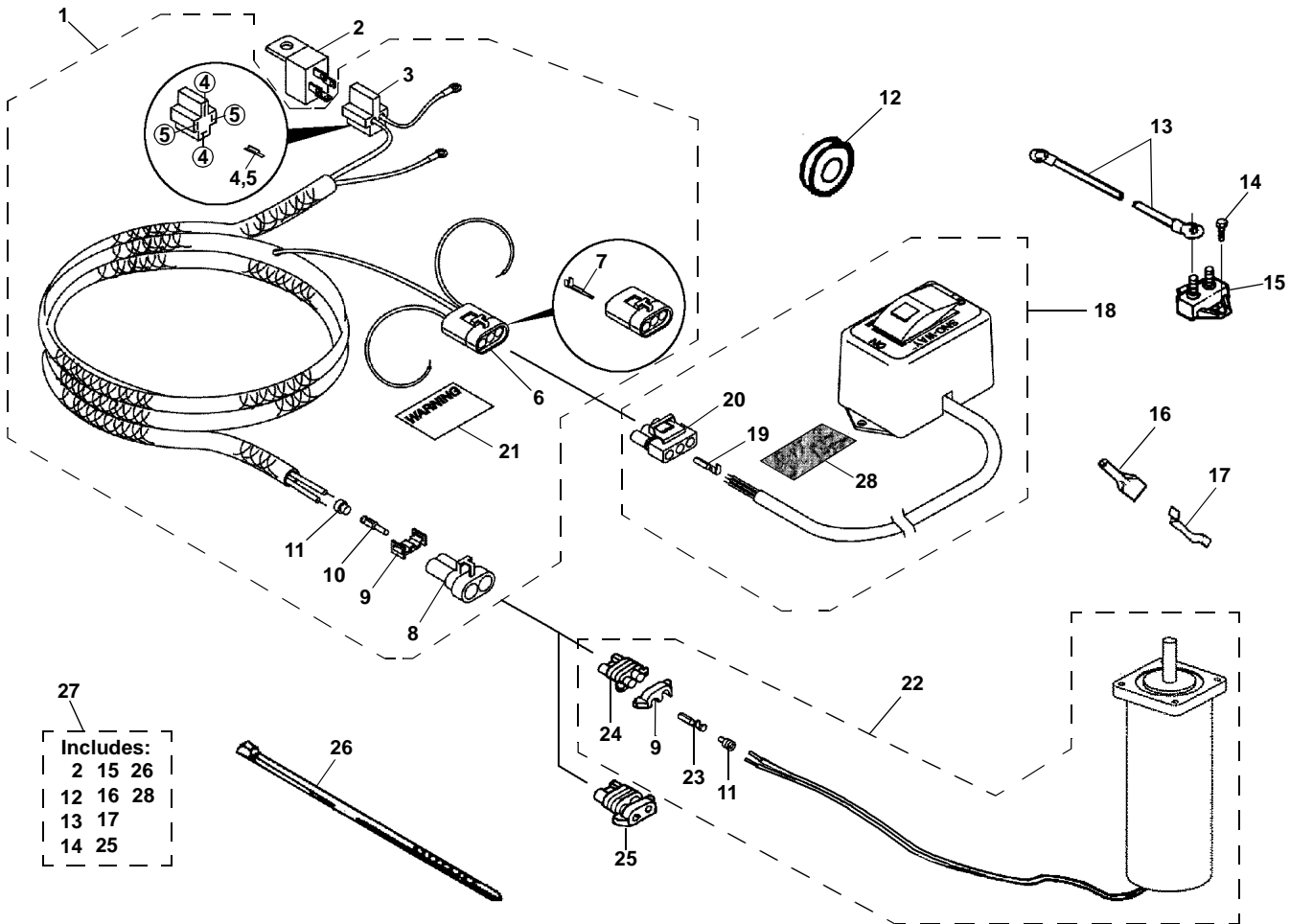
# VARIABLE CONTROL 4, 6 & 9 cu. ft. Spreaders

ITEM	PART NO.	DESCRIPTION	QTY
1	96102293	Harness, Variable Control .....	1
2	96114755	Seal .....	8
3	96102442	Terminal, Male .....	4
4	96102418	Lock, Secondary .....	4
5	96102441	Connector, Male .....	2
6	96101846	Seal, Neoprene .....	1
7	96002077	Grommet, 3/4" .....	1
8	96104104	Controller, Variable (Controller SN 010175 & later shown <b>SEE NOTE</b> ) .....	1
9	96102362	Wire, Power .....	1
10	98100037	Screw, Self Tapping #10 x 1" .....	2
11	96102344	Breaker, Circuit, 40A .....	1
12	96002085	Terminal, 1/4", Female Push-On .....	1
	96101845	Connector, Female .....	1
13	96002083	Tap, 1/4", ATC/ATO Fuse .....	1
	96101832	Tap, 1/4", Mini Fuse .....	1
14		Motor (See Spreader Service Parts Manual - 97101927) .....	1
15	96102347	Terminal, Female .....	4
16	96102346	Connector, Female .....	2
17	96102417	Cap, Storage .....	1
18		Tie, Cable .....	5
19	96102310	Bag of Parts (Variable Control) .....	1

**NOTE: Variable Controllers with serial numbers before 010175 were not equipped with disconnect protection or cigarette lighter adapter power connection. Variable Controllers with these improvements are backwards compatible and can be purchased as service replacements for older controllers.**

# ON/OFF CONTROL

## 4, 6 & 9 cu. ft. Spreaders

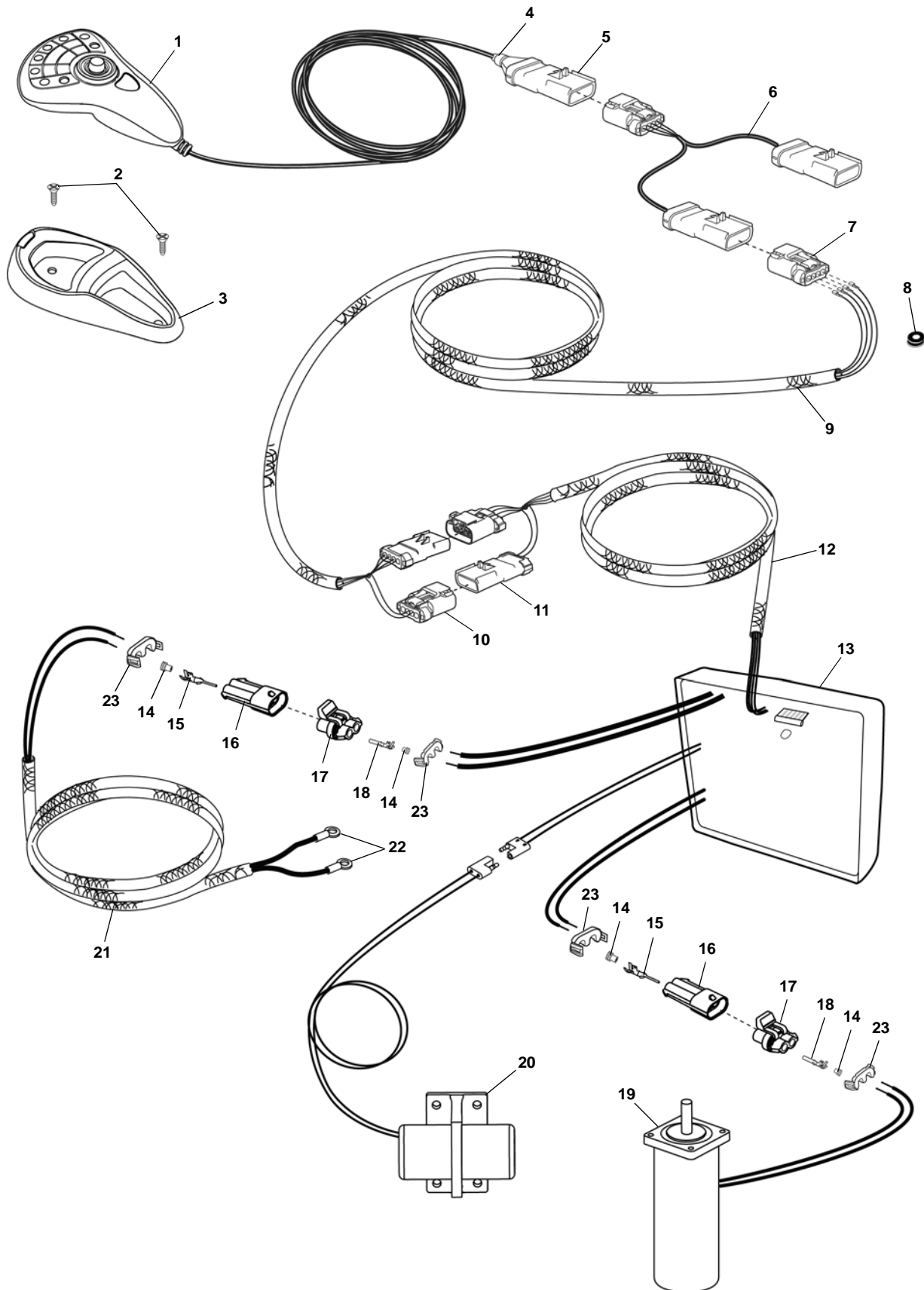


## ON/OFF CONTROL 4, 6 & 9 cu. ft. Spreaders

ITEM	PART NO.	DESCRIPTION	QTY
1	96105890	Harness, On/Off Control.....	1
2	96105891	Relay, 70A.....	1
3	96105946	Connector, Harness Relay .....	1
4	96105947	Terminal, Female, 10-12 AWG, Relay .....	2
5	96105948	Terminal, Female, 12-16 AWG, Relay .....	2
6	96105940	Connector, Male .....	1
7	96105942	Terminal, Male Pin.....	3
8	96102441	Connector, Male .....	1
9	96102418	Lock, Secondary .....	2
10	96102442	Terminal, Male.....	2
11	96114755	Seal .....	4
12	96104893	Grommet, 1/2" I.D. ....	1
13	96102362	Wire, Power.....	1
14	98100037	Screw, Self Tapping #10 x 1".....	2
15	96105893	Breaker, Circuit, 25A .....	1
16	96002085	Terminal, 1/4", Female Push-On .....	1
	96101845	Connector, Female.....	1
17	96002083	Tap, 1/4", ATC/ATO Fuse .....	1
	96101832	Tap, 1/4", Mini Fuse.....	1
18	96105793	Controller, On/Off .....	1
19	96105943	Terminal, Female.....	2
20	96105941	Connector, Female.....	1
21		Decal, Warning .....	1
22		Motor (See Spreader Service Parts Manual - 97101927) .....	1
23	96102347	Terminal, Female.....	2
24	96102346	Connector, Female.....	1
25	96102417	Cap, Storage .....	1
26		Tie, Cable .....	5
27	96105908	Bag of Parts (On/Off Control) .....	1
28		Strip, Hook and Loop Fastener .....	1

# PROCONTROL II CONTROL

## 4, 6 & 9 cu. ft. Spreaders



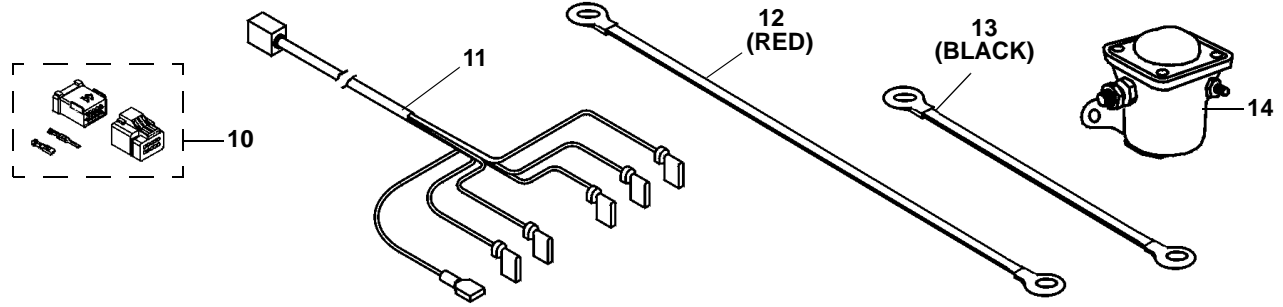
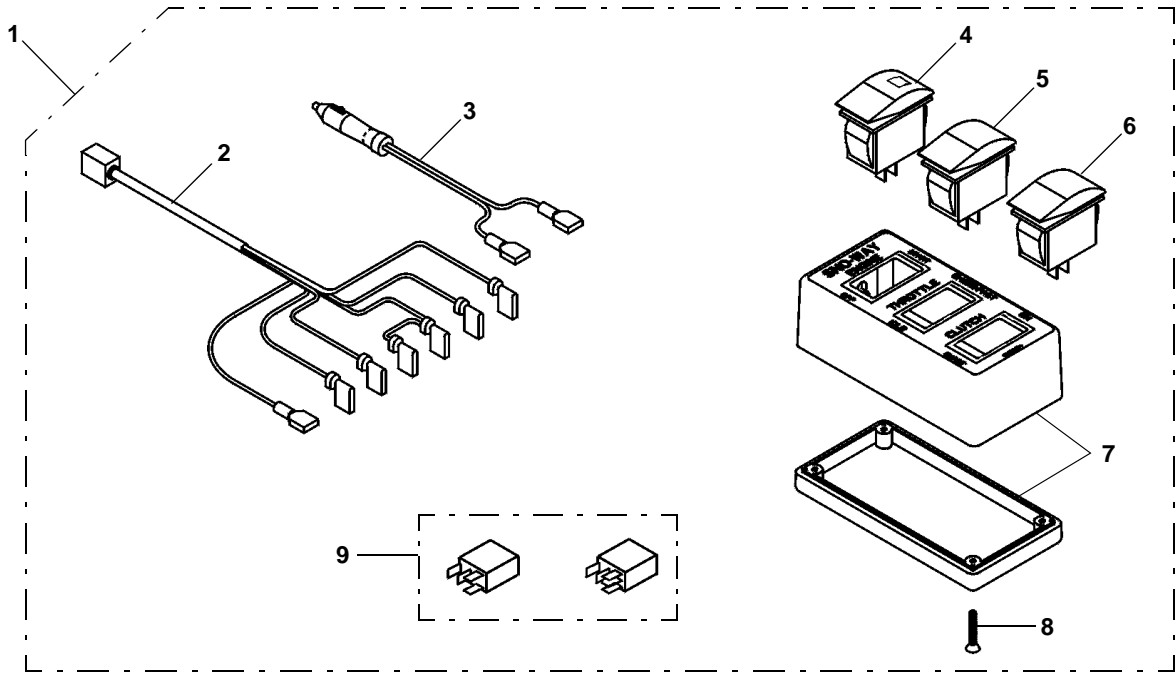


## PROCONTROL II CONTROL 4, 6 & 9 cu. ft. Spreaders

ITEM	PART NO.	DESCRIPTION	QTY
1	96114035	Transmitter, Wired .....	1
2	98100463	Screw .....	2
3	96114128	Base, Docking .....	1
4	96112840	Strain Relief .....	1
5	96112301	Connector, Apex Male, 4-Way .....	3
6	96114863	Harness, Splitter (If equipped with Sno-Way Plow & Spreader) .....	1
7	96112300	Connector, Apex Female, 4-Way .....	2
	96108662	Terminal, Female, 18/20 AWG (QTY: Four per connector; Not shown) .....	12
8	96112419	Grommet, Rubber .....	1
9	96114862	Harness, Vehicle, Spreader .....	1
10	96112871	Cap, Storage, Female .....	1
11	96112872	Cap, Storage, Male .....	1
12	96112931	Kit, Module Harness Repair, ProControl Wired (Not shown) .....	1
13	96114033	Module, Receiver, Wired, Spreader .....	1
14	96114755	Seal .....	4
15	96102442	Terminal, Male .....	4
16	96102441	Connector, Male, 2-Pin .....	2
17	96102346	Connector, Female, 2-Pin .....	2
18	96102347	Terminal, Female .....	4
19		Motor, Spinner (See Note) .....	1
20		Vibrator (Optional Accessory) .....	1
21	96115356	Harness, Power, Spreader .....	1
22	96115358	Terminal, Ring, 3/8" .....	2
23	96102418	Lock, Secondary .....	4

NOTE: See Spreader Service Parts Manual - 97101927

# CAB CONTROL V-Box Gas Spreaders

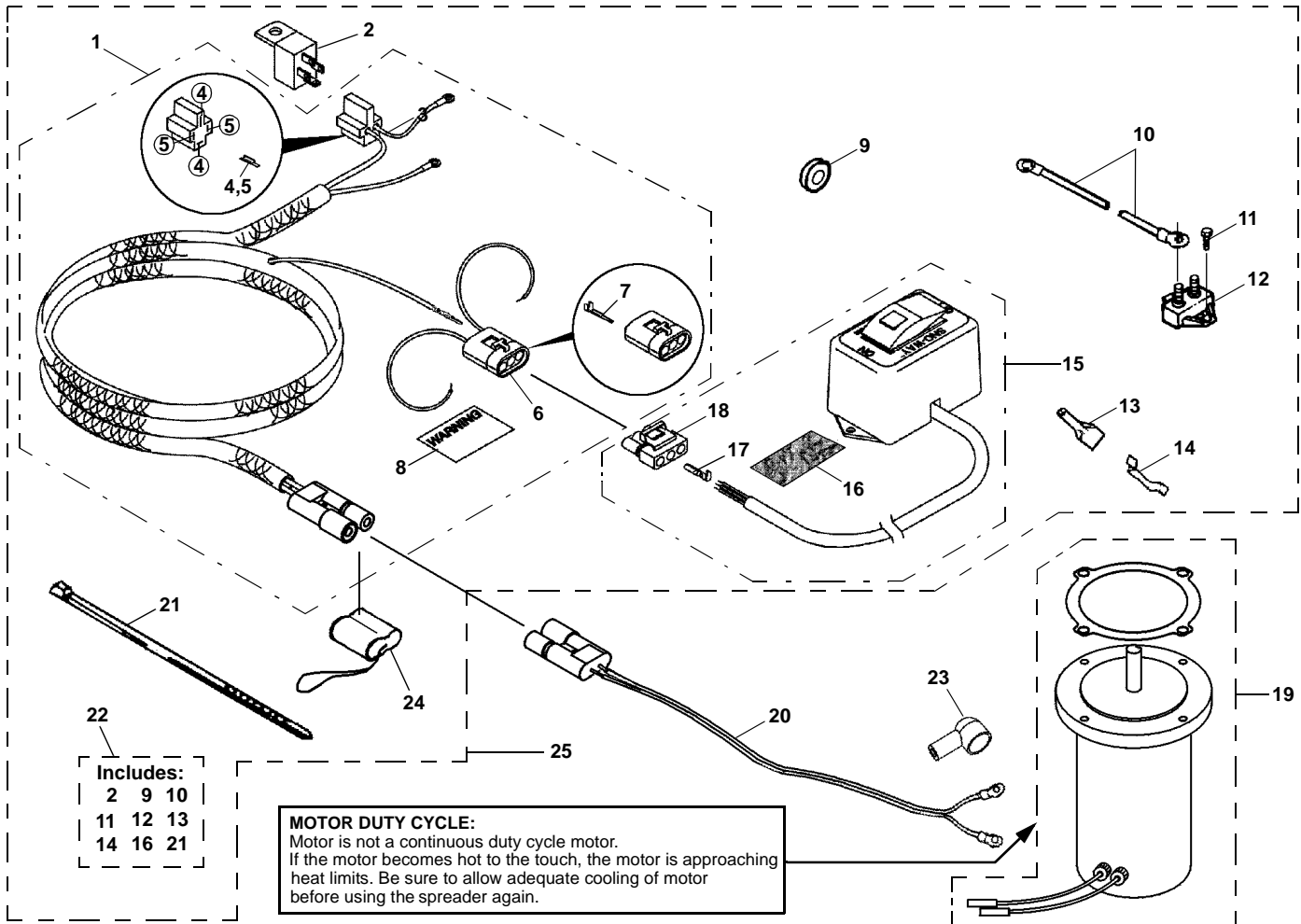


# CAB CONTROL V-Box Gas Spreaders

ITEM	PART NO.	DESCRIPTION	QTY
1	99100555	Controller Assembly .....	1
2	96108645	Harness, Main Section, 15 Feet .....	1
3	96106025	Harness, Cigarette Lighter Lead .....	1
4	96105926	Switch, On/Off/Starter, Illuminated .....	1
5	96107113	Switch, Throttle, Intermittent .....	1
6	96102480	Switch, Clutch, Intermittent .....	1
7	96106095	Cover, Plastic Housing .....	1
8		Screw .....	1
9	96106846	Kit, Micro-Relay .....	1
10	96109135	Kit, Connector Repair (includes connectors and terminals) .....	1
11	96108646	Harness, Spreader, 8 Feet .....	1
12	96107143	Positive Lead, Battery-Starter, Honda .....	1
	96107144	Positive Lead, Battery-Starter, Briggs.....	1
13	96107142	Negative Lead, Battery .....	1
14	96105042	Start Solenoid .....	1

\* If Harness Has Molded Connectors, Purchase Connector Repair Kit (#10) For Connector or Terminal Repair.

# ON/OFF CONTROL V-Box Spreaders



## ON/OFF CONTROL V-Box Spreaders

ITEM	PART NO.	DESCRIPTION	QTY
1	96106630	Harness, On/Off Control.....	1
2	96105891	Relay, 70A.....	1
3	96105946	Connector, Harness Relay .....	1
4	96105947	Terminal, Female, 10-12 AWG, Relay .....	2
5	96105948	Terminal, Female, 12-16 AWG, Relay .....	2
6	96105940	Connector, Male .....	1
7	96105942	Terminal, Male Pin.....	3
8		Decal, Warning .....	1
9	96104893	Grommet, 1/2" dia. ....	1
10	96106728	Wire, Power.....	1
11	98100037	Screw, Self Tapping #10 x 1".....	2
12	96102344	Breaker, Circuit, 40A .....	1
13	96002085	Terminal, 1/4", Female Push-On .....	1
	96101845	Connector, Female.....	1
14	96002083	Tap, 1/4", ATC/ATO Fuse .....	1
	96101832	Tap, 1/4", Mini Fuse.....	1
15	96105793	Controller, On/Off .....	1
16		Strip, Hook and Loop Fastener .....	1
17	96105943	Terminal, Female.....	2
18	96105941	Connector, Female.....	1
19	96111764	Motor, Electric, 1/2 HP (See Note) .....	1
20	96106628	Harness, Motor.....	1
21		Tie, Cable .....	5
22	96106729	Bag of Parts (On/Off Control) .....	1
23	96106374	Boot, Cable (use with ring terminal connection).....	1
24	96105082	Cap Cover, Harness End .....	1
25	99100621	Package, Electric Spreader Harness .....	1

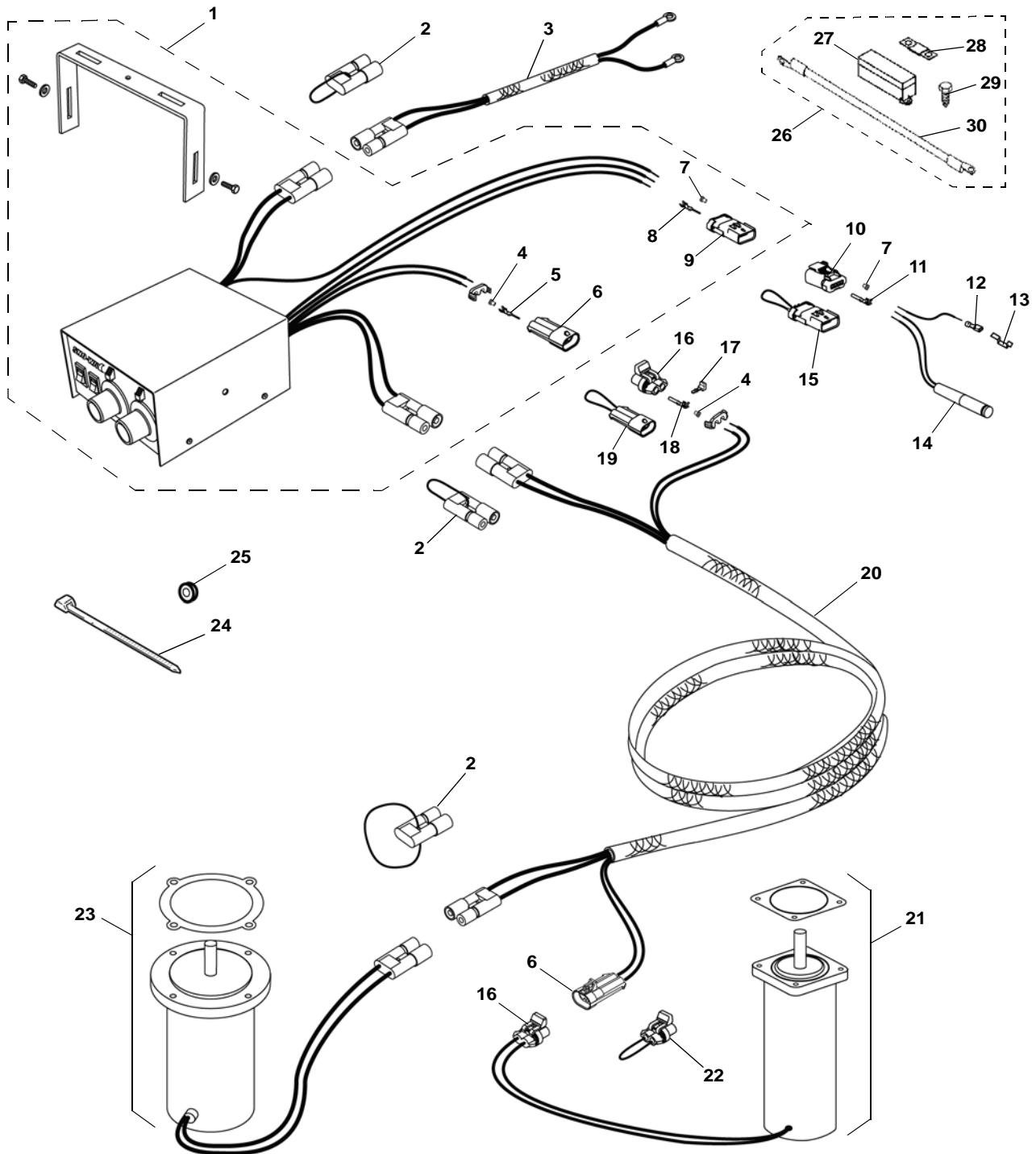
**NOTE:**

See Spreader Service Parts Manual:

97100701 - V-Box Gas & Electric Spreader Units

97101235 - V-Box Electric 16 Gauge Spreader Units

# DUAL VARIABLE CONTROL V-Box Electric Spreaders



**MOTOR DUTY CYCLE:**

Motors (#21 and #23) are not continuous duty cycle motors. If a motor becomes hot to the touch, the motor is approaching heat limits. Be sure to allow adequate cooling of motor before using the spreader again.

# DUAL VARIABLE CONTROL V-Box Electric Spreaders

ITEM	PART NO.	DESCRIPTION	QTY
1	96115024	Control, Dual Electric, V-Box.....	1
2	96105082	Cap Cover, Harness End .....	3
3	96113421	Harness, Battery, DEVBX.....	1
4	96114755	Seal .....	8
5	96102442	Terminal, Male .....	4
6	90102441	Connector, Male .....	2
7	96108142	Plug, Cavity .....	2
8	96108661	Terminal, Male .....	3
9	96112301	Connector, Male, 4-Way .....	1
10	96112300	Connector, Female, 4-Way.....	1
11	96108662	Terminal, Female.....	3
12	96113111	Connector, Flat Blade, Female, 1/4" .....	1
13	96002083	Tap, ATC/ATO Fuse, 1/4" .....	1
	96101832	Tap, Mini Fuse, 3/16" .....	1
14	96115368	Vibrator Light Kit.....	1
15	96112872	Cap, Apex, 4-Way, Male.....	1
16	96102346	Connector, Female. 2-Pin .....	2
17	96102418	Secondary Lock .....	2
18	96102347	Terminal, Female.....	4
19	96115129	Cap, Metri Pack, 2-Way, Male .....	1
20	96114865	Harness, Main DEV .....	1
21	96113295	Motor, Electric, 1/3 HP (See Note) .....	1
22	96115130	Cap, Metri Pack, 2-Way, Female.....	1
23	96111764	Motor, Conveyor Feed, 1/2 HP (See Note) .....	1
24		Tie, Cable .....	10
25	96104893	Grommet .....	1
26	96115623	Bag, Power Harness Parts .....	1
27	96109143	Fuse Holder.....	1
28	96109141	Fuse, 150 Amp .....	1
29	98100037	Screw, Self-Tapping, #10-16 x 1" .....	2
30	96115624	Cable, Power.....	1

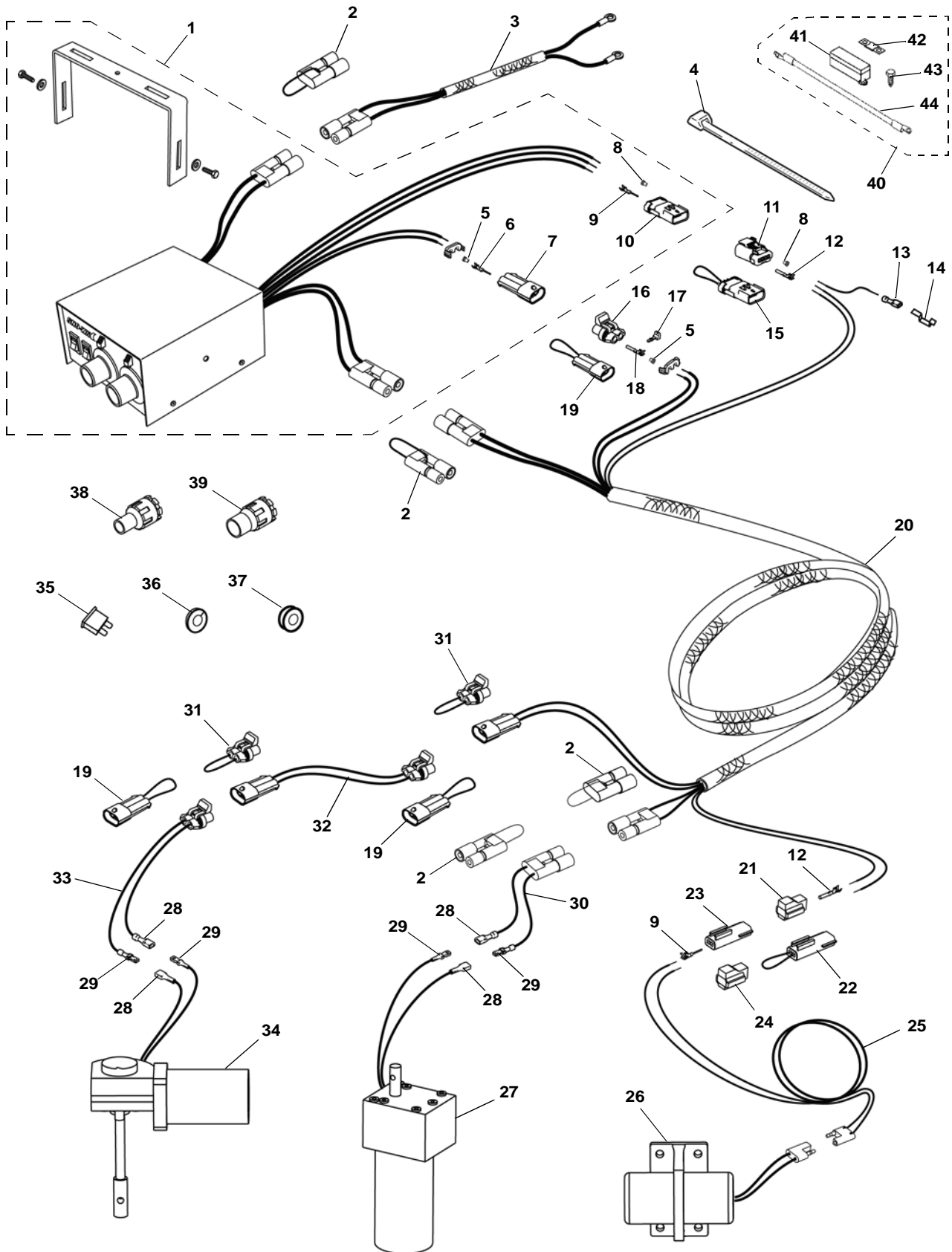
**NOTE:**

See Spreader Service Parts Manual:

97100701 - V-Box Gas & Electric Spreader Units

97101235 - V-Box Electric 16 Gauge Spreader Units

# DUAL VARIABLE CONTROL PDE Series Spreaders





# DUAL VARIABLE CONTROL PDE Series Spreaders

ITEM	PART NO.	DESCRIPTION	QTY
1	96115022	Control, PDE, V-Box.....	1
2	96105082	Cap, Protective.....	4
3	96113421	Harness, Battery, DEVBX.....	1
4		Tie, Cable, Black, 11" .....	5
5	96114755	Seal .....	8
6	96102442	Terminal, Male .....	4
7	90102441	Connector, Male .....	2
8	96108142	Plug, Cavity .....	2
9	96108661	Terminal, Male .....	3
10	96112301	Connector, Male, 4-Way .....	1
11	96112300	Connector, Female, 4-Way.....	1
12	96108662	Terminal, Female.....	5
13	96002085	Terminal, Female, Push On, 1/4" .....	1
14	96101832	Tap, Fuse .....	1
15	96112872	Cap, Apex, 4-Way, Male.....	1
16	96102346	Connector, Female. 2-Pin .....	2
17	96102418	Secondary Lock .....	2
18	96102347	Terminal, Female.....	4
19	96115129	Cap, Metri Pack, 2-Way, Male .....	3
20	96114865	Harness, Main DEV.....	1
21	96112731	Connector Body, Female, 2-Way .....	1
22	96115131	Cap, Apex, 2-Way, Male.....	1
23	96112730	Connector Body, Male, 2-Way.....	1
24	96115133	Cap, Apex, 2-Way, Female .....	1
25	96115347	Harness, Vibrator Loop (See Note 1) .....	1
26		Vibrator, 200 LB/S (See Note 2).....	1
27		Motor, Auger Drive (See Note 2).....	1
28	96113111	Flat Blade Connector, Female, 1/4" .....	8
29	96114970	Flat Blade Connector, Male 1/4".....	8
30	96115137	Harness, Auger Loop (See Note 1).....	1
31	96115130	Cap, Metri Pack, 2-Way, Female.....	2
32	96115348	Harness, Spinner Loop (See Note 1) .....	1
33	96114866	Harness, Spinner Motor (Chute) .....	1
34		Motor, Spinner (See Note 2).....	1
35	96002083	Fuse .....	1
36	96101846	Seal, Neoprene .....	1
37	96002077	Grommet, Rubber, 3/4" .....	1
38	96114958	Strain Relief, Small.....	1
39	96114957	Strain Relief, Large.....	1
40	96115623	Bag, Power Harness Parts.....	1
41	96109143	Fuse Holder.....	1
42	96109141	Fuse, 150 Amp.....	1
43	98100037	Screw, Self-Tapping, #10-16 x 1" .....	2
44	96115624	Cable, Power.....	1

**NOTE:**

- 1) If items #25, 30 or 32 are replaced, the heat-shrinkable strain reliefs (#39 and 40) must also be replaced.
- 2) See Spreader Service Parts Manual - 97101880.

# NUMERICAL INDEX

PART NO.	PAGE	ITEM	PART NO.	PAGE	ITEM	PART NO.	PAGE	ITEM
90102441	22	6		14	10	96105708	4	17
	24	7		16	15		6	17
96002077	12	7		22	5	96105709	4	3
	24	37		24	6		6	3
96002083	12	13	96102480	18	6	96105710	4	14
	14	17	96104104	12	8		6	14
	20	14	96104681	6	19	96105793	14	18
	22	13	96104890	6	18		20	15
	24	35	96104893	4	10	96105877	4	25
96002085	12	12		6	10		6	25
	14	16		14	12	96105890	14	1
	20	13		20	9	96105891	14	2
	24	13		22	25		20	2
96101832	12	13	96105042	18	14	96105893	14	15
	14	17	96105081	4	7	96105908	14	27
	20	14		6	7	96105926	18	4
	22	13	96105082	20	24	96105940	14	6
	24	14		22	2		20	6
96101845	12	12		24	2	96105941	14	20
	14	16	96105083	4	1		20	18
	20	13		6	1	96105942	14	7
96101846	12	6	96105101	4	12		20	7
	24	36		6	12	96105943	14	19
96102293	12	1	96105131	4	6		20	17
96102310	12	19	96105284	4	9	96105946	14	3
96102344	12	11		6	9		20	3
	20	12	96105299	4	20	96105947	14	4
96102346	12	16		6	20		20	4
	14	24	96105300	4	8	96105948	14	5
	16	17		6	8		20	5
	22	16	96105325	4	23	96106025	18	3
	24	16		6	22	96106095	18	7
96102347	12	15	96105370	4	5	96106374	20	23
	14	23		6	5	96106533	4	22
	16	18	96105404	4	24	96106628	20	20
	22	18		6	23	96106630	20	1
	24	18	96105416	4	13	96106728	20	10
96102362	12	9		6	13	96106729	20	22
	14	13	96105417	4	21	96106846	18	9
96102417	12	17		6	21	96107113	18	5
	14	25	96105418	4	4	96107142	18	13
96102418	12	4		6	4	96107143	18	12
	14	9	96105419	4	15	96107144	18	12
	16	23		6	15	96107194	6	24
	22	17	96105420	4	16	96107354	4	18
	24	17		6	16	96107356	4	19
96102441	12	5	96105487	4	2			
	14	8		6	2			
	16	16						
96102442	12	3						

# NUMERICAL INDEX

PART NO.	PAGE	ITEM	PART NO.	PAGE	ITEM	PART NO.	PAGE	ITEM
96108142	22	7		16	8		22	4
	24	8					24	5
96108247	4	6	96112496	8	10	96114862	16	9
96108294	6	6		10	15		10	6
96108295	6	6	96112497	8	10	96114863	16	6
96108645	18	2		10	15		16	6
96108646	18	11	96112730	24	23	96114865	22	20
96108661	8	9		24	21		24	20
	10	5	96112731	8	12	96114866	24	33
	22	8		10	4	96114957	24	39
	24	9	96112840	16	4	96114958	24	38
				8	20	96114970	24	29
96108662	8	8	96112871	10	10	96115022	24	1
	10	7		16	10	96115024	22	1
	16	7	96112872	8	19	96115129	22	19
	22	11		10	11		24	19
	24	12		16	11			
96109135	18	10		22	15	96115130	22	22
96109141	22	28		24	15		24	31
	24	42	96112913	8	5	96115131	24	22
96109143	22	27		10	9	96115133	24	24
	24	41	96112931	8	11	96115137	24	30
				10	12	96115347	24	25
96111764	20	19		16	12	96115348	24	32
	22	23	96112955	8	13	96115356	16	21
96112191	8	6		10	17	96115358	16	22
	10	14	96112985	8	18	96115368	22	14
96112192	8	6		8	4	96115623	22	26
	10	14	96112998	22	12		24	40
96112193	8	6		24	28	96115624	22	30
	10	14	96113295	22	21		24	44
96112229	8	21		8	16			
	10	18	96113316	22	3	98100037	12	10
96112244	8	3		24	3		14	14
96112246	8	3	96113421	8	13		20	11
96112258	8	15		10	17		22	29
96112260	8	4	96113731	10	17		24	43
96112300	8	8		10	13	98100463	8	2
	10	7	96114031	16	13		10	2
	16	7		10	1		16	2
	22	10	96114033	16	1	99100555	18	1
	24	11		16	1	99100621	20	25
96112301	8	9	96114128	10	3			
	10	5		16	3			
	16	5	96114393	8	6			
	22	9		10	14			
	24	10	96114394	8	21			
96112376	8	17		10	18			
96112419	8	7	96114755	12	2			
	10	8		14	11			
				16	14			

---

**SNO-WAY® INTERNATIONAL, INC.**

**SNO-WAY®**  
**SNOW & ICE CONTROL EQUIPMENT**

Hartford, WI 53027 USA  
Website: [www.snoway.com](http://www.snoway.com)  
©2014 Sno-Way® International