

# **SNO-WAY**®

**SNOW & ICE CONTROL EQUIPMENT**

## **SERVICE PARTS MANUAL**

### **SKID STEER STRAIGHT BLADE SNOW PLOWS SERIES 32CSKD & REVHDSKD**

FOR PLOW SERIAL NUMBERS AFTER:  
32CSKD100000, REVHDSKD100000

# TABLE OF CONTENTS

	Page
<b>PARTS LIST INTRODUCTION .....</b>	<b>2</b>
<b>FRAME - 32CSKD.....</b>	<b>3</b>
<b>BLADES - 32CSKD.....</b>	<b>5</b>
<b>FRAME - REVHDSKD.....</b>	<b>7</b>
<b>BLADES - REVHDSKD (FRONT).....</b>	<b>9</b>
<b>BLADES - REVHDSKD (REAR) WING FOLD MECHANISM/GUIDES.....</b>	<b>10</b>
<b>HYDRAULIC VALVE BLOCK ASSEMBLY- REVHDSKD.....</b>	<b>11</b>
<b>CONTROL SYSTEM WIRING - REVHDSKD.....</b>	<b>12</b>
<b>HYDRAULIC SYSTEM - REVHDSKD.....</b>	<b>13</b>
<b>CROSS OVER RELIEF - 32CSKD.....</b>	<b>14</b>
<b>SKID STEER ADAPTERS .....</b>	<b>15</b>
<b>NUMERICAL INDEX .....</b>	<b>16</b>
<b>DEALER CHECKLIST .....</b>	<b>Rear Cover</b>

# PARTS LIST INTRODUCTION

Our dealership network stands by to provide you with any assistance you may require, including genuine Sno-Way service parts. All parts should be obtained from or ordered through your dealer. Give complete information about the part as well as the Model Number and Serial Number of your machine.

Record the Serial Number in the space provided in your Owner's Manual for quick reference. The Serial Number for the unit is on a plate located on the left frame gusset of the Hopper Frame.

"Right" and "Left" are determined from a position sitting on the Operators Seat of the vehicle.

We reserve the right to make changes or improvements in the design or construction of any part without incurring the obligation to install such changes in any unit previously delivered.

## USING THIS PARTS LIST

Below is parts listing with four columns. The first column is the "ITEM", the second is the "PART NUMBER", The third is the "DESCRIPTION" and the fourth is the "QUANTITY".

The **"ITEM"** is the number used in the corresponding illustration.

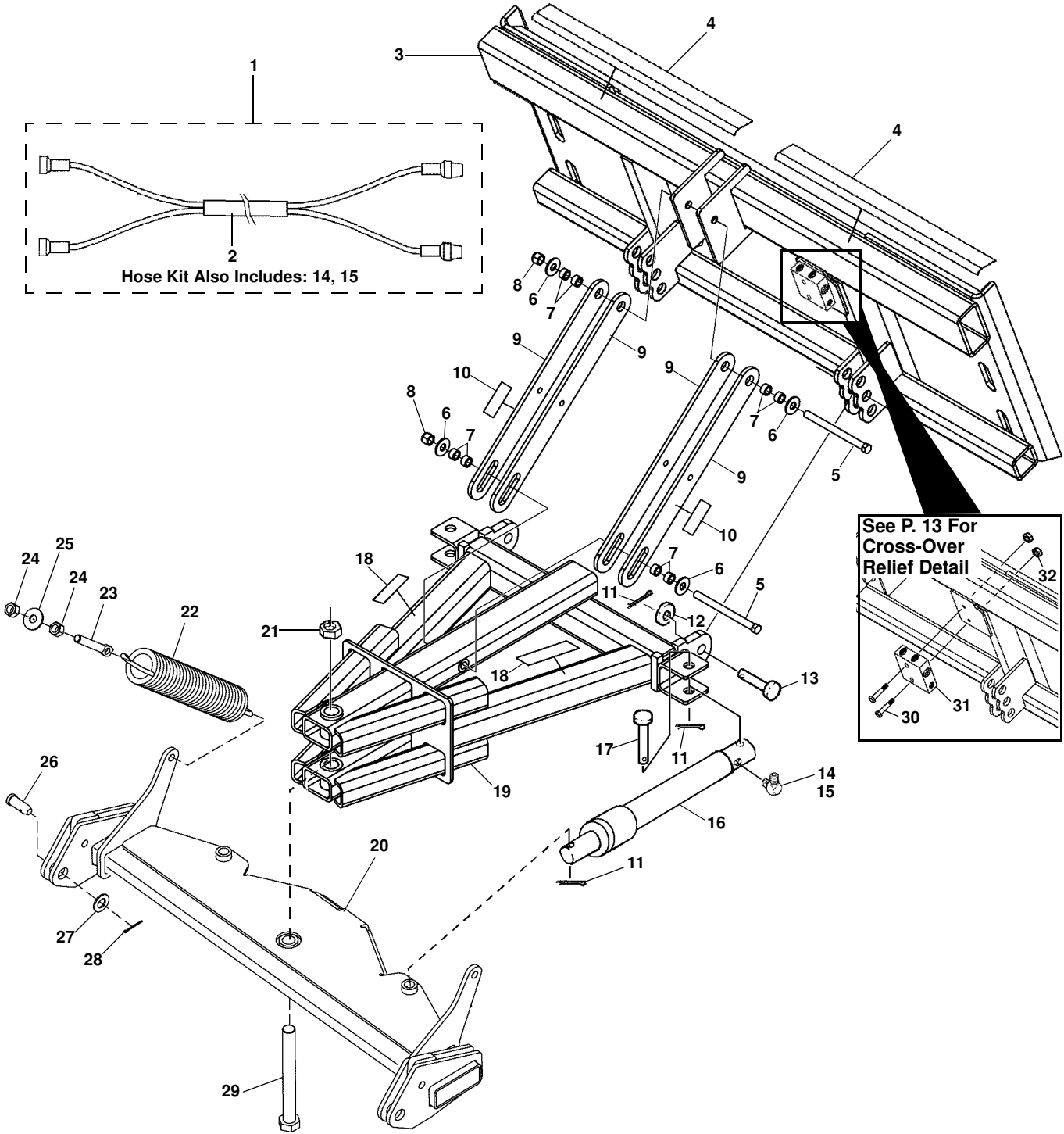
The **"PART NO."** Is the number used to order replacement parts. If a number does not appear in the column the part is only available by ordering the complete assembly.

The **"DESCRIPTION"** is the name of the replacement part. At times the name may be indented, this means that the indented parts are part of the preceding assembly.

The **"QTY."** Is the quantity needed to service the assembly illustrated, not the complete product.

ITEM	PART NO.	DESCRIPTION	QTY.
1	96100083	O-ring	1
2	96001529	Elbow	3
3	98100036	HHCS, 3/8"-16NC x 7/8"	9

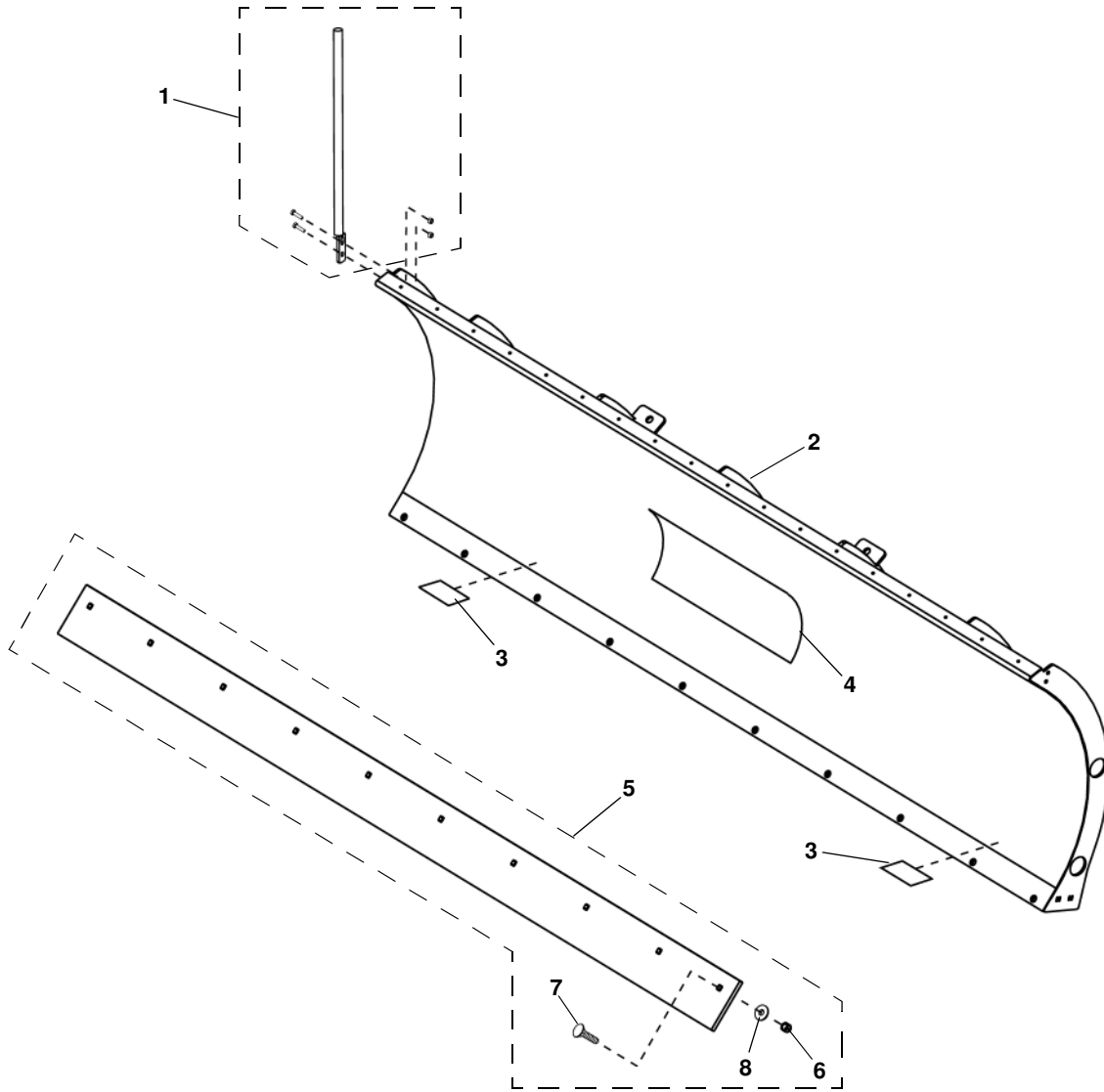
# FRAME - 32CSKD



# FRAME - 32CSKD

ITEM	PART NO.	DESCRIPTION	QTY
1	96106218	Kit, Hose .....	1
2	96106322	ASSY, Hose .....	1
3		Adapter, Skid Steer (see page 15 for applications).....	1
4	96106279	Roughing Strips, Anti-Slip .....	2
5	98009114	HHCS, 1/2"-13 x 6" .....	2
6	98100176	PW, 1/2", Special Hardened .....	4
7	96110365	Spacer.....	8
8	98009013	LN, 1/2"-13.....	4
9	96106194	Link, Lift .....	4
10	97100914	Decal, Floating Link Caution.....	2
11	98009085	COTP, 5/32" x 1-1/2".....	8
12	98009030	PW, 3/4".....	4
13	98100165	CLP, 3/4" x 2-1/2".....	2
14	96106221	Fitting, Orifice (used on left Angle Cylinder only).....	1
15	96100001	Fitting, Elbow (used on right Angle Cylinder only) .....	1
16	96106078	Cylinder, Angle.....	2
17	98100040	CLP, 3/4" X 3" .....	4
18	97100876	Decal, Warning, Pinch Point .....	2
19	96106257	A-Frame.....	1
20	96114010	Frame, Swing, 32CSKD.....	1
21	98100294	LN, 1"-14.....	1
22	96112891	Spring, Trip .....	4
23	96102781	Bolt, Spade, 5/8"-11 X 4.97".....	2
24	98009078	HN, 5/8"-11 .....	4
25	98009039	PW, 5/8".....	2
26	98100433	CLP, 1" X 2" .....	2
27	98009005	PW, 1".....	2
28	98009069	COTP, 5/32" x 1-3/4".....	2
29	98100420	HHCS, 1"-14 x 8-1/2".....	1
30	98009067	HHCS, 1/4"-20 x 2-1/2".....	2
31	96106275	ASSY, Cross Over Relief (see page 14 for detail) .....	1
32	98100255	LN, 1/4"-20.....	2

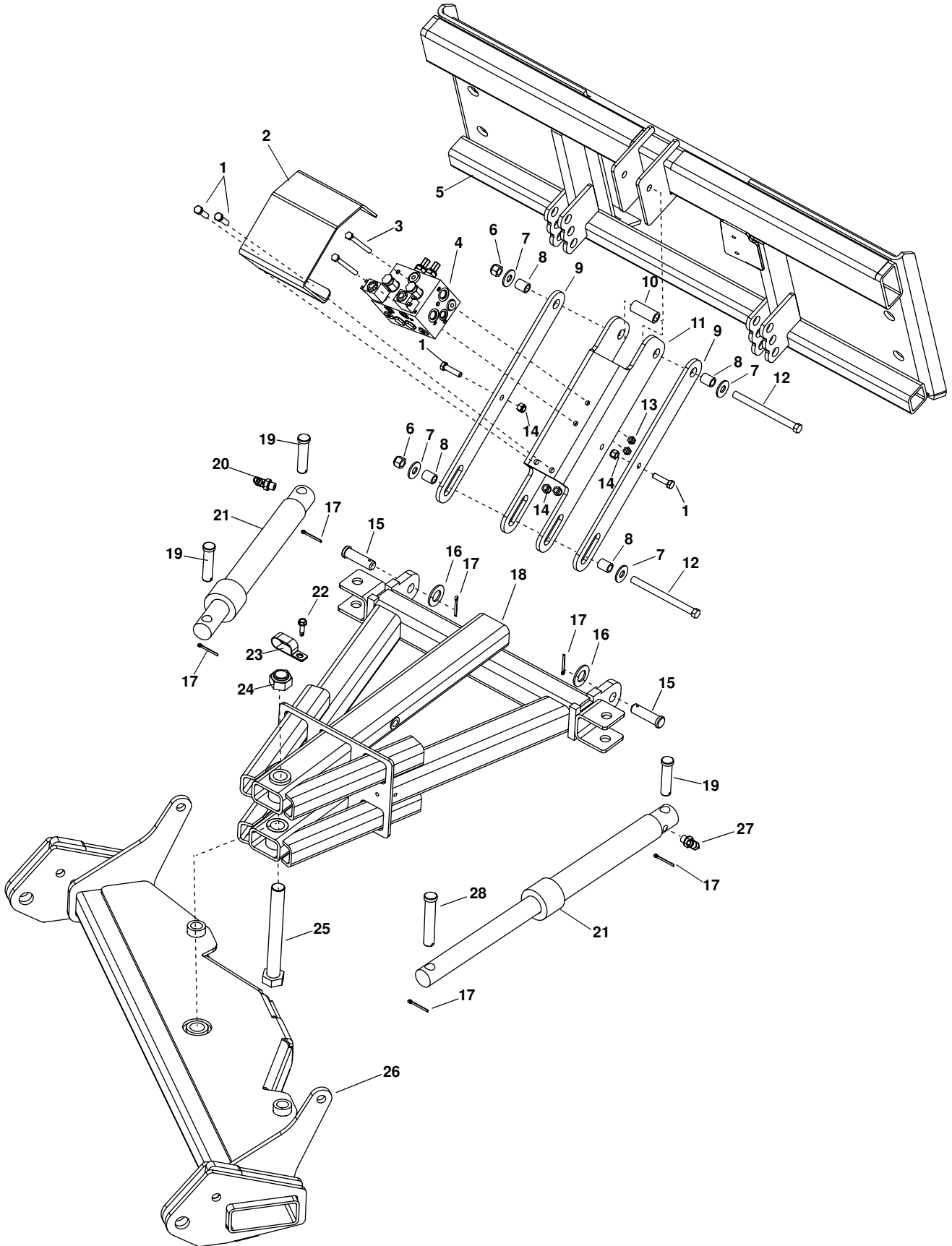
# BLADE - 32CSKD



# BLADE - 32CSKD

ITEM	PART NO.	DESCRIPTION	QTY
1	96112352	Kit, Blade Guide, Yellow (Includes Mounting Hardware).....	1
2		Frame, 102".....	1
		Frame, 108".....	1
		Frame, 120".....	1
3		Decal, Warning.....	2
4	97101835	Decal, Snoway .....	1
5	96112728	Kit, Wearstrip, 102" .....	1
	96106308	Kit, Wearstrip, 108" .....	1
	96106309	Kit, Wearstrip, 120" .....	1
6	98009013	LN, 1/2"-13 .....	11
7	98009099	CB, 1/2"-13 X 2" .....	11
8	98100176	PW, 1/2", Hardened (Used in 96112728 Only).....	11

# FRAME - REVHDSKD

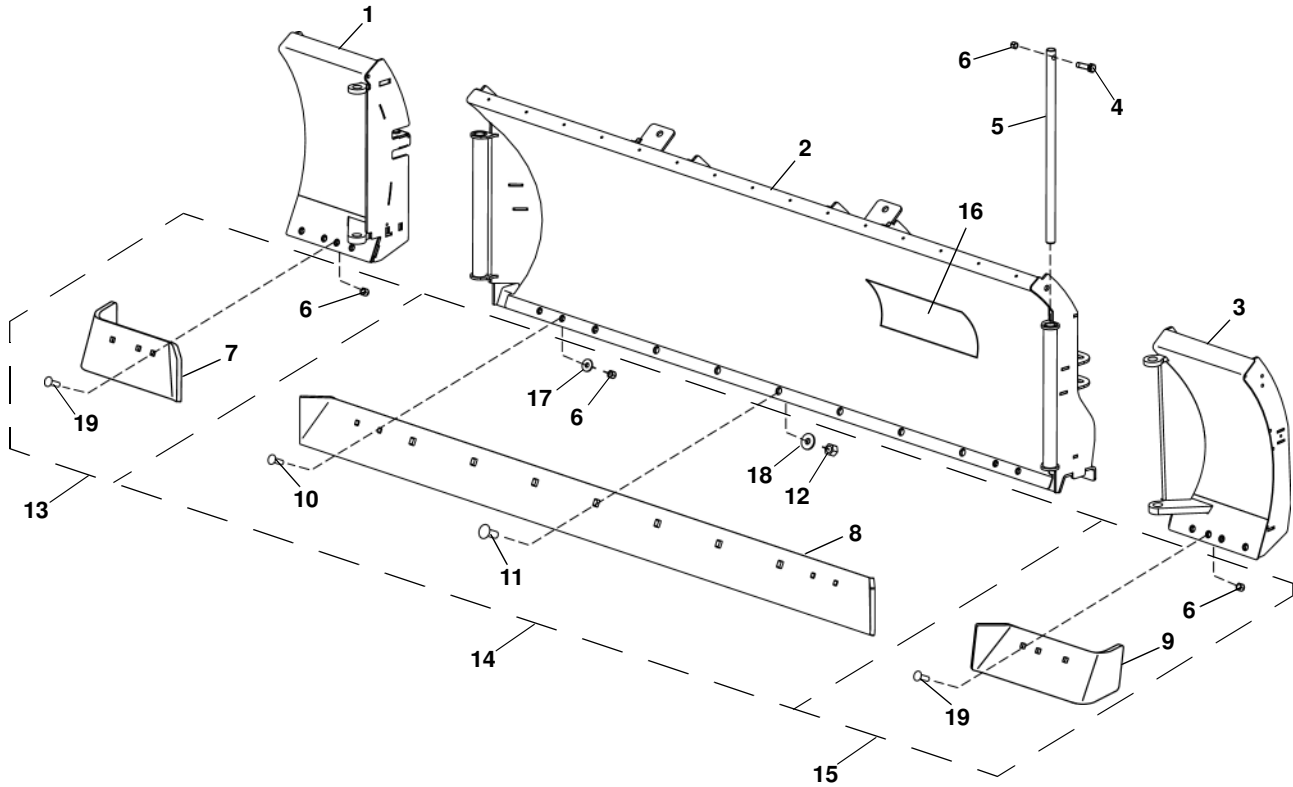




# FRAME - REVHDSKD

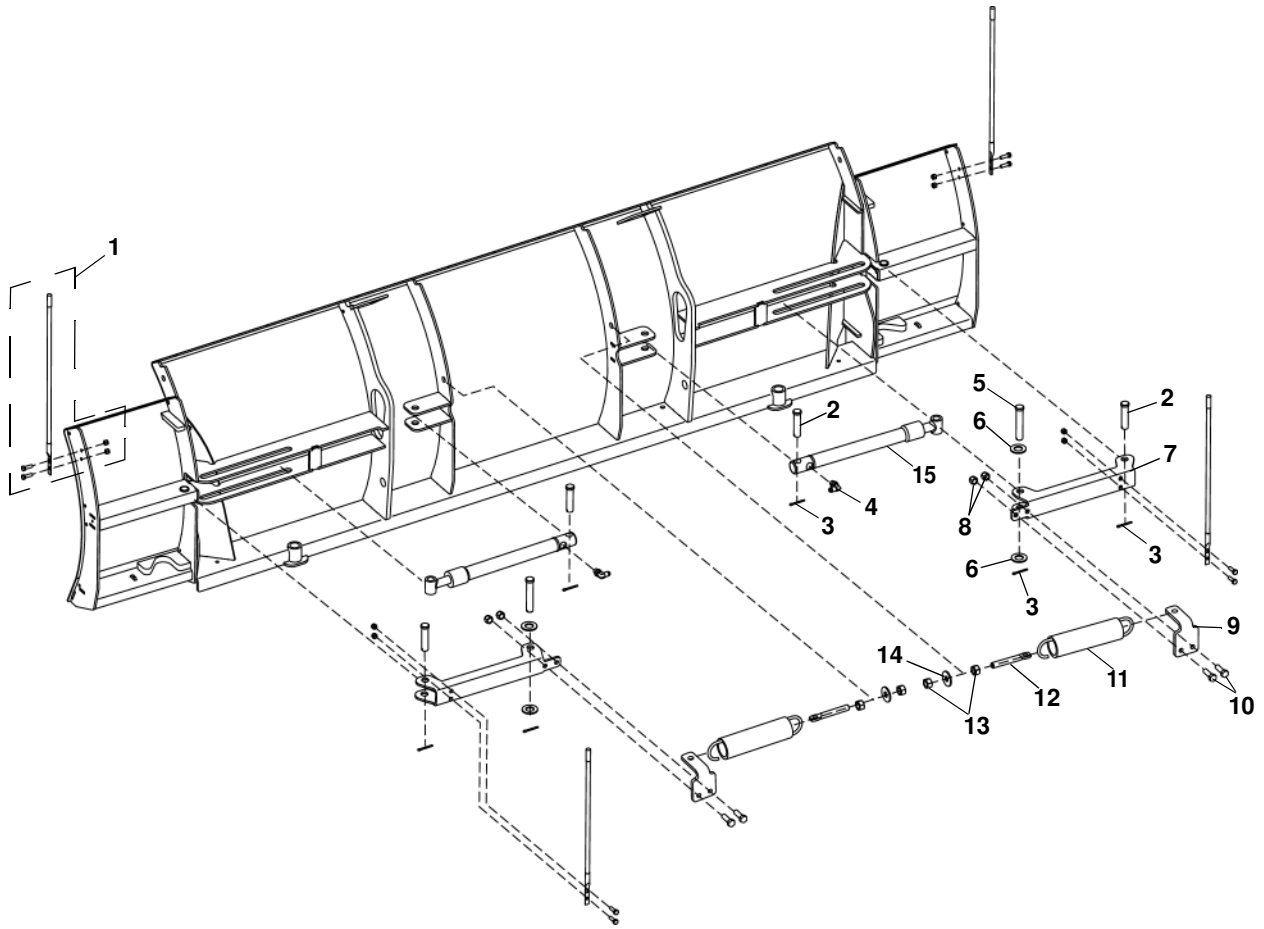
ITEM	PART NO.	DESCRIPTION	QTY
1	98009256	HHCS, 3/8"-16 X 1-1/2" .....	4
2	96116111	BRKT, Cover, REVHDSKD .....	1
3	98100327	HHCS, 5/16"-18 x 4.0", GR 5 .....	2
4		Valve Block Assembly, REVHDSKD.....	1
5		Adapter, Skid Steer (see page 15 for applications) .....	1
6	98009013	LN, 1/2"-13.....	4
7	98100176	PW, 1/2", Special Hardened .....	4
8	96116103	Spacer .....	4
9	96106194	Link, Lift .....	4
10	96115641	Spacer .....	1
11	96116105	Bracket Link, REVHDSKD .....	1
12	98009114	HHCS, 1/2"-13 x 6" .....	2
13	98009150	LN, 5/16"-18, Nylon Insert, ZP/DT .....	4
14	98009009	LN, 3/8"-16.....	4
15	98100165	CLP, 3/4" x 2-1/2".....	2
16	98009030	PW, 3/4".....	4
17	98009085	COTP, 5/32" x 1-1/2".....	6
18	96109865	A-Frame.....	1
19	98100040	CLP, 3/4" X 3" .....	2
20	96100001	Fitting, Orifice (used on right Angle Cylinder only) .....	1
21	96106078	Cylinder, Angle .....	2
22	98100386	Screw, HWH, 5/16" x 1-1/4" TEK3, Zinc .....	1
23	96112500	Clamp, Hydraulic Hose .....	1
24	98100294	LN, 1"-14.....	1
25	98100420	HHCS, 1"-14 x 8-1/2".....	1
26	96114010	Frame, Swing, REVHDSKD .....	1
27	96106221	Fitting, Elbow (used on left Angle Cylinder only) .....	1
28	98100007	CLP, 3/4" X 4" .....	2

# BLADE - REVHDSKD (Front)



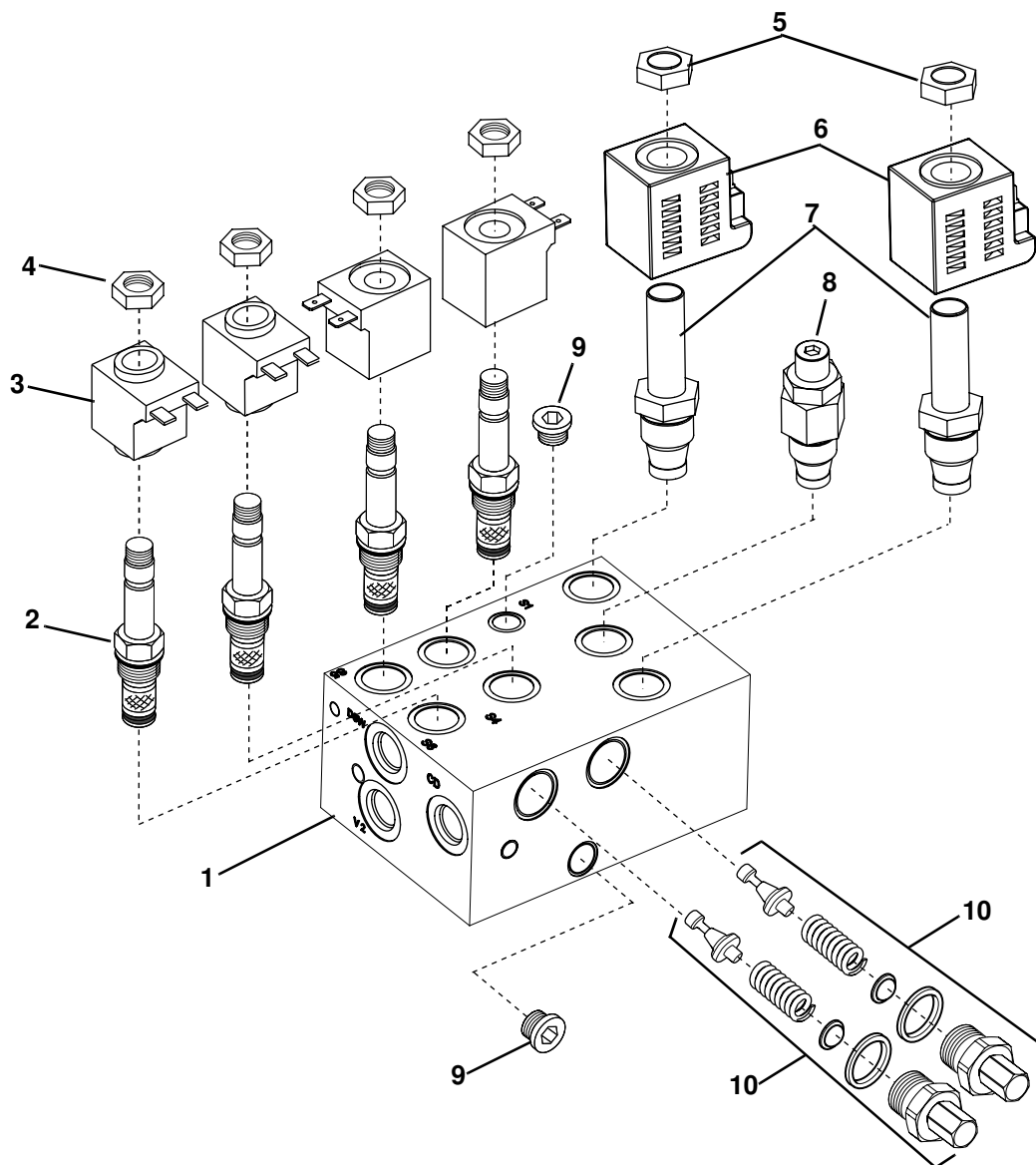
ITEM	PART NO.	DESCRIPTION	QTY
1	96114090	Wing, Revolution HD, PS .....	1
2		Weldment, Main Blade, Revolution HD .....	1
3	96114120	Wing, Revolution HD, DS .....	1
4	98100010	HHCS, 1/2"-13 X 2" .....	2
5	96114097	Pin, Hinge, Revolution HD.....	2
6	98009013	LN, Nylon Insert, 1/2"-13 .....	12
7		Wearstrip, Revolution HD, PS .....	1
8		Wearstrip, Main, Revolution HD .....	1
9		Wearstrip, Revolution HD, DS .....	1
10	98009099	CB, 1/2"-13 X 2" .....	4
11	98100470	CB, 3/4"-10 X 2-1/2" .....	7
12	98009003	LN, Nylon Insert, 3/4"-10 .....	7
13	96114425	Kit, Wearstrip, Revolution HD, PS (Includes items #6, 7 & 19) .....	1
14	96114426	Kit, Wearstrip, Revolution HD, Main (Includes items #6, 8, 10, 11, 12, 17, 18) .....	1
15	96114424	Kit, Wearstrip, Revolution HD, DS (Includes items #6, 9 & 19) .....	1
16	97101835	Decal, Sno-Way .....	1
17	97100176	PW, 1/2" .....	7
18	98009030	PW, 3/4" .....	12
19	98100481	CB, 1/2"-13 X 1-3/4" .....	6

# BLADE - REVHDSKD (Rear) WING FOLD MECHANISM/GUIDES



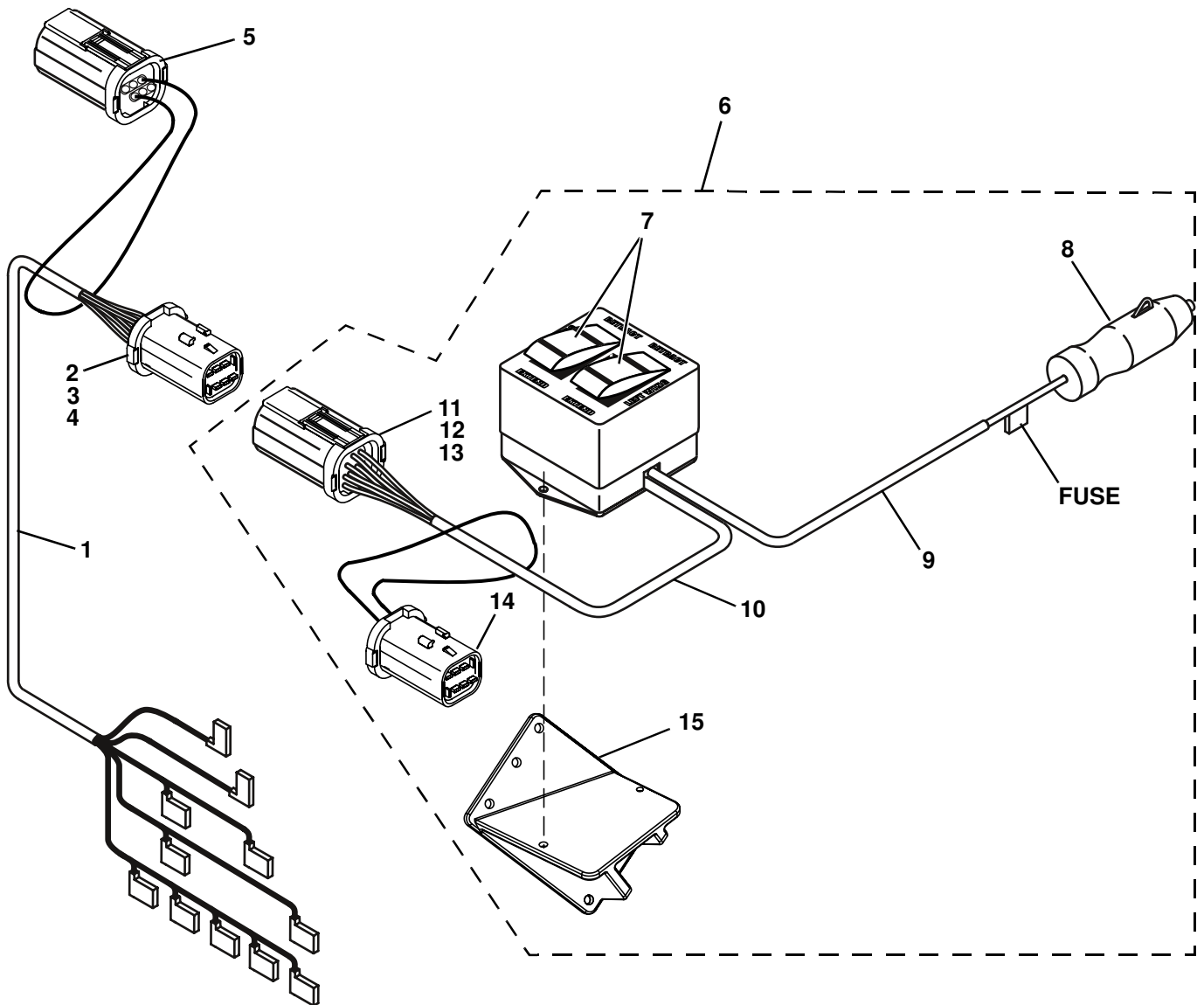
ITEM	PART NO.	DESCRIPTION	QTY
1	96112352	Kit, Blade Guide, Yellow (Includes 2 guides & hardware) .....	4
2	98100040	CLP, 3/4" X 3" .....	4
3	98009085	COTP, 5/32" X 1-1/2" .....	6
4	96100001	Fitting, Elbow, 90° .....	2
5	98100007	CLP, 3/4" X 4" .....	2
6	98009030	PW, 3/4" .....	4
7	96114084	Link .....	2
8	98009013	LN, Nylon Insert, 1/2"-13.....	4
9	96114085	BRKT, Spring Retainer, Revolution HD .....	2
10	98009010	HHCS, 1/2"-13 X 1-1/2" .....	4
11	96110881	Spring Return, Wing, Revolution HD .....	2
12	96102781	Bolt, Spade, 5/8"-11 X 4.97".....	2
13	98009078	HN, 5/8"-11 .....	4
14	98009039	PW, 5/8" .....	2
15	96112070	Cylinder, Wing, 1" x 11-7/8" .....	2

# HYDRAULIC VALVE BLOCK ASSEMBLY - REVHDSKD



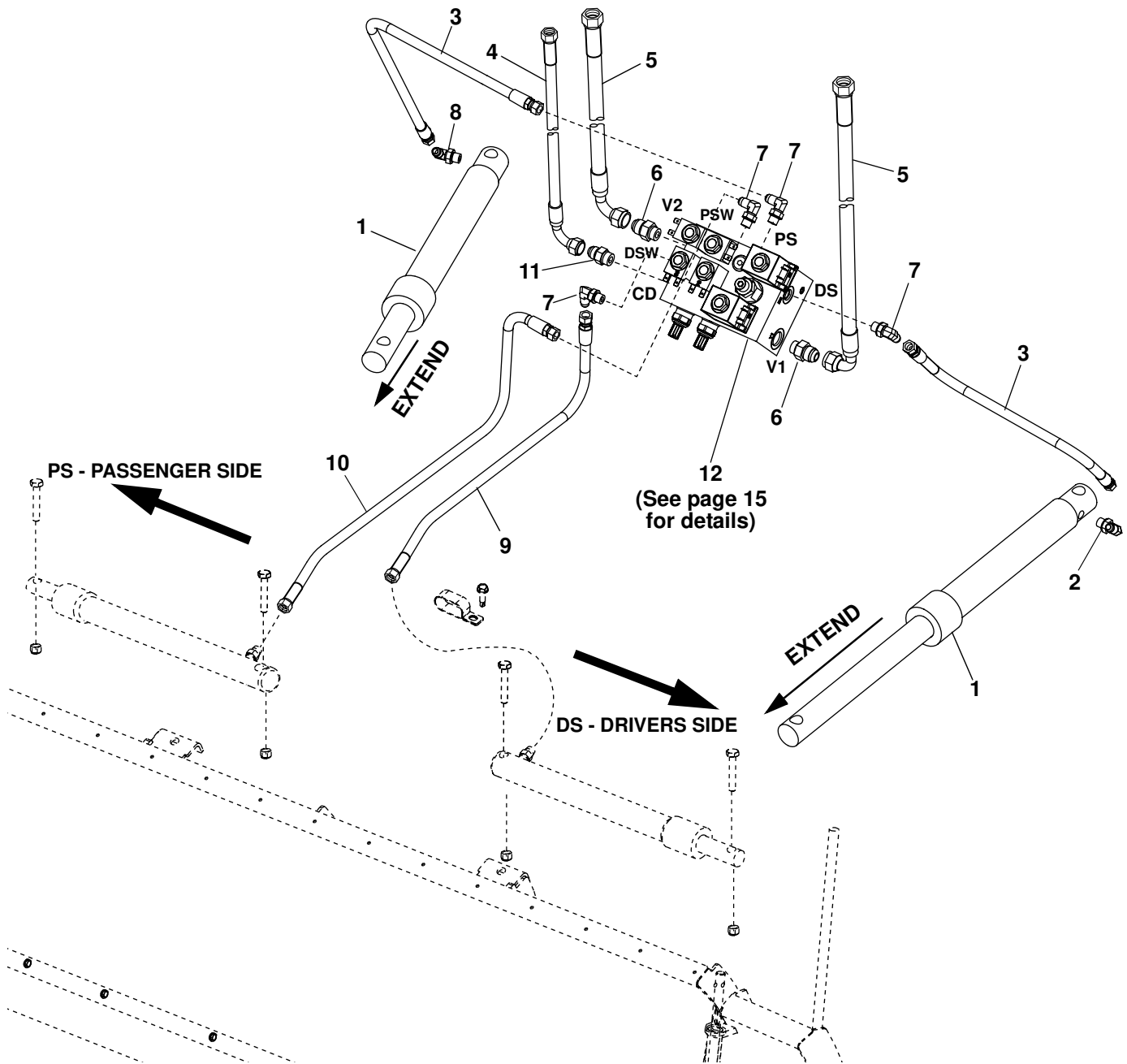
ITEM	PART NO.	DESCRIPTION	QTY
1		Valve Block Assembly, REVHDSKD .....	1
2	96108325	Valve, Cartridge, 2W/2Pos, Normally Closed .....	4
3	96111171	Coil, Black .....	4
4	96105275	Nut, Coil, #8 .....	4
5	96116620	Nut, Coil, #10 .....	2
6	96116615	Coil, #10, 1/4 " Male Tab .....	2
7	96116616	Valve, Cartridge, 2W/2P, #10 Normally Opened .....	2
8	96116617	Valve, Relief (REVHDSKD), #10, 2500 PSI .....	1
9		Plug, O-Ring, 9/16"-18, Hex .....	2
10	96114411	Valve, Relief (REVHDSKD), Wing, 2150 PSI .....	2

# CONTROL SYSTEM WIRING - REVHDSKD



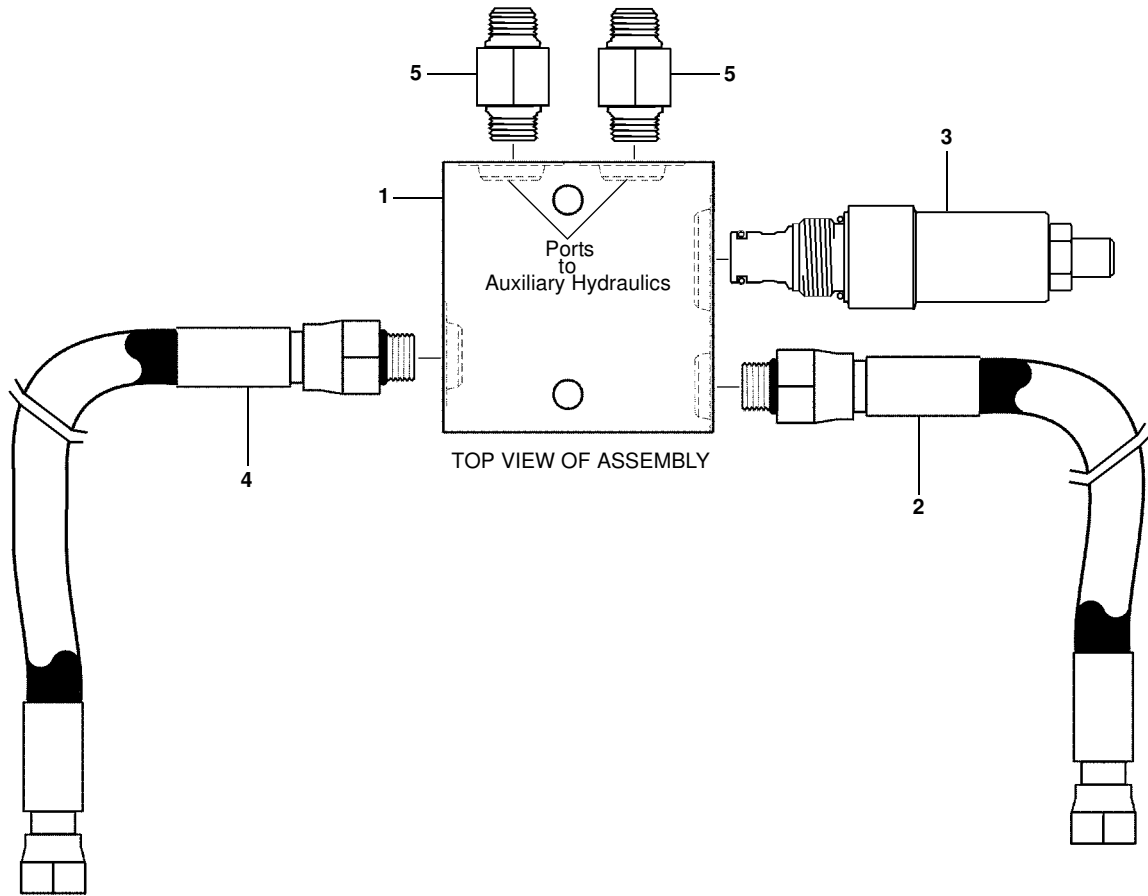
ITEM	PART NO.	DESCRIPTION	QTY
1	96116155	Harness, Main, REVHDSKD.....	1
2	96116158	Connector, Male.....	1
3	96108079	Terminal, Male .....	5
4	96108142	Plug, Cavity.....	1
5	96116160	Protective Cap, Female .....	1
6	96116150	Control Box, ON/OFF .....	1
7	96107113	Switch, ON/OFF.....	2
8		Connector, Aux Power .....	1
9		Harness, Power Cable.....	1
10		Harness, Control.....	1
11	96116157	Connector, Female .....	1
12	96108080	Terminal, Female .....	5
13	96108142	Plug, Cavity.....	1
14	96116159	Protective Cap, Male .....	1
15	96116559	Bracket, Control.....	1

# HYDRAULIC SYSTEM - REVHDSKD



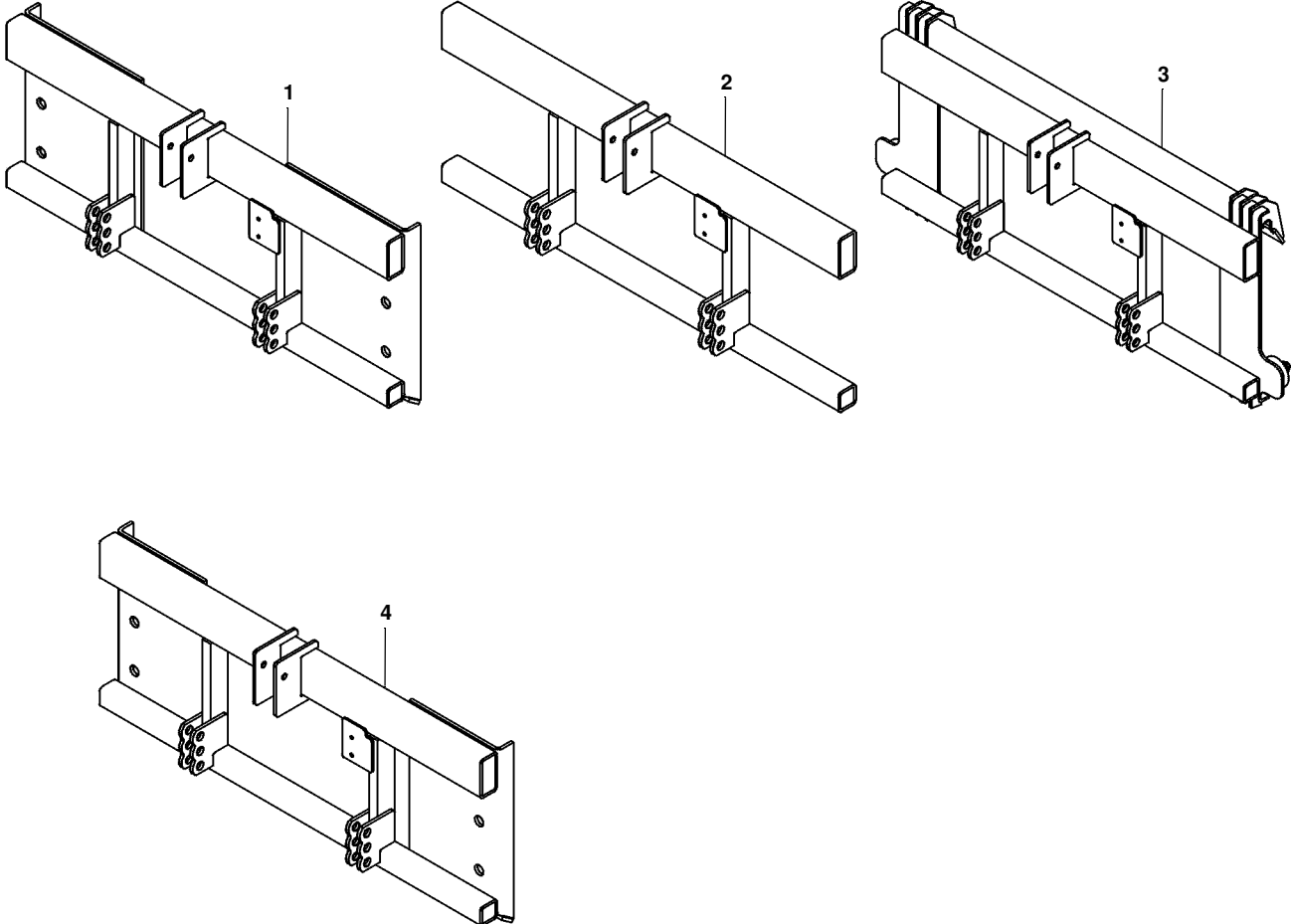
ITEM	PART NO.	DESCRIPTION	QTY
1	96106078	Cylinder, Angle .....	2
2	96106221	Fitting, Orifice (used on left Angle Cylinder only) .....	1
3	96113791	Hose, Hydraulic, 27-1/2" .....	2
4	96115593	Hose, Return .....	1
5	96115513	Hose, Main Block .....	2
6	96107721	Fitting, #8 SAE to #10 JIC .....	2
7	96100001	Fitting, Elbow .....	4
8	96100001	Fitting, Elbow (used on right Angle Cylinder only) .....	1
9	96112920	Hose, Hydraulic, 40" .....	1
10	96112917	Hose, Hydraulic, 62" .....	1
11	96115596	Fitting, #8 SAE to #8 JIC .....	1
12		ASSY, Valve Block, REVHDSKD (See page 11 for components) .....	1

# CROSS OVER RELIEF - 32CSKD



ITEM	PART NO.	DESCRIPTION	QTY
1	96106275	ASSY, Cross Over Relief (includes Relief Valve, #3).....	1
2	96106276	Hose, Right Hand Cylinder, 30 in.....	1
3		Valve, Cross Over Relief (Order item #1 - 96106275).....	1
4	96104953	Hose, Left Hand Cylinder, 18 in. ....	1
5	96100000	Fitting, Straight Connector.....	2

# SKID STEER ADAPTERS



ITEM	PART NO.	DESCRIPTION	QTY
1	96109850	Case Adapter Mount - Universal Adapter Mount (fits most Skid Steers).....	1
2	96106834	Universal Blank Structure "H-Bracket" .....	1
3	96107078	John Deere 400 Adapter Mount .....	1
4	96106835	Cat 902 Adapter Mount .....	1



# NUMERICAL INDEX

PART NO.	PAGE	ITEM	PART NO.	PAGE	ITEM	PART NO.	PAGE	ITEM
96100000	14	5	96114085	10	9	98009099	6	7
96100001	4	15	96114090	9	1		9	10
	8	20	96114097	9	5	98009114	4	5
	10	4	96114120	9	3		8	12
	13	7	96114411	11	10	98009150	8	13
	13	8	96114424	9	15	98009256	8	1
96102781	4	23	96114425	9	13	98100007	8	28
	10	12	96114426	9	14		10	5
96104953	14	4	96115513	13	5	98100010	9	4
96105275	11	4	96115593	13	4	98100040	4	17
96106078	4	16	96115596	13	11		8	19
	8	21	96115641	8	10		10	2
	13	1	96116103	8	8	98100165	4	13
96106194	4	9	96116105	8	11		8	15
	8	9	96116111	8	2	98100176	4	6
96106218	4	1	96116150	12	6		6	8
96106221	4	14	96116155	12	1		8	7
	8	27	96116157	12	11	98100255	4	32
	13	2	96116158	12	2	98100294	4	21
96106257	4	19	96116159	12	14		8	24
96106275	4	31	96116160	12	5	98100327	8	3
	14	1	96116559	12	15	98100386	8	22
96106276	14	2	96116615	11	6	98100420	4	29
96106279	4	4	96116616	11	7		8	25
96106308	6	5	96116617	11	8	98100433	4	26
96106309	6	5	96116620	11	5	98100470	9	11
96106322	4	2	97100176	9	17	98100481	9	19
96106834	15	2	97100876	4	18			
96106835	15	4	97100914	4	10			
96107078	15	3	97101835	6	4			
96107113	12	7		9	16			
96107721	13	6	98009003	9	12			
96108079	12	3	98009005	4	27			
96108080	12	12	98009009	8	14			
96108142	12	4	98009010	10	10			
	12	13	98009013	4	8			
96108325	11	2		6	6			
96109850	15	1		8	6			
96109865	8	18		9	6			
96110365	4	7		10	8			
96110881	10	11	98009030	4	12			
96111171	11	3		8	16			
96112070	10	15		9	18			
96112352	6	1		10	6			
	10	1	98009039	4	25			
96112500	8	23		10	14			
96112728	6	5	98009067	4	30			
96112891	4	22	98009069	4	28			
96112917	13	10	98009078	4	24			
96112920	13	9		10	13			
96113791	13	3	98009085	4	11			
96114010	4	20		8	17			
	8	26		10	3			
96114084	10	7						

# NOTES

# NOTES

---

**SNO-WAY<sup>®</sup> INTERNATIONAL, INC.**

**SNO-WAY<sup>®</sup>**  
**SNOW & ICE CONTROL EQUIPMENT**

Hartford, WI 53027 USA  
Website: [www.snoway.com](http://www.snoway.com)  
©2017 Sno-Way<sup>®</sup> International