

SNO-WAY E-Z FIT SNOW DEFLECTOR (P/N 99100999) INSTALLATION INSTRUCTIONS FOR MEGA BLADE V-WING SERIES PLOWS



1. THINK SAFETY, ALWAYS WEAR SAFETY GLASSES WHEN PERFORMING THE OPERATIONS PRESCRIBED IN THESE INSTRUCTIONS
2. READ ALL INSTRUCTIONS CAREFULLY BEFORE ATTEMPTING INSTALLATION



1. Lower the snow plow blade to a flat, level surface. To prevent accidental operation of the blade, disconnect power connection from vehicle.

2. Position (1) Snow Deflector section (p/n 96108615) to the outside top edge of the DS V-Blade wing. Clamp the deflector flat against the top of blade using a padded bus bar or spring clamp. With the deflector clamped in place, install (1) self drilling tek screw (p/n 98100386) and flat washer (p/n 98100387) through the hole in the deflector closest to the end of the blade. (See Figure 1-1).

NOTE: Use an impact wrench or electric drill to install the tek screws, but use care so they are not over-tightened. DO NOT exceed 11 ft-lbs of torque.

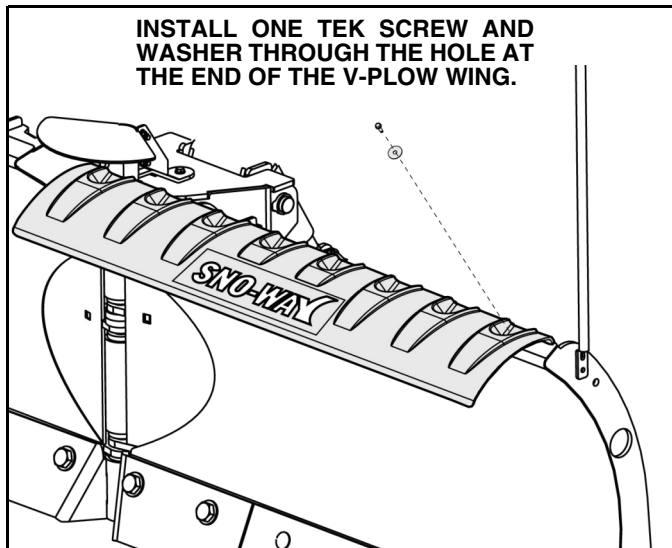


Figure 1-1

3. Complete the snow deflector installation on the DS Wing by installing (7) additional self drilling tek screws and flat washers (going towards the center of the blade) until all holes have been secured to the blade. (See Figure 1-2).

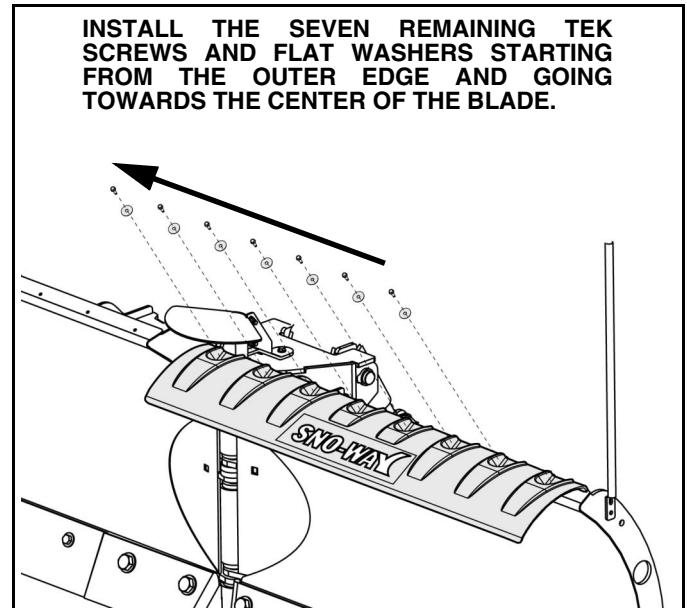
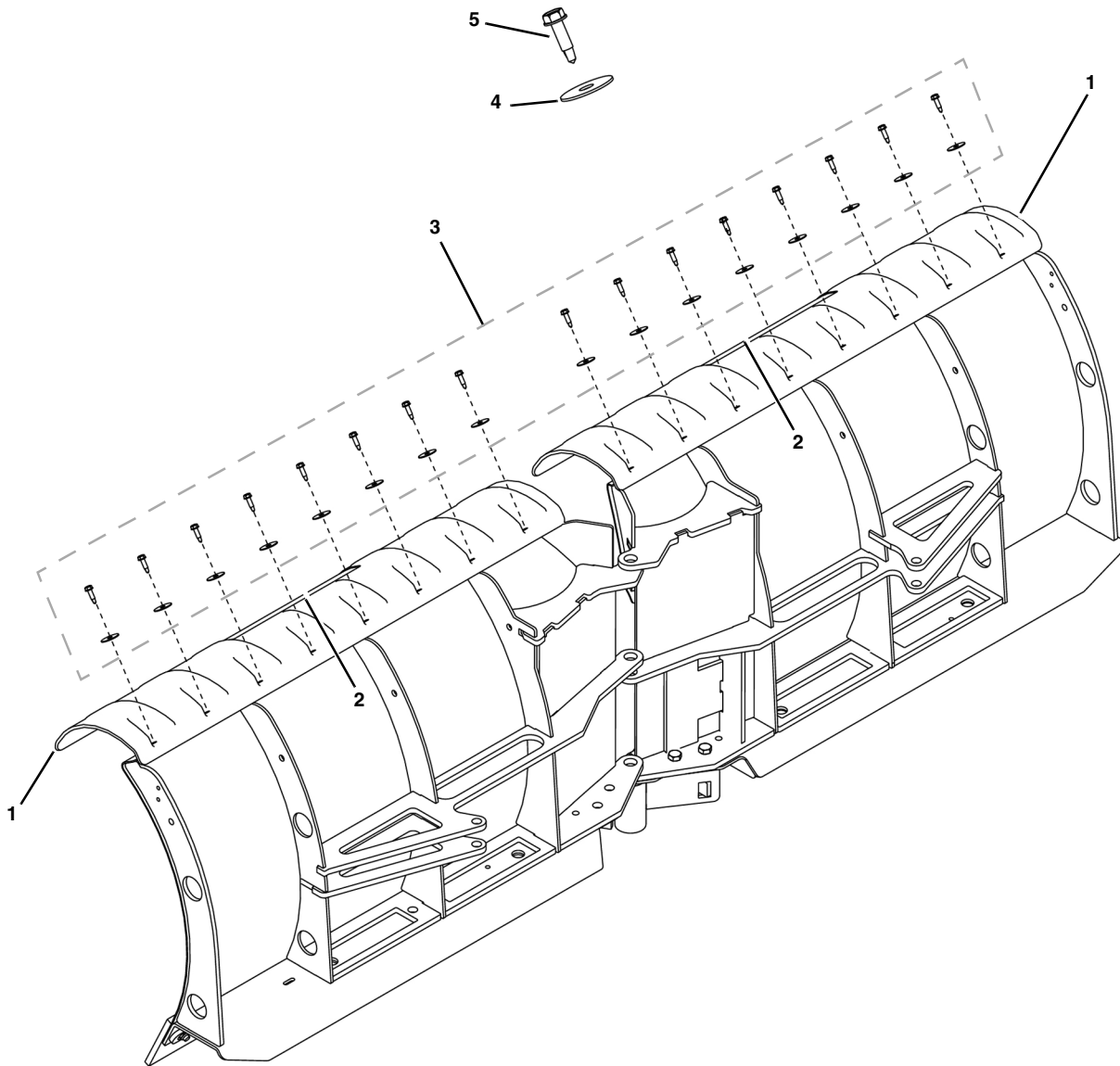


Figure 1-2

IMPORTANT: Recheck all (8) tek screws to ensure that they have NOT been over-tightened.

4. Repeat Steps 2 and 3 to install the PS V-Wing Snow Deflector.

PARTS LIST



ITEM	PART NO.	DESCRIPTION	QTY.
1	96108615	Sno-Way E-Z Snow Deflector	2
2	97101315	Decal, Sno-Way Deflector	2
3	96112412	Hardware Kit, Deflector MBV (includes 4 and 5).....	1
4	98100387	Flat Washer, 13/32" I.D., 1-1/2" 18-8 Stainless Steel	16
5	98100386	Hex Washer Head, 5/16" x 1-1/4" Self Drilling tek Screw	16

SNO-WAY® INTERNATIONAL, INC.



Hartford, WI 53027 USA
 Website: www.snoway.com
 ©2008 Sno-Way® International