

# **SNO-WAY<sup>®</sup>**

**SNOW & ICE CONTROL EQUIPMENT**

## **Assembly & Installation Instructions**

**FOR  
VEHICLE MOUNT KIT 99100928  
USING VEHICLE CENTER MOUNTS  
99100890 FOR THE 26 SERIES  
AND  
99100951 FOR THE 29 SERIES**

**TO FIT  
07- TOYOTA TUNDRA DX, LIMITED AND SR5 (4X4)  
26 AND 29 SERIES ONLY**



1. **THINK SAFETY, ALWAYS WEAR SAFETY GLASSES WHEN PERFORMING THE OPERATIONS PRESCRIBED IN THESE INSTRUCTIONS**
2. **READ ALL INSTRUCTIONS CAREFULLY BEFORE ATTEMPTING INSTALLATION**
3. **BEFORE BEGINNING WORK MAKE SURE TO SET PARKING BRAKE AND CHOCK WHEELS**



### MINIMUM VEHICLE RECOMMENDATIONS

Heavy Duty Alternator  
 Heavy Duty Battery  
 Heavy Duty Suspension

*NOTE: On some vehicles it may be necessary to use a form of load booster to decrease the vehicle's front suspension sag with the snow plow in place. This can be accomplished with the use of supplementary air bags, booster springs, or similar load boosting devices. Since there are different load boosting devices available, it will up to the customer/end user to decide and purchase the product to suit the application, and not the responsibility of Sno-Way International, Inc.*

### ASSEMBLY TOOLS NEEDED

Drill Bits	17/32"
Impact Sockets	7/16" – 1-3/8"
	10mm – 18mm
Wrenches	7/16" – 1-3/8"
	10mm – 18mm
Torque Wrench	
Rat Tail Pry Bar	

### INSTALLATION NOTES

1. **Unless otherwise specified, mount all Vehicle Mount Kit Components to vehicle before tightening any hardware.**
2. **It is recommended that LOCTITE®, or similar thread locking product, be used on ALL mounting hardware (i.e. Nuts, Cap Screws, Bolts, etc.).**
3. Vehicle should be parked on a level surface with a normal vehicle load on the FRONT suspension.
4. Items in parentheses () refer to quantity required for this step. Items in parentheses with a pound sign (#) indicate the part number as found in the parts list on the last page of this document.  
 Example: (10) Washer, Lock, 1/2" (#8).
5. It maybe necessary to relocate license plate holder. Check state and local laws for placement, if needed.

Washers (#6) and (2) 1/2" Flat Washers (#5) into the tow hook holes.

5. Using the rear holes in the Side Weldment, LH (#2) as a template, drill (2) 17/32" holes in the outer wall of the vehicle frame rail. (*NOTE: the foremost hole maybe already in the frame rail.*)
6. Insert (2) Handle Bolt Weldments (#4) with (2) 1/2" Flat Washers (#5) into the square cut-out in the frame rail and the Side Weldment, LH (#2), and out through the rear holes. (*NOTE: The Handle Bolt Weldments with need to be formed to fit in order to get the bolts and washers through the square hole.*) Secure the slotted hole with (1) 1/2" Flat Washer (#5) and (1) 1/2" Nylock Nut (#7). In the rearmost hole, secure using (1) 1/2" Nylock Nut (#7).
7. Repeat Steps #3 - #6 to install (1) Side Weldment, RH (#3) to the vehicle.
8. Attach (1) Vehicle Center Member (#1) (A or B depending on the series plow that is installed) using (8) 1/2"-13 x 2" Cap Screws (#8), (2) 1/2" Lock Washers (#6), in the threaded holes, and (6) 1/2" Nylock Nuts (#7).

### MOUNTING INSTRUCTIONS

1. Remove the bolts holding the skid plate to the bottom of the frame and the rear vehicle crossmember. Retain skid plate with hardware for re-installation if the Vehicle Mount Kit is removed.
2. Remove the tow hooks from both the driver's and passenger's side frame rail. Retain with hardware for re-installation if Vehicle Mount Kit is removed.
3. Remove the three bumper mount nuts located on the front end of the driver's side frame rail. Retain the nuts for re-installation in Step #4.
4. Attach (1) Side Weldment, LH (#2). Place the horizontal flange against the bottom of the frame rail, and align the slots in the Side Weldment with the tow hook holes. The front tab must clear the bumper mount studs on the front end of the vehicle frame. Using the existing bumper mount bolts, finger tighten the three bumper mount nuts. Next, insert (2) M12-1.75 x 60 mm Cap Screws (#9) with (2) 1/2" Lock

**NOTE:** If installing the 26 Series Plow and want to obtain a higher pin height, the top rear portion of the center lugs maybe ground off or cut flush with the back of the tube. (See Figure 1.)

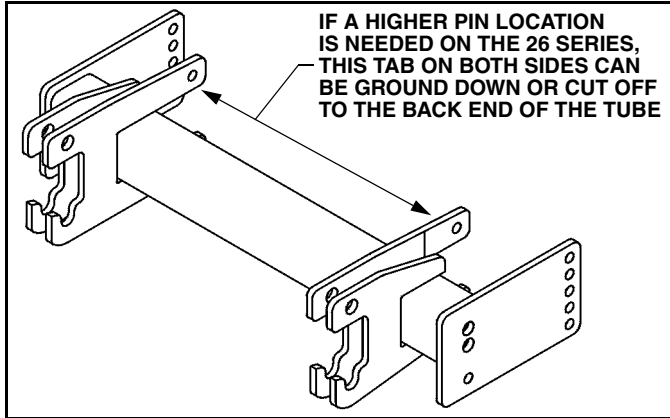


Figure 1

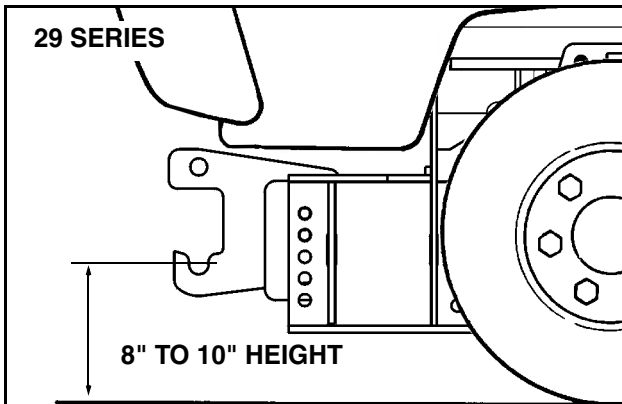


Figure 2

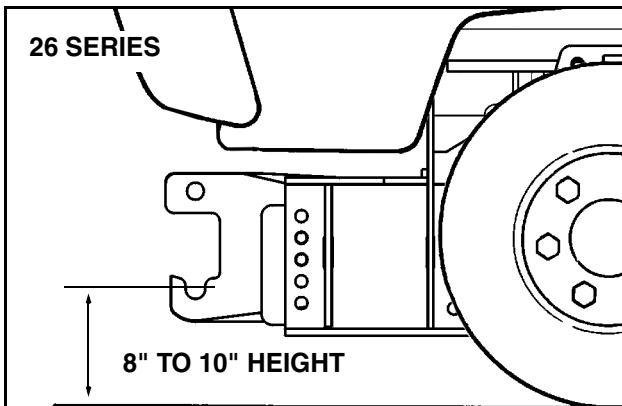


Figure 3

**IMPORTANT:** Height from the center of the lower Plow Mounting holes on the Vehicle Mount Kit to the ground should be between 8" and 10" to ensure proper operation.

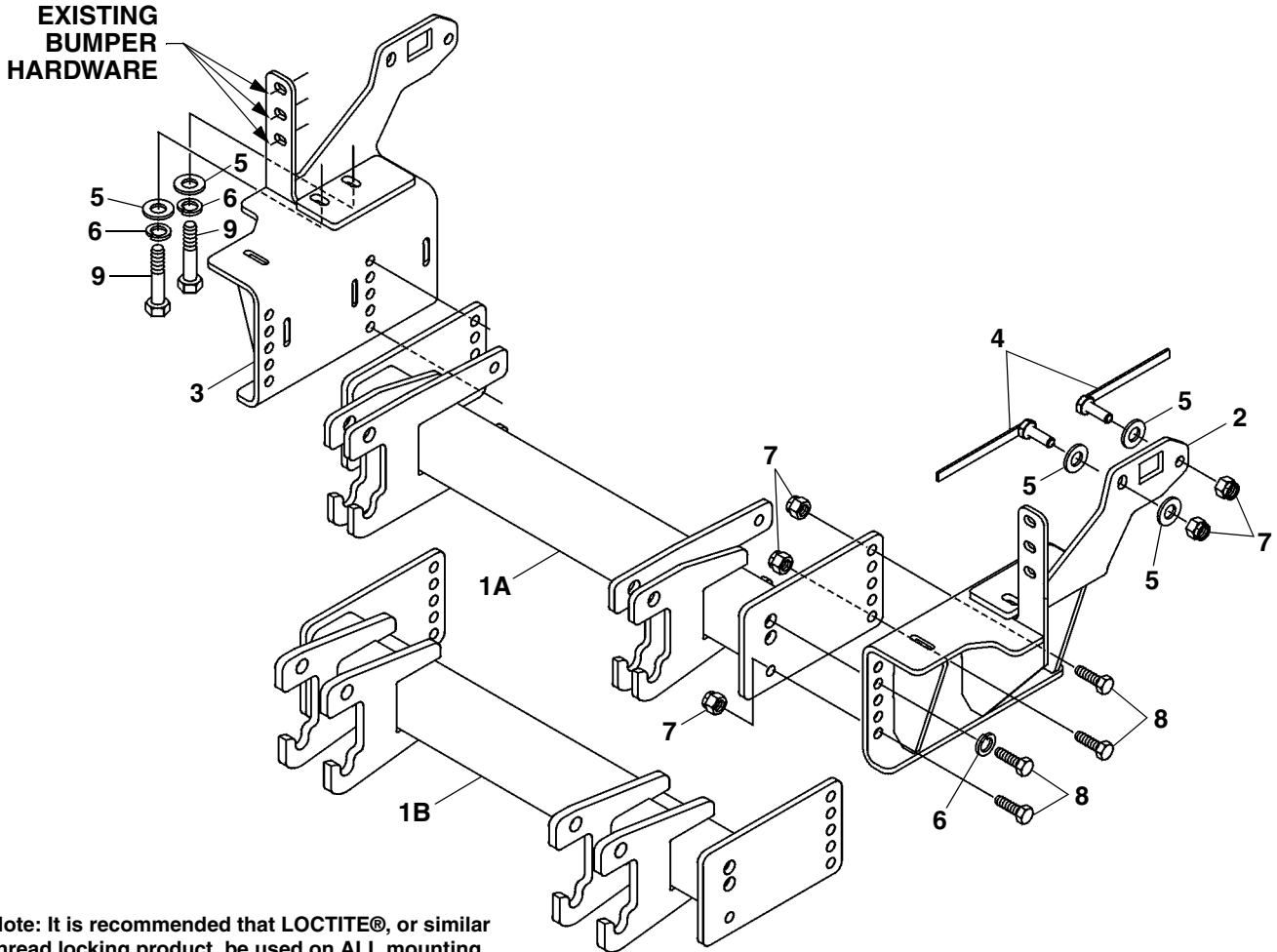
9. Tighten all Cap Screws using the torque specification chart provided.

TORQUE SPECIFICATIONS FOR STANDARD MACHINE HARDWARE					
Bolt Size	GR.2 Dry	GR.5 Dry	GR.8 Dry	Metric Size	GR.8.8 Dry
1/4"	66*	9	12	M8	17
5/16"	11	17	25	M10	35
3/8"	20	30	45	M12	60
7/16"	32	50	70	M14	95
1/2"	50	75	110	M16	155
9/16"	70	110	150		
5/8"	100	150	220		
3/4"	175	260	380		
7/8"	170	430	600		
1"	250	640	900		

Note: These torque values are to be used for all hardware. Unless otherwise specified, all torque values must meet this specification.  
 Note: All torque values are in Ft.-Lbs unless otherwise stated  
 Note: \*In-Lbs

**REMEMBER** After 5 to 10 hours of snowplow usage, re-torque all Cap Screws!

# PARTS LIST



Note: It is recommended that LOCTITE®, or similar thread locking product, be used on ALL mounting hardware (i.e. Nuts, Cap Screws, Bolts, etc.).

ITEM	PART NO.	DESCRIPTION	QTY.
1A	99100890	Vehicle Center Member (96108650) .....	1
1B	99100951	Vehicle Center Member (96110397) .....	1
2	96111867*	Side Weldment, LH .....	1
3	96111868*	Side Weldment, RH.....	1
4	96110511*	Handle Bolt Weldment, 1/2"-13 x 1-1/4" x 6" .....	4
5	98009011	Washer, Flat, 1/2" .....	10
6	98009012	Washer, Lock, 1/2".....	6
7	98009013	Nut, Nylock, 1/2"-13.....	12
8	98100094	Cap Screw, Hex Head, 1/2"-13 x 2".....	8
9	98100425	Cap Screw, Hex Head, M14-1.75 x 60mm .....	4

\* Not Available As a Service Part

SNO-WAY® INTERNATIONAL, INC.



Hartford, WI 53027 USA  
 Website: [www.snoway.com](http://www.snoway.com)  
 ©2008 Sno-Way® International