

SNO-WAY®

SNOW & ICE CONTROL EQUIPMENT

ASSEMBLY & INSTALLATION INSTRUCTIONS

SUBFRAME COMPONENTS 99100752

TO FIT:

1994-2004 CHEVROLET S-SERIES PICKUP 4X4
1994-2004 GMC S-SERIES PICKUP 4X4
1995-2004 CHEVROLET S-SERIES BLAZER 4X4
1995-2004 GMC S-SERIES JIMMY 4X4
(EXCLUDES ZR2 CHASSIS PACKAGE)

Sno-Way®, Down Pressure® and EIS® are registered trademarks of Sno-Way International, Inc.
ProControl™, MegaBlade™, V-Wing™, E-Z Switch™, Revolution™, MaxAdjust™, SpeedLock™, and QuickJack™
are trademarks of Sno-Way International, Inc.

©2009 Sno-Way® International

97101074B



1. **THINK SAFETY, ALWAYS WEAR SAFETY GLASSES WHEN PERFORMING THE OPERATIONS PRESCRIBED IN THESE INSTRUCTIONS**
2. **READ ALL INSTRUCTIONS CAREFULLY BEFORE ATTEMPTING INSTALLATION**
3. **BEFORE BEGINNING WORK MAKE SURE TO SET PARKING BRAKE AND CHOCK WHEELS**



MINIMUM VEHICLE RECOMMENDATIONS

Heavy Duty Alternator Heavy Duty Battery
 Manufacturers Snow Plow Package

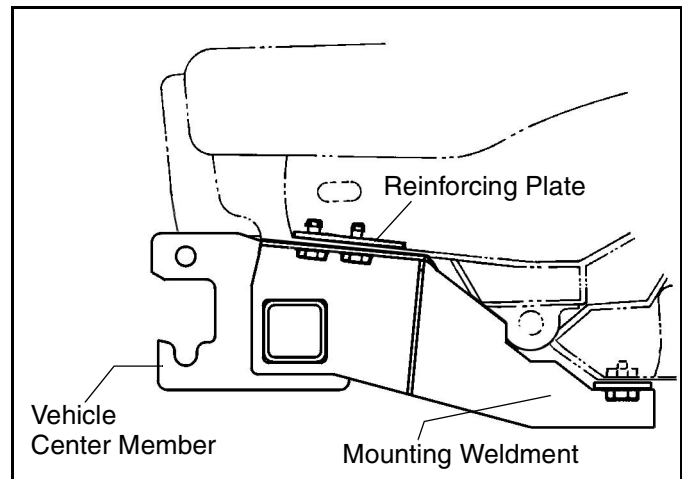
ASSEMBLY TOOLS NEEDED

Impact Sockets 7/16" – 1-1/8"
 Impact Sockets Metric 10mm – 19mm
 Wrenches 7/16" – 1-1/8"
 Torque Wrench

NOTE: On some vehicles it may be necessary to use a form of load booster to decrease the vehicle's front suspension sag with the snow plow in place. This can be accomplished with the use of supplementary air bags, booster springs, or similar load boosting devices. Since there are different load boosting devices available, it will up to the customer/end user to decide and purchase the product to suit the application, and not the responsibility of Sno-Way International, Inc.

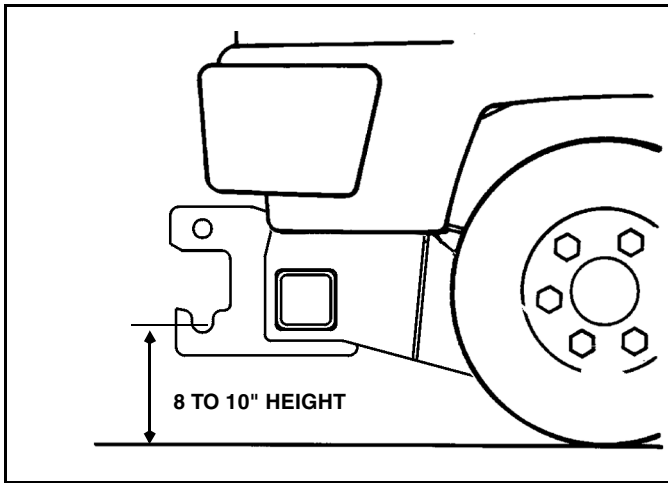
INSTALLATION NOTES

1. **Unless otherwise specified, mount all Sub-Frame Components to vehicle before tightening any hardware.**
2. **It is recommended that LOCTITE®, or similar thread locking product, be used on ALL mounting hardware (i.e. Nuts, Cap Screws, Bolts, etc.).**
3. Vehicle should be parked on a level surface with a normal vehicle load on the FRONT suspension.
4. Items in parentheses () refer to quantity required for this step. Items in parentheses with a pound sign (#) indicate the part number as found in the parts list on the last page of this document.
 Example: (2) 5/8" x 1-1/2" Cap Screws (#6).
5. It maybe necessary to relocate license plate holder. Relocate under the driver's side headlight by drilling new holes in the bumper. Check state and local laws for placement, if needed.



MOUNTING INSTRUCTIONS

1. Remove air dam. Retain, with mounting hardware, for future use if plow subframe is removed.
2. Remove skid plate. Retain for future use if plow subframe is removed.
3. Relocate license plate as required.
4. Remove tow hooks and retain hardware for use in installing Mounting Assembly.
5. Align Mounting Weldment (#1) with the holes formerly used for mounting skid plate and tow hooks. Secure using hardware formerly used to mount tow hooks and air dam. If vehicle was not equipped with tow hooks, use (2) Reinforcing Plates (#3) and secure with (4) 3/8" x 1-1/4" Cap Screws (#9), (4) Flat Washers (#8) and Lock Washers (#7).
6. Install either (1) 5/8" x 4-1/2" Cap Screw (#4) or (1) 5/8" x 1 1/2" (#10) Cap Screw (depending on the rear section of the truck) in the center hole in the lower section of the Mounting Assembly, through the existing hole in the vehicle frame. Secure with (1) Flat Washer (#5) and (1) Nylock Nut (#6). The outer two holes are secured by using existing hardware.
7. Install the Vehicle Center Member (#2) by aligning the Mounting Weldment (#1) holes with the holes in the Center Member. Secure the Center Member by using (6) 1/2" x 1-1/2" Cap Screws (#15), (2) 1/2" x 1-1/4" Cap Screws (#11), (4) 1/2" Lock Washers (#12), (2) 1/2" Hardened Nuts (#13) and (4) 1/2" Nylock Nuts (#14).
8. Using the torque specification chart, torque all cap screws starting at the rear and working forward.

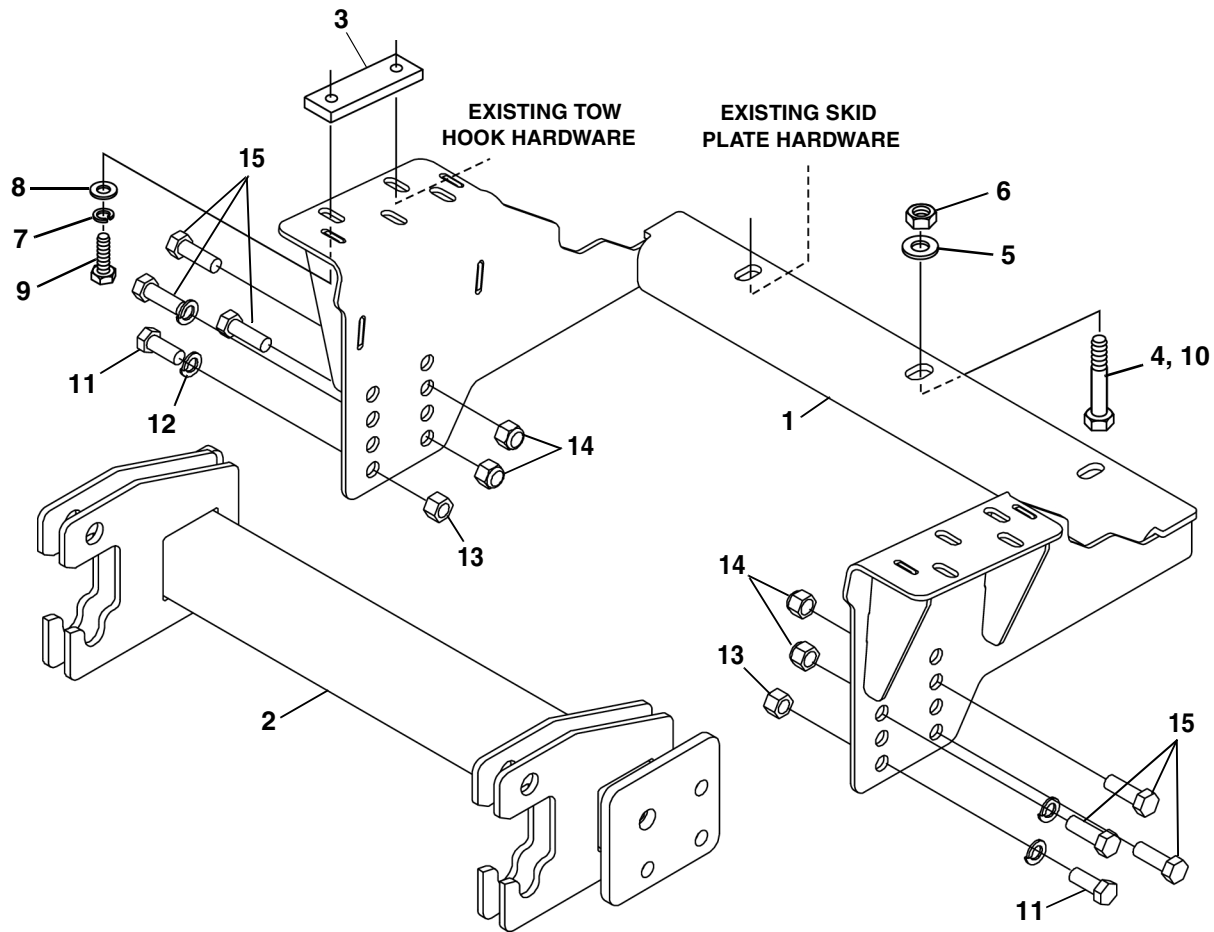


IMPORTANT: Height from the center of the lower Plow Mounting holes on the Subframe to the ground should be between 8" and 10" to insure proper operation.

TORQUE SPECIFICATIONS FOR STANDARD MACHINE HARDWARE					
Bolt Size	GR.2 Dry	GR.5 Dry	GR.8 Dry	Metric Size	GR.8.8 Dry
1/4"	66*	9	12	M8	17
5/16"	11	17	25	M10	35
3/8"	20	30	45	M12	60
7/16"	32	50	70	M14	95
1/2"	50	75	110	M16	155
9/16"	70	110	150		
5/8"	100	150	220		
3/4"	175	260	380		
7/8"	170	430	600		
1"	250	640	900		

These torque values are to be used for all hardware. Unless otherwise specified, all torque values must meet this specification.
 All torque values are in Ft.-Lbs unless otherwise stated
 *In-Lbs

REMEMBER After 5 to 10 hours of snowplow usage, re-torque all Cap Screws!



Note: It is recommended that LOCTITE®, or similar thread locking product, be used on ALL mounting hardware (i.e. Nuts, Cap Screws, Bolts, etc.).

ITEM	PART NO.	DESCRIPTION	QTY.
1	96112160*	Assembly, Mounting	1
2	96112154*	Vehicle Center Member, 0752	1
3	96100465*	Plate, Reinforcement	2
	96112161	Hardware Kit (Includes Items 4 through 15)	1
4	98009111	Cap Screw, Hex Head, 5/8"-11 x 4-1/2"	1
5	98009039	Washer, Flat 5/8"	1
6	98009038	Nut, Hex, Nylock, 5/8"-11	1
7	98009008	Washer, Locking, 3/8"	4
8	98009032	Washer, Flat, 3/8"	4
9	98009034	Cap Screw, Hex Head, 3/8"-16 x 1-1/4"	4
10	98009115	Cap Screw, Hex Head, 5/8"-11 x 1-1/2"	1
11	98100345*	Cap Screw, Hex Head, 1/2"-13 x 1-1/4"	2
12	98009012	Washer, Lock, 1/2"	4
13	98009076	Nut, Hex, 1/2"	2
14	98009013	Nut, Hex, Locknut 1/2"	4
15	98009010	Cap Screw, Hex Head, 1/2"-13 x 1-1/2"	6

* Not Available As a Service Part.

SNO-WAY® INTERNATIONAL, INC.

SNO-WAY
SNOW & ICE CONTROL EQUIPMENT

Hartford, WI 53027 USA
Website: www.snoway.com
©2009 Sno-Way® International