

SNO-WAY®

SNOW & ICE CONTROL EQUIPMENT

SERVICE PARTS MANUAL

26 SERIES SNOW PLOWS WITH EIS® PLOW LIGHT HARNESS CONNECTIONS

FOR GRAVITY HYDRAULICS
WITH SERIAL NUMBERS BEFORE 26G100300
WITH SERIAL NUMBERS AFTER 26G200000

FOR DOWN PRESSURE® HYDRAULICS
WITH SERIAL NUMBERS BEFORE 26D103000
WITH SERIAL NUMBERS AFTER 26D200000

Sno-Way®, Down Pressure® and EIS® are registered trademarks of Sno-Way International, Inc.
ProControl™, MegaBlade™, V-Wing™, E-Z Switch™, Revolution™, MaxAdjust™, SpeedLock™, and QuickJack™
are trademarks of Sno-Way International, Inc.

©2010 Sno-Way® International

97101026J

TABLE OF CONTENTS

	Page
PARTS LIST INTRODUCTION.....	2
POWER PACK FRAME.....	3
BLADES.....	6
HYDRAULIC SYSTEM - GRAVITY DOWN.....	7
HYDRAULIC SYSTEM - DOWN PRESSURE.....	8
HYDRAULIC POWER UNIT - GRAVITY DOWN SYSTEM.....	9
HYDRAULIC POWER UNIT - DOWN PRESSURE SYSTEM.....	11
CONTROL SYSTEM WIRING - S.N. BEFORE: 26G100300, 26D103000.....	13
PROCONTROL SYSTEM WIRING - S.N. AFTER: 26G200000, 26D200000.....	14
AUXILIARY LIGHTS - S.N. : 26D100000 - 26D100149.....	15
AUXILIARY LIGHTS - S.N. AFTER: 26D100150, 26G100000.....	17
POWER PACK WIRING.....	19
NUMERICAL INDEX.....	20

PARTS LIST INTRODUCTION

Our dealership network stands by to provide you with any assistance you may require, including genuine Sno-Way service parts. All parts should be obtained from or ordered through your dealer. Give complete information about the part as well as the Model Number and Serial Number of your machine.

Record the Serial Number in the space provided in your Owner's Manual for quick reference. The Serial Number for the unit is on a plate located on the left frame gusset of the Hopper Frame.

"Right" and "Left" are determined from a position sitting on the Operators Seat of the vehicle.

We reserve the right to make changes or improvements in the design or construction of any part without incurring the obligation to install such changes in any unit previously delivered.

USING THIS PARTS LIST

Below is parts listing with four columns. The first column is the "ITEM", the second is the "PART NUMBER", The third is the "DESCRIPTION" and the fourth is the "QUANTITY".

The **"ITEM"** is the number used in the corresponding illustration.

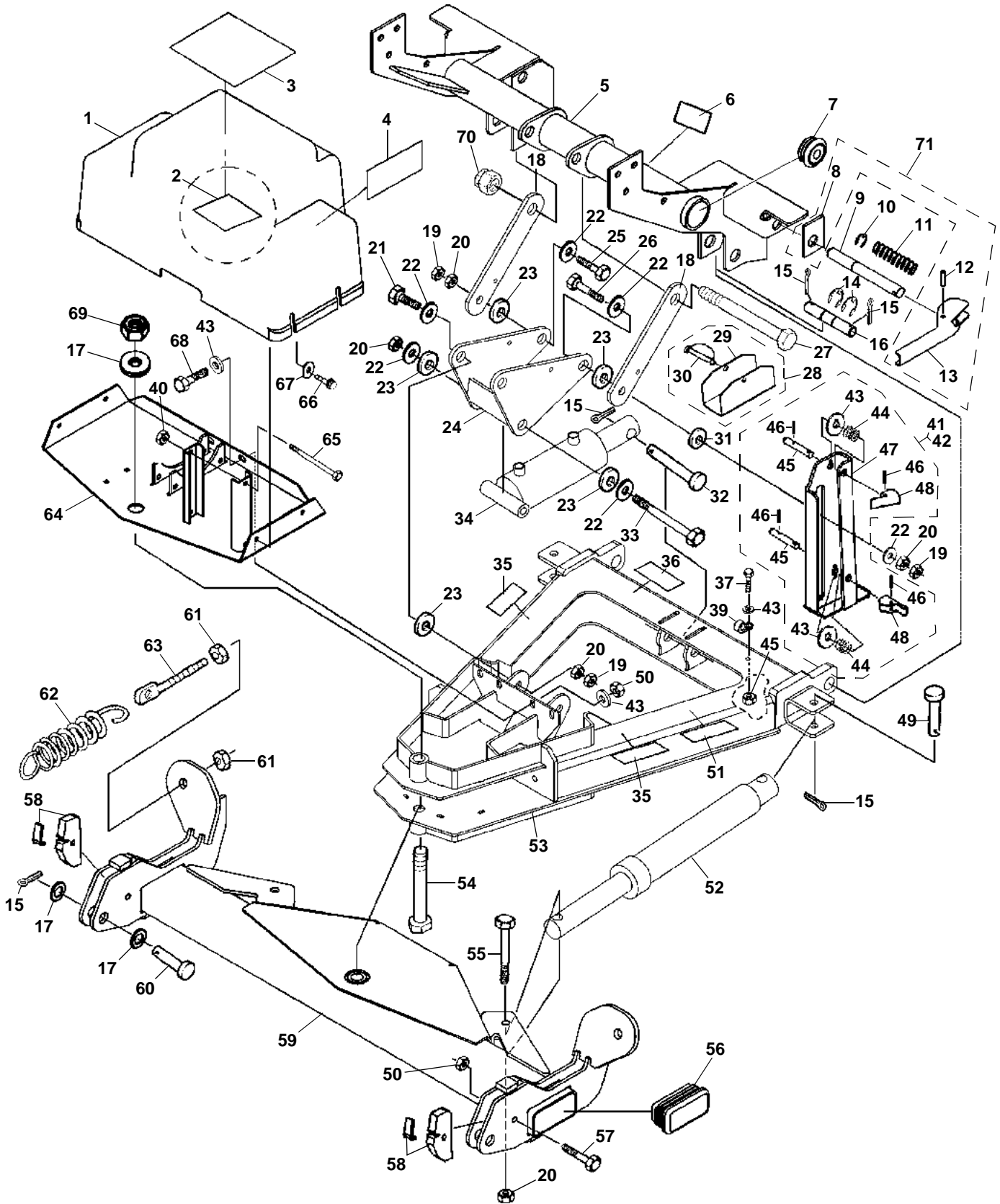
The **"PART NO."** is the number used to order replacement parts. If a number does not appear in the column the part is only available by ordering the complete assembly.

The **"DESCRIPTION"** is the name of the replacement part. At times the name may be indented, this means that the indented parts are part of the preceding assembly.

The **"QTY."** is the quantity needed to service the assembly illustrated, not the complete product.

ITEM	PART NO.	DESCRIPTION	QTY.
196100083	O-ring	1	
296001529	Elbow	3	
398100036	Capscrew, Hex., 3/8"-16NC x 7/8"9		

POWER PACK FRAME

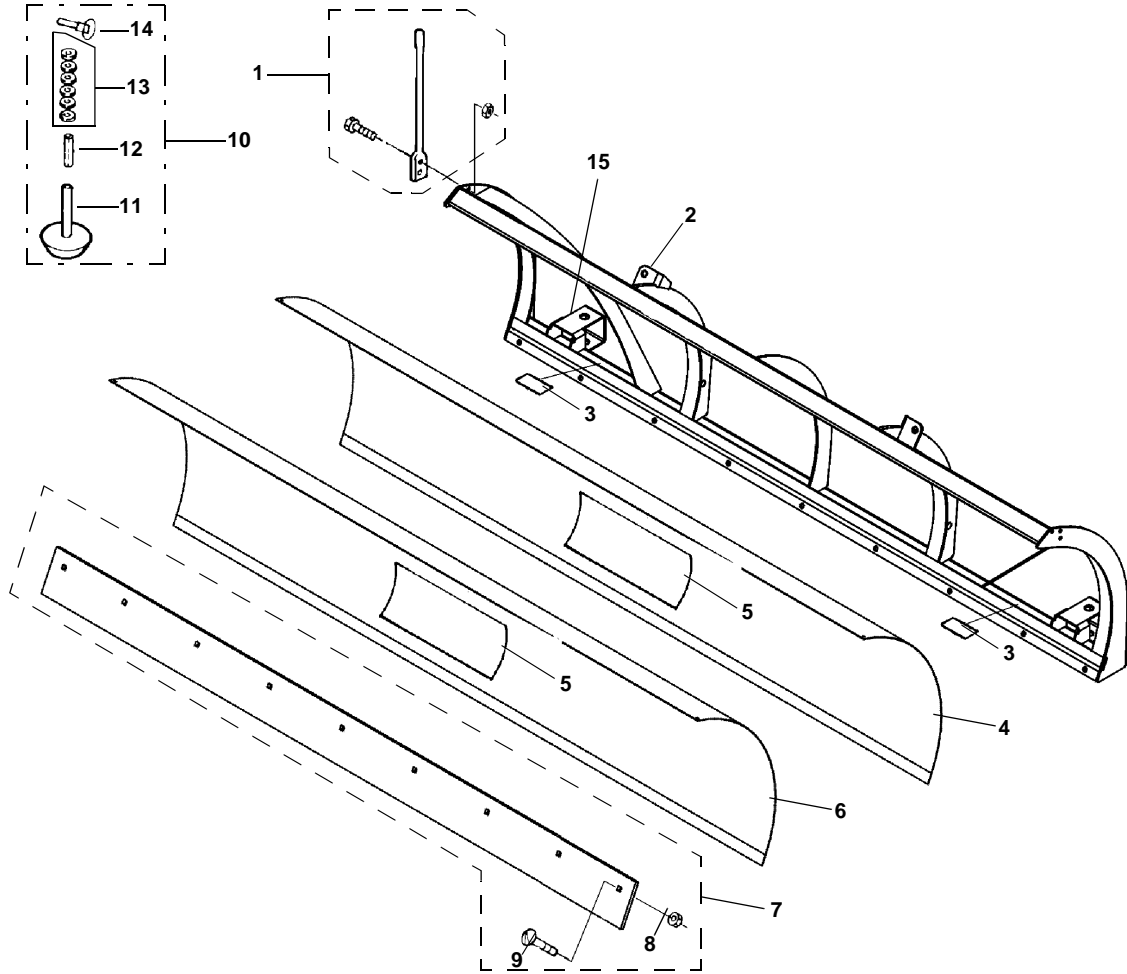


POWER PACK FRAME

ITEM	PART NO.	DESCRIPTION	QTY
1	96106073	Cover, Pump	1
2	97101582	Decal, Wiring Schematic, ProControl	1
	97100750	Decal, DP System.....	1
	97100752	Decal, Gravity System	1
3	97100986	Decal, Mounting Instructions	1
4	97101087	Decal, Warning, Cover Removal.....	1
5	96109015	Light/Lift Bar, Quick-Attach	1
	96107551	Assembly, Light/Lift Bar, Quick-Attach (includes items 8, 9, 10, 11, 12, 13)	1
6	97100400	Decal, Warning	1
7	96108873	End Cap, 2-1/4"	2
8	96107329	Plate, Bearing, Polyethylene (for plows with vertical cams)2	
	96110515	Plate, Bearing, Polyethylene (for plows with horizontal cams, use kit item 71)	2
9	96107128	Pin, Quick-Tatch - Upper Hitch Pin (for plows with horizontal cams)	2
	96107012	Pin, Quick-Tatch - Upper Hitch Pin (for plows with vertical cams)	2
10	98100312	E-Ring.....	2
11	96107130	Spring, SS (for plows with horizontal cams)	2
	96107505	Spring, SS (for plows with vertical cams)	2
12	98100313	Pin, Roll, 1/4 x 1-3/8" SS	2
13		Handle, Quick-Release (for plows with horizontal cams) (use kit item 71)	
	96107013	Handle, Quick-Release (for plows with vertical cams).....	2
14	98100326	E-Ring, 7/8"	4
15	98009085	Pin, Cotter, 5/32" x 1-1/2"	9
16	96107014	Pin, Quick Hitch - Lower Hitch Pin (Use for Serial Numbers on or before 26D102153 of 26G100194)	2
	96109929	Pin, Quick Hitch - Lower Hitch Pin (Use for Serial Numbers on or after 26D102154 or 26G100195)	2
17	98009030	Washer, Flat, 3/4"	5
18	96106913	Link, Lift	2
19	98100172	Nut, Jam, 1/2"-13	4
20	98009013	Nut, Nylock, 1/2"-13	7
21	98100390	Cap Screw, Hex, 1/2"-13 x 1-3/4"	2
22	98100176	Washer, Hardened.....	7
23		Spacer, Lift Bar (Available only in Kit)	
	96110394	Kit, Spacer (includes item 27, 70, two of item 19, 20, 21, and six of item 23)	6
24	96105618	Bellcrank	1
25	98100010	Cap Screw, Hex, 1/2"-13 x 2".....	1
26	98100062	Cap Screw, Hex, 1/2"-13 x 2-1/4"	1
27	98100324	Cap Screw, Hex, 3/4"-10 x 6-1/2"	1
28	96107767	Clamp, Cylinder Lock, Gravity Down	1
	96107768	Clamp, Cylinder Lock, Down Pressure	1
29		Clamp, Cylinder Lock, Gravity Down	1
		Clamp, Cylinder Lock, Down Pressure	1
30		Pin, Wire Lock.....	1
31	96102168	Spacer, Stand	1
32	98100007	Pin, Clevis, 3/4" x 4".....	1
33	98009114	Cap Screw, Hex, 1/2"-13 x 6".....	1
34	96106076	Cylinder, Lift, Gravity Down	1
	96106077	Cylinder, Lift, Down Pressure	1
35	97100876	Decal, Warning, Pinch Point	2
36	97100005	Decal, Patent	1
37	98009027	Cap Screw, Hex, 1/4"-20 x 1".....	1

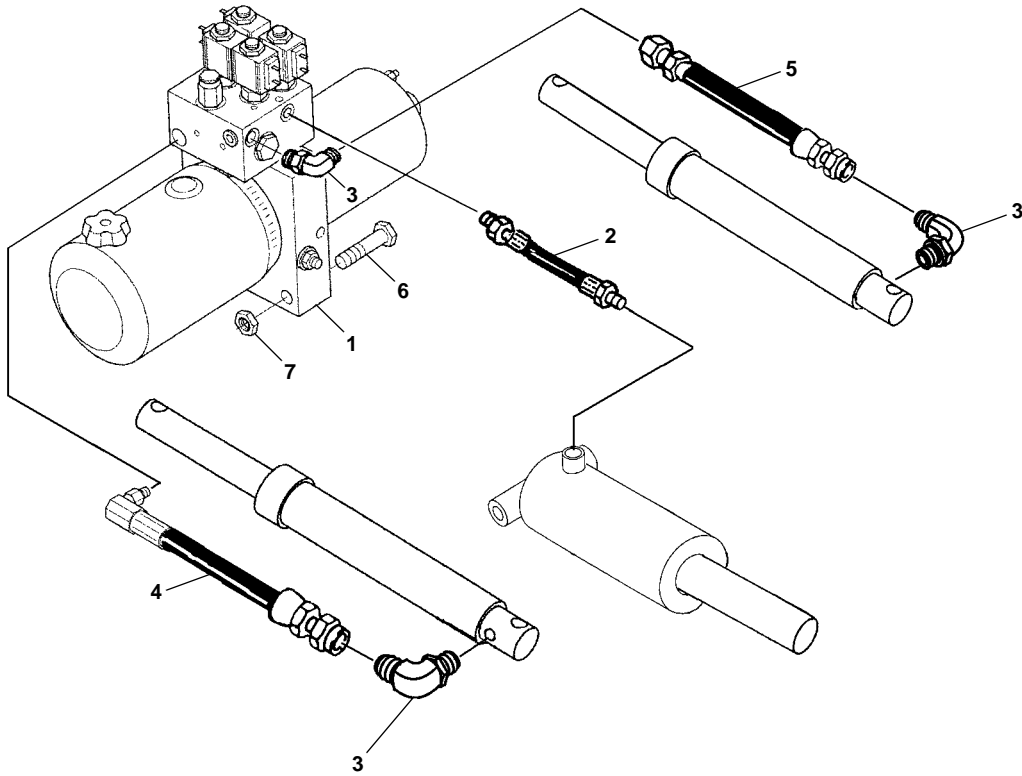
ITEM	PART NO.	DESCRIPTION	QTY
38	98100254	Washer, Flat, 1/4"	1
39	96101891	Clamp, Tube	1
40	98100255	Nut, Nylock, 1/4"-20	2
41	98009032	Washer, 3/8"	6
42		Spring, Latch	2
43		Pin, Latch	2
44		Roll Pin, 5/32" x 7/8"	4
45	96106986	Jackstand	1
46		Cam, Jackstand	2
47	98100314	Pin, Clevis, 1/2" x 3"	2
48	98009009	Nut, Hex Nylock, 3/8"-16	4
49	97100001	Decal, Warning	1
50	96110952	Cylinder, Angle, 1-1/4"	2
51	96107513	A-Frame	1
52	98100325	Cap Screw, Hex, 3/4"-10 x 7"	1
53	98009036	Cap Screw, Hex, 1/2"-13 x 3-1/2"	2
54	96108876	End Cap, 2 x 4"	2
55	98100020	Cap Screw, Hex, 3/8"-16 x 1-3/4"	2
56	96107395	Kit, Cushion/Stop, Blade Trip	1
57	96106148	Frame, Swing	1
58	98100315	Pin, Clevis, 3/4" x 2"	2
59	98009078	Nut, Hex, 5/8"-11	4
60	96001392	Spring, Trip	2
61	98009037	Eye Bolt, 5/8"-11 x 6"	2
62	96106184	Platform, Pump	1
63	98100266	Cap Screw, Hex, 1/4"-20 x 6"	1
64	98019176	Screw, Flange Head, Self-Tapping, 5/16" x 1"	4
65	98019230	Washer, Flat, 5/16"	4
66	98009022	Cap Screw, Hex, 3/8"-16 x 1"	2
67	98100323	Nut, Hex, 3/4"-10	1
68	98009003	Nut, Nylock, 3/4"-10	1
69	99100953	Kit, Cam Handle (includes item 8,12, and 13)	2

BLADES



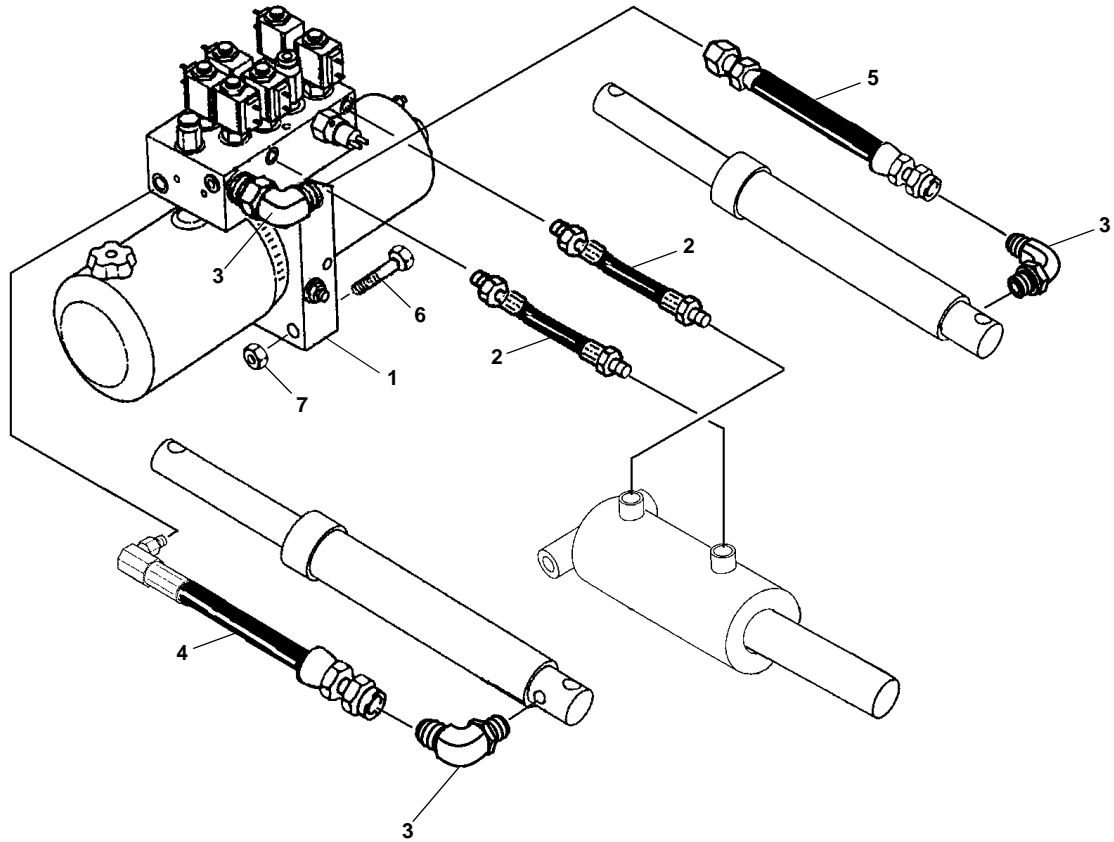
ITEM	PART NO.	DESCRIPTION	QTY
1	96112352	Kit, Guide, Blade (Includes 2 Guides And Mounting Hardware).....	1
2		Frame, 80"	1
		Frame, 90"	1
3	97100018	Decal, Warning	2
4	96107647	Kit, Skin, Polycarbonate, 80" (Includes "Sno-Way" Decal)	1
	96107648	Kit, Skin, Polycarbonate, 90" (Includes "Sno-Way" Decal)	1
5	97100879	Decal, Sno-Way (Used With Steel Blade)	1
	97100880	Decal, Sno-Way (Used With Polycarbonate Blade).....	1
6	96107555	Blade Skin, Steel, 80" (Includes "Sno-Way" Decal)	1
	96107557	Blade Skin, Steel, 90" (Includes "Sno-Way" Decal)	1
7	96107649	Kit, Wearstrip, Steel, 80".....	1
	96106668	Kit, Wearstrip, Steel, 90".....	1
8	98009013	Nut, Hex., Nylock, 1/2" - 13.....	9
9	98009171	Bolt, Carriage, Gr. 5, 1/2"-13 x 1-1/2"	9
10	96102542	Assembly, Shoe	2
11		Shoe, Cast, 1" Shaft	1
12		Spacer, 1"	1
13	98009005	Washer, Flat, 1"	13
14	98009169	Pin, Lynch, 1/4" x 1-9/16"	1
15	96106375	Brkt., Shoe, 29, 26.....	2

HYDRAULIC SYSTEM GRAVITY DOWN



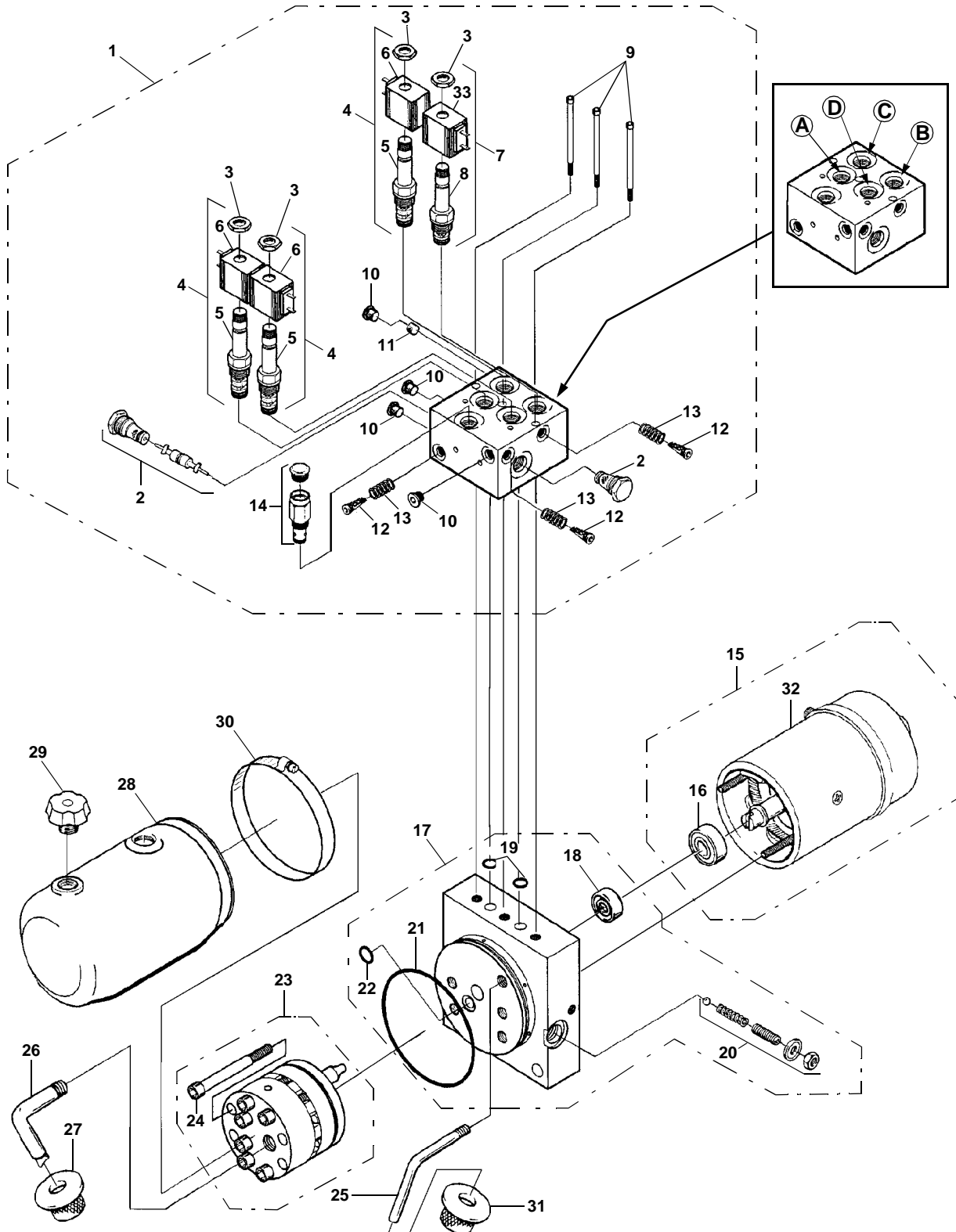
ITEM	PART NO.	DESCRIPTION	QTY
1		Power Unit, Gravity (See Page 9 for parts breakdown)	1
2	96106069	Hose, Hydraulic, 18-3/4"	1
3	96100001	Fitting, Elbow, 90 Degree	3
4	96106070	Hose, Hydraulic, 27-1/2"	1
5	96106071	Hose, Hydraulic, 32"	1
6	98100264	Capscrew, Hex Head, 5/16"-18 x 2-1/4"	2
7	98009150	Nylock, Hex Head, 5/16"-18	2

HYDRAULIC SYSTEM DOWN PRESSURE



ITEM	PART NO.	DESCRIPTION	QTY
1		Power Unit, DP (See Page 11 for parts breakdown)	1
2	96106069	Hose, Hydraulic, 18-3/4"	2
3	96100001	Fitting, Elbow, 90 Degree	3
4	96106070	Hose, Hydraulic, 27-1/2"	1
5	96106071	Hose, Hydraulic, 32"	1
6	98100264	Capscrew, Hex Head, 5/16"-18 x 2-1/4"	2
7	98009150	Nylock, Hex Head, 5/16"-18	2

HYDRAULIC POWER UNIT GRAVITY DOWN SYSTEM



HYDRAULIC POWER UNIT GRAVITY DOWN SYSTEM

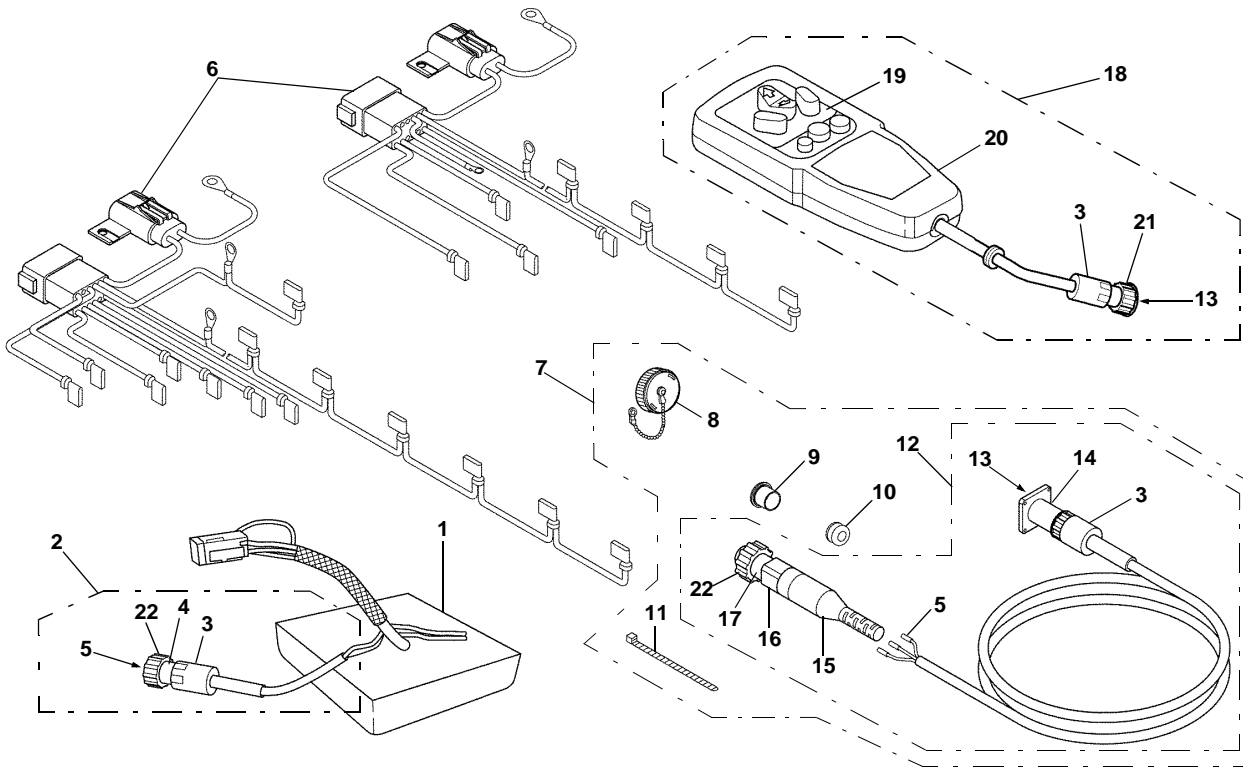
ITEM	PART NO.	DESCRIPTION	QTY
1		Valve Assembly.....	1
2	96106273	Valve, Check	1
3	96105275	Nut, Coil Retaining.....	4
4		Valve, 10V DC (Red Coil) - Use part 96108341	3
	96108341	Valve, 3-Way, 10V DC (Black Coil)	3
5		Cartridge (Red Coil) - Use part 96108341.....	3
	96108324	Cartridge, 3-Way (Black Coil)	3
6	96105274	Coil, 10V DC (Red).....	4
	96108323	Coil, 10V DC (Black).....	4
7		Valve, 10V DC (Red Coil) - Use part 96108342	1
	96108342	Valve, 2-Way, 10V DC (Blue Coil)	1
8		Cartridge (Red Coil) - Use part 96108342.....	1
	96108325	Cartridge, 2-Way (Blue Coil).....	1
9	96105237	Screw.....	3
10	96105234	Fitting, Plug.....	4
11	96105255	Fitting, Orifice	1
	96108627	Kit, Orifice (to adjust drop rate).....	1
12	96105250	Screen, Inline.....	3
13	96105251	Spring, Retaining	3
14	96105243	Valve, Relief, Cross Over	1
15	96106802	Motor, 12V DC	1
16		Bearing, Motor Base	1
17		Base Assembly, Pump	1
18	96105317	Seal, Shaft	1
19	96105314	O-Ring	2
20	96105313	Parts Kit, Relief Valve	1
21	96105315	O-Ring	1
22	96105316	O-Ring	1
23	96105248	Pump Assembly.....	1
24		Screw, Socket Head Cap	4
25	96105249	Tube, Return	1
26	96105246	Tube, Suction	1
27	96105245	Filter, Suction	1
28	96105241	Reservoir	1
29	96105244	Filler Cap	1
30	96105231	Clamp	1
31	96105318	Filter, Return	1
32	96106803	Brush, Replacement Kit.....	1
33	96111171	Coil, 10V DC (Blue Coil)	1

HYDRAULIC POWER UNIT DOWN PRESSURE SYSTEM

ITEM	PART NO.	DESCRIPTION	QTY
1		Valve Assembly	1
2	96106273	Valve, Check	1
3	96105275	Nut, Coil Retaining	6
4		Valve, 10V DC (Red Coil) - Use part 96108341	3
	96108341	Valve, 3-Way, 10V DC (Black Coil)	3
5		Cartridge (Red Coil) - Use part 96108341	3
	96108324	Cartridge, 3-Way (Black Coil)	3
6	96105274	Coil, 10V DC (Red)	6
	96108323	Coil, 10V DC (Black)	6
7		Valve, 10V DC (Red Coil) - Use part 96108342	3
	96108342	Valve, 2-Way, 10V DC (Blue Coil)	3
8		Cartridge (Red Coil) - Use part 96108342	3
	96108325	Cartridge, 2-Way (Blue Coil)	3
9	96105237	Screw	3
10	96105238	Valve, Check	2
11	96105253	Valve, Relief, Down Pressure (460-500 psi)	1
12	96105250	Screen, Inline	4
13	96105251	Spring, Retaining	4
14	96105240	Fitting, Plug	2
15	96105234	Fitting, Plug	4
16	96106103	Fitting, Orifice	1
	96108627	Kit, Orifice (to adjust drop rate)	1
17	96105243	Valve, Relief, Crossover (2000 psi)	1
18	96101976	Switch, Pressure (325 psi)	1
19	96106802	Motor, 12V DC	1
20		Bearing, Motor Base	1
21		Base Assembly, Pump	1
22	96105313	Parts Kit, Relief Valve	1
23	96105314	O-Ring	2
24	96105315	O-Ring	1
25	96105316	O-Ring	1
26	96105317	Seal, Shaft	1
27	96105248	Pump Assembly	1
28		Screw, Socket Head Cap	4
29	96105246	Tube, Suction	1
30	96105245	Filter	1
31	96105241	Reservoir	1
32	96105244	Filler Cap	1
33	96105231	Clamp	1
34	96105249	Tube, Return	1
35	96105318	Filter, Return	1
36	96106803	Brush Replacement Kit	2
37	96111171	Coil, 10V DC (Blue Coil)	3

CONTROL SYSTEM WIRING

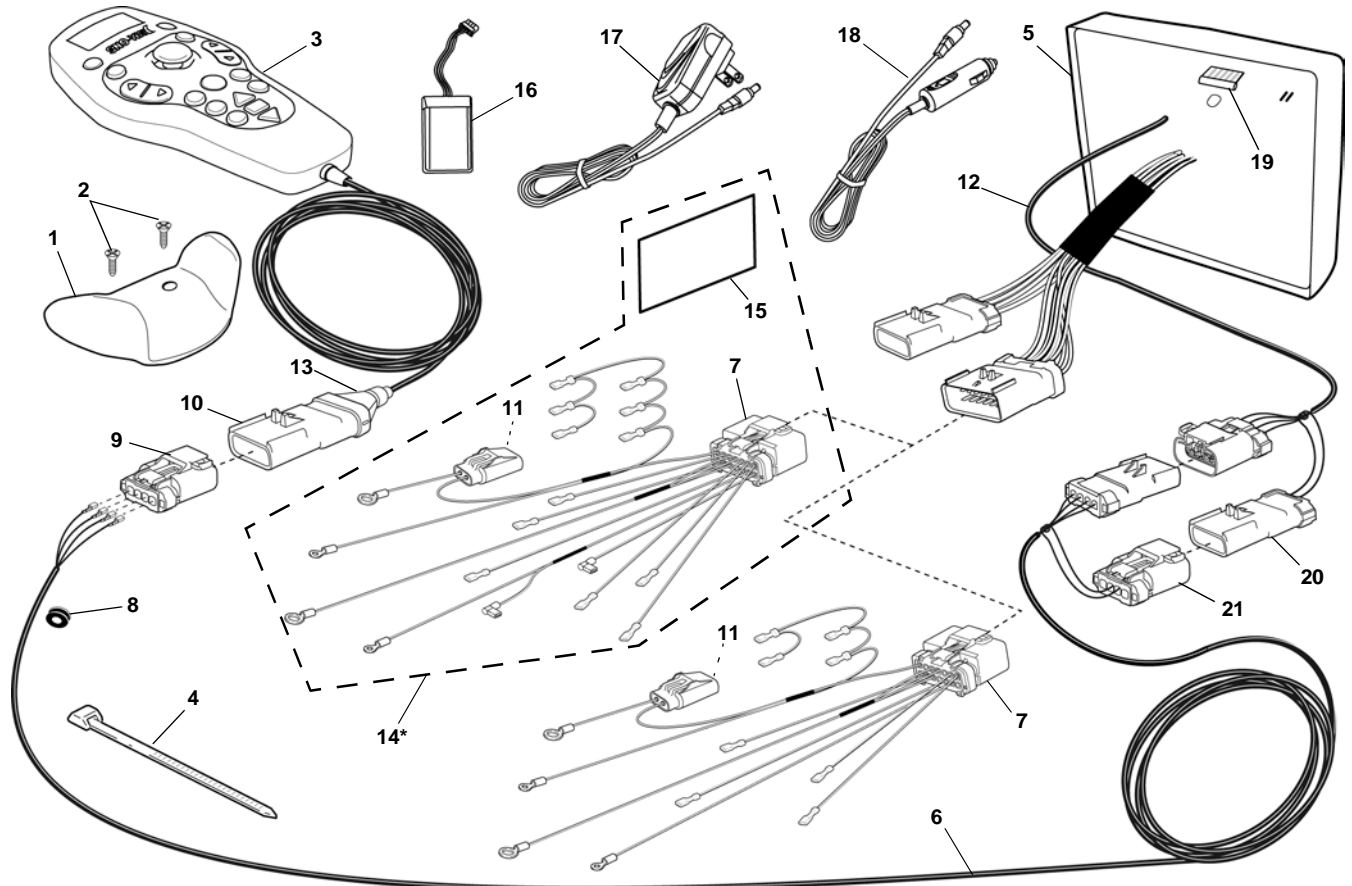
With S.N. Before: 26G100300, 26D103000



ITEM	PART NO.	DESCRIPTION	QTY
1	96105084	Module, Wired Control.....	1
	96107734	Module, Wireless Control	1
2	96105487	Harness Repair Kit	1
3	96105709	Clamp, Cable.....	3
4	96105418	Connector, Plug.....	1
5	96105370	Contact, Signal Socket	6
6	96105131	Harness, Solenoids - Gravity Down.....	1
	96108247	Harness, Solenoids - Down Pressure.....	1
7	96105081	Bag, Harness Controls	1
8	96105300	Cap, Screw-On.....	1
9	96105284	Cap, 1/2".....	1
10	96104893	Grommet, 5/16" ID.....	1
11	96001227	Strap, Plastic Tie	5
12	96105101	Harness, Vehicle.....	1
13	96105416	Contact, Signal Pin.....	6
14	96105710	Connector, Receptacle, Flanged	1
15	96105419	Boot, Cable.....	1
16	96105420	Grip, Cable	1
17	96105708	Connector, Plug, Unsealed.....	1
18	96107354	Controller Assembly, Wired	1
	96107355	Controller Assembly, Wireless	1
19	96107356	Touch Pad, Straight Blade	1
20	96105299	Housing, Controller, Complete	1
21	96105417	Connector, Receptacle	1
22	96106533	Coupling Ring.....	2
23	96107382	Controller, Joystick, Str, Wired (not shown).....	1
	96106472	Controller, Joystick, Str, Wireless (not shown)	1
24	96105325	Insertion Tool for Circular Connectors (not shown)	1
25	96105404	Extraction Tool for Circular Connectors (not shown)	1
26	96105877	Kit, Connector Repair (not shown) (includes: (3) #3, (1) #4, (6) #5, (6) #13,(1) #14, (1) #15, (1) #16, (1) #17, (1) #21, (1) #24 and (1) #25).....	1

PROCONTROL SYSTEM WIRING

With S.N. After: 26G200000, 26D200000

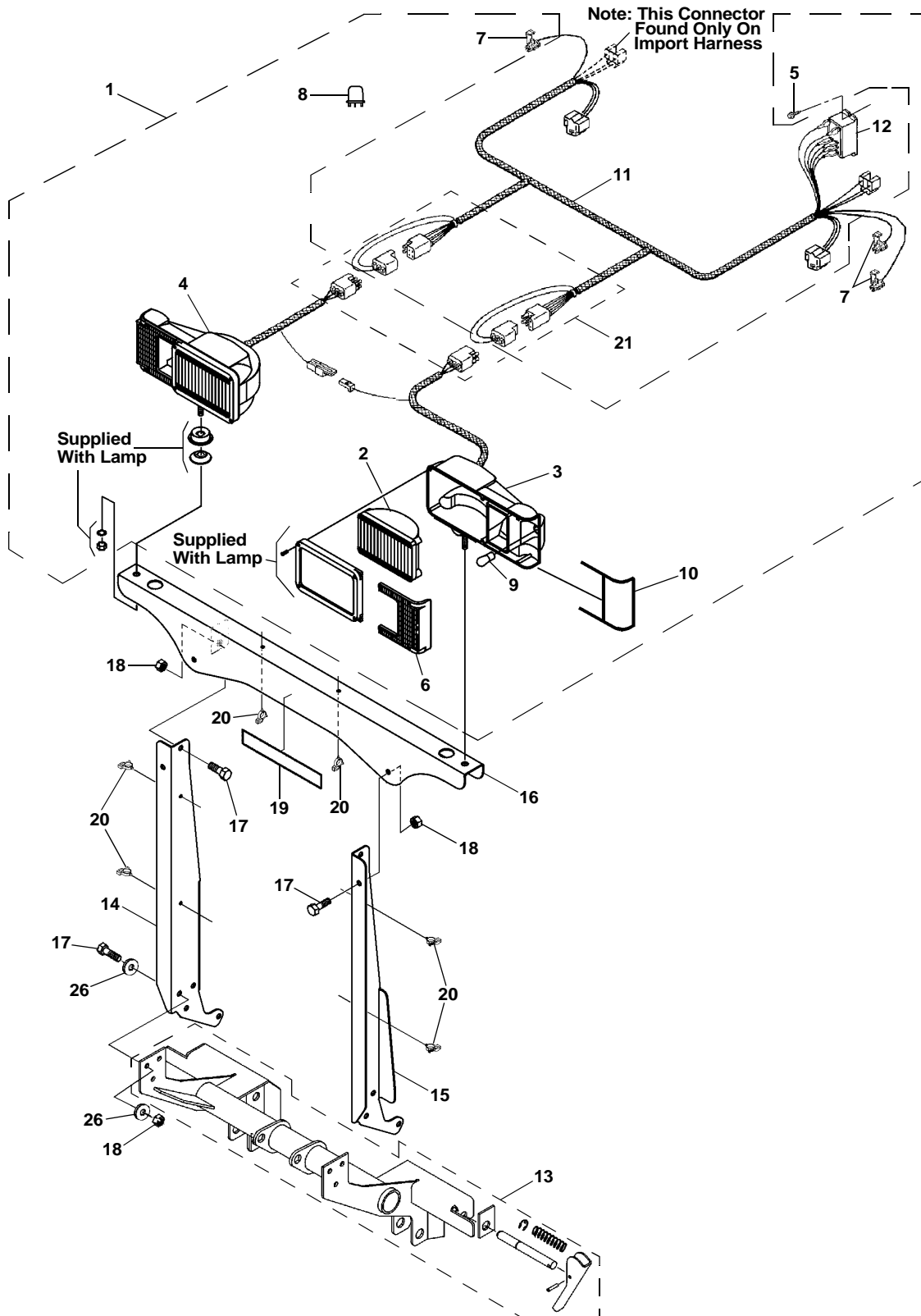


ITEM	PART NO.	DESCRIPTION	QTY
1	96112259	Clip, Dash Mount.....	1
2	98100463	Screw.....	2
3	96112246	Transmitter, Wired	1
	96112244	Transmitter, Wireless	1
4	96001227	Strap, Plastic Tie	5
5	96112998	Module, Receiver, Wired, Universal	1
	96112260	Module, Receiver, Wireless, Universal	1
6	96112913	Harness, Vehicle	1
7	96112193	Harness, Control, Solenoid, Down Pressure.....	1
		Harness, Control, Solenoid, Gravity Down (Order Kit #96112955)	1
8	96112419	Rubber Grommet.....	1
9	96112300	Connector, Female 4 Way APEX.....	1
	96108662	Terminal, Female, 18/20 AWG (Not shown).....	1
10	96112301	Connector, Male 4 Way APEX.....	1
	96108661	Terminal, Male, 18/22 AWG (Not shown).....	1
11	96112496	Fuse, 10 AMP (Not shown - In holder)	1
12	96112931	Kit, Module Harness Repair, ProControl Wired (Not shown).....	1
13	96112840	Strain Relief.....	1
14	96112955*	Kit, Solenoid Harness, ProControl (Includes Harness, Decal & Instructions) .	1
15	97101582	Decal, DP System, ProControl/Legacy	1
16	96112258	Battery, Wireless	1
17	96113316	Wall Charger, ProControl, 120V AC	1
18	96112376	Car Charger, ProControl, 12V DC	1
19	96112985	Cap, Silicone	1
20	96112872	Cap, Storage, Male.....	1
21	96112871	Cap, Storage, Female.....	1

NOTE: The part descriptions above may use common industry standard abbreviations in the naming conventions.
 *Kit will upgrade Legacy (See page 17) DP or Gravity units. A ProControl system package must also be ordered to use this kit.

AUXILIARY LIGHTS

S.N. : 26D100000 - 26D100149



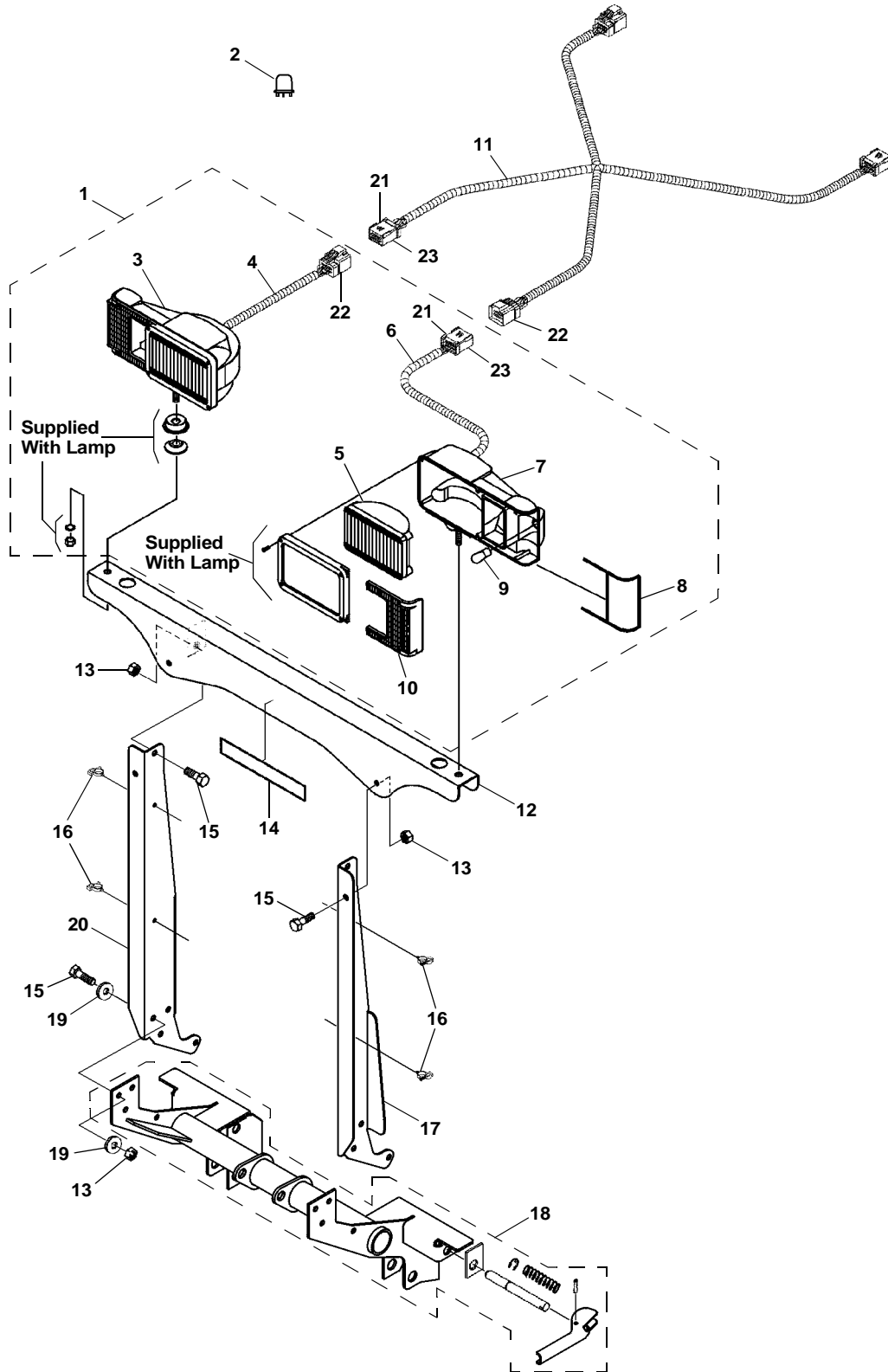
AUXILIARY LIGHTS

S.N. : 26D100000 - 26D100149

ITEM	PART NO.	DESCRIPTION	QTY
1	96106606	Kit, Lamp	1
2	96100514	Lamp, Sealed Beam	2
3	96106690	Light, Assembly, LH	1
4	96106691	Light, Assembly, RH	1
5	98100037	Screw, Self Tapping #10-16 x 1"	2
6	96106692	Lens, Turn Signal	2
7	96002039	Scotch Lock™ Connector	3
8	96003010	Flasher	1
9	96003060	Lamp, Park & Turn	2
10	96106693	Gasket, Turn Signal	2
11	99100196	Harness, Wiring, Standard	1
	99100197	Harness, Wiring, Import	1
12	96101536	Relay, DPDT	1
13	96107551	Assembly, Light/Lift Bar, Quick-Attach	1
14	96108631	Support, RH	1
15	96108630	Support, LH	1
16	96108030	Assy., Light Bar	1
17	98009022	Capscrew, Hex., 3/8"-16 x 1"	10
18	98009009	Nut, Hex., Nylock, 3/8"-16	10
19	97100882	Decal, Sno-Way	1
20	96100440	Clip, Rosebud	6
21	96102116	KIT, PLUG REPAIR	1
22		Connector, Male End	2
23		Connector, Female End	2
24		Connector, Butt	24
25		Tube, Shrink	24
26	98009032	Washer, Flat, 3/8"	6

AUXILIARY LIGHTS

S.N. AFTER: 26D100150, 26G100000



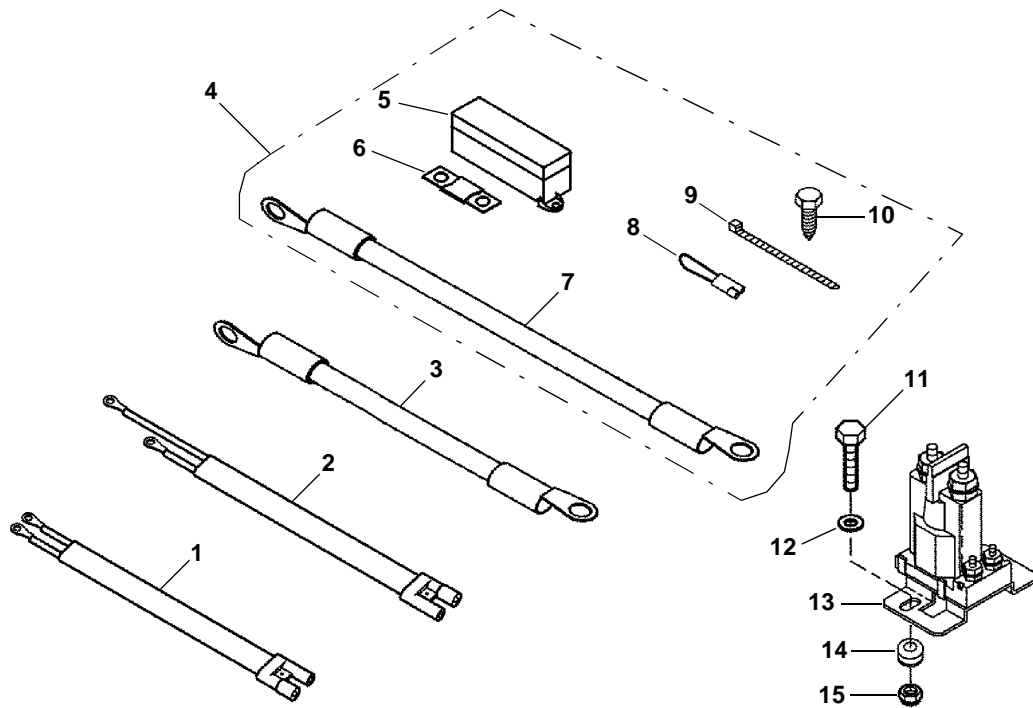
AUXILIARY LIGHTS

S.N. AFTER: 26D100150, 26G100000

ITEM	PART NO.	DESCRIPTION	QTY
1	96107893	Kit, Lamp, EIS.....	1
2	96003010	Flasher.....	1
3	96107984	Light, Assembly, RH, EIS.....	1
4	96107986	Harness, Plow Light, RH, EIS.....	1
5	96100514	Lamp, Sealed Beam	2
6	96107985	Harness, Plow Light, LH, EIS	1
7	96107983	Light, Assembly, LH, EIS	1
8	96106693	Gasket, Turn Signal	2
9	96003060	Lamp, Park & Turn	2
10	96106692	Lens, Turn Signal.....	2
11	96107894	Harness, Main Light, EIS*	1
12	96108030	Assy., Light Bar.....	1
13	98009009	Nut, Hex., Nylock, 3/8"-16	12
14	97100882	Decal, Sno-Way.....	1
15	98009022	Capscrew, Hex., 3/8"-16 x 1"	12
16	96100440	Clip, Rosebud	4
17	96108630	Support, LH	1
18	96107551	Assembly, Light/Lift Bar, Quick-Attach.....	1
19	98009032	Washer, Flat, 3/8"	8
20	96108631	Support, RH.....	1
21	96108116	Connector, Male	2
22	96108117	Connector, Female	2
23	96108600	Clip, Secondary Lock.....	2

* NOTE: Adapter required. See Application Guide

POWER PACK WIRING



ITEM	PART NO.	DESCRIPTION	QTY
1	96104221	Harness, Battery Power	1
2	96104230	Harness, Plow Power	1
3	96105273	Harness, Solenoid - HT Series	1
4	96105167	Bag Power Harness Parts	1
5	96109143	Fuse Holder	1
6	96109142	Fuse, 250 Amp	1
7	96102891	Cable, Power	1
8	96105082	Cap, Protective	2
9	96001227	Strap, Tie Plastic	2
10	98100037	Screw, Self Tapping, #10-16 x 1"	2
11	98009027	Capscrew, Hex, 1/4"-20 x 1"	2
12	98100254	Washer, Flat, 1/4"	2
13	96002086	Switch, Solenoid	1
14	96105282	Grommet, 3/8" ID	2
15	98100255	Nut, Hex Head Nylock, 1/4"-20	2

NUMERICAL INDEX

PART NO.	PAGE	ITEM	PART NO.	PAGE	ITEM	PART NO.	PAGE	ITEM
96001227	13	11	96105250	10	12		12	2
	14	4		12	12	96106375	6	15
	19	9	96105251	10	13	96106472	13	23
96001392	5	62		12	13	96106533	13	22
96002039	16	7	96105253	12	11	96106605	4	41
96002086	19	13	96105255	10	11	96106606	16	1
96003010	16	8	96105273	19	3	96106668	6	7
	18	2	96105274	10	6	96106690	16	3
96003060	16	9		12	6	96106691	16	4
	18	9	96105275	10	3	96106692	16	6
96100001	7	3		12	3		18	10
	8	3	96105282	19	14	96106693	16	10
96100440	16	20	96105284	13	9		18	8
	18	16	96105299	13	20	96106802	10	15
96100514	16	2	96105300	13	8		12	19
	18	5	96105313	10	20	96106803	10	32
96101536	16	12		12	22		12	36
96101891	4	39	96105314	10	19	96106913	4	18
96101976	12	18		12	23	96106986	5	47
96102116	16	21	96105315	10	21	96107012	4	9
96102168	4	31		12	24	96107013	4	13
96102542	6	10	96105316	10	22	96107014	4	16
96102891	19	7		12	25	96107128	4	9
96104221	19	1	96105317	10	18	96107130	4	11
96104230	19	2		12	26	96107329	4	8
96104893	13	10	96105318	10	31	96107354	13	18
96105081	13	7		12	35	96107355	13	18
96105082	19	8	96105325	13	24	96107356	13	19
96105084	13	1	96105370	13	5	96107382	13	23
96105101	13	12	96105404	13	25	96107395	5	58
96105131	13	6	96105416	13	13	96107505	4	11
96105167	19	4	96105417	13	21	96107513	5	53
96105231	10	30	96105418	13	4	96107551	4	5
	12	33	96105419	13	15		16	13
96105234	10	10	96105420	13	16		18	18
	12	15	96105487	13	2	96107555	6	6
96105237	10	9	96105618	4	24	96107557	6	6
	12	9	96105708	13	17	96107647	6	4
96105238	12	10	96105709	13	3	96107648	6	4
96105240	12	14	96105710	13	14	96107649	6	7
96105241	10	28	96105877	13	26	96107711	4	42
	12	31	96106069	7	2	96107734	13	1
96105243	10	14		8	2	96107767	4	28
	12	17	96106070	7	4	96107768	4	28
96105244	10	29		8	4	96107893	18	1
	12	32	96106071	7	5	96107894	18	11
96105245	10	27		8	5	96107983	18	7
	12	30	96106073	4	1	96107984	18	3
96105246	10	26	96106076	4	34	96107985	18	6
	12	29	96106077	4	34	96107986	18	4
96105248	10	23	96106103	12	16	96108030	16	16
	12	27	96106148	5	59		18	12
96105249	10	25	96106184	5	64	96108116	18	21
	12	34	96106273	10	2	96108117	18	22

NUMERICAL INDEX

PART NO.	PAGE	ITEM	PART NO.	PAGE	ITEM	PART NO.	PAGE	ITEM
96108247	13	6	97100400	4	6	98100312	4	10
96108323	10	6	97100750	4	2	98100313	4	12
	12	6	97100752	4	2	98100314	5	49
96108324	10	5	97100876	4	35	98100315	5	60
	12	5	97100879	6	5	98100323	5	69
96108325	10	8	97100880	6	5	98100324	4	27
	12	8	97100882	16	19	98100325	5	54
96108341	10	4		18	14	98100326	4	14
	12	4	97100986	4	3	98100390	4	21
96108342	10	7	97101087	4	4	98100463	14	2
	12	7	97101582	4	2	99100196	16	11
96108600	18	23		14	15	99100197	16	11
96108627	10	11	98009003	5	70	99100953	5	71
	12	16	98009005	6	13			
96108630	16	15	98009009	5	50			
	18	17		16	18			
96108631	16	14		18	13			
	18	20	98009013	4	20			
96108661	14	10		6	8			
96108662	14	9	98009022	5	68			
96108873	4	7		16	17			
96108876	5	56		18	15			
96109015	4	5	98009027	4	37			
96109142	19	6		19	11			
96109143	19	5	98009030	4	17			
96109929	5	16	98009032	5	43			
96110394	4	23		16	26			
96110515	4	8		18	19			
96110952	5	52	98009036	5	55			
96111171	10	33	98009037	5	63			
	12	37	98009078	5	61			
96112193	14	7	98009085	4	15			
96112244	14	3	98009114	4	33			
96112246	14	3	98009150	7	7			
96112258	14	16		8	7			
96112259	14	1	98009169	6	14			
96112300	14	9	98009171	6	9			
96112301	14	10	98019176	5	66			
96112352	6	1	98019230	5	67			
96112376	14	18	98100007	4	32			
96112419	14	8	98100010	4	25			
96112496	14	11	98100020	5	57			
96112840	14	13	98100037	16	5			
96112871	14	21		19	10			
96112872	14	20	98100062	4	26			
96112913	14	6	98100172	4	19			
96112931	14	12	98100176	4	22			
96112955	14	14	98100254	4	38			
96112985	14	19		19	12			
96112998	14	5	98100255	4	40			
96113316	14	17		19	15			
97100001	5	51	98100264	7	6			
97100005	4	36		8	6			
97100018	6	3	98100266	5	65			

NOTES

SNO-WAY[®] INTERNATIONAL, INC.

SNO-WAY[®]
SNOW & ICE CONTROL EQUIPMENT

Hartford, WI 53027 USA
Website: www.snoway.com
©2010 Sno-Way[®] International