

SNO-WAY®

SNOW & ICE CONTROL EQUIPMENT

SERVICE PARTS MANUAL

22 SERIES SNOW PLOWS WITH EIS® PLOW LIGHT HARNESS CONNECTIONS

FOR GRAVITY HYDRAULICS
WITH SERIAL NUMBERS BEFORE 22G100200
WITH SERIAL NUMBERS AFTER 22G200000

FOR DOWN PRESSURE® HYDRAULICS
WITH SERIAL NUMBERS BEFORE 22D102000
WITH SERIAL NUMBERS AFTER 22D200000

Sno-Way®, Down Pressure® and EIS® are registered trademarks of Sno-Way International, Inc.
ProControl™, MegaBlade™, V-Wing™, E-Z Switch™, Revolution™, MaxAdjust™, SpeedLock™, and QuickJack™
are trademarks of Sno-Way International, Inc.

©2010 Sno-Way® International

971010241

TABLE OF CONTENTS

	Page
PARTS LIST INTRODUCTION.....	2
POWER PACK FRAME.....	3
BLADES.....	6
HYDRAULIC SYSTEM - GRAVITY DOWN.....	7
HYDRAULIC SYSTEM - DOWN PRESSURE.....	8
HYDRAULIC POWER UNIT - GRAVITY DOWN SYSTEM.....	9
HYDRAULIC POWER UNIT - DOWN PRESSURE SYSTEM.....	11
CONTROL SYSTEM WIRING - S.N. BEFORE: 22G100200, 22D102000.....	13
PROCONTROL SYSTEM WIRING - S.N. AFTER: 22G200000, 22D200000.....	14
AUXILIARY LIGHTS	15
POWER PACK WIRING	17
NUMERICAL INDEX	21

PARTS LIST INTRODUCTION

Our dealership network stands by to provide you with any assistance you may require, including genuine Sno-Way service parts. All parts should be obtained from or ordered through your dealer. Give complete information about the part as well as the Model Number and Serial Number of your machine.

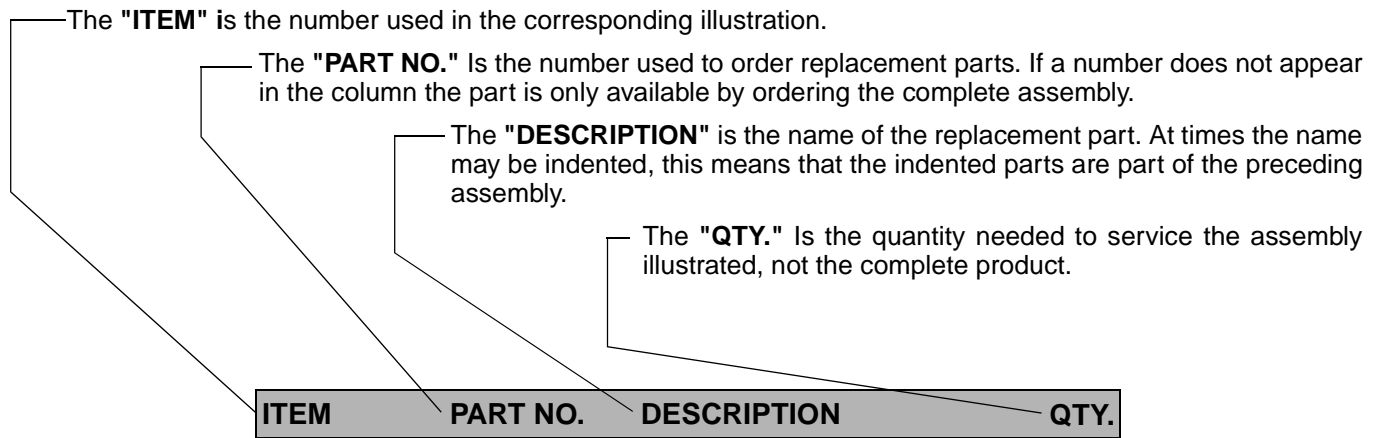
Record the Serial Number in the space provided in your Owner's Manual for quick reference. The Serial Number for the unit is on a plate located on the left frame gusset of the Hopper Frame.

"Right" and "Left" are determined from a position sitting on the Operators Seat of the vehicle.

We reserve the right to make changes or improvements in the design or construction of any part without incurring the obligation to install such changes in any unit previously delivered.

USING THIS PARTS LIST

Below is parts listing with four columns. The first column is the "ITEM", the second is the "PART NUMBER", The third is the "DESCRIPTION" and the fourth is the "QUANTITY".



ITEM	PART NO.	DESCRIPTION	QTY.
1	96100083	O-ring	1
2	96001529	Elbow	3
3	98100036	Capscrew, Hex.,3/8"-16NC x 7/8"	9

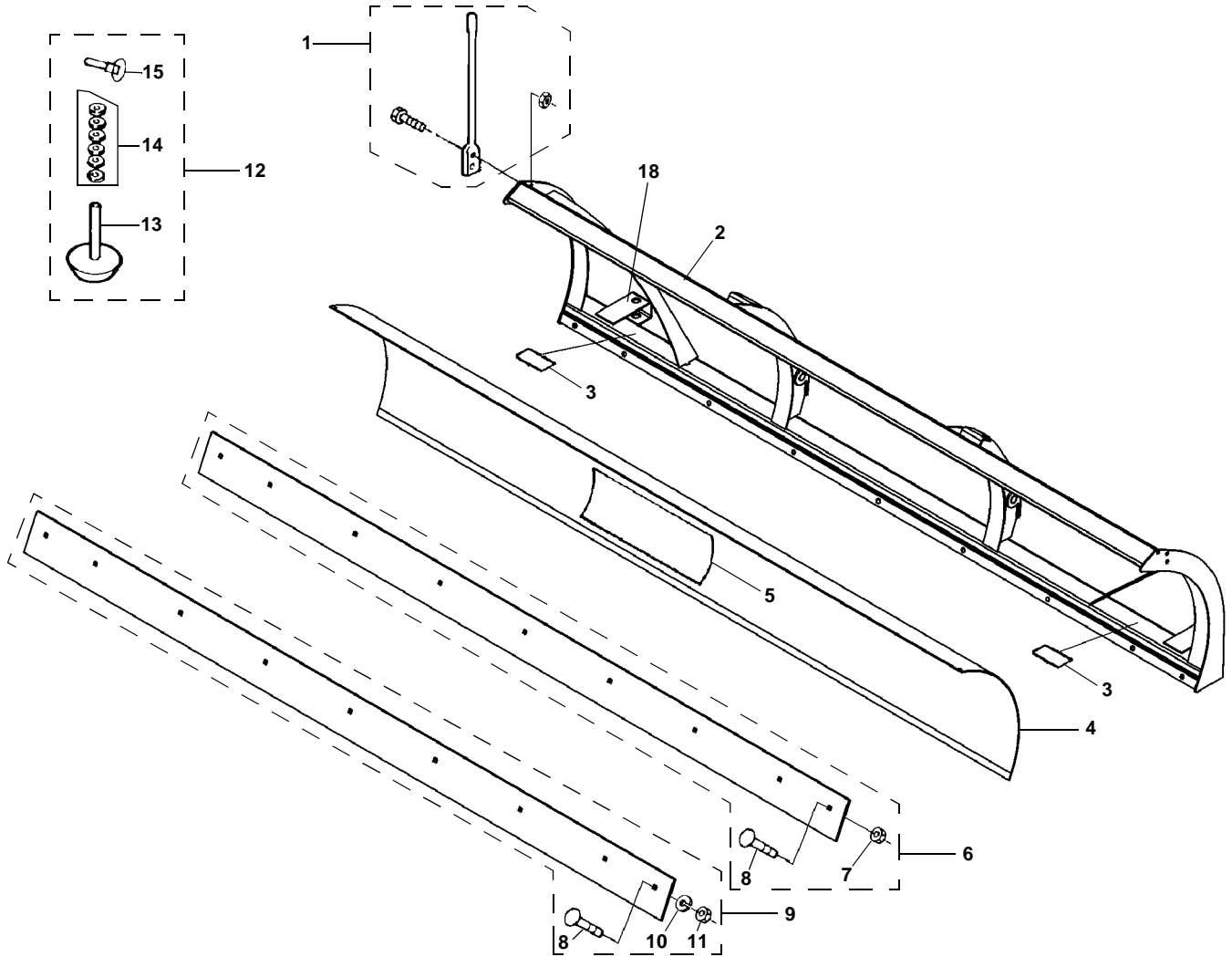
POWER PACK FRAME

ITEM	PART NO.	DESCRIPTION	QTY
1	96106073	Cover	1
2	97101582	Decal, Wiring Schematic, ProControl	1
	97100750	Decal, DP System.....	1
	97100752	Decal, Gravity System	1
3	97100986	Decal, Mounting Instructions	1
4	97101087	Decal, Warning, Cover Removal.....	1
5	96109014	Light/Lift Bar, Quick-Attach	1
5A	96107550	Assembly, Light/Lift Bar, Quick-Attach (Serial Numbers before 22D101184 and 22G100097, Order (2) lower hitch pins, item 16 with item 5.).....	1
6	97100400	Decal, Warning	1
7	96108875	End Cap, 1-1/2"	2
8	96110515	Plate, Bearing, Polyethylene	2
9	96107128	Pin, Quick-Tatch - Upper Hitch Pin	2
10	98100312	E-Ring.....	2
11	96107130	Spring, SS	2
12	98100313	Pin, Roll, 1/4 x 1-3/8" SS	2
13		Handle, Quick-Release (Available as Kit, Item 72)	
14	98100326	E-Ring, 7/8"	4
15	98009085	Pin, Cotter, 5/32" x 1-1/2"	10
16	96106958	Pin, Quick Hitch - Lower Hitch Pin (Use for Serial Numbers on or before 22D101183 and 22G100096)	2
	96109928	Pin, Quick Hitch - Lower Hitch Pin (Use for Serial Numbers on or after 22D101184 and 22G100097)	2
17	98009038	Nut, Nylock, 5/8"-11	1
18	96106885	Link, Lift	2
19	98100172	Nut, Jam, 1/2"-13	4
20	98009013	Nut, Nylock, 1/2"-13	5
21	98100390	Cap Screw, Hex, 1/2"-13 x 1-3/4"	2
22	98100176	Washer, Hardened	7
23		Spacer, Lift Bar (Available only in Kit)	
	96110393	Kit, Spacer (includes item 17, 28, two of item 19, 20, 21, and six of item 23)	6
24	96106884	Bellcrank	1
25	98100010	Cap Screw, Hex, 1/2"-13 x 2"	2
26	98100341	Pin, Cotter, 5/32" x 1"	1
27	96106893	Cylinder, Lift, Gravity Down	1
	96106894	Cylinder, Lift, Down Pressure	1
28	98009197	Cap Screw, Hex 5/8"-11 x 6"	1
29	96105278	Clamp, Cylinder Lock, Gravity Down	1
	96107769	Clamp, Cylinder Lock, Down Pressure	1
30		Clamp, Cylinder Lock, Gravity Down	1
		Clamp, Cylinder Lock, Down Pressure	1
31		Pin, Wire Lock.....	1
32	96102168	Spacer, Stand	1
33	98100251	Pin, Clevis, 5/8" x 3-1/2"	1
34	98009114	Cap Screw, Hex, 1/2"-13 x 6"	1
35	97100005	Decal, Patent	1
36	98009027	Cap Screw, Hex, 1/4"-20 x 1"	1
37	98100254	Washer, Flat, 1/4"	1
38	96101891	Clamp, Tube.....	1
39	96106605	Jackstand Assembly, 22/26/29/32 Series	1
40	96107711	Kit, Jackstand Hardware (includes one ea. items 41, 42, 43, 45, two item 44)	2
41	98009032	Washer, 3/8"	6
42		Spring, Latch	2
43		Pin, Latch.....	2
44		Roll Pin, 5/32" x 7/8"	4
45		Cam, Jackstand	2
46	96106986	Jackstand.....	1
47	98100322	Pin, Clevis, 1/2" x 2-3/8"	4
48	97100876	Decal, Warning, Pinch Point	2
49	98009009	Nut, Hex Nylock, 3/8"-16	2
50	98100255	Nut, Nylock, 1/4"-20	4
51	97100001	Decal, Warning	1
52	96110951	Cylinder, Angle, 1" (see Page 16 for parts breakdown)	2
53	96107512	A-Frame, 22 Series.....	1

POWER PACK FRAME

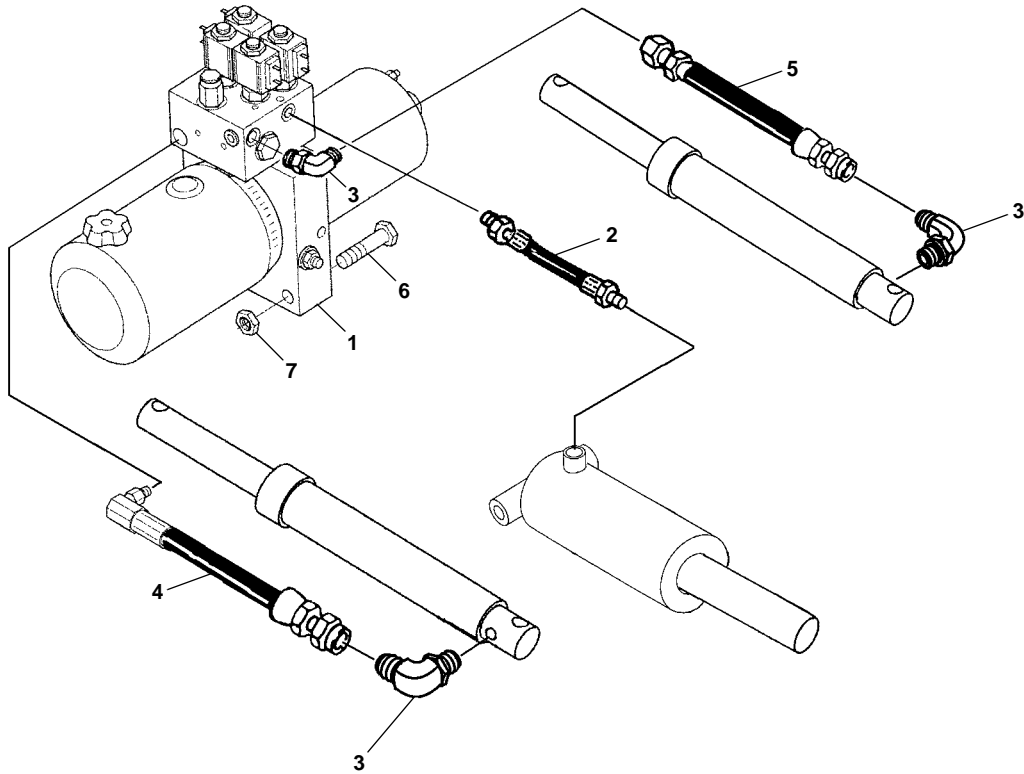
ITEM	PART NO.	DESCRIPTION	QTY
54	98100324	Cap Screw, Hex, 3/4"-10 x 6-1/2"	1
55	96107710	Spacer, Swing Cylinder 22	2
56		End Cap, 3 x 1-1/2"	2
57	98100340	Cap Screw, Hex, 1/4"-20 x 1-1/2"	2
58		Cushion/Stop, Blade Trip, 22 Series	1
59	96108338	Kit, Stop, Blade Trip, 22	1
60	96106391	Frame, Swing, 22 Series	1
61	98009030	Washer, Flat, 3/4"	3
62	98100320	Pin, Clevis, 3/4" x 1-5/8"	2
63	98009078	Nut, Hex, 5/8"-11	4
64	98100457	Eye Bolt, 5/8"-11 x 6"	2
65	96106889	Spring, Trip	2
66	96106903	Platform, Pump	1
67	98100266	Cap Screw, Hex, 1/4"-20 x 6"	1
68	98019176	Screw, Flange Head, Self-Tapping, 5/16" x 1"	4
69	98019230	Washer, Flat, 5/16"	4
70	98009022	Cap Screw, Hex, 3/8"-16 x 1"	2
71	98100323	Nut, Hex, 3/4"-10	1
72	99100953	Kit, Cam Handle (includes item 8,12, and 13)	2

BLADES



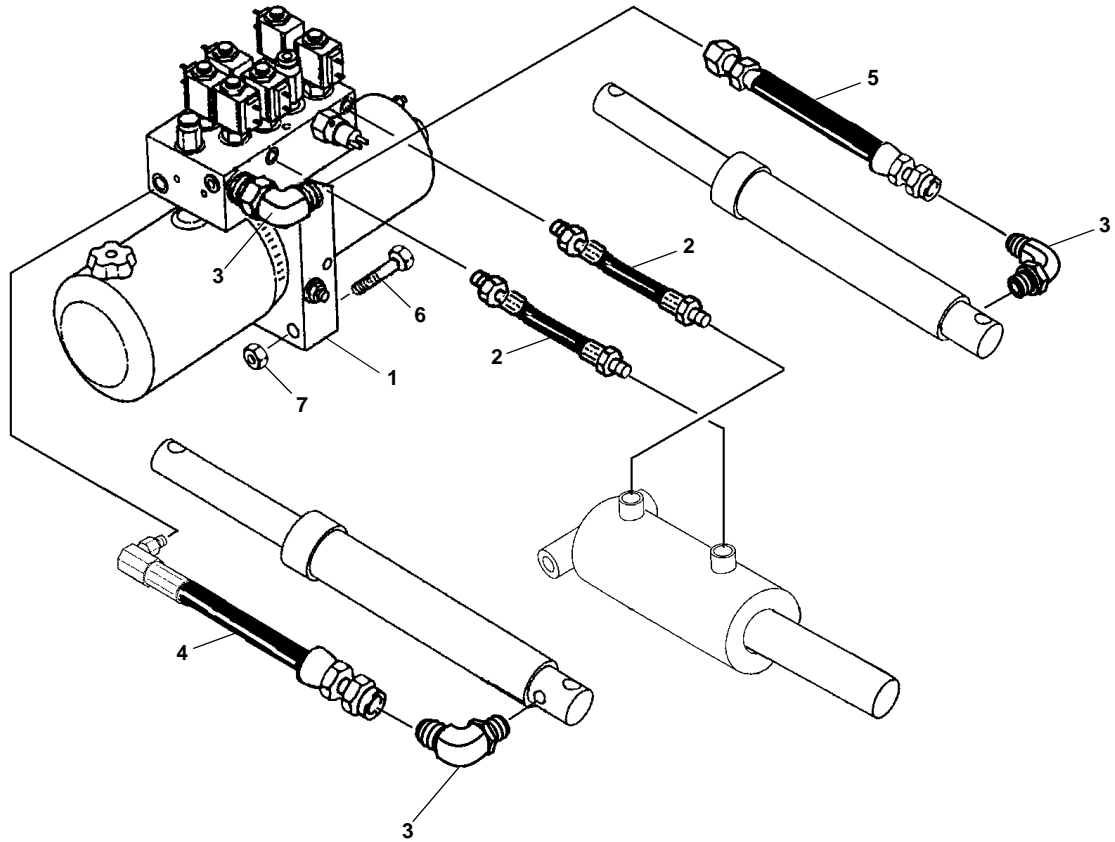
ITEM	PART NO.	DESCRIPTION	QTY
1	96112352	Kit, Guide, Blade (includes 2 Guides and Mounting Hardware)	1
2		Frame, 72"	1
		Frame, 80"	1
		Frame, 90"	1
3	97100018	Decal, Warning	2
4	96107793	Kit, Skin, Polycarbonate, 72" (includes "Sno-Way" Decal)	1
	96107794	Kit, Skin, Polycarbonate, 80" (includes "Sno-Way" Decal)	1
	96107795	Kit, Skin, Polycarbonate, 90" (includes "Sno-Way" Decal)	1
5	97100912	Decal, Sno-Way (used with Polycarbonate Blade)	1
6	96107796	Kit, Wearstrip, Steel, 72"	1
	96107797	Kit, Wearstrip, Steel, 80"	1
	96107798	Kit, Wearstrip, Steel, 90"	1
7	98009009	Nut, Hex., Nylock, 3/8"-16	9
8	98009061	Bolt, Carriage, Gr. 5, 3/8"-16 x 1-1/2"	9
9	96108011	Kit, Wearstrip, Poly, 72"	1
	96108012	Kit, Wearstrip, Poly, 80"	1
	96108013	Kit, Wearstrip, Poly, 90"	1
10	98009008	Washer, Lock, 3/8"	9
11	98009077	Nut, Hex, 3/8"-16	9
12	96001191	Assembly, Shoe	2
13		Shoe, Cast, 3/4" Shaft	1
14	98009127	Washer, Flat, 7/8"	25
15	98009169	Pin, Lynch, 1/4" x 1-9/16"	1
16	99100490	Kit, Deflector, Curled (all blades, includes Hardware)	1
17	96101257	Hardware Kit, Curled Deflector	1
18	96107463	Brkt., Shoe, 22	2

HYDRAULIC SYSTEM GRAVITY DOWN



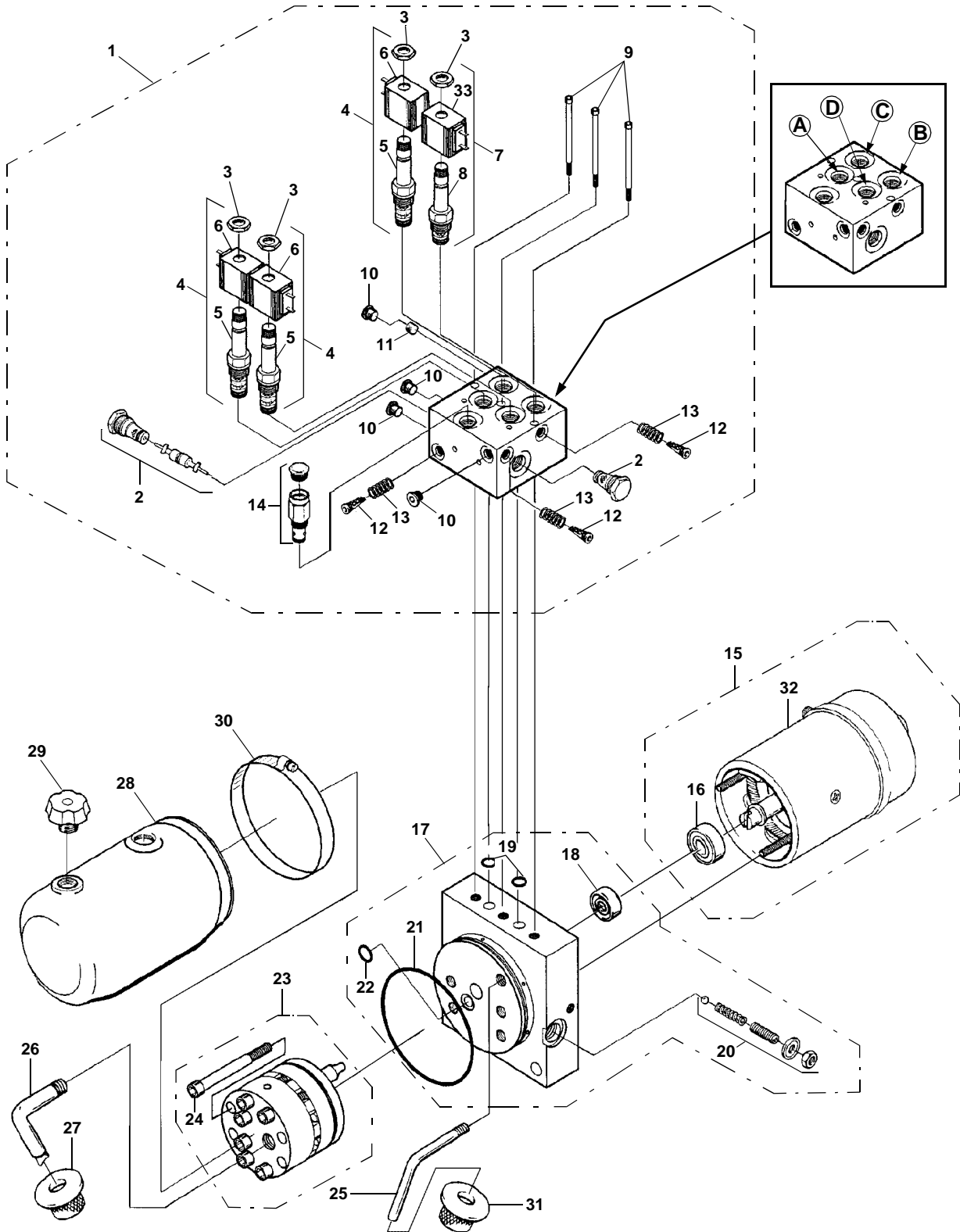
ITEM	PART NO.	DESCRIPTION	QTY
1		Power Unit, Gravity, 22 (see Page 9 for parts breakdown)	1
2	96106069	Hose, Hydraulic, 18-3/4"	1
3	96100001	Fitting, Elbow, 90 Degree.....	3
4	96106070	Hose, Hydraulic, 27-1/2"	1
5	96106071	Hose, Hydraulic, 32"	1
6	98100264	Capscrew, Hex Head, 5/16"-18 x 2-1/4"	2
7	98009150	Nylock, Hex Head, 5/16"-18.....	2

HYDRAULIC SYSTEM DOWN PRESSURE



ITEM	PART NO.	DESCRIPTION	QTY
1		Power Unit, DP, 22 (see Page 11 for parts breakdown)	1
2	96106069	Hose, Hydraulic, 18-3/4"	2
3	96100001	Fitting, Elbow, 90 Degree	3
4	96106070	Hose, Hydraulic, 27-1/2"	1
5	96106071	Hose, Hydraulic, 32"	1
6	98100264	Capscrew, Hex Head, 5/16"-18 x 2-1/4"	2
7	98009150	Nylock, Hex Head, 5/16"-18	2

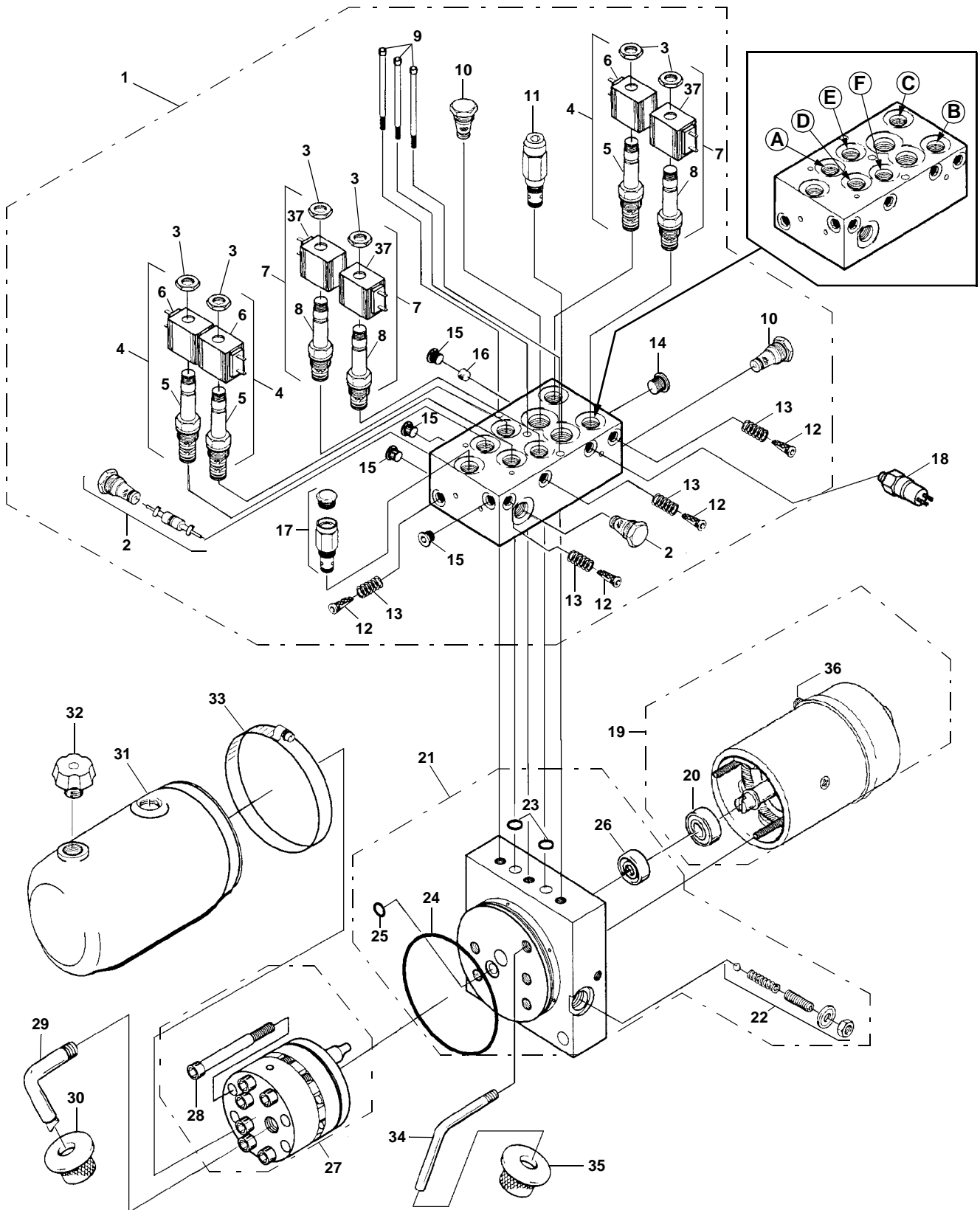
HYDRAULIC POWER UNIT GRAVITY DOWN SYSTEM



HYDRAULIC POWER UNIT GRAVITY DOWN SYSTEM

ITEM	PART NO.	DESCRIPTION	QTY
1		Valve Assembly	1
2	96106273	Valve, Check	1
3	96105275	Nut, Coil Retaining	4
4		Valve, 10V DC (Red Coil) - Use part 96108341	3
	96108341	Valve, 3-Way, 10V DC (Black Coil)	3
5		Cartridge (Red Coil) - Use part 96108341	3
	96108324	Cartridge, 3-Way (Black Coil)	3
6	96105274	Coil, 10V DC (Red)	4
	96108323	Coil, 10V DC (Black)	4
7		Valve, 10V DC (Red Coil) - Use part 96108342	1
	96108342	Valve, 2-Way, 10V DC (Blue Coil)	1
8		Cartridge (Red Coil) - Use part 96108342	1
	96108325	Cartridge, 2-Way (Blue Coil)	1
9	96105237	Screw	3
10	96105234	Fitting, Plug	4
11	96105422	Fitting, Orifice, .0468 dia.	1
	96108627	Kit, Orifice (to adjust drop rate)	1
12	96105250	Screen, Inline	3
13	96105251	Spring, Retaining.....	3
14	96105243	Valve, Relief, Cross Over	1
15	96106802	Motor, 12V DC.....	1
16		Bearing, Motor Base	1
17		Base Assembly, Pump	1
18	96105317	Seal, Shaft.....	1
19	96105314	O-Ring.....	2
20	96105313	Parts Kit, Relief Valve	1
21	96105315	O-Ring.....	1
22	96105316	O-Ring.....	1
23	96107803	Pump Assembly	1
24		Screw, Socket Head Cap	4
25	96105249	Tube, Return.....	1
26	96105246	Tube, Suction	1
27	96105245	Filter, Suction	1
28	96105241	Reservoir.....	1
29	96105244	Filler Cap.....	1
30	96105231	Clamp.....	1
31	96105318	Filter, Return	1
32	96106803	Brush, Replacement Kit	1
33	96111171	Coil, 10V DC (Blue Coil).....	1

HYDRAULIC POWER UNIT DOWN PRESSURE SYSTEM

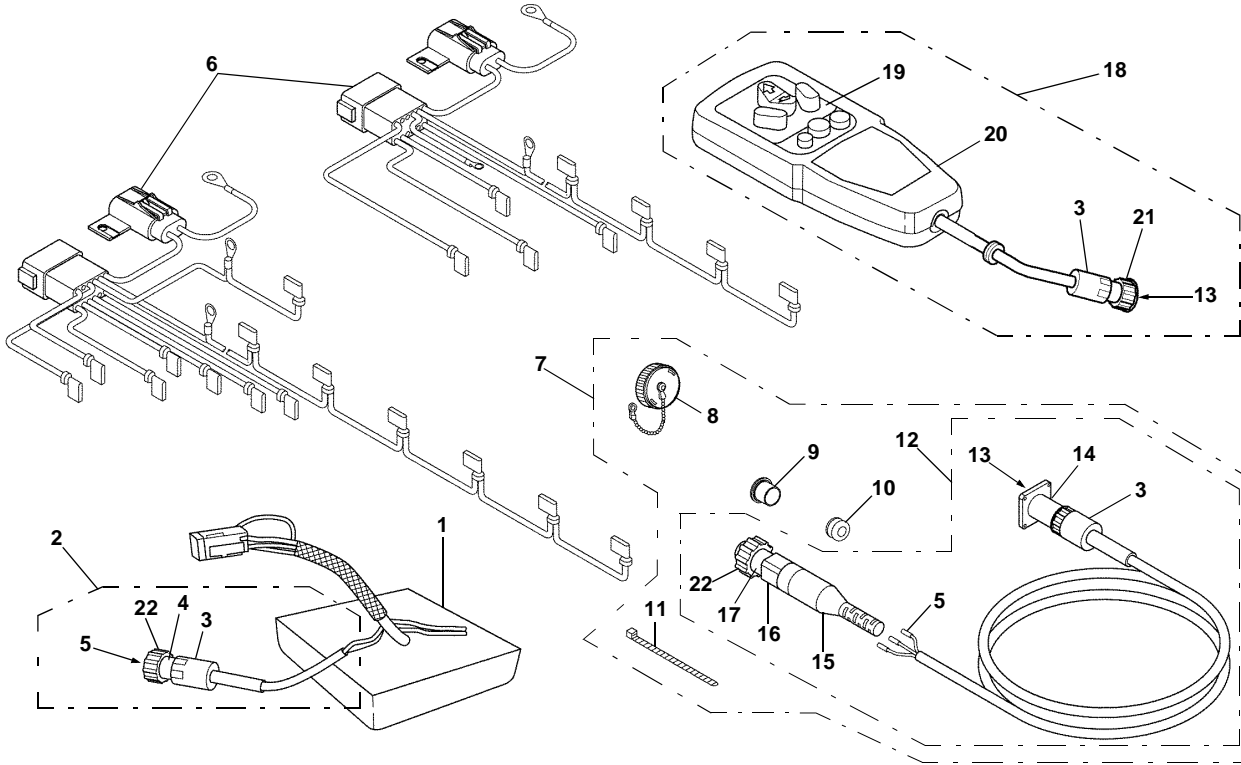


HYDRAULIC POWER UNIT DOWN PRESSURE SYSTEM

ITEM	PART NO.	DESCRIPTION	QTY
1		Valve Assembly	1
2	96106273	Valve, Check	1
3	96105275	Nut, Coil Retaining.....	6
4		Valve, 10V DC (Red Coil) - Use part 96108341	3
	96108341	Valve, 3-Way, 10V DC (Black Coil)	3
5		Cartridge (Red Coil) - Use part 96108341	3
	96108324	Cartridge, 3-Way (Black Coil)	3
6	96105274	Coil, 10V DC (Red).....	6
	96108323	Coil, 10V DC (Black).....	6
7		Valve, 10V DC (Red Coil) - Use part 96108342	3
	96108342	Valve, 2-Way, 10V DC (Blue Coil).....	3
8		Cartridge (Red Coil) - Use part 96108342	3
	96108325	Cartridge, 2-Way (Blue Coil).....	3
9	96105237	Screw.....	3
10	96105238	Valve, Check.....	2
11	96105253	Valve, Relief, Down Pressure (460-500 psi)	1
12	96105250	Screen, Inline.....	4
13	96105251	Spring, Retaining.....	4
14	96105240	Fitting, Plug.....	2
15	96105234	Fitting, Plug.....	4
16	96105422	Fitting, Orifice, .0468 dia.....	1
	96108627	Kit, Orifice (to adjust drop rate).....	1
17	96105243	Valve, Relief, Crossover (2000 psi).....	1
18	96101976	Switch, Pressure (325 psi).....	1
19	96106802	Motor, 12V DC.....	1
20		Bearing, Motor Base.....	1
21		Base Assembly, Pump.....	1
22	96105313	Parts Kit, Relief Valve	1
23	96105314	O-Ring	2
24	96105315	O-Ring	1
25	96105316	O-Ring	1
26	96105317	Seal, Shaft.....	1
27	96107803	Pump Assembly.....	1
28		Screw, Socket Head Cap.....	4
29	96105246	Tube, Suction.....	1
30	96105245	Filter.....	1
31	96105241	Reservoir	1
32	96105244	Filler Cap	1
33	96105231	Clamp	1
34	96105249	Tube, Return	1
35	96105318	Filter, Return.....	1
36	96106803	Brush Replacement Kit.....	2
37	96111171	Coil, 10V DC (Blue Coil).....	3

CONTROL SYSTEM WIRING

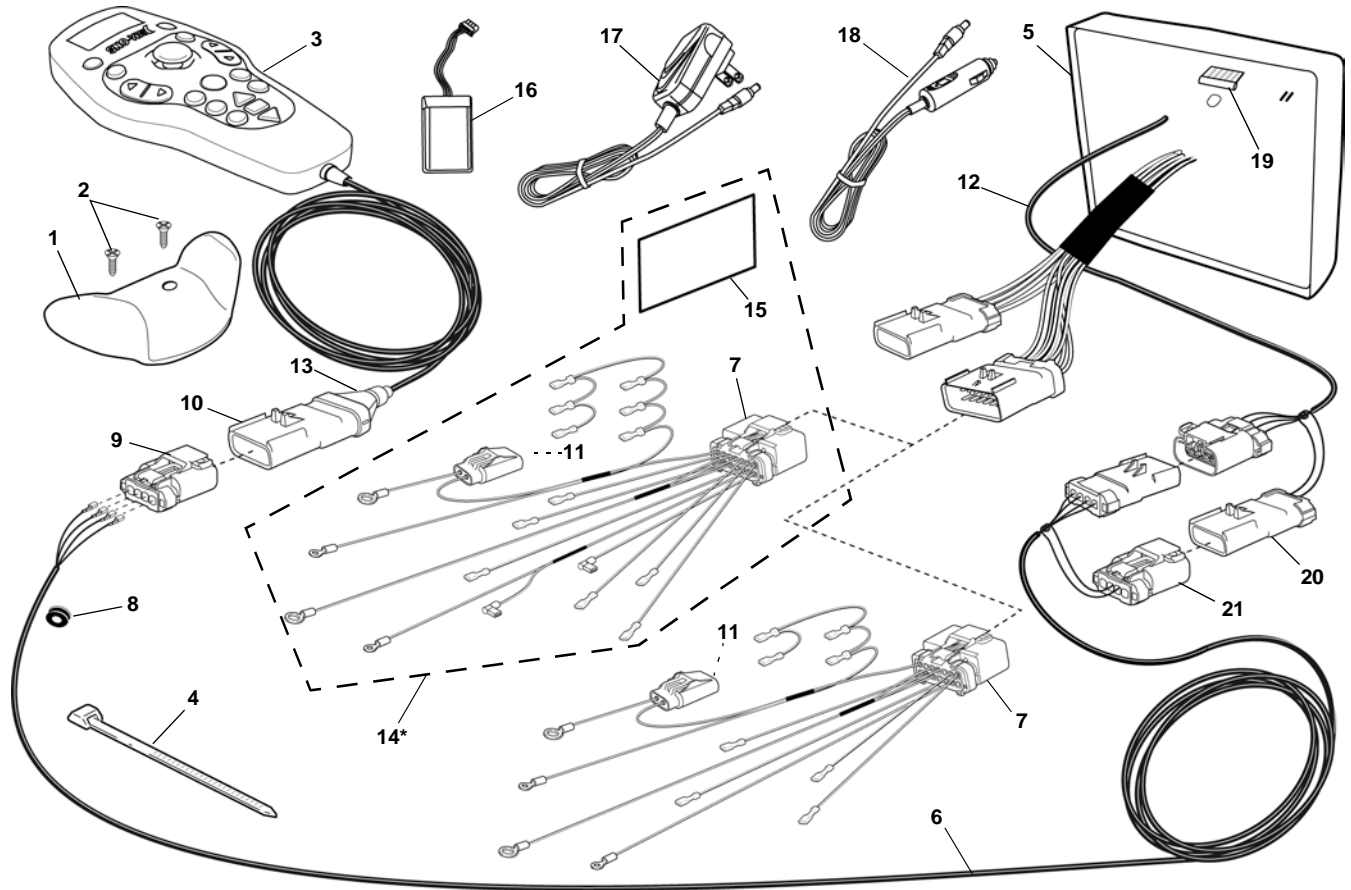
With S.N. Before: 22G100200, 22D102000



ITEM	PART NO.	DESCRIPTION	QTY
1	96105084	Module, Wired Control	1
	96107734	Module, Wireless Control	1
2	96105487	Harness Repair Kit	1
3	96105709	Clamp, Cable	3
4	96105418	Connector, Plug	1
5	96105370	Contact, Signal Socket	6
6	96105131	Harness, Solenoids - Gravity Down	1
	96108247	Harness, Solenoids - Down Pressure	1
7	96105081	Bag, Harness Controls	1
8	96105300	Cap, Screw-On	1
9	96105284	Cap, 1/2"	1
10	96104893	Grommet, 5/16" ID	1
11	96001227	Strap, Plastic Tie	5
12	96105101	Harness, Vehicle	1
13	96105416	Contact, Signal Pin	6
14	96105710	Connector, Receptacle, Flanged	1
15	96105419	Boot, Cable	1
16	96105420	Grip, Cable	1
17	96105708	Connector, Plug, Unsealed	1
18	96107354	Controller Assembly, Wired	1
	96107355	Controller Assembly, Wireless	1
19	96107356	Touch Pad, Straight Blade	1
20	96105299	Housing, Controller, Complete	1
21	96105417	Connector, Receptacle	1
22	96106533	Coupling Ring	2
23	96107382	Controller, Joystick, Str, Wired (not shown)	1
	96106472	Controller, Joystick, Str, Wireless (not shown)	1
24	96105325	Insertion Tool for Circular Connectors (not shown)	1
25	96105404	Extraction Tool for Circular Connectors (not shown)	1
26	96105877	Kit, Connector Repair (not shown) (includes: (3) #3, (1) #4, (6) #5, (6) #13, (1) #14, (1) #15, (1) #16, (1) #17, (1) #21, (1) #24, (1) #25	1

PROCONTROL SYSTEM WIRING

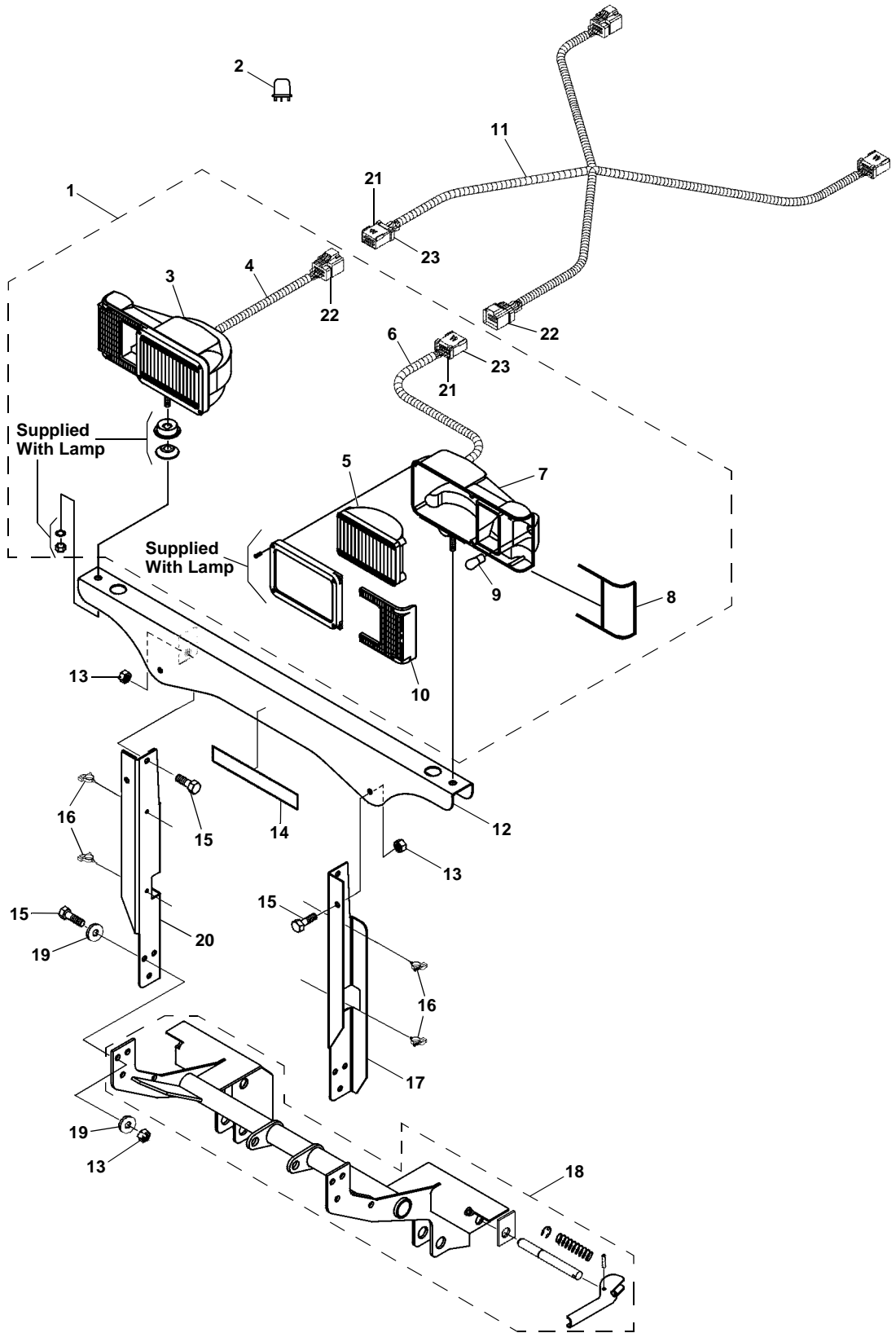
With S.N. After: 22G200000, 22D200000



ITEM	PART NO.	DESCRIPTION	QTY
1	96112259	Clip, Dash Mount.....	1
2	98100463	Screw.....	2
3	96112246	Transmitter, Wired.....	1
	96112244	Transmitter, Wireless.....	1
4	96001227	Strap, Plastic Tie.....	5
5	96112998	Module, Receiver, Wired, Universal.....	1
	96112260	Module, Receiver, Wireless, Universal.....	1
6	96112913	Harness, Vehicle.....	1
7	96112193	Harness, Control, Solenoid, Down Pressure.....	1
		Harness, Control, Solenoid, Gravity Down (Order Kit #96112955).....	1
8	96112419	Rubber Grommet.....	1
9	96112300	Connector, Female 4 Way APEX.....	1
	96108662	Terminal, Female, 18/20 AWG (Not shown).....	1
10	96112301	Connector, Male 4 Way APEX.....	1
	96108661	Terminal, Male, 18/22 AWG (Not shown).....	1
11	96112496	Fuse, 10 AMP (Not shown - In holder).....	1
12	96112931	Kit, Module Harness Repair, ProControl Wired (Not shown).....	1
13	96112840	Strain Relief.....	1
14	96112955*	Kit, Solenoid Harness, ProControl (Includes Harness, Decal & Instructions).....	1
15	97101582	Decal, DP System, ProControl/Legacy.....	1
16	96112258	Battery, Wireless.....	1
17	96113316	Wall Charger, ProControl, 120V AC.....	1
18	96112376	Car Charger, ProControl, 12V DC.....	1
19	96112985	Cap, Silicone.....	1
20	96112872	Cap, Storage, Male.....	1
21	96112871	Cap, Storage, Female.....	1

NOTE: The part descriptions above may use common industry standard abbreviations in the naming conventions.
 *Kit will upgrade Legacy (See page 17) DP or Gravity units. A ProControl system package must also be ordered to use this kit.

AUXILIARY LIGHTS

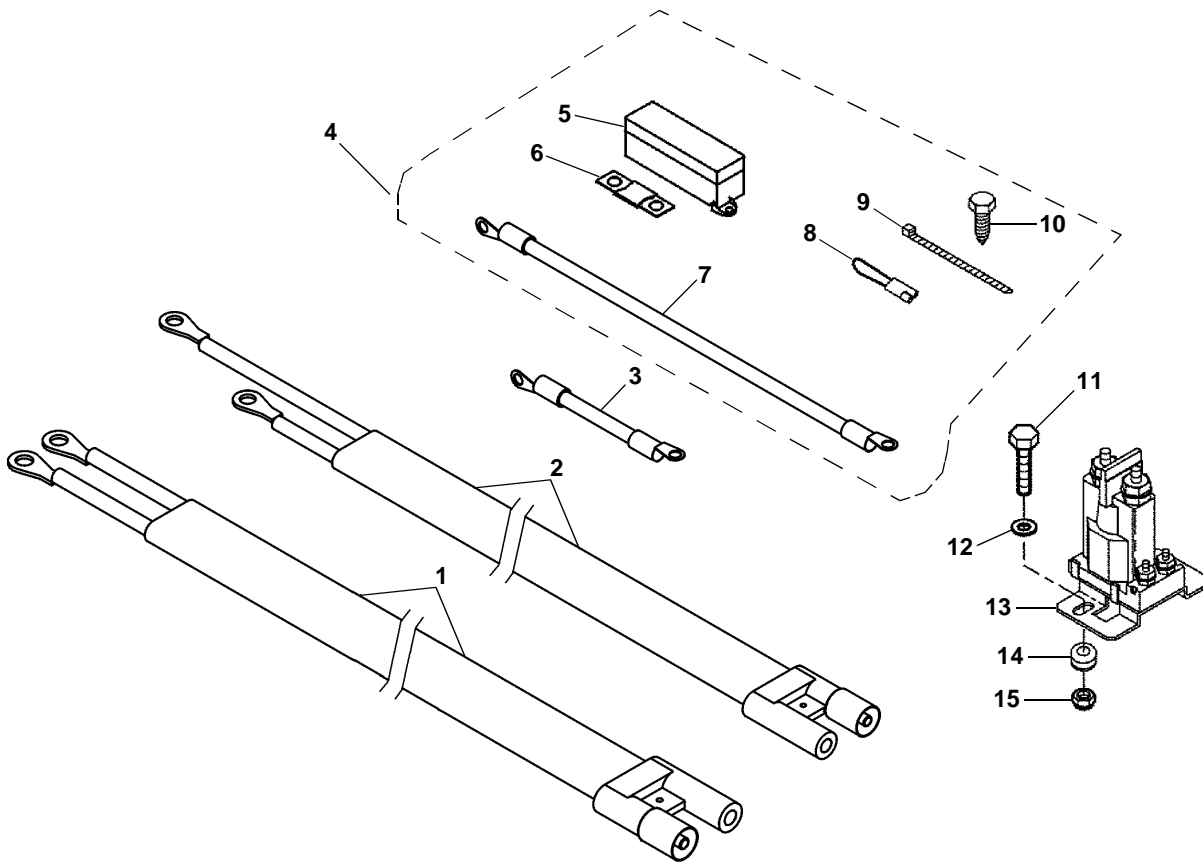


AUXILIARY LIGHTS

ITEM	PART NO.	DESCRIPTION	QTY
1	96107893	Kit, Lamp, EIS	1
2	96003010	Flasher	1
3	96107984	Light, Assembly, RH, EIS	1
4	96107986	Harness, Plow Light, RH, EIS	1
5	96100514	Lamp, Sealed Beam	2
6	96107985	Harness, Plow Light, LH, EIS.....	1
7	96107983	Light, Assembly, LH, EIS.....	1
8	96106693	Gasket, Turn Signal.....	2
9	96003060	Lamp, Park & Turn	2
10	96106692	Lens, Turn Signal	2
11	96107894	Harness, Wiring, Main Light, EIS*	1
12	96108030	Assy., Light Bar	1
13	98009009	Nut, Hex., Nylock, 3/8"-16	10
14	97100882	Decal, Sno-Way	1
15	98009022	Capscrew, Hex., 3/8"-16 x 1"	10
16	96100440	Clip, Rosebud.....	4
17	96106988	Support, LH, 22 Series	1
18	96107550	Assembly, Light/Lift Bar, Quick-Attach	1
19	98009032	Washer, Flat, 3/8".....	6
20	96106989	Support, RH, 22 Series.....	1
21	96108116	Connector, Male.....	2
22	96108117	Connector, Female.....	2
23	96108600	Clip, Secondary Lock	2

* NOTE: Adapter required. See Application Guide

POWER PACK WIRING



ITEM	PART NO.	DESCRIPTION	QTY
1	96104221	Harness, Battery Power	1
2	96104230	Harness, Plow Power	1
3	96105273	Harness, Solenoid	1
4	96105167	Bag Power Harness Parts	1
5	96109143	Fuse Holder	1
6	96109142	Fuse, 250 Amp	1
7	96102891	Cable, Power	1
8	96105082	Cap, Protective	2
9	96001227	Strap, Tie Plastic	2
10	98100037	Screw, Self Tapping, #10-16 x 1"	2
11	98009027	Capscrew, Hex, 1/4"-20 x 1"	2
12	98100254	Washer, Flat, 1/4"	2
13	96002086	Switch, Solenoid	1
14	96105282	Grommet, 3/8" ID	2
15	98100255	Nut, Hex Head Nylock, 1/4"-20	2

NOTES

NUMERICAL INDEX

PART NO.	PAGE	ITEM	PART NO.	PAGE	ITEM	PART NO.	PAGE	ITEM
96001191	6	12	96105275	10	3	96106884	4	24
96001227	13	11		12	3	96106885	4	18
	14	4	96105278	4	29	96106889	5	65
	17	9	96105282	17	14	96106893	4	27
96002086	17	13	96105284	13	9	96106894	4	27
96003010	16	2	96105299	13	20	96106903	5	66
96003060	16	9	96105300	13	8	96106958	4	16
96100001	7	3	96105313	10	20	96106986	4	46
	8	3		12	22	96106988	16	17
96100440	16	16	96105314	10	19	96106989	16	20
96100514	16	5		12	23	96107128	4	9
96101257	6	17	96105315	10	21	96107130	4	11
96101891	4	38		12	24	96107354	13	18
96101976	12	18	96105316	10	22	96107355	13	18
96102168	4	32		12	25	96107356	13	19
96102891	17	7	96105317	10	18	96107382	13	23
96104221	17	1		12	26	96107463	6	18
96104230	17	2	96105318	10	31	96107512	4	53
96104893	13	10		12	35	96107550	4	5A
96105081	13	7	96105325	13	24		16	18
96105082	17	8	96105370	13	5	96107710	5	55
96105084	13	1	96105404	13	25	96107711	4	40
96105101	13	12	96105416	13	13	96107734	13	1
96105131	13	6	96105417	13	21	96107769	4	29
96105167	17	4	96105418	13	4	96107793	6	4
96105231	10	30	96105419	13	15	96107794	6	4
	12	33	96105420	13	16	96107795	6	4
96105234	10	10	96105422	10	11	96107796	6	6
	12	15		12	16	96107797	6	6
96105237	10	9	96105487	13	2	96107798	6	6
	12	9	96105708	13	17	96107803	10	23
96105238	12	10	96105709	13	3		12	27
96105240	12	14	96105710	13	14	96107893	16	1
96105241	10	28	96105877	13	26	96107894	16	11
	12	31	96106069	7	2	96107983	16	7
96105243	10	14		8	2	96107984	16	3
	12	17	96106070	7	4	96107985	16	6
96105244	10	29		8	4	96107986	16	4
	12	32	96106071	7	5	96108011	6	9
96105245	10	27		8	5	96108012	6	9
	12	30	96106073	4	1	96108013	6	9
96105246	10	26	96106273	10	2	96108030	16	12
	12	29		12	2	96108116	16	21
96105249	10	25	96106391	5	60	96108117	16	22
	12	34	96106472	13	23	96108247	13	6
96105250	10	12	96106533	13	22	96108323	10	6
	12	12	96106605	4	39		12	6
96105251	10	13	96106692	16	10	96108324	10	5
	12	13	96106693	16	8		12	5
96105253	12	11	96106802	10	15	96108325	10	8
96105273	17	3		12	19		12	8
96105274	10	6	96106803	10	32	96108338	5	59
	12	6		12	36	96108341	10	4

NUMERICAL INDEX

PART NO.	PAGE	ITEM	PART NO.	PAGE	ITEM	PART NO.	PAGE	ITEM
	12	4	98009013	4	20			
96108342	10	7	98009022	5	70			
	12	7		16	15			
96108600	16	23	98009027	4	36			
96108627	10	11		17	11			
	12	16	98009030	5	61			
96108661	14	10	98009032	4	41			
96108662	14	9		16	19			
96108875	4	7	98009038	4	17			
96109014	4	5	98009061	6	8			
96109142	17	6	98009077	6	11			
96109143	17	5	98009078	5	63			
96109928	4	16	98009085	4	15			
96110393	4	23	98009114	4	34			
96110515	4	8	98009127	6	14			
96110951	4	52	98009150	7	7			
96111171	10	33		8	7			
	12	37	98009169	6	15			
96112193	14	7	98009197	4	28			
96112244	14	3	98019176	5	68			
96112246	14	3	98019230	5	69			
96112258	14	16	98100010	4	25			
96112259	14	1	98100037	17	10			
96112300	14	9	98100172	4	19			
96112301	14	10	98100176	4	22			
96112352	6	1	98100251	4	33			
96112376	14	18	98100254	4	37			
96112419	14	8		17	12			
96112496	14	11	98100255	4	50			
96112840	14	13		17	15			
96112871	14	21	98100264	7	6			
96112872	14	20		8	6			
96112913	14	6	98100266	5	67			
96112931	14	12	98100312	4	10			
96112955	14	14	98100313	4	12			
96112985	14	19	98100320	5	62			
96112998	14	5	98100322	4	47			
96113316	14	17	98100323	5	71			
97100001	4	51	98100324	5	54			
97100005	4	35	98100326	4	14			
97100018	6	3	98100340	5	57			
97100400	4	6	98100341	4	26			
97100876	4	48	98100390	4	21			
97100882	16	14	98100457	5	64			
97100912	6	5	98100463	14	2			
97100986	4	3	99100490	6	16			
97101087	4	4	99100953	5	72			
97101582	4	2						
	14	15						
98009008	6	10						
98009009	4	49						
	6	7						
	16	13						

SNO-WAY[®] INTERNATIONAL, INC.

SNO-WAY[®]
SNOW & ICE CONTROL EQUIPMENT

Hartford, WI 53027 USA
Website: www.snoway.com
©2010 Sno-Way[®] International